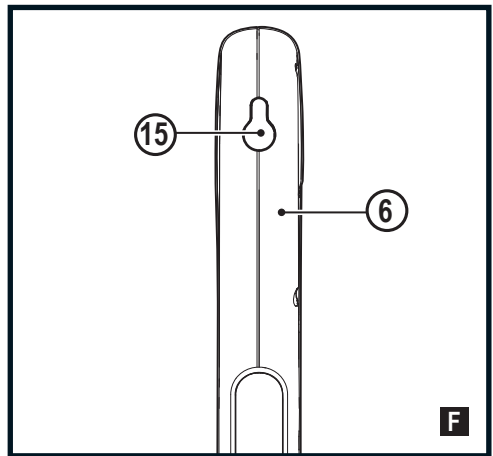
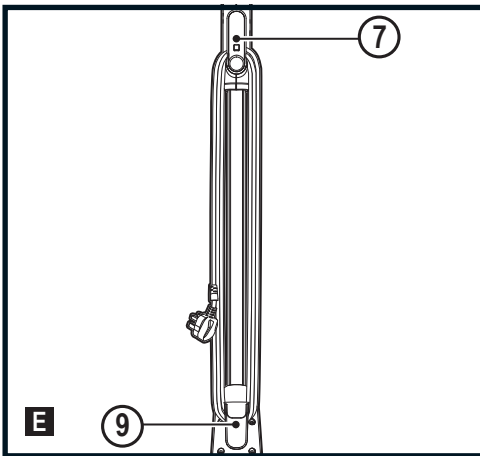
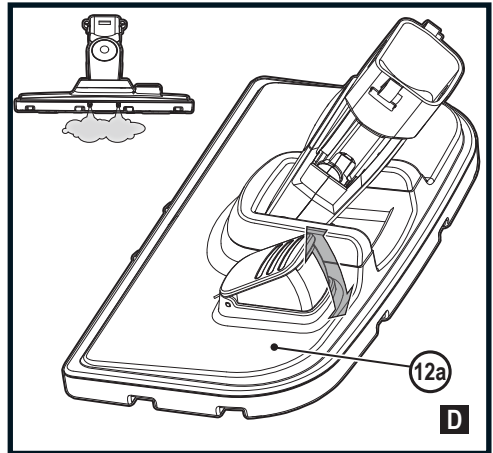
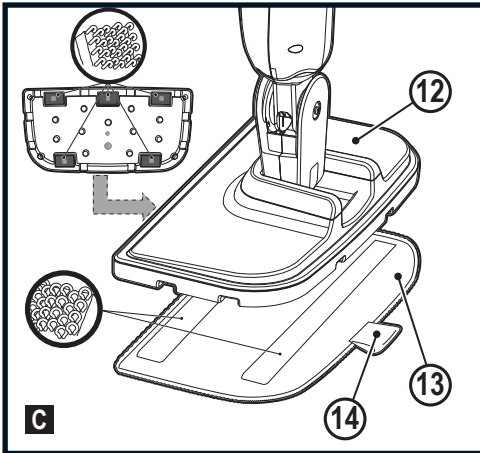
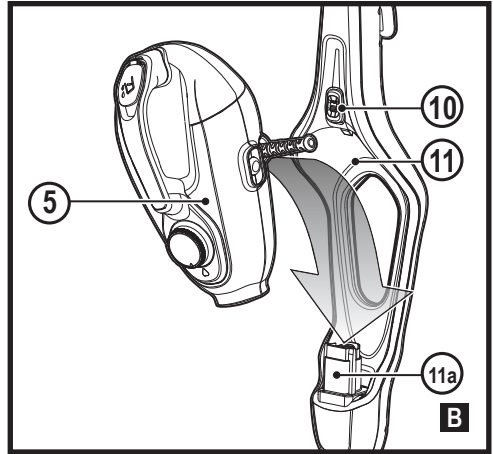
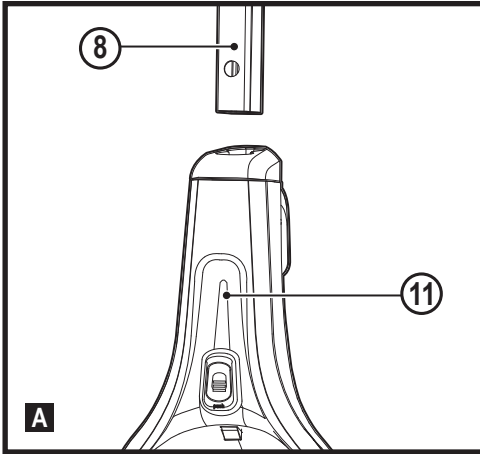
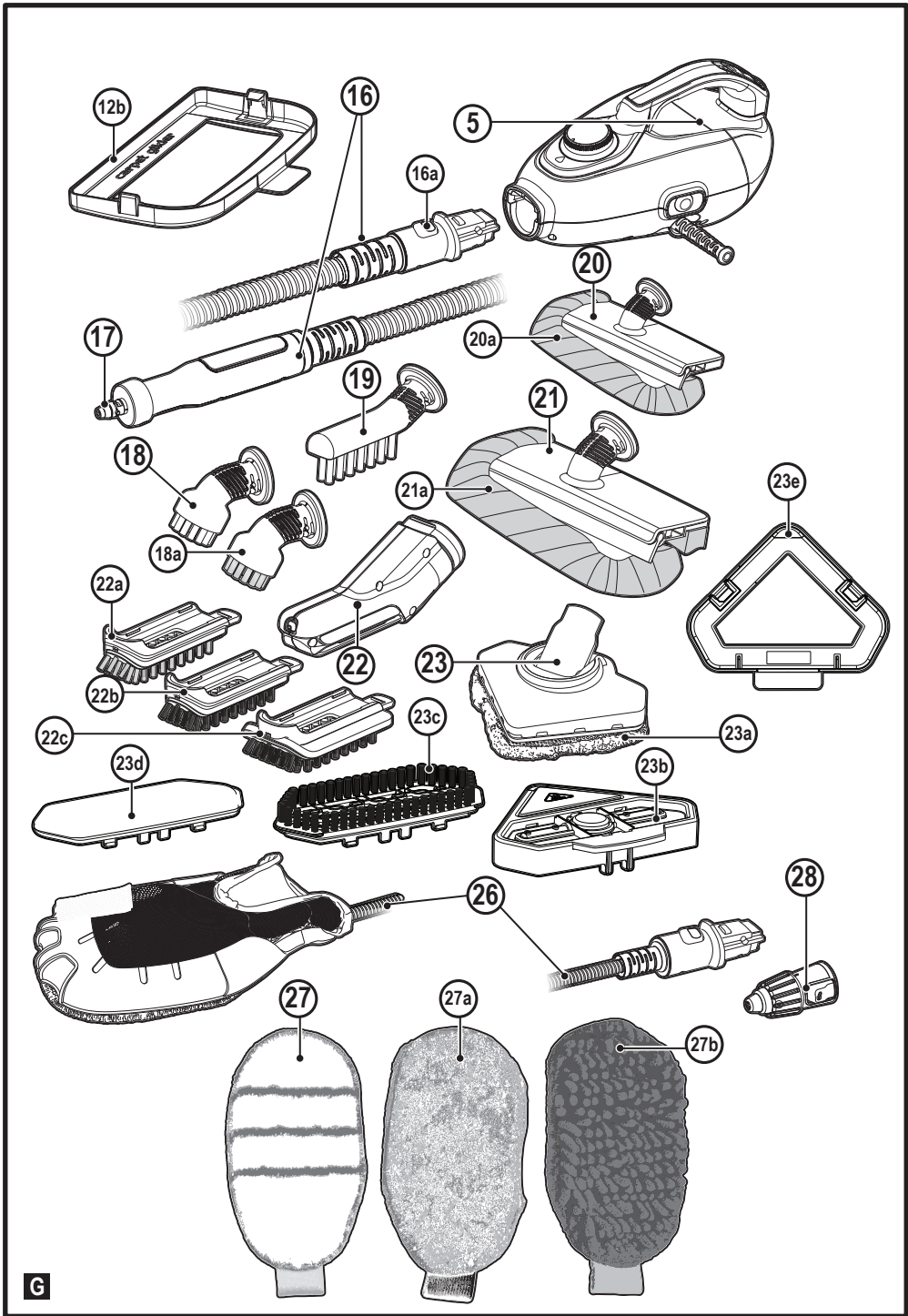
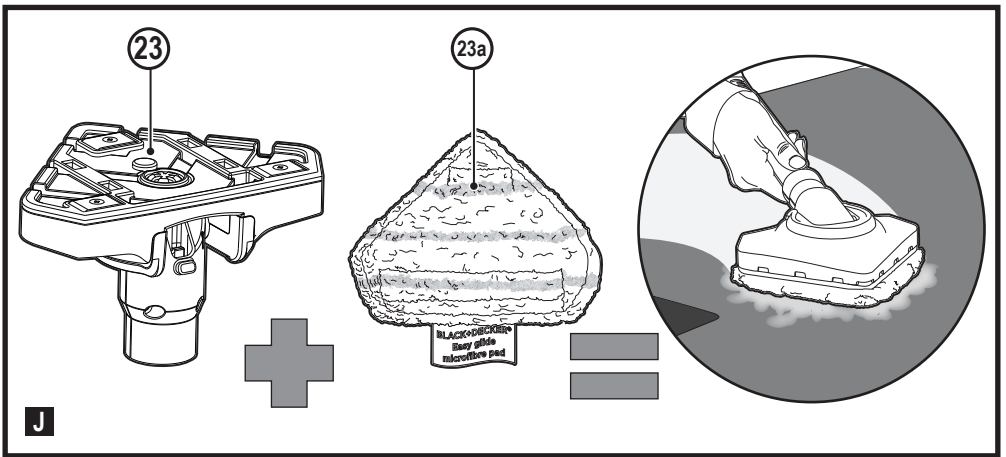
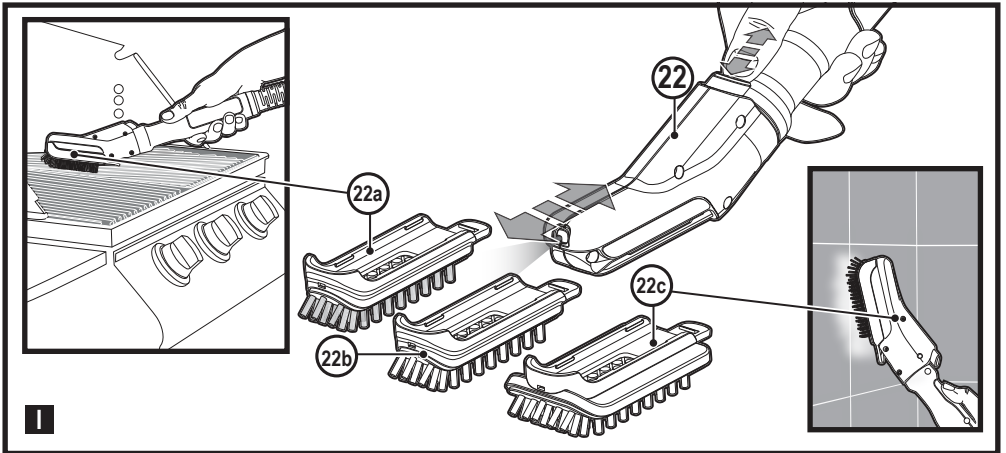
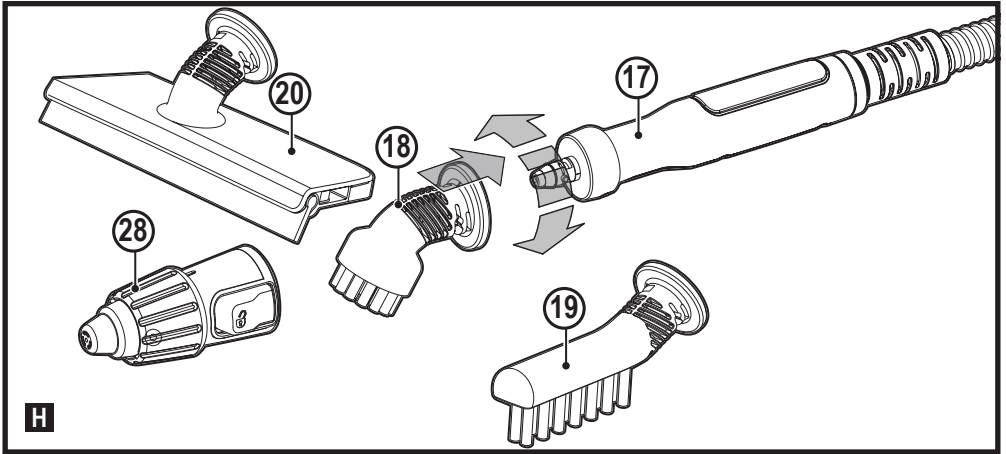


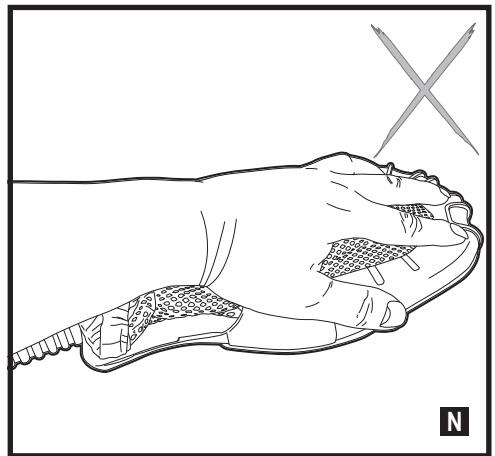
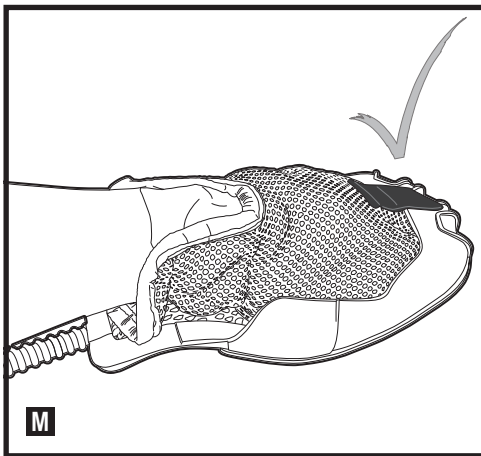
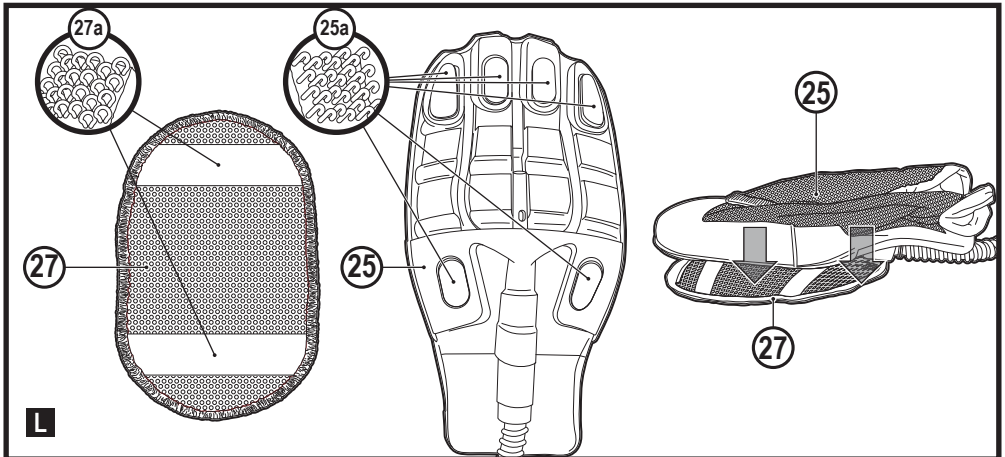
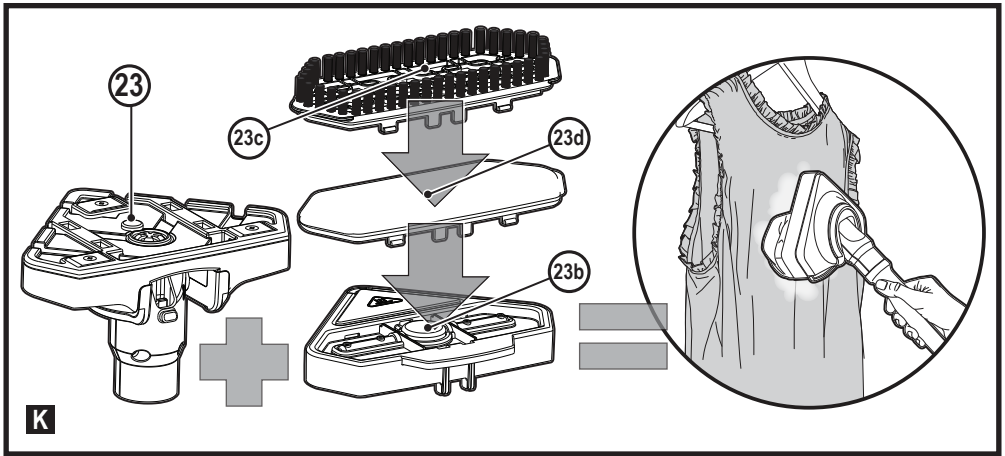
FSMH1321
FSMH1351SM
FSMH13101SM
FSMH13151SM
FSMH1321J
FSMH1321JSM
FSMH1321JMD

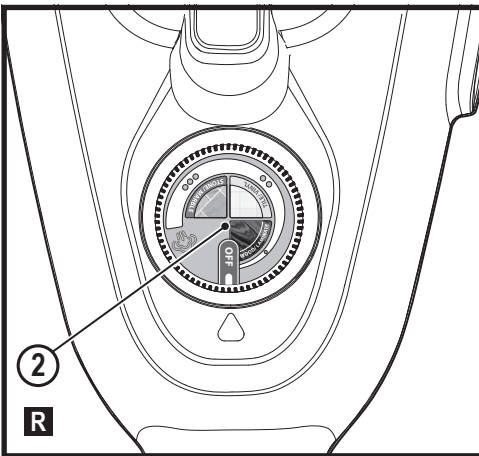
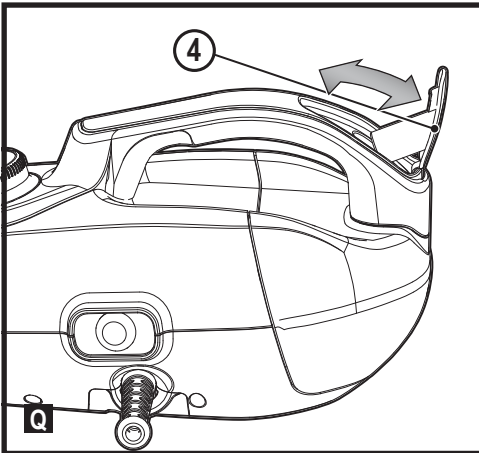
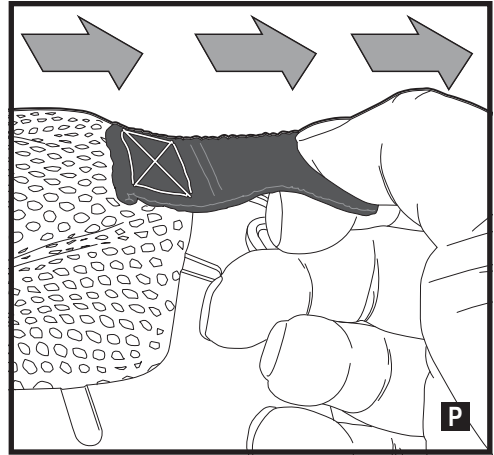
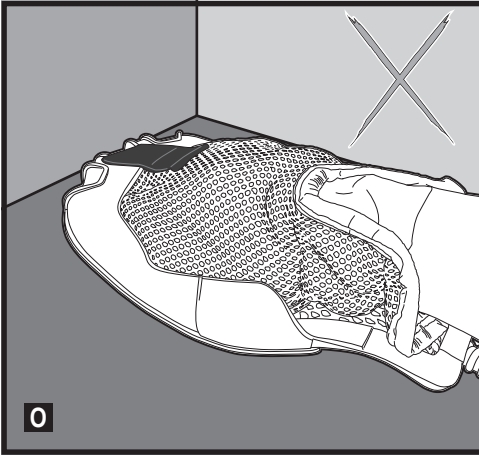




G







Intended use

Your BLACK+DECKER™ FSMH1321, FSMH1351SM, FSMH13101SM, FSMH13151SM, FSMH1321J, FSMH1321JSM, FSMH1321JMD steam mop has been designed for sanitising and cleaning sealed hardwood, sealed laminate, linoleum, vinyl, ceramic tile, stone and marble floors. This appliance is intended for indoor household use only.

Safety Instructions



Warning! Read all safety warnings and all instructions. Failure to follow the warnings and instructions listed below may result in electric shock, fire and/or serious injury.



Warning! When using mains-powered appliances, basic safety precautions, including the following, should always be followed to reduce the risk of fire, electric shock, personal injury and material damage.

- ◆ The intended use is described in this manual.

The use of any accessory or attachment or the performance of any operation with this appliance other than those recommended in this instruction manual may present a risk of personal injury.

- ◆ Retain this manual for future reference.

Using your appliance

- ◆ Do not direct steam at people, animals, electrical appliances or electrical outlets.
- ◆ Do not expose to rain.
- ◆ Do not immerse the appliance in water.
- ◆ Do not leave the appliance unattended.
- ◆ Do not leave the appliance connected to an electrical outlet when not in use.
- ◆ Never pull the power lead to disconnect the appliance from the socket. Keep the appliance lead away from heat, oil and sharp edges.
- ◆ Do not handle steam cleaner with wet hands.
- ◆ Do not pull or carry by cord, use cord as a handle, close door on cord, pull cord around sharp corners or expose cord to heated surfaces.
- ◆ Do not use appliance in an enclosed space filled with vapour given off by oil-base paint thinner, some moth-proofing substances, flammable dust, or other explosive or toxic vapours.
- ◆ Check the type of floor with the manufacturer.

- ◆ Do not use on leather, wax polished furniture or floors, synthetic fabrics, velvet or other delicate, steam-sensitive materials.



Warning! Do not use on unsealed wood or unsealed laminate floors. On surfaces that have been treated with wax or some no wax floors, the sheen may be removed by the heat and steam action. It is always recommended to test an isolated area of the surface to be cleaned before proceeding. We also recommend that you check the use and care instructions from the floor manufacturer.

- ◆ Never put descaling, aromatic, alcoholic or detergent products into the steam cleaner, as this may damage it or make it unsafe for use.
- ◆ If the home circuit breaker activates while using the steam function, discontinue product use immediately and contact the customer support centre. (Beware of the risk of electrical shock.)
- ◆ The appliance emits very hot steam to sanitize the area of use. This means that the steam head, cleaning pads and carpet attachment get very hot during use.

Caution! Always wear suitable shoes when using your steam mop and when changing the accessories on your steam mop. Do not wear slippers or open toed footwear.

- ◆ The lid may become hot during use.
- ◆ Steam may escape from the appliance during use.

Care should be taken when using this appliance. DO NOT touch any parts which may become hot during use.

- ◆ Switch the appliance off and return the handle to the upright position before removing the water tank.
- ◆ If steam is observed escaping from the body of the hand held steam cleaner, switch off and disconnect the unit from the mains supply, allow to cool. Contact your nearest authorised repair agent. Do not continue to use the appliance.

After use

- ◆ Unplug the appliance and allow to cool before cleaning.
- ◆ When not in use, the appliance should be stored in a dry place.
- ◆ Children should not have access to stored appliances.

Inspection and repairs

- ◆ Unplug the appliance and allow to cool before performing any maintenance or repairs.
- ◆ Before use, check the appliance for damaged or defective parts. Check for breakage of parts, damage to switches and any other conditions that may affect its operation.
- ◆ Regularly check the power lead for damage.
- ◆ Do not use the appliance if any part is damaged or defective.

- ◆ Have any damaged or defective parts repaired or replaced by an authorized repair agent.
- ◆ Never attempt to remove or replace any parts other than those specified in this manual.

Safety of others

- ◆ This appliance can be used by children aged from 8 years and above and persons with reduced physical, sensory or mental capabilities or lack of experience and knowledge if they have been given supervision or instruction concerning use of the appliance in a safe way and understand the hazards involved. Children shall not play with the appliance. Cleaning and user maintenance shall not be made by children without supervision.
- ◆ Children should be supervised to ensure that they do not play with the appliance.

Residual risks

Additional residual risks may arise when using the tool which may not be included in the enclosed safety warnings. These risks can arise from misuse, prolonged use etc.

Even with the application of the relevant safety regulations and the implementation of safety devices, certain residual risks can not be avoided. These include:

- ◆ Injuries caused by touching any moving parts.

- ◆ Injuries caused by touching any hot parts.
- ◆ Injuries caused when changing any parts or accessories.
- ◆ Injuries caused by prolonged use of the appliance. When using any appliance for prolonged periods ensure you take regular breaks.



Steam escapes from all sides



Do not leave unsupervised with young children



Wash at 60°C. Do not use bleach or fabric softener



Caution! Hot surface

Electrical safety



Warning! This product must be earthed. Always check that the power supply corresponds to the voltage on the rating plate.

Power plugs must match the outlet.

Never modify the plug in any way.

Unmodified plugs and matching outlets will reduce risk of electric shock.

- ◆ If the supply cord is damaged, it must be replaced by the manufacturer or an authorised BLACK+DECKER Service Centre in order to avoid a hazard.

Extension cables & Class 1 product

- ◆ A 3-core cable must be used as your appliance is earthed and of Class 1 construction.
- ◆ Up to 30m (100 ft) can be used without loss of power.

Labels on appliance

The following pictograms along with the date code are shown on the appliance.



CAUTION Hot Steam.
Danger of scalding.



Water dripping when used upside down

Features

This appliance includes some or all of the following features.

1. On/off switch
2. Autoselect™ dial
3. Hand held steam unit handle
4. Filler cap
5. Hand held steam unit
6. Hand grip
7. Top cable tidy hook
8. Main handle
9. Bottom cable tidy hook
10. Hand held steam unit release button
11. Main body
12. Floor cleaning head
- 12a. Steam burst floor cleaning head
- 12b. Carpet glider
(for use on carpets)
13. Floor cleaning pad
14. Floor cleaning pad release tab
15. Hanging Bracket
16. Steam hose
17. Steam nozzle
18. Angle brush accessory
(for use on hard to remove stains)
- 18a. Angle brush BBQ (wire brush)
19. Brush accessory
(for use on tiles / grout)
20. Squeegee accessory
(for use on shower screens / glass / mirrors / clothing / upholstery)
- 20a. Squeegee sock
21. Large squeegee accessory
(for use on shower screens / glass / mirrors / clothing / upholstery)

- 21a. Large squeegee sock
- 22. Steam burst brush unit
- 22a. Steam burst wire brush
(for use on BBQ / ovens)
- 22b. Steam burst brush
(for use on BBQ / ovens / oven hobs / taps / grout)
- 22c. Steam burst wide brush
(for use on larger work surfaces)
- 23. Delta head
(for use on clothing / upholstery / larger work surfaces)
- 23a. Flat surface cleaning pad
- 23b. Garment steaming interface
(for use on clothing / upholstery)
- 23c. Garment steaming brush
(for use on clothing / upholstery)
- 23d. Garment steaming pad
(for use on clothing / upholstery)
- 23e. Delta head carpet glider
- 25. SteaMitt™
- 26. SteaMitt™ hose
- 27. SteaMitt™ cleaning pad
- 27a. SteaMitt™ cleaning pad 2
- 27b. SteaMitt™ cleaning pad 3
- 28. Adjustable nozzle

	F S M H 1 3 2 1	F S M H 1 3 5 1 S M	F S M H 1 3 1 0 1 S M	F S M H 1 3 1 5 1 S M	F S M H 1 3 2 1 J	F S M H 1 3 2 1 J S M	F S M H 1 3 2 1 J M D	Recommended Steam Settings
23c							✓	•
23d							✓	•
23e							✓	•
25		✓	✓	✓		✓	✓	•
26		✓	✓	✓		✓	✓	•
27		✓	✓	✓		✓	✓	•
27a							✓	•
27b							✓	•
28				✓	✓	✓	✓	All

Configuration

	F S M H 1 3 2 1	F S M H 1 3 5 1 S M	F S M H 1 3 1 0 1 S M	F S M H 1 3 1 5 1 S M	F S M H 1 3 2 1 J	F S M H 1 3 2 1 J S M	F S M H 1 3 2 1 J M D	Recommended Steam Settings
12	✓	✓	✓	✓	✓	✓	✓	All
12a			✓	✓	✓	✓	✓	All
12b				✓	✓	✓	✓	All
13	✓	✓	✓	✓	✓	✓	✓	All
16	✓	✓	✓	✓	✓	✓	✓	All
18	✓	✓		✓	✓	✓		All
18a					✓	✓		All
19	✓	✓			✓	✓		All
20	✓	✓	✓	✓				•
20a	✓	✓	✓	✓				•
21					✓	✓	✓	•
21a					✓	✓	✓	•
22			✓	✓				All
22a			✓	✓				All
22b			✓	✓				All
22c			✓	✓				All
23							✓	All
23a							✓	All
23b							✓	•

Assembly



Warning! Before attempting any of the following instructions, make sure that the appliance is switched off and unplugged and the appliance is cold and does not contain any water.

Attaching the handle (Fig. A)

- ◆ Slide the bottom end of the handle (8) into the top end of the steam mop body (11) until it clicks into place.

Attaching the hand held steam cleaner (Fig. B)

- ◆ Holding the back of the steam mop body (11) push the hand held steam cleaner (5) firmly into the steam mop body (11) making sure it sits correctly over the interface (11a) and clicks securely into place.

Removing the hand held steam cleaner (Fig. B)

- ◆ Push the release button (10) on the main body (11) and lift the hand held steam cleaner (5) off the interface (11a) and away from the main body (11).

Attaching a cleaning pad (Fig. C)

Replacement cleaning pads are available from your BLACK+DECKER dealer :- (cat no. FSMP20-XJ).

- ◆ Place a cleaning pad (13) on the floor with the velcro 'loop' side facing up.
- ◆ Lightly press the steam mop down onto the cleaning pad (13).

Note: This unit may be supplied with a standard floor cleaning head (12) or a steam burst cleaning head (12a). In either case use these instructions to fit a cleaning pad.

Caution! Never leave the steam mop in one spot on any surface for any period of time. Always place the steam mop with the handle (8) supported in the upright position when stationary and make sure the steam mop is turned off when

stationary and make sure the steam mop is turned off when not in use.

Removing a cleaning pad

Caution! Always wear suitable shoes when changing the cleaning pad on your steam mop.

Do not wear slippers or open toed footwear.

- ◆ Return the handle (8) to the upright position and turn the steam mop 'OFF'.
- ◆ Wait until the steam mop cools down (approximately 5 minutes).
- ◆ Lift the steam mop away from the cleaning pad freeing it from the velcro fastening.

Caution! Never leave the steam mop in one spot on any surface for any period of time.

Always place the steam mop with the handle (8) supported in the upright position when stationary and make sure the steam mop is turned off when not in use.

Filling the water tank (Fig. Q)

Note! Fill the water tank with clean tap water (Do not use any additives or chemicals).

Note! In areas of hard water, the use of de-ionised water is recommended.

- ◆ Open the filler cap (4) by flipping it up.
- ◆ Fill the water tank with water (Do not use any additives or chemicals).

Warning! When filling, detach from main unit and maintain in a horizontal position.

Warning! Your water tank has a 0.5 litre capacity. Do not over fill the tank.

- ◆ Close the filler cap (4).

Note! Ensure the filler cap is firmly secured.

Attaching the carpet glider (12b) (For use on carpets only)

- ◆ Place the carpet glider (12b) on the floor.
- ◆ Attach a cleaning pad to the floor cleaning head (12)
- ◆ Lightly press the steam mop down onto the carpet glider (12b) until it clicks into place.

Caution! Never leave the steam mop in one spot on any surface for any period of time. Always place the steam mop with the handle (8) supported in the upright position when stationary and make sure the steam mop is turned off when not in use.

Removing the carpet glider

Caution! Always wear suitable shoes when changing the carpet glider on your steam mop. Do not wear slippers or open toed footwear.

- ◆ Return the handle (8) to the upright position and turn the steam mop 'OFF'.

- ◆ Wait until the steam mop cools down (approximately 5 minutes).
- ◆ Place the front of your shoe onto the carpet glider removal tab and press down firmly.
- ◆ Lift the steam mop up and off the carpet glider.

Caution! Never leave the steam mop in one spot on any surface for any period of time. Always place the steam mop with the handle (8) supported in the upright position when stationary and make sure the steam mop is turned off when not in use.

Attaching the hose and accessories to the hand held steam cleaner (Fig. G - O)

Warning! Inspect the seal between the connection point on the hand held steam cleaner (5) and the steam hose (16) before each use. If the seal malfunctions or is damaged, please contact your nearest authorised repair agent. Do not use the appliance.

Warning! The unit should be switched off before the hose is fitted.

Attaching the hose

- ◆ Press the steam hose release button (16a) on the steam hose (16).
- ◆ Connect the steam hose (16) to the hand held steam cleaner (5) and release the steam hose release button (16a) making sure it clicks into place.

Important! Ensure that the steam hose (16) is securely connected to the hand held steam cleaner (5). If steam escapes from the joint, the hose is incorrectly fitted. Switch off, allow the unit to cool then remove and refit the hose.

Attaching accessories (Fig H)

- ◆ Align the lugs on the steam nozzle (17) with the recesses on the accessory.
- ◆ Press the accessory onto the steam nozzle (17) and twist anti-clockwise until the accessory clicks into place.

Important! All accessories, apart from the SteaMitt™ (25) which has its own hose and connector (26), must be attached to the steam hose (16) for use.

Removing the hose and accessories

Warning! The steam hose (16), Steam nozzle (17) and accessories become hot during use. Allow the unit and all accessories to cool before attempting to remove.

Removing an accessory

- ◆ Twist the accessory clockwise then pull away from the hose (16).

Removing the hose

- ◆ Press the steam hose release button (16a) on the steam hose (16) and pull away from the hand held steam unit.

SteaMitt™

Your BLACK+DECKER™ SteaMitt™ has been designed for sanitising and cleaning tiles, work tops, kitchen surfaces and bathroom surfaces. This appliance is intended for indoor household use only.

Attaching the SteaMitt™ hose to the hand held steam unit

Warning! Inspect the seal on the steam nozzle and hose before each use. If the seal is missing or damaged then please contact your nearest authorised repair agent. **Do not use the appliance.** Inspect the seal on the SteaMitt™ and hose. If the seal is missing, damaged or any steam is escaping then please contact your nearest authorised repair agent. **Do not use the appliance.** Ensure there is no blockage or impedance in the SteaMitt™ hose or attachment hose. If any are detected then please contact your nearest authorised repair agent. **Do not use the appliance.**

Fitting a cleaning pad to the SteaMitt™ (Fig. L)

Warning! Ensure there is no blockage or impedance in the steam release vents. If any are detected then please contact your nearest authorised repair agent. **Do not use the appliance.**

- ◆ Fit the cleaning pad (27) to the SteaMitt™ (25) by attaching the 'loop' velcro strips (27a) on the upper side of the cleaning pad, to the 'hook' velcro pads (25a) on the underside of the SteaMitt™ (4). Press down firmly.

Warning! The SteaMitt™ should not be used without fitting a cleaning pad.

Note: The SteaMitt™ accommodates 4 types of cleaning pads of varying thickness. Scouring pad (for use on tough stains and non delicate surfaces), Bathroom pad (for use on taps and other moulded bathroom surfaces), Standard pad (for use on all larger surfaces) and Polishing pad (for use on delicate surfaces).

- ⚠ **Warning!** Always use the SteaMitt™ as shown in figure M, with your hand inside the protective glove.
- ⚠ **Warning!** Never attempt to use the SteaMitt™ by gripping it externally as shown in figure N. This will result in scalding.
- ⚠ **Warning!** Avoid using the SteaMitt™ in tight corners as shown in figure O.
- ⚠ **Warning!** Should a problem occur during use, use the quick release tab to quickly remove the SteaMitt™ from your hand as shown in figure P.
- ⚠ **Warning!** Do not use the SteaMitt™ on cold glass, such as windows as damage may be caused by the sudden change in temperature.
- ⚠ **Warning!** Never point or direct the mitt at yourself or any other person.

Note: It is recommended that the SteaMitt be used in setting 1 to avoid the pad becoming too wet.

Use

Important! This unit will kill 99.9% of bacteria and germs when used in accordance with the instructions in this manual and with the micro fibre pads fitted and a continuous run time of 90 seconds.

Switching on and off

- ◆ To switch the appliance on, press the ON/Off switch (1). It takes approximately 15 seconds for the steam mop to heat up.
- ◆ To switch the appliance off, press the ON/Off switch (1).

Note: always have your hand inside the SteaMitt™ before you press the steam button.

Caution! Never leave the steam mop in one spot on any surface for any period of time.

Always place the steam mop with the handle (8) supported in the upright position when stationary and make sure the steam mop is turned off when not in use.




Caution! Always empty the steam mop after use.

Note! When first filled or after running dry, it can take up to 45 seconds for steam to be produced.

Autoselect™ Technology (Fig. R)

This steam mop is fitted with an Autoselect™ dial (2) which shows various cleaning applications. They are used to select the correct operating mode for your particular cleaning operation.

Using Autoselect™, choose from one of the following applications by turning the Autoselect™ dial (2) until the required setting is selected.

Setting	Mop	Hand held
	Wood/Laminate	Low steam flow ●
	Tiles/Vinyl	Medium steam flow ● ●
	Stone/Marble	High steam flow ● ● ●

The steam mop will select the correct volume of steam required for your particular cleaning operation.

Note: Always check you are using the correct setting before using your steam mop.

Steam Burst (Fig. C1) (only available with units FSMH1310SM, FSMH13151SM, FSMH1321J, FSMH1321JMD, FSMH1321JSM)

The floor head (12a) is equipped with a steam burst pedal to aid in the removal of stubborn marks and stains.

- ◆ During use, press the steam burst pedal to apply extra cleaning power.
- ◆ To revert back to normal setting press the pedal again.

Hints for optimum use

General

Caution: Never use the steam mop without first attaching a cleaning pad.

- ◆ Always vacuum or sweep the floor before using the steam mop.
- ◆ The easiest way to use the appliance is to tilt the handle to a 45° angle and clean slowly, covering a small area at a time.
- ◆ Use water only with no additives or chemicals with your steam mop. To remove stubborn stains from vinyl or linoleum floors, you can pre-treat with a mild detergent and some water before using the steam mop.

Steam Cleaning with the mop

- ◆ Fit hand held steam cleaner (5) to the steam mop body (11)
- ◆ Place a cleaning pad (13) on the floor with the velcro 'loop' side facing up.
- ◆ Lightly press the steam mop down onto the cleaning pad (13).
- ◆ Connect the steam mop to the mains.
- ◆ Press the ON/OFF button (1). It takes approximately 15 seconds for the steam mop to heat up.
- ◆ Turn the Autoselect™ dial (2) until the required setting is reached. After a few seconds steam will start to come out of the steam head.

Note! When first filled or after running dry, it can take up to 45 seconds for steam to be produced.

- ◆ It takes a few seconds for steam to enter the cleaning pad. The steam mop will now glide easily over the surface to be sanitized/cleaned.
- ◆ Push and pull the steam mop slowly across the surface to thoroughly steam clean each section.
- ◆ When you have finished using the steam mop, return the handle (8) to the upright position, making sure that it is supported and turn it 'OFF'. Wait until the steam mop cools down (approximately five minutes).

Caution! It is important to monitor the water level in the water tank. To refill the water tank and continue to sanitize/clean stand the mop upright making sure that the handle is supported and turn the steam mop 'OFF'. Unplug the unit from the electrical wall outlet, and refill the water tank.

Caution! Never leave the steam mop in one spot on any surface for any period of time. Always place the steam mop with the handle (8) supported in the upright position when stationary and make sure the steam mop is turned off when not in use.

Carpet refreshing

- ◆ Place a cleaning pad (13) on the floor with the 'loop' side facing up.
- ◆ lightly press the steam mop down onto the cleaning pad.
- ◆ Place the carpet glider (12b) on the floor.
- ◆ Lightly press the steam mop down onto the carpet glider until it clicks into place.
- ◆ Connect the steam mop to the mains.
- ◆ Press the ON/OFF button (1). It takes approximately 15 seconds for the steam mop to heat up.
- ◆ Turn the Autoselect™ dial (2) to the Wood/Laminate setting.
- ◆ Push and pull the steam mop slowly across the carpet to thoroughly refresh each section.
- ◆ When you have finished using the steam mop, return the handle (8) to the upright position and turn the unit OFF. Wait until the steam mop cools down (approximately five minutes).

After use

- ◆ Turn the Autoselect™ dial (2) to the OFF position.
- ◆ Wait until the steam mop cools down.
- ◆ Unplug the steam mop from the electrical wall outlet.
- ◆ Empty the water tank.
- ◆ remove the cleaning pad (13) and wash it ready for next use (take care to follow the wash care instructions printed on the cleaning pad).
- ◆ Wrap the supply cable around the cable tidy hooks (7 and 9).
- ◆ There is a hanging bracket (15) built into the hand grip (6) which allows your steam mop to be hung from a suitable hook on the wall. Always ensure that your wall hook is capable of supporting the weight of the steam mop safely.

Hand held steam cleaning

Warning! ! Maintain the unit in a horizontal position during use.

- ◆ Attach the required accessory.
- ◆ Connect the hand held steam cleaner to the mains.
- ◆ Press the ON/OFF button (1). It takes approximately 15 seconds for the steam mop to heat up.
- ◆ Turn the Autoselect™ dial (2) until the required setting is reached. After a few seconds steam will start to come out of the steam head.

Note! When first filled or after running dry, it can take up to 45 seconds for steam to be produced.

- ◆ When you have finished using the hand held steam cleaner turn the Autoselect™ dial (2) to the OFF position. Turn the unit OFF by pressing the ON/OFF button (1) and disconnect from the mains supply. Wait until the unit cools down before storing (approximately five minutes).

Accessories

The performance of your appliance depends on the accessory used. BLACK+DECKER accessories are engineered to high quality standards and designed to enhance the performance of your appliance. By using these accessories you will get the very best from your equipment.

Technical Data

FSMH1321		
Voltage	V _{ac}	230
Power	W	1300
Tank Capacity	ml	500
Weight	kg	2.7

FSMH1351SM		
Voltage	V _{ac}	230
Power	W	1300
Tank Capacity	ml	500
Weight	kg	2.7

FSMH13101SM		
Voltage	V _{ac}	230
Power	W	1300
Tank Capacity	ml	500
Weight	kg	2.8

FSMH13151SM		
Voltage	V _{ac}	230
Power	W	1300
Tank Capacity	ml	500
Weight	kg	2.8

FSMH1321J		
Voltage	V _{ac}	230
Power	W	1300
Tank Capacity	ml	500
Weight	kg	2.7

FSMH1321JSM		
Voltage	V _{ac}	230
Power	W	1300
Tank Capacity	ml	500
Weight	kg	2.8

FSMH1321JMD		
Voltage	V _{ac}	230
Power	W	1300
Tank Capacity	ml	500
Weight	kg	2.8

Troubleshooting

If your appliance seems not to operate properly, follow the instructions below. If this does not solve the problem, please contact your local BLACK+DECKER repair agent.

Problem	Step	Possible solution
The steam mop is not turning on	1.	Check the unit is plugged in at the wall socket.
	2.	Check the unit is switched on using the ON/OFF switch (1)
	3.	Check the fuse in the plug.
The steam mop is not producing steam	4.	The steam mop will only produce steam if the hand held steam cleaner (5) is correctly docked into the main body (11) or the steam hose is fitted or the Autoselect™ is turned to ON
	5.	Check that the water tank is full. Note: When first filled or after running dry it can take up to 45 seconds for steam to be produced.
	6.	Check steps 1, then 2, then 3
The steam mop stops producing steam during use	7.	Check steps 4, then 5, then 3
The steam mop is producing too much steam during use	8.	Turn the Autoselect™ dial (2) anti-clockwise to reduce the amount of steam being produced
The steam mop is producing too little steam during use	9.	Turn the Autoselect™ dial (2) clockwise to increase the amount of steam being produced
No steam is being produced from the hand held steam cleaner	10.	Check that the Autoselect™ dial (2) is at the ON position
	11.	Check steps 5, then 1, then 2, then 3
The hand held steam cleaner is producing too little steam during use	12.	Turn the Autoselect™ dial (2) clockwise to increase the amount of steam being produced
	13.	Check step 5
The hand held steam cleaner is producing too much steam during use	14.	Turn the Autoselect™ dial (2) anti-clockwise to reduce the amount of steam being produced
The accessories keep falling off the unit	15.	Refer to the assembly chapter for correct fitting instructions of all parts and accessories
Steam is escaping from unexpected areas of the unit	16.	Refer to the assembly chapter for correct fitting instructions of all parts and accessories
Where can I get further information/ accessories	17.	www.blackanddecker.co.uk/steammp www.blackanddecker.ie/steammp

Maintenance and cleaning

Your BLACK+DECKER corded appliance has been designed to operate over a long period of time with a minimum of maintenance. Continuous satisfactory operation depends upon proper appliance care and regular cleaning.

Warning! Before performing any maintenance or cleaning on corded appliances switch off and unplug the appliance.

- ◆ Wipe your appliance over using a soft damp cloth.
- ◆ For stubborn marks you can use a mild solution of soap and water to dampen your cloth.

Care of the cleaning pads

Wash care instructions - No fabric conditioner - Allow to dry fully before re-use.

Caution! Follow the cleaning instructions printed on the label of the cleaning pad.

Mains plug replacement (U.K. & Ireland only)

If a new mains plug needs to be fitted:

- ◆ Safely dispose of the old plug.
- ◆ Connect the brown lead to the live terminal in the new plug.
- ◆ Connect the blue lead to the neutral terminal.
- ◆ Connect the green/yellow lead to the earth terminal.

Warning! Follow the fitting instructions supplied with good quality plugs. Recommended fuse: 13A.

Protecting the environment



Separate collection. Products and batteries marked with this symbol must not be disposed of with normal household waste.

Products and batteries contain materials that can be recovered or recycled reducing the demand for raw materials. Please recycle electrical products and batteries according to local provisions. Further information is available at www.2helpU.com

Guarantee

Black & Decker is confident of the quality of its products and offers consumers a 24 month guarantee from the date of purchase. This guarantee is in addition to and in no way prejudices your statutory rights. The guarantee is valid within the territories of the Member States of the European Union and the European Free Trade Area.

To claim on the guarantee, the claim must be in accordance with Black&Decker Terms and Conditions and you will need to submit proof of purchase to the seller or an authorised repair agent. Terms and conditions of the Black&Decker 2 year guarantee and the location of your nearest authorised repair agent can be obtained on the Internet at www.2helpU.com, or by contacting your local Black & Decker office at the address indicated in this manual.

Please visit our website www.blackanddecker.co.uk to register your new Black & Decker product and receive updates on new products and special offers.

Verwendungszweck

Ihr BLACK+DECKER™ FSMH1321, FSMH1351SM, FSMH13101SM, FSMH13151SM, FSMH1321J, FSMH1321JSM, FSMH1321JMD Dampfreiniger wurde zum hygienischen Säubern von Bodenbelägen aus versiegeltem Hartholz, Laminat, Linoleum, PVC, Keramikfliesen, Stein und Marmor entwickelt. Dieses Gerät darf nur im Innenbereich verwendet werden und ist nicht für den gewerblichen Einsatz vorgesehen.

Sicherheitshinweise



Warnung! Lesen Sie alle Sicherheitswarnhinweise und alle Anweisungen. Die Nichteinhaltung der folgenden Warnungen und Anweisungen kann einen elektrischen Schlag, Brand und/oder schwere Verletzungen verursachen.



Warnung! Beachten Sie beim Umgang mit netzstrombetriebenen Geräten stets die grundlegenden Sicherheitshinweise, die im Folgenden beschrieben werden. Dadurch verhindern Sie Brände, Stromschläge sowie Sach- und Personenschäden.

- ◆ Der vorgesehene Verwendungszweck ist in dieser Anleitung beschrieben. Bei Verwendung von Zubehör oder Anbauteilen, die nicht in dieser Anleitung empfohlen werden, sowie bei der Verwendung des Geräts in Abweichung von den in dieser Anleitung beschriebenen Verfahren besteht Verletzungsgefahr.
- ◆ Bewahren Sie diese Anleitung auf.

Verwendung des Geräts

- ◆ Richten Sie den Dampfstrahl nicht auf Menschen, Tiere, elektrische Geräte oder Steckdosen.
- ◆ Nicht Regen aussetzen.
- ◆ Tauchen Sie das Gerät nicht in Wasser.
- ◆ Lassen Sie das Gerät niemals unbeaufsichtigt.
- ◆ Trennen Sie die Stromversorgung des Geräts, wenn dieses nicht verwendet wird.
- ◆ Ziehen Sie den Netzstecker nicht am Kabel aus der Netzsteckdose. Achten Sie darauf, dass das Gerätekabel nicht in Kontakt mit starker Hitze, Öl oder scharfkantigen Gegenständen kommt.
- ◆ Bedienen Sie den Dampfreiniger nicht mit nassen Händen.
- ◆ Verwenden Sie das Kabel nicht zum Ziehen bzw. Tragen des Geräts oder als Haltegriff. Achten Sie darauf, dass das Kabel nicht in Türen eingeklemmt, über scharfe Kanten gezogen oder Hitzequellen ausgesetzt wird.
- ◆ Verwenden Sie das Gerät nicht in geschlossenen Räumen, in denen Dämpfe von Verdünnungsmitteln für Ölfarben, bestimmte Mottenschutzmittel, brennbare Stäube oder andere explosive bzw. giftige Dämpfe austreten.
- ◆ Lassen Sie die Art des Bodenbelags durch den Hersteller bestätigen.
- ◆ Verwenden Sie das Gerät nicht auf Leder, gewachsenen Möbelstücken oder Böden, synthetischem Gewebe,

Samt oder empfindlichen Materialien, die durch Dampf beschädigt werden können.



Warnung! Verwenden

Sie das Gerät nicht auf unversiegelten Holz - und Laminatböden. Der Glanz gewachster und bestimmter ungewachster Oberflächen wird möglicherweise durch den heißen Dampf beeinträchtigt. Es wird empfohlen, die Reinigungswirkung zunächst an einer unauffälligen Stelle zu testen. Beachten Sie auch die Anweisungen des jeweiligen Herstellers zu Gebrauch und Pflege des Bodenbelags.

- ◆ Befüllen Sie den Dampfreiniger nicht mit Entkalker, alkoholhaltigen Stoffen sowie Duft- oder Reinigungsmitteln, da das Gerät hierdurch beschädigt oder die Gerätesicherheit beeinträchtigt werden kann.
- ◆ Stellen Sie die Verwendung des Geräts unmittelbar ein, und wenden Sie sich an den Kundendienst, wenn der Schutzschalter bei Verwendung der Dampffunktion ausgelöst wird. (Es besteht die Gefahr eines Stromschlags.)
- ◆ Das Gerät erzeugt zur hygienischen Säuberung der Anwendungsoberfläche Dampf mit sehr hoher Austrittstemperatur. Deshalb können Reinigungskopf, Bodentuch und Teppichaufsatz bei Betrieb des Geräts sehr heiß werden.

Achtung! Tragen Sie bei der Verwendung des Dampfreinigers und dem Austausch der Zubehörteile zweckmäßiges Schuhwerk. Tragen Sie keine Hausschuhe oder Sandalen.

- ◆ Der Gerätedeckel kann während des Betriebs heiß werden.
- ◆ Bei Verwendung des Geräts kann Dampf austreten.
Das Gerät ist mit Vorsicht zu betreiben. Teile, die während des Betriebs heiß werden können, dürfen NICHT BERÜHRT WERDEN.
- ◆ Schalten Sie das Gerät aus, und bewegen Sie den Griff in die aufrechte Stellung, bevor Sie den Wassertank entfernen.
- ◆ Schalten Sie das Gerät aus, trennen Sie es von der Stromversorgung, und lassen Sie das Gerät abkühlen, wenn Dampf aus dem Gehäuse des Handdampfreinigers austritt. Wenden Sie sich an eine Vertragswerkstatt in Ihrer Nähe. Das Gerät darf nicht weiter verwendet werden.

Nach dem Gebrauch

- ◆ Ziehen Sie den Netzstecker, und lassen Sie das Gerät vor dem Reinigen abkühlen.
- ◆ Bewahren Sie das Gerät bei Nichtgebrauch an einem trockenen Ort auf.
- ◆ Kinder sollten keinen Zugang zu aufbewahrten Geräten haben.

Inspektion und Reparaturen

- ◆ Ziehen Sie vor der Durchführung von Wartungsarbeiten oder Reparaturen

den Netzstecker, und lassen Sie das Gerät abkühlen.

- ◆ Prüfen Sie das Gerät vor der Verwendung auf beschädigte oder defekte Teile. Prüfen Sie, ob Teile gebrochen sind, Schalter beschädigt sind oder andere Bedingungen vorliegen, welche die Funktion beeinträchtigen könnten.
- ◆ Überprüfen Sie das Netzkabel in regelmäßigen Abständen auf Beschädigungen.
- ◆ Betreiben Sie das Gerät nicht, wenn Teile beschädigt oder defekt sind.
- ◆ Lassen Sie beschädigte oder defekte Teile in einer Vertragswerkstatt reparieren oder austauschen.
- ◆ Ersetzen oder entfernen Sie keine Teile, für die in dieser Anleitung keine entsprechende Beschreibung enthalten ist.

Sicherheit anderer Personen

- ◆ Dieses Gerät darf von Kindern ab 8 Jahren und Personen mit eingeschränkten körperlichen, sensorischen oder geistigen Fähigkeiten sowie mangelnder Erfahrung und Wissen in Bezug auf dessen Gebrauch bedient werden, wenn sie bei der Verwendung des Geräts beaufsichtigt oder angeleitet werden und die möglichen Gefahren verstehen. Kinder dürfen nicht mit dem Gerät spielen. Reinigung und Wartungsarbeiten dürfen von Kindern nur unter Aufsicht durchgeführt werden.

- ◆ Kinder müssen beaufsichtigt werden, um sicherzustellen, dass sie nicht mit dem Gerät spielen.

Restrisiken

Beim Gebrauch dieses Geräts verbleiben zusätzliche Restrisiken, die möglicherweise nicht in den Sicherheitswarnungen genannt werden. Diese Risiken bestehen beispielsweise bei Missbrauch oder längerem Gebrauch. Auch bei der Einhaltung der entsprechenden Sicherheitsvorschriften und der Verwendung aller Sicherheitsgeräte bestehen weiterhin bestimmte Restrisiken. Diese sind:

- ◆ Verletzungen, die durch das Berühren von sich bewegenden Teilen verursacht werden.
- ◆ Verletzungen, die durch das Berühren von erhitzten Teilen verursacht werden.
- ◆ Verletzungen, die durch das Austauschen von Teilen oder Zubehör verursacht werden.
- ◆ Verletzungen, die durch längeren Gebrauch des Geräts verursacht werden. Legen Sie bei längerem Gebrauch regelmäßige Pausen ein.

Elektrische Sicherheit



Warnung! Das Gerät muss geerdet werden. Überprüfen Sie immer, dass die Stromversorgung der Spannung auf dem Typenschild entspricht.

Der Netzstecker des Gerätes muss in die Steckdose passen. Ändern Sie

niemals den Stecker in irgendeiner Form. Unveränderte Stecker und passende Steckdosen mindern die Gefahr eines elektrischen Schlages.

- ◆ Bei einer Beschädigung des Netzkabels muss dieses durch den Hersteller oder eine BLACK+DECKER Vertragswerkstatt ausgetauscht werden, um mögliche Gefahren zu vermeiden.

Verlängerungskabel und Produkt der Klasse 1

- ◆ Wenn das Gerät geerdet ist, und es sich um ein Produkt der Klasse 1 handelt, muss ein dreidriges Kabel verwendet werden.
- ◆ Bis zu einer Kabellänge von 30 m treten keine Leistungsverluste auf.

Warnsymbole am Gerät

Folgende Piktogramme sowie der Datumscode befinden sich auf dem Gerät.



VORSICHT Heißer Dampf. Verbrühungsgefahr.



Wasser tropft, wenn das Gerät umgedreht verwendet wird



Dampf entweicht von allen Seiten



Lassen Sie kleine Kinder nicht unbeaufsichtigt



Bei 60°C waschen.
Keine Bleichmittel oder
Weichspüler verwenden.



Achtung! Heiße
Oberfläche

Merkmale

Dieses Gerät verfügt über einige oder alle der folgenden Merkmale.

1. Ein-/Aus-Schalter
2. Autoselect™-Programmwahl
3. Griff des Handdampfreinigers
4. Verschlusskappe
5. Handdampfreiniger
6. Handgriff
7. Obere Kabelhalterung
8. Haupthandgriff
9. Untere Kabelhalterung
10. Freigabetaste des Handdampfreinigers
11. Hauptteil
12. Bodenreinigungsdüse
- 12a. Dampfstoß-Bodenreinigungsdüse
- 12b. Teppichgleiter
(für Teppiche)
13. Bodenreinigungstuch
14. Freigabelasche für Bodenreinigungstuch
15. Aufhängevorrichtung
16. Dampfschlauch
17. Dampfdüse
18. Winkelbürstenzubehör
(für schwer entfernbare Flecken)
- 18a. Winkelbürste für Grills (Drahtbürste)
19. Bürstenzubehör
(für Fliesen/Mörtel)
20. Gummia zieher
(für Duschwände/Glas/Spiegel/Bekleidung/Polster)
- 20a. Hülle für Gummia zieher
21. Großer Gummia zieher
(für Duschwände/Glas/Spiegel/Bekleidung/Polster)
- 21a. Hülle für großen Gummia zieher
22. Dampfstoß-Bürsteneinheit
- 22a. Dampfstoß-Drahtbürste
(für Grills/Öfen)
- 22b. Dampfstoß-Bürste
(Für Grills/Öfen/Kochfelder/Wasserhähne/Mörtel)
- 22c. Breite Dampfstoß-Bürste
(für größere Arbeitsflächen)
23. Delta-Kopf
(für Kleidung/Polster/größere Arbeitsflächen)
- 23a. Flaches Oberflächenreinigungstuch

- 23b. Schnittstelle zum Dämpfen von Kleidung
(für Kleidung/Polster)
- 23c. Dampfbürste für Kleidung
(für Kleidung/Polster)
- 23d. Dampfkissen für Kleidung
(für Kleidung/Polster)
- 23e. Delta-Kopf Teppichgleiter
25. SteaMitt™
26. SteaMitt™-Schlauch
27. SteaMitt™-Reinigungstuch
- 27a. SteaMitt™-Reinigungstuch 2
- 27b. SteaMitt™-Reinigungstuch 3
28. Einstellbare Düse

Konfiguration

	F S M H 1 3 2 1	F S M H 1 3 5 1 S M	F S M H 1 3 1 0 1 S M	F S M H 1 3 1 5 1 S M	F S M H 1 3 2 1 J	F S M H 1 3 2 1 J S M	F S M H 1 3 2 1 J M D	Empfohlene Dampfeinstellungen	
12	✓	✓	✓	✓	✓	✓	✓	Alle	
12a			✓	✓	✓	✓	✓	Alle	
12b				✓	✓	✓	✓	Alle	
13	✓	✓	✓	✓	✓	✓	✓	Alle	
16	✓	✓	✓	✓	✓	✓	✓	Alle	
18	✓	✓	✓	✓	✓	✓		Alle	
18a					✓	✓		Alle	
19	✓	✓			✓	✓		Alle	
20	✓	✓	✓	✓				*	
20a	✓	✓	✓	✓				*	
21						✓	✓	*	
21a					✓	✓	✓	*	
22			✓	✓			✓	Alle	
22a			✓	✓			✓	Alle	
22b			✓	✓			✓	Alle	
22c			✓	✓			✓	Alle	
23							✓	Alle	
23a							✓	Alle	
23b							✓	*	
23c							✓	*	
23d							✓	*	
23e							✓	*	
25		✓	✓	✓			✓	✓	*
26		✓	✓	✓			✓	✓	*
27		✓	✓	✓			✓	✓	*
27a							✓	*	
27b							✓	*	
28				✓	✓	✓	✓	Alle	

Montage



Warnung! Vergewissern Sie sich vor Ausführung der folgenden Schritte, dass das Gerät ausgeschaltet ist und der Netzstecker gezogen wurde. Weiterhin muss das Gerät abgekühlt sein und darf kein Wasser enthalten.

Anbringen des Griffs (Abb. A)

- ◆ Schieben Sie das untere Ende des Griffs (8) in die obere Öffnung des Gerätegehäuses (11), bis dieser einrastet.

Anbringen des Handdampfreinigers (Abb. B)

- ◆ Halten Sie das Gerät an der Rückseite des Gerätegehäuses (11) fest, drücken Sie den Handdampfreiniger (5) fest auf das Gerätegehäuse (11), bis er genau über der Schnittstelle (11a) sitzt und fest einrastet.

Abnehmen des Handdampfreinigers (Abb. B)

- ◆ Drücken Sie die Freigabetaste (10) am Hauptteil (11) und heben Sie den Handdampfreiniger (5) von der Schnittstelle (11a) und vom Hauptteil (11) ab.

Anbringen eines Reinigungstuchs (Abb. C)

Ersatztücher erhalten Sie im BLACK+DECKER Fachhandel: – (Katalognr. FSMP20-XJ).

- ◆ Legen Sie ein Reinigungstuch (13) mit den Klettverschlüssen nach oben auf den Boden.
- ◆ Drücken Sie den Dampfreiniger vorsichtig auf das Bodentuch (13).

Hinweis: Dieses Gerät kann mit einer Standard-Bodenreinigungsdüse (12) oder einem Dampfstoß-Reinigungsdüse (12a) geliefert werden. Bringen Sie in beiden Fällen das Reinigungstuch gemäß dieser Anweisungen an.

Achtung! Stellen Sie den Dampfreiniger – ungeachtet der jeweiligen Oberfläche – keinesfalls längere Zeit an einer Stelle ab. Stellen Sie den Dampfreiniger stets mit dem abgestützten Griff (8) in aufrechter Stellung ab. Stellen Sie sicher, dass der Dampfreiniger ausgeschaltet ist, wenn dieser nicht verwendet wird.

Entfernen eines Reinigungstuchs

Achtung! Tragen Sie beim Wechseln des Reinigungstuchs stets zweckmäßiges Schuhwerk.

Tragen Sie keine Hausschuhe oder Sandalen.

- ◆ Bewegen Sie den Griff (8) in die aufrechte Stellung, und schalten Sie den Dampfreiniger aus.
- ◆ Warten Sie, bis der Dampfreiniger abgekühlt ist, bevor Sie diesen verstauen (etwa 5 Minuten).
- ◆ Heben Sie den Dampfreiniger vom Reinigungstuch und lösen Sie ihn so von dem Klettverschluss.

Achtung! Stellen Sie den Dampfreiniger – ungeachtet der jeweiligen Oberfläche – keinesfalls längere Zeit an einer Stelle ab.

Stellen Sie den Dampfreiniger stets mit dem abgestützten Griff (8) in aufrechter Stellung ab. Stellen Sie sicher, dass der Dampfreiniger ausgeschaltet ist, wenn dieser nicht verwendet wird.

Füllen des Wassertanks (Abb. Q)

Hinweis! Füllen Sie den Wassertank mit sauberem Leitungswasser. (Verwenden Sie keine Zusatzstoffe oder Chemikalien.)

Hinweis! In Regionen mit kalkhaltigem Wasser wird die Verwendung von destilliertem Wasser empfohlen.

- ◆ Öffnen Sie die Verschlusskappe (4), indem Sie diese nach oben klappen.
- ◆ Füllen Sie den Wassertank mit Leitungswasser. (Verwenden Sie keine Zusatzstoffe oder Chemikalien.)

Warnung! Nehmen Sie den Tank beim Füllen vom Hauptgerät ab und halten Sie ihn waagrecht.

Warnung! Der Tank hat eine Kapazität von 0,5 l. Überfüllen Sie den Tank nicht.

- ◆ Schließen Sie die Verschlusskappe (4).

Hinweis! Stellen Sie sicher, dass die Verschlusskappe fest sitzt.

Anbringen des Teppichgleiters (Abb. 12b) (nur für Teppiche)

- ◆ Legen Sie den Teppichgleiter (12b) auf den Boden.
- ◆ Bringen Sie ein Reinigungstuch an der Bodenreinigungsdüse (12) an.
- ◆ Drücken Sie den Dampfreiniger vorsichtig auf den Teppichgleiter (12b), bis dieser einrastet.

Achtung! Stellen Sie den Dampfreiniger – ungeachtet der jeweiligen Oberfläche – keinesfalls längere Zeit an einer Stelle ab. Stellen Sie den Dampfreiniger stets mit dem abgestützten Griff (8) in aufrechter Stellung ab. Stellen Sie sicher, dass der Dampfreiniger ausgeschaltet ist, wenn dieser nicht verwendet wird.

Entfernen des Teppichgleiters

Achtung! Tragen Sie beim Wechseln des Teppichgleiters stets zweckmäßiges Schuhwerk. Tragen Sie keine Hausschuhe oder Sandalen.

- ◆ Bewegen Sie den Griff (8) in die aufrechte Stellung, und schalten Sie den Dampfreiniger aus.
- ◆ Warten Sie, bis der Dampfreiniger abgekühlt ist, bevor Sie diesen verstauen (etwa 5 Minuten).
- ◆ Drücken Sie die Lasche zum Entfernen des Teppichgleiters mit einer Spitze Ihres Schuhs fest nach unten.
- ◆ Heben Sie den Dampfreiniger vom Teppichgleiter ab.

Achtung! Stellen Sie den Dampfreiniger – ungeachtet der jeweiligen Oberfläche – keinesfalls längere Zeit an einer Stelle ab. Stellen Sie den Dampfreiniger stets mit dem abgestützten Griff (8) in aufrechter Stellung ab. Stellen Sie sicher, dass der Dampfreiniger ausgeschaltet ist, wenn dieser nicht verwendet wird.

Anbringen des Schlauchs und Zubehörs am Handdampfreiniger (Abb. G - O)

Warnung! Überprüfen Sie vor jedem Gebrauch die Dichtung zwischen dem Verbindungspunkt am Handdampfreiniger (5) und dem Dampfschlauch (16). Wenden Sie sich an eine Vertragswerkstatt in Ihrer Nähe, wenn die Dichtung nicht funktioniert oder beschädigt ist. Das Gerät darf nicht weiter verwendet werden.

Warnung! Das Gerät sollte ausgeschaltet werden, bevor der Schlauch angebracht wird.

Anbringen des Schlauches

- ◆ Drücken Sie die Freigabetaste des Dampfschlauchs (16a) am Dampfschlauch (16).
- ◆ Schließen Sie den Dampfschlauch (16) am Handdampfreiniger (5) an, lassen Sie die Freigabetaste des Dampfschlauchs (16a) los und achten Sie darauf, dass sie einrastet.

Wichtig! Stellen Sie vor der Verwendung des Handdampfreinigers sicher, dass der Dampfschlauch (16) ordnungsgemäß am Handdampfreiniger (5) angebracht ist. Wenn aus der Verbindungsstelle Dampf entweicht, ist der Schlauch falsch montiert. Schalten Sie das Gerät aus, warten Sie, bis es abgekühlt ist, und bringen Sie den Schlauch wieder an.

Anbringen von Zubehörteilen (Abb. H)

- ◆ Richten Sie die Halterungen am Dampfdüse (17) an den Aussparungen am Zubehörteil aus.
- ◆ Drücken Sie das Zubehörteil auf den Schlauch (17) und drehen Sie das Zubehörteil entgegen dem Uhrzeigersinn, bis dieses einrastet.

Wichtig! Sämtliches Zubehör außer dem SteaMitt™ (25), der einen eigenen Schlauch und ein eigenes Verbindungsstück (26) besitzt, muss vor Gebrauch mit dem Dampfschlauch (16) verbunden werden.

Entfernen des Schlauchs und Zubehörs

Warnung! Der Dampfschlauch (16), die Dampfdüse (17) und die Zubehörteile werden bei Betrieb heiß. Warten Sie , bis das Gerät und alle Zubehörteile abgekühlt sind, bevor Sie versuchen, Teile abzunehmen.

Entfernen von Zubehörteilen

- ◆ Drehen Sie das Zubehörteil im Uhrzeigersinn und ziehen Sie es vom Schlauch (16) ab.

Entfernen des Schlauchs

- ◆ Drücken Sie die Freigabetaste für den Dampfschlauch (16a) am Dampfschlauch (16) und ziehen Sie ihn vom Handdampfreiniger weg.

SteaMitt™

Ihr BLACK+DECKER™ SteaMitt™ wurde zum Desinfizieren und Reinigen von Fliesen, Arbeitsflächen, Küchen und Badezimmer entwickelt. Dieses Gerät darf nur im Innenbereich verwendet werden und ist nicht für den gewerblichen Einsatz vorgesehen.

Anbringen des SteaMitt™-Schlauchs am Handdampfreiniger

Warnung! Überprüfen Sie vor jeder Verwendung die Dichtung an der Dampfdüse und am Schlauch. Wenden Sie sich an eine Vertragswerkstatt in Ihrer Nähe, wenn die Dichtung fehlt oder beschädigt ist. **Das Gerät darf nicht weiter verwendet werden.** Überprüfen Sie die Dichtung am SteaMitt™ und am Schlauch. Wenden Sie sich an eine Vertragswerkstatt in Ihrer Nähe, wenn die Dichtung fehlt oder beschädigt ist oder wenn an einer Stelle Dampf entweicht. **Das Gerät darf nicht weiter verwendet werden.** Überprüfen Sie, ob der SteaMitt™-Schlauch oder der Zubehörschlauch durch irgendetwas verstopft oder blockiert wird. Wenn das der Fall ist, wenden Sie sich an eine Vertragswerkstatt in Ihrer Nähe. **Das Gerät darf nicht weiter verwendet werden.**

Anbringen eines Reinigungstuchs am SteaMitt™ (Abb. L)

Warnung! Überprüfen Sie, ob die Dampföffnungen durch irgendetwas verstopft oder blockiert werden. Wenn das der Fall ist, wenden Sie sich an eine Vertragswerkstatt in Ihrer Nähe. **Das Gerät darf nicht weiter verwendet werden.**

- ◆ Bringen Sie das Reinigungstuch (27) am SteaMitt™ (25) an, indem Sie die Klettverschlüsse (27a) oben am Reinigungstuch mit den Klettverschlüssen (25a) an der Unterseite des SteaMitt™ (4) verbinden. Drücken Sie diese gut fest.

Warnung! Der SteaMitt™ sollte nur mit angebrachtem Reinigungstuch verwendet werden.

Hinweis: Am SteaMitt™ können 4 verschiedene dicke Reinigungstücher angebracht werden. Scheuertuch (für hartnäckige Flecken und unempfindliche Oberflächen), Badezimmerhandtuch (für Wasserhähne und andere geformte Oberflächen im Bad), Standardtuch (für alle größeren Oberflächen) und Poliertuch (für empfindliche Oberflächen).

Warnung! Verwenden Sie den SteaMitt™

- ▲ ausschließlich wie in Abbildung M gezeigt, d.h. mit der y Hand im Schutzhandschuh.

⚠ Warnung! Versuchen Sie niemals, den SteaMitt™ zu verwenden, indem Sie ihn wie in Abbildung N gezeigt von außen greifen. Es droht die Gefahr von Verbrühungen.

⚠ Warnung! Vermeiden Sie die Verwendung des SteaMitt™ an engen Stellen, wie in Abbildung O gezeigt.

⚠ Warnung! Sollte ein Problem bei der Verwendung auftreten, verwenden Sie die Lasche mit Schnellspannung, um den SteaMitt™ schnell von der Hand zu lösen, siehe Abbildung P.

⚠ Warnung! Verwenden Sie den SteaMitt™ nicht auf kaltem Glas, z.B. an Fenstern, da dies zu Schäden durch die plötzliche Temperaturänderung führen kann.

⚠ Warnung! Richten Sie den Dampfreiniger niemals auf sich selbst oder andere Personen.

Hinweis: Es wird empfohlen, den SteamMitt in Einstellung 1 zu verwenden, damit das Tuch nicht zu nass wird.

Verwendung

Wichtig! Mit diesem Gerät können 99,9 % der Bakterien und Keime abgetötet werden, wenn es gemäß der Anweisungen in diesem Handbuch mit dem Mikrofasertuch und mindestens 90 Sekunden lang verwendet wird.

Ein- und Ausschalten

- ◆ Zum Einschalten des Geräts drücken Sie den Ein-/Aus-Schalter (1). Der Dampfreiniger benötigt zum Erreichen der Betriebstemperatur ca. 15 Sekunden.
- ◆ Drücken Sie den Ein-/Aus-Schalter (1), um das Gerät auszuschalten.

Hinweis: Stecken Sie immer die Hand in den SteaMitt™, bevor Sie die Dampftaste drücken.

Achtung! Stellen Sie den Dampfreiniger – ungeachtet der jeweiligen Oberfläche – keinesfalls längere Zeit an einer Stelle ab.

Stellen Sie den Dampfreiniger stets mit dem abgestützten Griff (8) in aufrechter Stellung ab. Stellen Sie sicher, dass der Dampfreiniger ausgeschaltet ist, wenn dieser nicht verwendet wird.

Achtung! Leeren Sie den Dampfreiniger nach jedem Gebrauch.




Hinweis! Nach dem ersten Befüllen oder nachdem der Tank vollständig leer war, kann es bis zu 45 Sekunden dauern, bis Dampf erzeugt wird.

Autoselect™-Technologie (Abb. R)

Dieser Dampfreiniger ist mit einer Autoselect™-Programmwahl (2) für unterschiedliche

Reinigungsanwendungen ausgestattet. Die Programmwahl dient zum Auswählen des richtigen Betriebsmodus für die entsprechende Reinigungsanwendung.

Wählen Sie über Autoselect™ eine der folgenden Anwendungen aus, indem Sie den Autoselect™-Regler (2) drehen, bis die gewünschte Einstellung angezeigt wird.

Einstellung	Mopp	Handgerät
	Holz/Laminat	Geringe Dampfmenge ●
	Fliesen/PVC	Mittlere Dampfmenge ● ●
	Stein/Marmor	Hohe Dampfmenge ● ● ●

Der richtige Dampfstoß für die entsprechende Reinigungsanwendung wird vom Dampfreiniger automatisch ausgewählt.

Hinweis: Überprüfen Sie vor dem Verwenden des Dampfreinigers stets, ob die richtige Einstellung ausgewählt ist.

Dampfstoß (Abb. C1) (nur verfügbar bei den Modellen FSMH1310SM, FSMH13151SM, FSMH1321J, FSMH1321JMD, FSMH1321JSM)

Die Parkettdüse (12a) ist mit einem Dampfstoßpedal ausgestattet, mit dem Sie auch hartnäckige Flecken entfernen können.

- ◆ Wenn Sie bei der Verwendung das Dampfstoßpedal drücken, wird die Reinigungsleistung verstärkt.
- ◆ Um das Pedal wieder in die Ausgangsstellung zu bringen, drücken Sie es erneut.

Hinweise für optimale Arbeitsergebnisse

Allgemeines

Vorsicht: Verwenden Sie den Dampfreiniger keinesfalls ohne Reinigungstuch.

- ◆ Reinigen Sie den Boden vor der Verwendung des Dampfreinigers stets mit einem Staubsauger bzw. einem Besen.
- ◆ Das Gerät lässt sich am einfachsten verwenden, wenn Sie den Griff in einem Winkel von 45° Grad neigen und jeweils nur eine kleine Fläche bearbeiten.
- ◆ Verwenden Sie den Dampfreiniger nur mit Wasser ohne Zusätze oder Chemikalien. Hartnäckige Flecken auf PVC- oder Linoleumböden können mit einem milden Reinigungsmittel und Wasser vorbehandelt werden, um die Arbeit mit dem Dampfreiniger zu erleichtern.

Dampfreinigung mit dem Mopp

- ◆ Bringen Sie den Handdampfreiniger (5) am Gerätegehäuse (11) an.
- ◆ Legen Sie ein Reinigungstuch (13) mit den Klettverschlüssen nach oben auf den Boden.
- ◆ Drücken Sie den Dampfreiniger vorsichtig auf das Bodentuch (13).
- ◆ Schließen Sie den Dampfreiniger an die Stromversorgung an.
- ◆ Drücken Sie den Ein-/Ausschalter (1). Der Dampfreiniger benötigt zum Erreichen der Betriebstemperatur ca. 15 Sekunden.
- ◆ Stellen Sie die Autoselect™-Programmwahl (2) auf die gewünschte Einstellung. Nach wenigen Sekunden tritt Dampf aus dem Reinigungskopf aus.

Hinweis! Nach dem ersten Befüllen oder nachdem der Tank vollständig leer war, kann es bis zu 45 Sekunden dauern, bis Dampf erzeugt wird.

- ◆ Es dauert einige Sekunden, bis der Dampf das Bodentuch durchdringt. Anschließend gleitet der Dampfreiniger mühelos über die zu reinigende Oberfläche.
- ◆ Bewegen Sie den Dampfreiniger langsam über die Oberfläche, um alle Bereiche gründlich zu reinigen.
- ◆ Wenn Sie mit der Arbeit mit dem Dampfreiniger fertig sind, stellen Sie den Griff (8) in die aufrechte Position, so dass er abgestützt wird, und schalten Sie das Gerät AUS. Warten Sie, bis der Dampfreiniger abgekühlt ist, bevor Sie diesen verstauen (etwa fünf Minuten).

Achtung! Achten Sie stets auf den Wasserpegel im Tank. Bewegen Sie den Dampfreiniger in die aufrechte Stellung, so dass der Griff abgestützt ist, und schalten Sie das Gerät aus, um den Wassertank aufzufüllen und mit dem Reinigen fortzufahren. Trennen Sie das Gerät von der Stromversorgung und befüllen Sie den Wassertank.

Achtung! Stellen Sie den Dampfreiniger – ungeachtet der jeweiligen Oberfläche – keinesfalls längere Zeit an einer Stelle ab. Stellen Sie den Dampfreiniger stets mit dem abgestützten Griff (8) in aufrechter Stellung ab. Stellen Sie sicher, dass der Dampfreiniger ausgeschaltet ist, wenn dieser nicht verwendet wird.

Behandeln von Teppichböden

- ◆ Legen Sie ein Reinigungstuch (13) mit den Klettverschlüssen nach oben auf den Boden.
- ◆ Drücken Sie den Dampfreiniger vorsichtig auf das Reinigungstuch.
- ◆ Legen Sie den Teppichgleiter (12b) auf den Boden.
- ◆ Drücken Sie den Dampfreiniger vorsichtig auf den Teppichgleiter, bis dieser einrastet.
- ◆ Schließen Sie den Dampfreiniger an die Stromversorgung an.

- ◆ Drücken Sie den Ein-/Ausschalter (1). Der Dampfreiniger benötigt zum Erreichen der Betriebstemperatur ca. 15 Sekunden.
- ◆ Drehen Sie die Autoselect™-Programmwahl (2) auf die Stellung für Holz/Laminat.
- ◆ Bewegen Sie den Dampfreiniger langsam über den Teppich, um alle Bereiche gründlich zu behandeln.
- ◆ Wenn Sie mit der Arbeit mit dem Dampfreiniger fertig sind, stellen Sie den Griff (8) wieder in die aufrechte Position und schalten Sie das Gerät AUS. Warten Sie, bis der Dampfreiniger abgekühlt ist, bevor Sie diesen verstauen (etwa fünf Minuten).

Nach dem Gebrauch

- ◆ Stellen Sie die Autoselect™-Programmwahl (2) in die Position 'OFF' (AUS).
- ◆ Warten Sie, bis der Dampfreiniger abgekühlt ist, bevor Sie diesen verstauen.
- ◆ Ziehen Sie den Netzstecker.
- ◆ Leeren Sie den Wassertank.
- ◆ Entfernen Sie das Reinigungstuch (13) und waschen Sie es, damit es für den nächsten Einsatz bereit ist. (Beachten Sie die Pflegehinweise auf dem Reinigungstuch.)
- ◆ Wickeln Sie das Netzkabel um die dafür vorgesehenen Halterungen (7 und 9).
- ◆ Der Handgriff (6) verfügt über eine Öse (15), mit der der Dampfreiniger an einem geeigneten Wandhaken aufgehängt werden kann. Achten Sie darauf, dass der Haken ausreichend tragfähig ist, um das Gewicht des Dampfreinigers sicher zu halten.

Verwenden des Handdampfreinigers

Warnung! Halten Sie das Gerät während der Verwendung waagerecht.

- ◆ Bringen Sie das gewünschte Zubehörteil an.
- ◆ Stecken Sie den Netzstecker des Handdampfreinigers ein.
- ◆ Drücken Sie den Ein-/Ausschalter (1). Der Dampfreiniger benötigt zum Erreichen der Betriebstemperatur ca. 15 Sekunden.
- ◆ Stellen Sie die Autoselect™-Programmwahl (2) auf die gewünschte Einstellung. Nach wenigen Sekunden tritt Dampf aus dem Reinigungskopf aus.

Hinweis! Nach dem ersten Befüllen oder nachdem der Tank vollständig leer war, kann es bis zu 45 Sekunden dauern, bis Dampf erzeugt wird.

- ◆ Wenn Sie mit der Arbeit mit dem Handdampfreiniger fertig sind, stellen Sie die Autoselect™-Programmwahl (2) in die Position 'OFF' (AUS). Schalten Sie das Gerät aus, indem Sie den Ein-/Aus-Schalter (1) drücken und den Netzstecker aus der Steckdose ziehen. Warten Sie, bis das Gerät abgekühlt ist, bevor Sie es verstauen (ca. fünf Minuten).

Zubehör

Das verwendete Zubehör hat wesentlichen Einfluss auf die Leistung des Geräts. Zubehörteile von BLACK+DECKER erfüllen höchste Qualitätsstandards und wurden speziell für die Verwendung mit Ihrem Gerät entwickelt. Bei Verwendung dieses Zubehörs erhalten Sie stets optimale Ergebnisse.

Technische Daten

FSMH1321		
Spannung	V _{AC}	230
Elektrowerkzeuge	W	1300
Fassungsvermögen des Tanks	ml	500
Gewicht	kg	2,7

FSMH1351SM		
Spannung	V _{AC}	230
Elektrowerkzeuge	W	1300
Fassungsvermögen des Tanks	ml	500
Gewicht	kg	2,7

FSMH13101SM		
Spannung	V _{AC}	230
Elektrowerkzeuge	W	1300
Fassungsvermögen des Tanks	ml	500
Gewicht	kg	2,8

FSMH13151SM		
Spannung	V _{AC}	230
Elektrowerkzeuge	W	1300
Fassungsvermögen des Tanks	ml	500
Gewicht	kg	2,8

FSMH1321J		
Spannung	V _{AC}	230
Elektrowerkzeuge	W	1300
Fassungsvermögen des Tanks	ml	500
Gewicht	kg	2,7

FSMH1321JSM		
Spannung	V _{AC}	230
Elektrowerkzeuge	W	1300
Fassungsvermögen des Tanks	ml	500
Gewicht	kg	2,8

FSMH1321JMD		
Spannung	V _{AC}	230
Elektrowerkzeuge	W	1300
Fassungsvermögen des Tanks	ml	500
Gewicht	kg	2,8

Fehlerbehebung

Wenn das Gerät nicht richtig zu funktionieren scheint, befolgen Sie die nachfolgenden Hinweise. Sollte sich das Problem nicht beheben lassen, wenden Sie sich an eine BLACK+DECKER Vertragswerkstatt in Ihrer Nähe.

Problem	Schritt	Mögliche Lösung
Der Dampfreiniger lässt sich nicht einschalten	1.	Überprüfen Sie, ob der Stecker in der Steckdose steckt.
	2.	Prüfen Sie, ob das Gerät mit dem Ein-/Aus-Schalter (1) eingeschaltet wurde.
	3.	Prüfen Sie die Sicherung im Stecker.
Der Dampfreiniger erzeugt keinen Dampf	4.	Der Dampfreiniger erzeugt nur Dampf, wenn der Handdampfreiniger (5) richtig in das Hauptteil (11) eingesteckt oder der Dampfschlauch angebracht wurde oder wenn die Autoselect™-Programmwahl auf ON (EIN) steht.
	5.	Überprüfen Sie, ob der Wassertank voll ist. Hinweis: Nach dem ersten Befüllen oder nachdem der Tank vollständig leer war, kann es bis zu 45 Sekunden dauern, bis Dampf erzeugt wird.
	6.	Überprüfen Sie Schritt 1, dann 2, dann 3.
Der Dampfreiniger hört während der Verwendung mit der Dampferzeugung auf.	7.	Überprüfen Sie Schritt 4, dann 5, dann 3.
Der Dampfreiniger erzeugt bei der Verwendung zu viel Dampf.	8.	Drehen Sie die Autoselect™-Programmwahl (2) gegen den Uhrzeigersinn, um die Menge an erzeugtem Dampf zu reduzieren.
Der Dampfreiniger erzeugt bei der Verwendung zu wenig Dampf.	9.	Drehen Sie die Autoselect™-Programmwahl (2) im Uhrzeigersinn, um die Menge an erzeugtem Dampf zu erhöhen.
Der Handdampfreiniger erzeugt keinen Dampf.	10.	Überprüfen Sie, ob die Autoselect™-Programmwahl (2) in der Position 'ON' (EIN) steht.
	11.	Überprüfen Sie Schritt 5, dann 1, dann 2, dann 3.
Der Handdampfreiniger erzeugt bei der Verwendung zu wenig Dampf.	12.	Drehen Sie die Autoselect™-Programmwahl (2) im Uhrzeigersinn, um die Menge an erzeugtem Dampf zu erhöhen.
	13.	Überprüfen Sie Schritt 5
Der Handdampfreiniger erzeugt bei der Verwendung zu viel Dampf.	14.	Drehen Sie die Autoselect™-Programmwahl (2) gegen den Uhrzeigersinn, um die Menge an erzeugtem Dampf zu reduzieren.
Das Zubehör fällt immer vom Gerät ab.	15.	Beachten Sie das Kapitel "Montage" mit Anweisungen zum richtigen Anbringen von Teilen und Zubehör.
Aus unerwarteten Stellen des Geräts tritt Dampf aus.	16.	Beachten Sie das Kapitel "Montage" mit Anweisungen zum richtigen Anbringen von Teilen und Zubehör.
Wo kann ich weitere Informationen/ Zubehör bekommen?	17.	www.blackanddecker.co.uk/steammp www.blackanddecker.ie/steammp

Pflege und Reinigung

Ihr BLACK+DECKER-Gerät mit Netzkabel wurde im Hinblick auf eine lange Lebensdauer und einen möglichst geringen Wartungsaufwand entwickelt. Ein kontinuierlicher, zufriedenstellender Betrieb hängt von der richtigen Pflege des Gerätes und seiner regelmäßigen Reinigung ab.

Warnung! Ziehen Sie den Netzstecker des Geräts aus der Steckdose und schalten Sie das Gerät aus, bevor Sie mit Wartungs- oder Reinigungsarbeiten am Gerät beginnen.

- ◆ Reinigen Sie das Gerät regelmäßig mit einem weichen, feuchten Tuch.
- ◆ Hartnäckige Flecken lassen sich mit milder Seifenlauge und einem feuchten Tuch entfernen.

Pflegen der Bodentücher

Pflegehinweise: keinen Weichspüler verwenden, vor der Verwendung vollständig trocknen lassen.

Achtung! Befolgen Sie die Pflegehinweise auf dem Bodentuch.

Austauschen des Netzsteckers (nur Großbritannien und Irland)

Wenn ein neuer Netzstecker angebracht werden muss:

- ◆ Sorgen Sie für eine sichere Entsorgung des alten Steckers.
- ◆ Verbinden Sie die braune Leitung mit dem spannungsführenden Anschluss des Steckers.
- ◆ Verbinden Sie den blauen Draht mit dem neutralen Anschluss.
- ◆ Verbinden Sie die grün/gelbe Leitung mit dem Masseanschluss.

Warnung! Befolgen Sie die Montageanweisungen, die mit hochwertigen Steckern mitgeliefert werden. Empfohlene Sicherung: 13A.

Umweltschutz



Getrennte Entsorgung. Produkte und Akkus mit diesem Symbol dürfen nicht mit dem normalen Hausmüll entsorgt werden.

Produkte und Akkus enthalten Materialien, die wiederverwertet werden können, um den Bedarf an Rohstoffen zu verringern.

Bitte recyceln Sie elektrische Produkte und Akkus gemäß den örtlichen Bestimmungen. Weitere Informationen finden Sie auf www.2helpU.com

Garantie

Black & Decker vertraut auf die Qualität der eigenen Geräte und bietet dem Käufer eine außergewöhnliche Garantie von 24 Monaten ab Kaufdatum. Diese Garantie versteht sich unbeschadet der gesetzlichen Gewährleistungsansprüche und schränkt diese keinesfalls ein. Diese Garantie gilt innerhalb der Staatsgebiete der Mitgliedstaaten der Europäischen Union und der Europäischen Freihandelszone.

Zur Inanspruchnahme dieser Garantie muss sie den allgemeinen Geschäftsbedingungen von Black&Decker entsprechen und dem Verkäufer bzw. der Vertragswerkstatt ist ein Kaufnachweis vorzulegen. Die Bedingungen für die 2-jährige Garantie von Black&Decker und den Standort Ihrer nächstgelegenen Vertragswerkstatt finden Sie im Internet unter www.2helpU.com oder indem Sie sich an die lokale

Black & Decker-Niederlassung wenden, deren Adresse Sie in dieser Anleitung finden.

Ihr neues Black & Decker-Produkt können Sie auf unserer Website unter www.blackanddecker.de registrieren. Dort erhalten Sie auch Informationen über neue Produkte und Sonderangebote.

(Traduction des instructions initiales)

Utilisation prévue

Votre balai vapeur BLACK+DECKER™ FSMH1321, FSMH1351SM, FSMH13101SM, FSMH13151SM, FSMH1321J, FSMH1321JSM, FSMH1321JMD a été conçu pour désinfecter et nettoyer les planchers en bois durs, laminés, en lino, en vinyle, carrelés, en pierres et en marbre. Cet appareil n'est destiné qu'à une utilisation à l'intérieur et exclusivement domestique.

Consignes de sécurité



Avertissement ! Lisez tous les avertissements et toutes les consignes de sécurité.

Le non-respect des avertissements et des instructions listés ci-dessous peut entraîner des chocs électriques, des incendies et/ou de graves blessures.



Avertissement ! L'utilisation d'appareils alimentés sur

secteur implique le respect de certaines précautions de sécurité élémentaires, dont celles qui suivent, afin de réduire les risques d'incendie, de choc électrique, de blessures et de dégâts matériels.

- ◆ Ce manuel décrit la manière d'utiliser l'appareil.
L'utilisation d'un accessoire ou d'un équipement ou l'utilisation de cet appareil à d'autres fins que celles recommandées dans ce manuel d'instructions peut présenter un risque de blessures.
- ◆ Conservez ce manuel pour pouvoir vous y référer dans le futur.

Utilisation de votre appareil

- ◆ N'orientez pas la vapeur vers des personnes, des animaux, des appareils électriques ou des prises.
- ◆ Ne pas exposer à la pluie.
- ◆ Ne plongez pas l'appareil dans l'eau.
- ◆ Ne laissez pas l'appareil sans surveillance.
- ◆ Ne laissez pas l'appareil branché à une prise s'il ne doit pas être utilisé.
- ◆ Ne tirez jamais sur le fil électrique pour le débrancher. Maintenez le fil de l'appareil éloigné de toute source de chaleur, de zones graisseuses et de bords tranchants.
- ◆ N'utilisez pas le balai vapeur avec les mains humides.
- ◆ Le fil ne doit pas être tiré ou servir de poignée. Il ne doit pas être coincé par une porte, glisser sur des coins anguleux ou approcher de surfaces chaudes.
- ◆ N'utilisez pas l'appareil dans un espace restreint où se dégage de la vapeur provenant d'un diluant chimique, certaines substances antimites, de la poussière inflammable ou autres vapeurs explosives ou toxiques.
- ◆ Vérifiez le type de sol avec le fabricant.
- ◆ N'utilisez pas sur du cuir, des meubles ou des sols cirés, des tissus synthétiques, des velours ou autres tissus délicats, des matériaux ne résistant pas à la vapeur.



Avertissement ! N'utilisez pas sur des sols en bois ou en bois lamellé non vernis. Sur les surfaces traitées avec de la cire ou sur certains sols non cirés, la chaleur et les vapeurs peuvent faire disparaître la brillance. Il est toujours recommandé de tester sur une zone de la surface à nettoyer avant de commencer. Nous recommandons aussi de vérifier les instructions d'utilisation et de précautions du fabricant du sol.

- ◆ Ne jamais utiliser de détartrant, de produit parfumé, d'alcool ou de détergents dans le balai vapeur, ceci aurait pour effet de l'endommager, voire même d'être dangereux.
- ◆ Si le disjoncteur se déclenche pendant l'utilisation du balai vapeur, arrêtez immédiatement de l'utiliser et contactez le service client. (Soyez prudent face au risque de choc électrique).
- ◆ L'appareil diffuse de la vapeur à très haute température pour désinfecter la zone d'utilisation. Cela signifie que

les embouts deviennent extrêmement chauds.

Attention ! Portez toujours des chaussures adaptées pour utiliser le balai vapeur ainsi que pour changer d'accessoire. Ne portez pas de chaussons ou de pieds-nus.

- ◆ Le couvercle peut devenir chaud pendant l'utilisation.
- ◆ La vapeur peut s'échapper de l'appareil pendant l'utilisation. Toutes les précautions doivent être prises pour utiliser l'appareil. **NE TOUCHEZ AUCUNE PIÈCE** qui pourrait devenir chaude.
- ◆ Mettez l'appareil hors tension et placez le manche en position verticale avant de retirer le réservoir d'eau.
- ◆ Si la vapeur s'échappe du corps du nettoyeur vapeur, éteignez l'appareil et débranchez-le du secteur. Laissez-le refroidir. Contactez le réparateur agréé le plus proche de chez vous. N'utilisez plus l'appareil.

Après utilisation

- ◆ Débranchez l'appareil et laissez-le refroidir avant de le nettoyer.
- ◆ Quand il n'est pas utilisé, l'appareil doit être rangé dans un endroit sec.
- ◆ Les enfants ne doivent jamais avoir accès aux appareils un fois qu'ils sont rangés.

Vérification et réparations

- ◆ Avant toutes opérations d'entretien ou réparations, débranchez l'appareil et laissez-le refroidir.

- ◆ Avant d'utiliser l'appareil, vérifiez qu'aucune de ses pièces n'est endommagée ou défectueuse. Contrôlez l'absence de pièces cassées, d'interrupteurs endommagés et de toutes autres anomalies susceptibles de nuire au bon fonctionnement de l'appareil.
- ◆ Vérifiez régulièrement l'état du fil électrique.
- ◆ N'utilisez pas l'appareil si l'une de ses pièces est endommagée ou défectueuse.
- ◆ Faites réparer ou remplacer les pièces défectueuses ou endommagées par un réparateur agréé.
- ◆ Ne tentez jamais de retirer ou de remplacer des pièces autres que celles indiquées dans ce manuel.

Sécurité des personnes

- ◆ Cet appareil peut être utilisé par des enfants de 8 ans ou plus et par des personnes aux capacités physiques, mentales ou sensorielles déficientes ou qui manquent d'expérience ou de connaissance s'ils sont supervisés ou ont été formés à l'utilisation sûre de l'appareil et qu'ils sont conscients des risques potentiels. Ne laissez pas les enfants jouer avec l'appareil. Le nettoyage et la maintenance à réaliser par l'utilisateur ne doivent pas être entrepris par des enfants sans surveillance.
- ◆ Les enfants doivent être surveillés pour garantir qu'ils ne jouent pas avec l'appareil.

Risques résiduels

Certains risques résiduels autres que ceux mentionnés dans les avertissements sur la sécurité peuvent survenir en utilisant l'outil. Ces risques peuvent être provoqués par une utilisation incorrecte, prolongée, etc. Malgré l'application des normes de sécurité pertinentes et la mise en œuvre de dispositifs de sécurité, certains risques résiduels ne peuvent pas être évités. Ils comprennent :

- ◆ Les blessures dues au contact avec des pièces mobiles.
- ◆ Les blessures dues au contact avec des pièces brûlantes.
- ◆ Les blessures dues au changement de pièces ou d'accessoires.
- ◆ Les blessures dues à l'utilisation prolongée de l'appareil. Lorsque vous utilisez l'appareil pendant de longues périodes, assurez-vous de faire des pauses régulières.

Sécurité électrique



Avvertimento ! Cet appareil doit être relié à la terre. Assurez-vous toujours que l'alimentation électrique correspond à la tension mentionnée sur la plaque signalétique.

La fiche d'alimentation doit correspondre à la prise de courant. Ne modifiez jamais la prise d'aucune sorte. L'utilisation de prises d'origine et de prises murales appropriées permet de réduire le risque de choc électrique.

- ◆ Si le câble d'alimentation est endommagé, il doit être remplacé par le fabricant ou par un centre d'assistance BLACK+DECKER agréé afin d'éviter tout accident.

Rallonges et produit de Classe 1

- ◆ Un câble tripolaire doit être utilisé quand l'appareil est relié à la terre et de Classe 1.
- ◆ Une longueur de 30 m (100 ft) peut être utilisée sans perte de puissance.

Étiquettes apposées sur l'appareil

Les pictogrammes suivants ainsi que le code date sont apposés sur l'outil.



ATTENTION Vapeur bouillante. Risque de brûlures.



Ruissellement d'eau lorsque l'appareil est utilisé à l'envers



La vapeur s'échapper de tous les côtés



Ne laissez l'appareil sans surveillance en présence de jeunes enfants



Lavez à 60°C. N'utilisez pas d'eau de javel, ni d'adoucissant



Attention ! Surface chaude

Caractéristiques

Cet appareil présente tout ou partie des caractéristiques suivantes.

1. Interrupteur Marche/Arrêt
2. Molette Autoselect™
3. Poignée de l'appareil à vapeur portable
4. Bouchon de remplissage
5. Appareil à vapeur portable
6. Poignée
7. Crochet supérieur de retenue de câble
8. Poignée principale
9. Crochet inférieur de retenue de câble
10. Bouton de libération de l'appareil à vapeur portable
11. Corps principal
12. Tête de nettoyage de sol
- 12a. Tête de nettoyage de sol avec booster vapeur
- 12b. Accessoire moquette
(à utiliser sur les tapis)
13. Patin de nettoyage de sol
14. Languette de libération du patin de nettoyage de sol
15. Patte d'accrochage
16. Tuyau de vapeur
17. Buse vapeur
18. Brosse d'angle
(à utiliser sur les taches tenaces)
- 18a. Brosse d'angle BBQ (brosse métallique)
19. Brosse
(à utiliser sur le carrelage / les joints)
20. Raclette
(à utiliser sur les pare-douches / le verre / les miroirs /
les garnitures/ les tissus d'ameublement)
- 20a. Chaussette de raclette
21. Grande raclette
(à utiliser sur les pare-douches / le verre / les miroirs /
les garnitures/ les tissus d'ameublement)
- 21a. Grande chaussette de raclette
22. Brosse avec booster vapeur
- 22a. Brosse métallique avec booster de vapeur
(à utiliser pour les BBQ / fours)
- 22b. Brosse avec booster de vapeur
(à utiliser pour les BBQ / fours / réchauds / robinets /
joints)
- 22c. Grande brosse avec booster de vapeur
(à utiliser sur les plus grandes surfaces)
23. Tête triangulaire
(à utiliser sur les garnitures / les tissus d'ameublement
/ les plus grandes surfaces)
- 23a. Patin de nettoyage pour surface plate
- 23b. Accessoire vapeur pour vêtements
(à utiliser sur vêtements / les tissus d'ameublement)
- 23c. Brosse vapeur pour vêtements
(à utiliser sur vêtements / les tissus d'ameublement)
- 23d. Patin vapeur pour vêtements
(à utiliser sur vêtements / les tissus d'ameublement)
- 23e. Tête triangulaire pour tapis
25. SteaMitt™

26. Tuyau SteaMitt™
27. Patin de nettoyage SteaMitt™
- 27a. Patin de nettoyage 2 SteaMitt™
- 27b. Patin de nettoyage 3 SteaMitt™
28. Buse réglable

Configuration

	F S M H 1 3 2 1	F S M H 1 3 5 1 S M	F S M H 1 3 1 0 1 S M	F S M H 1 3 1 5 1 S M	F S M H 1 3 2 1 J	F S M H 1 3 2 1 J S M	F S M H 1 3 2 1 J M D	Réglages de vapeur recommandés
12	✓	✓	✓	✓	✓	✓	✓	Tous
12a			✓	✓	✓	✓	✓	Tous
12b				✓	✓	✓	✓	Tous
13	✓	✓	✓	✓	✓	✓	✓	Tous
16	✓	✓	✓	✓	✓	✓	✓	Tous
18	✓	✓		✓	✓	✓		Tous
18a				✓	✓	✓		Tous
19	✓	✓			✓	✓		Tous
20	✓	✓	✓	✓				*
20a	✓	✓	✓	✓				*
21					✓	✓	✓	*
21a					✓	✓	✓	*
22			✓	✓			✓	Tous
22a			✓	✓			✓	Tous
22b			✓	✓			✓	Tous
22c			✓	✓			✓	Tous
23							✓	Tous
23a							✓	Tous
23b							✓	*
23c							✓	*
23d							✓	*
23e							✓	*
25		✓	✓	✓		✓	✓	*
26		✓	✓	✓		✓	✓	*
27		✓	✓	✓		✓	✓	*
27a							✓	*
27b							✓	*
28				✓	✓	✓	✓	Tous

Assemblage



Avertissement ! Avant d'exécuter ce qui suit, assurez-vous que l'appareil est éteint, débranché, qu'il est froid et ne contient pas d'eau.

Fixer le manche (Fig. A)

- ◆ Glissez l'extrémité du manche (8) en haut du corps du balai vapeur (11) jusqu'à ce qu'elle soit enclenchée.

Fixer le nettoyeur vapeur à main (Fig. B)

- ◆ Tout en maintenant l'arrière du corps du balai vapeur (11), poussez fermement le nettoyeur vapeur à main (5) dans le corps du balai vapeur (11) en vous assurant qu'il est correctement en place dans le raccord (11a) et qu'il est bien enclenché.

Retirer le nettoyeur vapeur à main (Fig. B)

- ◆ Enfoncez le bouton de libération (10) sur le corps principal (11) et soulevez le nettoyeur vapeur à main (5) hors du raccord (11a) pour l'éloigner du corps principal (11).

Fixer un patin de nettoyage (Fig. C)

Vous trouverez des patins de nettoyage de rechange auprès de votre revendeur BLACK+DECKER :- (n° de pièce FSMP20-XJ).

- ◆ Placez un patin de nettoyage (13) sur le sol, côté avec la boucle en Velcro vers le haut.
- ◆ Appuyez légèrement le balai vapeur sur le patin de nettoyage (13).

Remarque : Cet appareil peut être livré avec un tête de nettoyage pour les sols standard (12) ou une tête de nettoyage vapeur (12a). Dans les deux cas utilisez ces instructions pour installer le patin de nettoyage.

Attention ! Ne laissez jamais le balai vapeur trop longtemps au même endroit. Placez toujours le balai vapeur, manche (8) à la verticale et assurez-vous que le balai est éteint lorsqu'il n'est pas utilisé.

Retirer le patin de nettoyage

Attention ! Portez toujours des chaussures adaptées pour remplacer le patin de nettoyage de votre balai vapeur.

Ne portez pas de chaussons ou de pieds-nus.

- ◆ Remplacez le manche (8) en position verticale et éteignez le balai vapeur (OFF).
- ◆ Attendez que le balai vapeur ait refroidi (environ 5 minutes).
- ◆ Retirez le balai vapeur du patin de nettoyage en enlevant la fixation Velcro.

Attention ! Ne laissez jamais le balai vapeur trop longtemps au même endroit.

Placez toujours le balai vapeur, manche (8) à la verticale et assurez-vous que le balai est éteint lorsqu'il n'est pas utilisé.

Remplir le réservoir d'eau (Fig. Q)

Remarque ! Remplissez le réservoir d'eau avec de l'eau propre du robinet (n'utilisez aucun additif ou produit chimique).

Remarque ! Dans les zones où l'eau est très calcaire, l'utilisation d'eau déminéralisée est recommandée.

- ◆ Ouvrez le bouchon de remplissage (4) en le basculant vers le haut.
- ◆ Remplissez le réservoir d'eau avec de l'eau (n'utilisez aucun additif ou produit chimique).

Avertissement ! Lors du remplissage détachez-le du module principal et gardez-le à l'horizontal.

Avertissement ! La capacité du réservoir d'eau est de 0,5 litre. Ne remplissez pas trop le réservoir.

- ◆ Refermez le bouchon de remplissage (4).

Remarque ! Assurez-vous que le bouchon de remplissage est fermement refermé.

Fixer l'accessoire pour tapis (12b) (à utiliser sur les tapis uniquement)

- ◆ Placez l'accessoire pour tapis (12b) sur le sol.
- ◆ Fixez un patin de nettoyage sur la tête de nettoyage pour sol (12)
- ◆ Appuyez légèrement le balai vapeur sur l'accessoire pour tapis (12b) jusqu'à ce qu'il s'enclenche en place.

Attention ! Ne laissez jamais le balai vapeur trop longtemps au même endroit. Placez toujours le balai vapeur, manche (8) à la verticale et assurez-vous que le balai est éteint lorsqu'il n'est pas utilisé.

Retirer l'accessoire pour tapis

Attention ! Portez toujours des chaussures adaptées pour changer l'accessoire moquette du balai vapeur. Ne portez pas de chaussons ou de pieds-nus.

- ◆ Remplacez le manche (8) en position verticale et éteignez le balai vapeur (OFF).
- ◆ Attendez que le balai vapeur ait refroidi (environ 5 minutes).
- ◆ Placez l'avant de votre chaussure sur la languette de libération de l'accessoire pour tapis et appuyez fermement dessus.
- ◆ Soulevez le balai vapeur pour dégager l'accessoire pour tapis.

Attention ! Ne laissez jamais le balai vapeur trop longtemps au même endroit. Placez toujours le balai vapeur, manche (8) à la verticale et assurez-vous que le balai est éteint lorsqu'il n'est pas utilisé.

Fixation du tuyau et des accessoires sur le nettoyeur à vapeur portable (Fig. G - O)

Avertissement ! Contrôlez le joint entre le point de raccordement du nettoyeur vapeur portable (5) et le tuyau de vapeur (16) avant chaque utilisation. Si le joint dysfonctionne ou est endommagé, contactez le réparateur agréé Black & Decker le plus proche. N'utilisez plus l'appareil.

Avertissement ! L'appareil doit être éteint avant d'y installer le tuyau.

Fixer le tuyau

- ◆ Appuyez sur le bouton de libération du tuyau de vapeur (16a) sur le tuyau de vapeur (16).
- ◆ Raccordez le tuyau de vapeur (16) au nettoyeur vapeur à main (5) et relâchez le bouton de libération du tuyau de

vapeur (16a) en vous assurant que le tuyau est bien en place.

Important ! Assurez-vous que le tuyau de vapeur (16) est correctement raccordé avant d'utiliser le nettoyeur à vapeur portable (5). Si de la vapeur s'échappe du joint, cela indique que le tuyau n'est pas correctement installé. Éteignez l'appareil et laissez-le refroidir avant de retirer et de réinstaller le tuyau.

Fixer des accessoires (Fig. H)

- ◆ Alignez les pattes sur la buse vapeur (17) avec les encoches de l'accessoire.
- ◆ Enfoncez l'accessoire sur la buse vapeur (17) et tournez-le dans le sens inverse des aiguilles d'une montre jusqu'à ce qu'il s'enclenche en place.

Important ! Tous les accessoires, à l'exception du SteaMitt™ (25) qui dispose de son propre tuyau et son propre raccord (26) doivent être raccordés au tuyau de vapeur (16) pour être utilisés.

Retrait du tuyau et des accessoires

Avertissement ! Le tuyau de vapeur (16), la buse vapeur (17) et les accessoires deviennent chauds pendant l'utilisation. Laissez l'appareil et tous les accessoires refroidir avant de retirer ces derniers.

Retirer un accessoire

- ◆ Tournez l'accessoire dans le sens des aiguilles d'une montre, avant de le tirer hors du tuyau (16).

Retirer le tuyau

- ◆ Appuyez sur le bouton de libération du tuyau de vapeur (16a) sur le tuyau de vapeur (16) et retirez ce dernier du module vapeur à main.

SteaMitt™

Votre BLACK+DECKER™ SteaMitt™ a été conçu pour désinfecter et nettoyer les carrelages, plans de travail, surfaces de cuisine et de salles de bain. Cet appareil n'est destiné qu'à une utilisation à l'intérieur et exclusivement domestique.

Fixation du tuyau du SteaMitt™ sur le module vapeur portable

Avertissement ! Inspectez le joint de la buse vapeur et le tuyau avant chaque utilisation. Si le joint est endommagé ou manquant, contactez le réparateur agréé Black & Decker le plus proche. **N'utilisez plus l'appareil.** Inspectez le joint du SteaMitt™ et le tuyau. Si le joint manque, s'il est endommagé ou que de la vapeur s'échappe, contactez votre réparateur agréé le plus proche. **N'utilisez plus l'appareil.** Assurez-vous que le tuyau du SteaMitt™ ou le tube raccord ne sont ni bloqués ni entravés. S'ils le sont, contactez le centre de

réparation agréé le plus proche. **N'utilisez plus l'appareil.**

Installer un patin de nettoyage sur le SteaMitt™ (Fig. L)

Avertissement ! Assurez-vous que les orifices d'échappement de la vapeur ne sont pas bloqués ou entravés. S'ils le sont, contactez le centre de réparation agréé le plus proche. **N'utilisez pas l'appareil.**

- ◆ Installez le patin de nettoyage (27) sur le SteaMitt™ (25) en fixant les bandes Velcro "bouclées" (27a) de la partie supérieure du patin de nettoyage sur les coussinets Velcro "crochetés" (25a) sous le SteaMitt™ (4). Appuyez fermement.

Avertissement ! Le SteaMitt™ ne doit pas être utilisé si le patin de nettoyage n'est pas installé.

Remarque : Le SteaMitt™ peut accueillir 4 types de patins de nettoyage de différentes épaisseurs. Patin de décapage (à utiliser pour les taches tenaces et les surfaces robustes), Patin pour salle de bain (à utiliser sur les robinets et les autres surfaces moulées des salles de bains), Patins standard (à utiliser sur toutes les grandes surfaces) et Patin de polissage (à utiliser sur les surfaces délicates).

Avertissement ! Utilisez toujours le SteaMitt™ comme illustré par la figure M, votre main à l'intérieur du gant de protection.



Avertissement ! Ne tentez jamais d'utiliser le SteaMitt™ en



le tenant par l'extérieur, comme illustré par la figure N.

Vous pourriez sinon vous brûler.



Avertissement ! Évitez d'utiliser le SteaMitt™ dans des coins étroits comme illustré par la figure O.



Avertissement ! En cas de problème pendant l'utilisation, utilisez la languette de libération rapide pour pouvoir rapidement retirer votre main du SteaMitt™ comme illustré par la figure P.



Avertissement ! N'utilisez pas le SteaMitt™ sur du verre froid, comme des fenêtres par exemple, car le choc thermique pourrait provoquer des dégâts.



Avertissement ! Ne pointez et ne dirigez jamais le SteaMitt vers vous-même ou d'autres personnes.

Remarque : Il est recommandé d'utiliser SteaMitt au réglage 1 afin d'éviter que le patin ne soit trop mouillé.

Utilisation

Important ! Cet appareil détruit 99.9 % des bactéries et germes pour autant qu'il soit utilisé conformément aux consignes décrites dans le présent manuel, avec de patins en microfibre et en fonctionnant en continu pendant 90 secondes.

Allumage et extinction

- ◆ Pour mettre l'appareil en marche, appuyez sur l'interrupteur Marche/Arrêt (1). Le balai vapeur a besoin d'environ 15 secondes pour chauffer.
- ◆ Pour éteindre l'appareil, appuyez sur l'interrupteur Marche/Arrêt (1).

Remarque : gardez toujours votre main à l'intérieur du SteaMitt™ avant d'appuyer sur le bouton de vapeur.

Attention ! Ne laissez jamais le balai vapeur trop longtemps au même endroit.

Placez toujours le balai vapeur, manche (8) à la verticale et assurez-vous que le balai est éteint lorsqu'il n'est pas utilisé.




Attention ! Videz toujours le balai vapeur après utilisation.

Remarque ! Au premier remplissage ou après avoir fonctionné à vide, la production de vapeur peut prendre jusqu'à 45 secondes.

Technologie Autoselect™ (Fig. R)

Ce balai vapeur est équipé d'une molette Autoselect™ (2) qui permet différents types de nettoyage. Elle permet de sélectionner le mode de fonctionnement approprié au nettoyage que vous souhaitez.

Grâce à Autoselect™, choisissez l'une des applications suivantes en tournant la molette Autoselect™ (2) jusqu'à atteindre le réglage voulu.

Réglage	Balai	À main
	Bois/Lamellé	Vapeur faible ●
	Carrelage/Vinyle	Vapeur moyenne ● ●
	Pierre/Marbre	Vapeur élevée ● ● ●

Le balai vapeur sélectionne le volume de vapeur approprié au nettoyage choisi.

Remarque : Contrôlez toujours que le réglage est correct avant d'utiliser votre balai vapeur.

Booster vapeur (Fig. C1) (uniquement disponible sur les modèles FSMH1310SM, FSMH13151SM, FSMH1321J, FSMH1321JMD, FSMH1321JSM)

La tête pour sol (12a) est équipée d'une pédale pour booster la vapeur afin de supprimer les marques et les taches tenaces.

- ◆ Pendant l'utilisation, appuyez sur la pédale booster vapeur pour libérer plus de vapeur.
- ◆ Pour revenir à un mode de fonctionnement normal, appuyez à nouveau sur la pédale.

Conseils pour une utilisation optimale

Généralités

Attention : N'utilisez jamais le balai vapeur sans y avoir d'abord fixé un patin de nettoyage.

- ◆ Aspirez toujours le sol ou balayez-le avant d'utiliser le balai vapeur.
- ◆ Le moyen le plus facile d'utiliser l'appareil est d'incliner le manche à 45° et ne nettoyez lentement, en couvrant de faibles surfaces à la fois.
- ◆ Utilisez uniquement de l'eau dans votre balai vapeur, sans aucun additif ou produit chimique. Afin d'éliminer les taches tenaces sur les sols en vinyle ou en lino, vous pouvez les prétraiter avec un mélange de détergent doux et d'eau, avant d'utiliser le balai vapeur.

Nettoyer à la vapeur avec le balai

- ◆ Fixez le nettoyeur vapeur à main (5) sur le corps du balai vapeur (11)
- ◆ Placez un patin de nettoyage (13) sur le sol, côté avec la Velcro "bouclé" vers le haut.
- ◆ Appuyez légèrement le balai vapeur sur le patin de nettoyage (13).
- ◆ Branchez le balai vapeur au secteur.
- ◆ Appuyez sur le bouton marche/arrêt (1). Le balai vapeur a besoin d'environ 15 secondes pour chauffer.
- ◆ Tournez la molette Autoselect™ (2) jusqu'à atteindre le réglage voulu. Après quelques secondes, la vapeur commence à sortir de la tête vapeur.

Remarque ! Au premier remplissage ou après avoir fonctionné à vide, la production de vapeur peut prendre jusqu'à 45 secondes.

- ◆ La vapeur prend quelques secondes pour atteindre le patin de nettoyage. Une fois fait, le balai vapeur glisse facilement sur la surface à désinfecter/nettoyer.
- ◆ Déplacez lentement le balai vapeur d'avant en arrière sur la surface pour nettoyer chaque zone à fond grâce à la vapeur.
- ◆ Une fois terminé, relevez le manche (8) à la verticale en vous assurant qu'il est soutenu et éteignez le balai. Attendez que le balai vapeur ait refroidi (environ cinq minutes).

Attention ! Il est important de surveiller le niveau d'eau dans le réservoir. Pour faire le plein d'eau et continuer à désinfecter/nettoyer, placez le balai à la verticale en vous assurant que le manche est soutenu et éteignez le balai vapeur. Débranchez l'appareil de la prise de courant murale, et remplissez le réservoir d'eau.

Attention ! Ne laissez jamais le balai vapeur trop longtemps au même endroit. Placez toujours le balai vapeur, manche (8) à la verticale et assurez-vous que le balai est éteint lorsqu'il n'est pas utilisé.

Rafraîchissement des tapis et moquettes

- ◆ Placez un patin de nettoyage (13) sur le sol, côté Velcro "bouclée" vers le haut.
- ◆ Appuyez légèrement le balai vapeur sur le patin de nettoyage.
- ◆ Placez l'accessoire pour tapis (12b) sur le sol.
- ◆ Appuyez légèrement le balai vapeur sur l'accessoire pour tapis jusqu'à ce qu'il s'enclenche en place.
- ◆ Branchez le balai vapeur au secteur.
- ◆ Appuyez sur le bouton marche/arrêt (1). Le balai vapeur a besoin d'environ 15 secondes pour chauffer.
- ◆ Tournez la molette Autoselect™ (2) sur la position Bois/Lamellé.
- ◆ Poussez et tirez lentement le balai vapeur sur la moquette pour la rafraîchir.
- ◆ Après avoir utilisé le balai vapeur, remplacez le manche (8) à la position et éteignez l'appareil. Attendez que le balai vapeur ait refroidi (environ cinq minutes).

Après utilisation

- ◆ Tournez la molette Autoselect™ (2) sur la position Arrêt.
- ◆ Attendez que le balai vapeur refroidisse.
- ◆ Débranchez le balai vapeur de la prise murale.
- ◆ Videz le réservoir d'eau.
- ◆ Retirez le patin de nettoyage (13) et lavez-le pour qu'il soit prêt pour la prochaine utilisation (prenez soin de respecter les instructions de lavage imprimées sur les patins de nettoyage).
- ◆ Entourez le câble d'alimentation autour des crochets de retenue de câble (7 et 9).
- ◆ La poignée (6) intègre une patte d'accrochage (15) qui permet de suspendre votre balai vapeur sur un support adapté fixé au mur. Vérifiez que le crochet mural peut supporter le poids du balai vapeur en toute sécurité.

Nettoyer à la vapeur avec le module à main

Avertissement ! ! Maintenez l'appareil à l'horizontale pendant l'utilisation.

- ◆ Fixez l'accessoire nécessaire.
- ◆ Raccordez le nettoyeur vapeur à main au secteur.
- ◆ Appuyez sur le bouton marche/arrêt (1). Le balai vapeur a besoin d'environ 15 secondes pour chauffer.
- ◆ Tournez la molette Autoselect™ (2) jusqu'à atteindre le bon réglage. Après quelques secondes, la vapeur commence à sortir de la tête vapeur.

Remarque ! Au premier remplissage ou après avoir fonctionné à vide, la production de vapeur peut prendre jusqu'à 45 secondes.

- ◆ Quand vous avez fini de vous servir du nettoyeur vapeur à main, tournez la molette Autoselect™ (2) en position Arrêt. Éteignez l'appareil en appuyant sur le bouton Marche/Arrêt (1) et débranchez-le du secteur.

Patiencez jusqu'à ce que l'appareil refroidisse avant de le ranger (environ cinq minutes).

Accessoires

Les performances de votre appareil dépendent des accessoires utilisés. Les accessoires BLACK+DECKER sont élaborés dans le respect de normes de qualité supérieures et ils sont conçus pour améliorer les performances de votre appareil. L'utilisation de ces accessoires vous permet de tirer le meilleur de votre équipement.

Caractéristiques techniques

FSMH1321		
Tension	V _{ca}	230
Puissance	W	1300
Capacité du réservoir	ml	500
Poids	kg	2,7

FSMH1351SM		
Tension	V _{ca}	230
Puissance	W	1300
Capacité du réservoir	ml	500
Poids	kg	2,7

FSMH13101SM		
Tension	V _{ca}	230
Puissance	W	1300
Capacité du réservoir	ml	500
Poids	kg	2,8

FSMH13151SM		
Tension	V _{ca}	230
Puissance	W	1300
Capacité du réservoir	ml	500
Poids	kg	2,8

FSMH1321J		
Tension	V _{ca}	230
Puissance	W	1300
Capacité du réservoir	ml	500
Poids	kg	2,7

FSMH1321JSM		
Tension	V _{ca}	230
Puissance	W	1300
Capacité du réservoir	ml	500
Poids	kg	2,8

FSMH1321JMD		
Tension	V _{ca}	230
Puissance	W	1300
Capacité du réservoir	ml	500
Poids	kg	2,8

Dépannage

Si votre appareil semble ne pas fonctionner correctement, suivez les instructions ci-dessous. Si le problème persiste, veuillez contacter votre réparateur local BLACK+DECKER.

Problème	Étape	Solution possible
Le balai vapeur ne s'allume pas	1.	Vérifiez que l'appareil est branché dans une prise murale.
	2.	Vérifiez que l'appareil a bien été allumé à l'aide de l'interrupteur Marche/Arrêt (1)
	3.	Vérifiez le fusible de la prise.
Le balai vapeur ne diffuse pas de vapeur	4.	Le balai vapeur ne produit de la vapeur que si le nettoyeur vapeur portable (5) est correctement raccordé au corps principal (11) ou que le tuyau de vapeur est installé ou si la molette Autoselect™ est en position Marche
	5.	Vérifiez que le réservoir d'eau est plein. Remarque : Au premier remplissage ou après avoir fonctionné à vide, la production de vapeur peut prendre jusqu'à 45 minutes.
	6.	Vérifiez l'étape 1, puis 2, puis 3
Le balai vapeur cesse de produire de la vapeur pendant l'utilisation	7.	Vérifiez l'étape 4, puis 5, puis 3
Le balai vapeur produit trop de vapeur pendant l'utilisation	8.	Tournez la molette Autoselect™ (2) dans le sens inverse des aiguilles d'une montre afin de réduire la quantité de vapeur produite
Le balai vapeur produit trop peu de vapeur pendant l'utilisation	9.	Tournez la molette Autoselect™ (2) dans le sens des aiguilles d'une montre afin d'augmenter la quantité de vapeur produite
Le nettoyeur vapeur portable ne produit aucune vapeur	10.	Vérifiez que la molette Autoselect™ (2) est en position Marche
	11.	Vérifiez l'étape 5, puis 1, puis 2, puis 3
Le nettoyeur vapeur portable produit trop peu de vapeur pendant l'utilisation	12.	Tournez la molette Autoselect™ (2) dans le sens des aiguilles d'une montre afin d'augmenter la quantité de vapeur produite
	13.	Vérifiez l'étape 5
Le nettoyeur vapeur portable produit trop de vapeur pendant l'utilisation	14.	Tournez la molette Autoselect™ (2) dans le sens inverse des aiguilles d'une montre afin de réduire la quantité de vapeur produite
Les accessoires tombent de l'appareil	15.	Consultez le chapitre sur l'assemblage pour savoir comment correctement installer les pièces et les accessoires
De la vapeur s'échappe par des zones non prévues de l'appareil	16.	Consultez le chapitre sur l'assemblage pour savoir comment correctement installer les pièces et les accessoires
Où puis-je obtenir plus d'informations/d'accessoires	17.	www.blackanddecker.co.uk/steam mop www.blackanddecker.ie/steam mop

Nettoyage et entretien

Votre appareil filaire BLACK+DECKER a été conçu pour fonctionner pendant longtemps avec un minimum d'entretien. Le fonctionnement continu et satisfaisant de l'appareil dépend d'un entretien adéquat et d'un nettoyage régulier.

Avertissement ! Avant d'effectuer toute opération de maintenance ou de nettoyage sur des appareils filaires, éteignez-les et débranchez-les.

- ◆ Nettoyez régulièrement l'appareil à l'aide d'un chiffon doux humide.
- ◆ Pour les taches résistantes, vous pouvez utiliser un mélange d'eau et de savon imbibé sur un chiffon.

Entretien des patins de nettoyage

Consignes de lavage– Pas d'assouplissant – Doit être parfaitement sec avant d'être réutilisé.

Attention ! Respectez les instructions de nettoyage imprimées sur l'étiquette du patin de nettoyage.

Remplacer la prise secteur (RU et Irlande uniquement)

Si une nouvelle prise secteur doit être installée :

- ◆ Mettez au rebut la vieille prise.
- ◆ Raccordez le fil marron à la borne de phase de la nouvelle prise.
- ◆ Raccordez le fil bleu à la borne du neutre.
- ◆ Raccordez le fil vert/jaune à la borne de terre.

Avertissement ! Suivez les instructions d'installation fournies avec les prises de bonne qualité. Fusible recommandé : 13A.

Protection de l'environnement



Tri sélectif. Les produits et batteries marqués de ce symbole ne doivent pas être jetés avec les déchets ménagers.

Les produits et batteries contiennent des matières qui peuvent être récupérées et recyclées afin de réduire la demande en matières premières.

Veillez à recycler les produits électriques et les piles et batteries conformément aux prescriptions locales en vigueur. Plus d'informations sont disponibles sur le site www.2helpU.com

Garantie

Black & Decker assure la qualité de ses produits et offre une garantie de 24 mois aux utilisateurs, à partir de la date d'achat. Cette garantie s'ajoute à vos droits légaux auxquels elle ne porte aucunement préjudice. Cette garantie est valable au sein des territoires des États membres de l'Union Européenne et au sein de la Zone européenne de libre-échange.

Pour prétendre à la garantie, la réclamation doit être en conformité avec les conditions générales de Black&Decker et vous devez fournir une preuve d'achat au vendeur ou au réparateur agréé. Les conditions générales de la garantie de 2 ans Black&Decker ainsi que l'adresse du réparateur agréé le plus proche sont disponibles sur le site Internet www.2helpU.com ou en contactant votre agence Black & Decker locale à

l'adresse indiquée dans ce manuel.

Accédez à notre site Internet www.blackanddecker.co.uk pour enregistrer

votre nouveau produit Black & Decker et être informé des nouveaux produits et des offres spéciales.

Uso previsto

La scopa a vapore FSMH1321, FSMH1351SM, FSMH13101SM, FSMH13151SM, FSMH1321J, FSMH1321JSM, FSMH1321JMD BLACK+DECKER™ è stata progettata per igienizzare e pulire pavimenti in legno duro sigillato, laminato sigillato, linoleum, vinile, piastrelle, pietra e marmo. Questo apparecchio è stato concepito esclusivamente per uso domestico e all'interno.

Istruzioni di sicurezza



Avvertenza! Leggere attentamente tutte le avvertenze e le istruzioni.

L'inosservanza delle avvertenze e istruzioni elencate di seguito potrebbe dar luogo a scossa elettrica, incendi e/o lesioni gravi alle persone.



Avvertenza! Quando si usano elettrodomestici alimentati elettricamente, osservare sempre le normali precauzioni di sicurezza per ridurre il rischio di incendio, scossa elettrica, lesioni personali e danni materiali.

- ◆ L'uso previsto è descritto in questo manuale.
Se questo apparecchio viene utilizzato con accessori o per impieghi diversi da quelli raccomandati in questo manuale vi è il rischio che si verifichino lesioni alle persone.

- ◆ Conservare questo manuale per successiva consultazione.

Impiego dell'apparecchio

- ◆ Non puntare il getto di vapore verso persone, animali, apparecchiature elettriche o prese di corrente.
- ◆ Non esporre alla pioggia.
- ◆ Non immergere l'apparecchio in acqua.
- ◆ Non lasciare l'apparecchio incustodito.
- ◆ Non lasciare l'apparecchio collegato a una presa di corrente quando non viene usato.
- ◆ Non tirare mai il cavo di alimentazione per scollegare l'alimentatore dalla presa di corrente. Tenere il cavo dell'apparecchio lontano da calore, olio e bordi taglienti.
- ◆ Non usare la scopa a vapore con le mani bagnate.
- ◆ Non tirarla o trasportarla dal cavo di alimentazione, non usare il cavo come manico, non chiudere la porta incastrando il cavo, non tirare il cavo attorno a spigoli aguzzi e non appoggiarlo su superfici riscaldate.
- ◆ Non usare l'apparecchio in ambienti chiusi pieni di vapori esalati da solventi per vernici a olio, sostanze antitarne, polveri infiammabili o altri vapori esplosivi o tossici.
- ◆ Controllare il tipo di pavimentazione rivolgendosi al fabbricante.
- ◆ Non usare su pellame, mobili o pavimenti lucidati a cera, tessuti sintetici, velluto o altri tessuti delicati sensibili al vapore.



Avvertenza! Non usare su pavimenti in legno o in laminato non sigillati. Sulle superfici trattate con cera o su alcuni pavimenti senza cera, l'azione del calore e del vapore potrebbero eliminare la lucentezza. Si consiglia sempre di fare una prova su di un'area isolata della superficie da pulire prima di procedere. Consigliamo anche di controllare le istruzioni d'uso e manutenzione fornite dal fabbricante della pavimentazione.

- ◆ Non versare mai prodotti anticalcare, aromatici, alcolici o detergenti nella scopa a vapore per non danneggiarla o renderne poco sicuro l'impiego.
- ◆ Se l'interruttore differenziale dell'impianto elettrico domestico scatta mentre si usa la funzione vapore, interrompere immediatamente l'uso del prodotto e rivolgersi al centro di assistenza clienti. (Prestare attenzione al rischio di scossa elettrica.)
- ◆ L'apparecchio espelle vapore molto caldo per igienizzare l'area in cui viene usato. Questo significa che la testa di emissione del vapore, i panni per la pulizia e l'accessorio per la moquette diventano molto caldi durante l'impiego.

Attenzione! Indossare sempre scarpe idonee durante l'impiego della scopa a vapore e quando se ne sostituiscono gli accessori.

Non indossare pantofole o sandali aperti.

- ◆ Il coperchio potrebbe riscaldarsi molto durante l'impiego.
- ◆ Il vapore potrebbe fuoriuscire dall'apparecchio durante l'uso. Prestare attenzione quando si usa questo apparecchio. **NON** toccare nessuna parte che potrebbe diventare molto calda durante l'uso.
- ◆ Spegnerne l'apparecchio e riportare il manico in posizione verticale prima di togliere il serbatoio dell'acqua.
- ◆ Se si nota una fuoriuscita di vapore dal corpo della scopa a vapore, spegnerla, scollegarla dall'alimentazione di rete e lasciarla raffreddare. Contattare il tecnico autorizzato più vicino. Non continuare a usare l'apparecchio.

Dopo l'uso

- ◆ Scollegare l'apparecchio dalla presa di corrente e lasciare che si raffreddi prima di pulirlo.
- ◆ Quando non viene usato, l'apparecchio deve essere conservato in un luogo asciutto.
- ◆ L'apparecchio non deve essere riposto alla portata dei bambini.

Ispezione e riparazioni

- ◆ Prima di eseguire la manutenzione o la riparazione dell'apparecchio, scollegarlo dalla presa di corrente e lasciare che si raffreddi.
- ◆ Prima dell'uso, controllare che l'apparecchio non sia danneggiato e non presenti parti difettose. Verificare inoltre che non vi siano parti rotte, interruttori danneggiati o altre

condizioni che potrebbero incidere sul suo funzionamento.

- ◆ Controllare a intervalli regolari che il cavo di alimentazione non sia danneggiato.
- ◆ Non usare l'apparecchio se alcune parti sono danneggiate o difettose.
- ◆ Fare riparare o sostituire le parti danneggiate o difettose da un tecnico riparatore autorizzato.
- ◆ Non tentare di smontare o sostituire alcuna parte, ad eccezione di quelle specificate in questo manuale.

Sicurezza altrui

- ◆ Questo apparecchio può essere usato da bambini dagli 8 anni in su e da persone portatrici di handicap fisici, psichici o sensoriali o che non abbiano la dovuta esperienza o conoscenza, sempre che siano seguite o opportunamente istruite sull'uso sicuro e comprendano i pericoli inerenti. I bambini non devono giocare con l'elettrotensile. Gli interventi di pulizia e manutenzione da parte dell'utilizzatore non devono essere eseguiti da bambini senza supervisione.
- ◆ I bambini devono essere sorvegliati per assicurarsi che non giochino con l'apparecchio.

Rischi residui

L'utilizzo dell'elettrotensile può comportare rischi residui non necessariamente riportati nelle presenti avvertenze di sicurezza. Tali rischi possono sorgere a seguito di un uso

prolungato o improprio, ecc.

Malgrado il rispetto delle norme di sicurezza pertinenti e l'implementazione di dispositivi di sicurezza, alcuni rischi residui non possono essere evitati. Sono inclusi:

- ◆ lesioni causate dal contatto con parti in movimento;
- ◆ lesioni causate dal contatto con parti molto calde;
- ◆ lesioni causate durante la sostituzione di parti o accessori;
- ◆ lesioni causate dall'impiego prolungato dell'apparecchio. Quando si usa l'apparecchio per lunghi periodi, accertarsi di fare regolarmente delle pause.

Sicurezza elettrica



Avvertenza! Questo prodotto deve essere collegato a terra. Assicurarsi che la tensione della rete di alimentazione corrisponda al valore indicato sulla targhetta dei valori nominali.

Le spine elettriche devono essere adatte alle prese. Non modificare la spina in alcun modo. Per ridurre il rischio di scossa elettrica evitare di modificare le spine e utilizzare sempre le prese di corrente appropriate.

- ◆ Per prevenire pericoli, i cavi di alimentazione danneggiati devono essere sostituiti dal fabbricante o da un centro di assistenza BLACK+DECKER.

Cavi di prolunga e prodotto di Classe 1

- ◆ Usare un cavo a 3 conduttori dato che si tratta di un apparecchio di Classe 1 dotato di messa a terra.
- ◆ È possibile usare un cavo lungo 30 m senza che si verifichi una perdita di potenza.

Etichette sull'apparecchio

I seguenti simboli sono mostrati sull'apparecchio insieme al codice data:



ATTENZIONE Vapore bollente. Pericolo di ustioni.



Acqua gocciolante se utilizzato quando capovolto



Il vapore fuoriesce da tutti i lati



Non lasciare incustodito con bambini piccoli



Lavare a 60 °C. Non utilizzare candeggina o ammorbidente



Attenzione! Superficie molto calda

Caratteristiche

Questo elettrodomestico presenta alcune o tutte le seguenti caratteristiche.

1. Interruttore di accensione/spengimento
2. Manopola Autoselect™
3. Impugnatura del pulitore a vapore portatile
4. Tappo di rifornimento
5. Pulitore a vapore portatile
6. Impugnatura
7. Gancio fermacavo superiore
8. Manico principale
9. Gancio fermacavo inferiore

10. Pulsante di sgancio del pulitore a vapore portatile
11. Corpo principale
12. Testa per la pulizia di pavimenti
- 12a. Testa per la pulizia a vapore dei pavimenti
- 12b. Accessorio per tappeti (solo per l'uso sui tappeti)
13. Panno per la pulizia dei pavimenti
14. Linguetta di rilascio panno per la pulizia dei pavimenti
15. Staffa di sospensione
16. Tubo flessibile del vapore
17. Ugello di erogazione del vapore
18. Accessorio spazzola ad angolo (per l'uso su macchie ostinate)
- 18a. Spazzola angolare per barbecue (spazzola metallica)
19. Accessorio spazzola (per l'uso su piastrelle / malta)
20. Accessorio raschietto (per l'uso su box doccia / vetri / specchi / indumenti / imbottitura)
- 20a. Cuffia per spatola tergovetro
21. Accessorio raschietto grande (per l'uso su box doccia / vetri / specchi / indumenti / imbottitura)
- 21a. Cuffia per raschietto grande
22. Spazzola a vapore
- 22a. Spazzola metallica a vapore (per l'utilizzo su barbecue / forni)
- 22b. Spazzola metallica a vapore (per utilizzo su barbecue / forni / piani di cottura / rubinetti / malta)
- 22c. Spazzola larga a vapore (per l'utilizzo su superfici di lavoro maggiori)
23. Testa triangolare (per l'utilizzo su indumenti / imbottitura / superfici di lavoro maggiori)
- 23a. Panno per la pulizia di superfici piane
- 23b. Interfaccia per stiratura verticale a vapore di indumenti (per l'uso su indumenti / imbottitura)
- 23c. Spazzola per stiratura verticale a vapore di indumenti (per l'uso su indumenti / imbottitura)
- 23d. Panno per stiratura verticale a vapore di indumenti (per l'uso su indumenti / imbottitura)
- 23e. Accessorio per tappeti con testa triangolare
25. SteaMitt™
26. Tubo flessibile per SteaMitt™
27. Panno per la pulizia per SteaMitt™
- 27a. Panno per la pulizia 2 per SteaMitt™
- 27b. Panno per la pulizia 3 per SteaMitt™
28. Ugello di erogazione regolabile

Configurazione

	FSMH1321	FSMH1351SM	FSMH13101SM	FSMH13151SM	FSMH1321J	FSMH1321J6M	FSMH1321JMD	Impostazioni di erogazione del vapore raccomandate
12	✓	✓	✓	✓	✓	✓	✓	Tutte
12a			✓	✓	✓	✓	✓	Tutte
12b				✓	✓	✓	✓	Tutte
13	✓	✓	✓	✓	✓	✓	✓	Tutte
16	✓	✓	✓	✓	✓	✓	✓	Tutte
18	✓	✓		✓	✓	✓		Tutte
18a					✓	✓		Tutte
19	✓	✓			✓	✓		Tutte
20	✓	✓	✓	✓				-
20a	✓	✓	✓	✓				-
21					✓	✓	✓	-
21a					✓	✓	✓	-
22			✓	✓			✓	Tutte
22a			✓	✓			✓	Tutte
22b			✓	✓			✓	Tutte
22c			✓	✓			✓	Tutte
23							✓	Tutte
23a							✓	Tutte
23b							✓	-
23c							✓	-
23d							✓	-
23e							✓	-
25		✓	✓	✓		✓	✓	-
26		✓	✓	✓		✓	✓	-
27		✓	✓	✓		✓	✓	-
27a							✓	-
27b							✓	-
28				✓	✓	✓	✓	Tutte

Assemblaggio



Avvertenza! Prima di iniziare una delle seguenti operazioni, verificare che l'apparecchio sia spento e scollegato dalla presa elettrica e che sia freddo e non contenga acqua.

Montaggio del manico (Fig. A)

- ◆ Infilare l'estremità inferiore del manico (8) nell'estremità superiore del corpo della scopa a vapore (11) fino a quando scatta in sede.

Montaggio del pulitore portatile (Fig. B)

- ◆ Afferrando la parte posteriore del corpo della scopa a vapore (11), inserire, premendo con decisione, il pulitore a vapore (5) nel corpo principale (11), facendo in modo che

si incastrino saldamente sull'interfaccia (11a), fino a quando non scatta in sede.

Rimozione del pulitore portatile (Fig. B)

- ◆ Premere il pulsante di sgancio (10) sul corpo della scopa a vapore (11) e sollevare il pulitore portatile (5) dall'interfaccia (11a) estraendolo dal corpo principale (11).

Montaggio del panno per la pulizia (Fig. C)

I panni per la pulizia di ricambio sono reperibili presso il rivenditore BLACK+DECKER: di zona - (codice cat. FSMP20-XJ).

- ◆ Appoggiare il panno per la pulizia (13) sul pavimento con il lato morbido del velcro rivolto verso l'alto.
- ◆ Premere leggermente la scopa a vapore sul panno per la pulizia (13).

Nota: questa unità è dotata di una testa per la pulizia dei pavimenti standard (12) o di una testa per la pulizia a vapore (12a). In entrambi i casi seguire queste istruzioni per inserire un panno per la pulizia.

Attenzione! Non lasciare mai la scopa a vapore a lungo in uno stesso punto di un qualsiasi tipo di pavimento.

Posizionare sempre la scopa a vapore con il manico (8) in posizione verticale quando è ferma e accertarsi che sia spenta quando non viene usata.

Rimozione di un panno per la pulizia

Attenzione! Quando si cambia il panno per la pulizia sulla scopa a vapore, indossare sempre scarpe idonee.

Non indossare pantofole o sandali aperti.

- ◆ Riportare il manico (8) in posizione verticale e spegnere la scopa a vapore.
- ◆ Prima di riporre la scopa a vapore attendere che si raffreddi (circa 5 minuti).
- ◆ Sollevare la scopa a vapore dal panno per la pulizia staccandolo tramite il velcro.

Attenzione! Non lasciare mai la scopa a vapore a lungo in uno stesso punto di un qualsiasi tipo di pavimento.

Posizionare sempre la scopa a vapore con il manico (8) in posizione verticale quando è ferma e accertarsi che sia spenta quando non viene usata.

Rifornimento del serbatoio con acqua (Fig. Q)

Nota! Riempire il serbatoio dell'acqua con acqua di rubinetto pulita (non utilizzare additivi o agenti chimici).

Nota! In presenza di acque molto dure (calcaree) si consiglia di utilizzare acqua deionizzata.

- ◆ Aprire il tappo di rifornimento (4) ruotandolo verso il basso.
- ◆ Riempire il serbatoio dell'acqua solo con acqua (non utilizzare additivi o agenti chimici).

Avvertenza! Durante il riempimento, staccarsi dall'unità principale e mantenere una posizione orizzontale.

Avvertenza! Il serbatoio dell'acqua ha una capacità di 0,5 litri. Non riempirlo eccessivamente.

- ◆ Chiudere il tappo di rifornimento (4).

Nota! Verificare che il tappo di rifornimento sia chiuso saldamente.

Montaggio dell'accessorio per tappeti (12b) (solo per l'uso sui tappeti)

- ◆ Appoggiare l'accessorio per tappeti (12b) sul pavimento.
- ◆ Fissare un panno per la pulizia sulla testa per pavimenti (12)
- ◆ Premere leggermente la scopa a vapore sull'accessorio per tappeti (12b) fino a quando scatta in sede.

Attenzione! Non lasciare mai la scopa a vapore a lungo in uno stesso punto di un qualsiasi tipo di pavimento.

Posizionare sempre la scopa a vapore con il manico (8) in posizione verticale quando è ferma e accertarsi che sia spenta quando non viene usata.

Smontaggio dell'accessorio per tappeti

Attenzione! Indossare sempre scarpe idonee quando si cambia l'accessorio per moquette sulla scopa a vapore. Non indossare pantofole o sandali aperti.

- ◆ Riportare il manico (8) in posizione verticale e spegnere la scopa a vapore.
- ◆ Prima di riporre la scopa a vapore attendere che si raffreddi (circa 5 minuti).
- ◆ Appoggiare la punta della scarpa sulla linguetta di rimozione dell'accessorio per tappeti e premere con forza.
- ◆ Sollevare leggermente la scopa a vapore dall'accessorio per tappeti.

Attenzione! Non lasciare mai la scopa a vapore a lungo in uno stesso punto di un qualsiasi tipo di pavimento.

Posizionare sempre la scopa a vapore con il manico (8) in posizione verticale quando è ferma e accertarsi che sia spenta quando non viene usata.

Montaggio del tubo flessibile e degli accessori sul pulitore a vapore portatile (Figg. G e O)

Avvertenza! Ispezionare la tenuta tra il punto di connessione sul pulitore a vapore portatile (5) e il tubo flessibile a vapore (16) prima di ciascun utilizzo. Se la tenuta non funziona correttamente oppure è danneggiata, non utilizzarla e rivolgersi al tecnico autorizzato di zona. Non usare l'apparecchio.

Avvertenza! Prima di montare il tubo flessibile spegnere la scopa a vapore.

Fissaggio del tubo flessibile

- ◆ Premere il pulsante di sgancio (16a) sul tubo flessibile del vapore (16).

- ◆ Collegare il tubo flessibile del vapore (16) al pulitore a vapore portatile (5) e rilasciare il pulsante di sgancio del tubo flessibile (16a) assicurandosi che scatti in sede.

Importante! Verificare che il tubo flessibile del vapore (16) sia connesso saldamente prima di usare il pulitore a vapore portatile (5). Se il vapore fuoriesce dalla giunzione, il tubo flessibile non è inserito correttamente. Spegnerne l'unità e lasciare che si raffreddi prima di rimuovere il tubo flessibile e reinserirlo.

Montaggio degli accessori (Fig. H)

- ◆ Allineare le linguette sull'ugello di erogazione del vapore (17) ai vani dell'accessorio.
- ◆ Premere l'accessorio sull'ugello di erogazione del vapore (17) e ruotarlo in senso antiorario fino a quando si aggancia in sede.

Importante! Tutti gli accessori, ad eccezione dello SteaMitt™ (25) che dispone di un proprio tubo flessibile e connettore (26), devono essere fissati per funzionare al tubo flessibile del vapore (16).

Smontaggio del tubo flessibile e degli accessori

Avvertenza! Il tubo flessibile del vapore (16), l'ugello di erogazione del vapore (17) e gli accessori diventano molto caldi durante l'uso. Lasciare che l'unità e tutti gli accessori si raffreddino prima di smontarli.

Smontaggio di un accessorio

- ◆ Ruotare l'accessorio in senso orario e staccarlo dal tubo flessibile (16).

Smontaggio del tubo flessibile

- ◆ Premere il pulsante di sgancio (16a) sul tubo flessibile del vapore (16) e rimuoverlo dal pulitore a vapore portatile.

SteaMitt™

L'accessorio SteaMitt™ BLACK+DECKER™ è stato progettato per igienizzare e pulire piastrelle, piani di lavoro e superfici di cucina e bagno. Questo apparecchio è stato concepito esclusivamente per uso domestico e all'interno.

Fissaggio del tubo flessibile del SteaMitt™ al pulitore portatile a vapore

Avvertenza! Ispezionare la guarnizione sull'ugello di erogazione del vapore e sul tubo flessibile prima di ciascun utilizzo. Se la guarnizione manca o è danneggiata, contattare il tecnico autorizzato di zona. **Non usare l'apparecchio.** Ispezionare la guarnizione sullo SteaMitt™ e il tubo flessibile. Se la guarnizione manca o è danneggiata oppure se si riscontra la fuoriuscita di vapore contattare il tecnico autorizzato di zona. **Non usare l'apparecchio.** Assicurarsi che non vi sia alcuna ostruzione o impedenza nel tubo

flessibile dello SteaMitt™ o nel tubo dell'accessorio. Qualora se ne dovesse rilevare la presenza, contattare il tecnico autorizzato di zona. **Non usare l'apparecchio.**


Montaggio di un panno per la pulizia sullo SteaMitt™ (Fig. L)


Avvertenza! Assicurarsi che non vi sia alcuna ostruzione o impedenza nei fori di scarico del vapore. Qualora se ne dovesse rilevare la presenza, contattare il tecnico autorizzato di zona. **Non usare l'apparecchio.**


- ◆ Montare il panno per la pulizia (27) sul SteaMitt™ (25) fissando le strisce di velcro con il lato morbido (27a) presenti nella parte superiore del panno, ai tamponi in velcro con il lato a uncini (25a) presenti nella parte inferiore dello SteaMitt™ (4). Premere in basso con forza.


Avvertenza! Lo SteaMitt™ non deve essere utilizzato senza un panno per la pulizia montato.


Nota: allo SteaMitt™ possono essere montati 4 tipi di panni per la pulizia con spessori differenti. Panno abrasivo (per l'uso su macchie ostinate e superfici non delicate), Panno per il bagno (per la pulizia di rubinetti e altre superfici sagomate del bagno), Panno standard (per l'uso sulle superfici più ampie) e Panno per lucidare (per l'uso sulle superfici delicate).


 **Avvertenza!** Utilizzare sempre lo SteaMitt™, come illustrato nella Figura M, indossando un guanto di protezione.

 **Avvertenza!** Non tentare mai di utilizzare lo SteaMitt™ afferrandolo dall'esterno, come illustrato nella Figura N, per non correre il pericolo di ustionarsi.

 **Avvertenza!** Evitare di utilizzare lo SteaMitt™ in angoli stretti, come mostrato nella Figura O.

 **Avvertenza!** In caso di problemi durante l'uso, servirsi della linguetta di rilascio rapido per rimuovere rapidamente lo SteaMitt™ dalla mano, come illustrato nella Figura P.

 **Avvertenza!** Non utilizzare lo SteaMitt™ su vetri freddi, come per esempio i vetri di finestre, poiché potrebbero verificarsi dei danni a causa del repentino cambiamento della temperatura.

 **Avvertenza!** Non puntare o indirizzare mai il pulitore verso sé stessi o verso un'altra persona.

Nota: si raccomanda di utilizzare lo SteaMitt all'impostazione 1 per evitare che il panno per la pulizia si bagni troppo.

Utilizzo

Importante! Se usato in base alle istruzioni contenute in questo manuale e con i panni per la pulizia in microfibra montati e un tempo di funzionamento continuo di 90 secondi, questo apparecchio è in grado di eliminare il 99,9% di batteri e germi.

Accensione e spegnimento

- ◆ Per accendere l'apparecchio, premere l'interruttore di accensione/spegnimento (1). La scopa a vapore impiega 15 secondi circa per riscaldarsi.
- ◆ Per spegnere l'apparecchio, premere l'interruttore di accensione/spegnimento (1).

Nota: tenere sempre la mano all'interno dello SteaMitt™ prima di premere il pulsante di erogazione del vapore.

Attenzione! Non lasciare mai la scopa a vapore a lungo in uno stesso punto di un qualsiasi tipo di pavimento. Posizionare sempre la scopa a vapore con il manico (8) in posizione verticale quando è ferma e accertarsi che sia spenta quando non viene usata.



Attenzione! Svuotare sempre la scopa a vapore dopo l'uso.

Nota! Al primo riempimento oppure se la scopa a vapore ha funzionato a secco, possono trascorrere fino a 45 secondi prima che venga generato del vapore.

Tecnologia Autoselect™ (Fig. R)

Questa scopa a vapore è dotata di una manopola Autoselect™ (2) che mostra le varie applicazioni di pulizia. Essa viene usata per selezionare la corretta modalità di funzionamento per l'operazione di pulizia desiderata.

Scegliere una delle applicazioni seguenti mediante la manopola Autoselect™ (2), ruotandola fino all'impostazione desiderata.

Impostazione	Materiali	Pulitore portatile
	Legno/ laminato	Flusso di vapore basso ●
	Piastrelle/vinile	Flusso di vapore medio ● ●
	Pietra/marmo	Flusso di vapore alto ● ● ●

La scopa a vapore selezionerà la quantità di vapore necessaria per una determinata operazione di pulizia.

Nota: controllare sempre di aver scelto l'impostazione corretta prima di usare la scopa a vapore.

Getto di vapore (Fig. C1) (disponibile solo nei modelli FSMH1310SM, FSMH1315ISM, FSMH1321J, FSMH1321JMD, FSMH1321JSM)

La testa per pavimenti (12a) è dotata di un pedale per l'erogazione del getto di vapore, che facilita l'eliminazione di macchie e segni ostinati.

- ◆ Durante l'uso, premere il pedale del getto di vapore per aumentare la forza pulente.
- ◆ Per ritornare all'impostazione normale, premere di nuovo il pedale.

Consigli per un utilizzo ottimale

Indicazioni generali

Attenzione: non usare mai la scopa a vapore senza aver prima montato un panno per la pulizia.

- ◆ Passare sempre l'aspirapolvere oppure spazzare il pavimento prima di usare la scopa a vapore.
- ◆ Il modo più semplice per usare la scopa consiste nell'inclinare il manico a 45° e pulire lentamente, trattando un'area piccola alla volta.
- ◆ Con la scopa a vapore utilizzare solo acqua, senza additivi o sostanze chimiche. Per eliminare le macchie ostinate dalle pavimentazioni in vinile o linoleum, è possibile pretrattarle con un detersivo neutro e un po' di acqua prima di passare la scopa a vapore.

Pulizia a vapore con la scopa

- ◆ Montare il pulitore a vapore portatile (5) nel corpo della scopa a vapore (11)
- ◆ Appoggiare un panno per la pulizia (13) sul pavimento con il lato morbido del velcro rivolto verso l'alto.
- ◆ Premere leggermente la scopa a vapore sul panno per la pulizia (13).
- ◆ Collegare la scopa a vapore alla presa di corrente.
- ◆ Premere l'interruttore di accensione/spengimento (1). La scopa a vapore impiega 15 secondi circa per riscaldarsi.
- ◆ Ruotare la manopola Autoselect™ (2) fino all'impostazione richiesta. Dopo alcuni secondi il vapore comincia a fuoriuscire dalla testa di erogazione.

Nota! Al primo riempimento oppure se la scopa a vapore ha funzionato a secco, possono trascorrere fino a 45 secondi prima che venga generato del vapore.

- ◆ Devono trascorrere alcuni secondi prima che il vapore penetri nel panno per la pulizia. La scopa a vapore a quel punto scorrerà facilmente sulla superficie da igienizzare/pulire.
- ◆ Spingere e tirare lentamente la scopa a vapore sulla superficie per pulire a fondo ogni sezione.
- ◆ Una volta finito di utilizzare la scopa a vapore, riportare il manico (8) nella posizione verticale, assicurandosi che sia supportato e spegnere la scopa. Attendere che la scopa a vapore si raffreddi (circa 5 minuti) prima di riparla.

Attenzione! È importante controllare il livello dell'acqua nel serbatoio. Per rifornire il serbatoio dell'acqua e continuare a igienizzare/pulire, portare la scopa a vapore in posizione verticale e spegnerla. Scollegare l'apparecchio dalla presa di corrente a parete e rifornire il serbatoio dell'acqua.

Attenzione! Non lasciare mai la scopa a vapore a lungo in uno stesso punto di un qualsiasi tipo di pavimento.

Posizionare sempre la scopa a vapore con il manico (8) in posizione verticale quando è ferma e accertarsi che sia spenta quando non viene usata.

Per ravvivare un tappeto

- ◆ Appoggiare un panno per la pulizia (13) sul pavimento con il lato morbido del tessuto rivolto verso l'alto.
- ◆ Premere leggermente la scopa a vapore sul panno per la pulizia.
- ◆ Appoggiare l'accessorio per tappeti (12b) sul pavimento.
- ◆ Premere leggermente la scopa a vapore sull'accessorio per tappeti fino a quando non scatta in sede.
- ◆ Collegare la scopa a vapore alla presa di corrente.
- ◆ Premere l'interruttore di accensione/spengimento (1). La scopa a vapore impiega 15 secondi circa per riscaldarsi.
- ◆ Ruotare la manopola Autoselect™ (2) sull'impostazione Legno/Laminato.
- ◆ Spingere e tirare lentamente la scopa a vapore sul tappeto per ravvivare ogni parte.
- ◆ Una volta finito di utilizzare la scopa a vapore, riportare il manico (8) nella posizione verticale, assicurandosi che sia supportato e spegnere la scopa. Attendere che la scopa a vapore si raffreddi (circa 5 minuti) prima di riparla.

Dopo l'uso

- ◆ Ruotare la manopola Autoselect™ (2) fino alla posizione di spegnimento "OFF".
- ◆ Attendere che la scopa a vapore si raffreddi.
- ◆ Scollegare la scopa a vapore dalla presa di corrente a parete.
- ◆ Svuotare il serbatoio dell'acqua.
- ◆ Rimuovere il panno per la pulizia (13) e lavarlo per l'utilizzo successivo (avere cura seguire le istruzioni di lavaggio delicato stampate sul panno per la pulizia).
- ◆ Avvolgere il cavo di alimentazione attorno ai ganci fermacavo (7 e 9).
- ◆ Altrimenti, è presente una staffa di sospensione (15) incorporata nell'impugnatura (6) che consente di appendere la scopa a vapore a un gancio a parete idoneo. Accertarsi sempre che il gancio a parete sia in grado di sorreggere in modo sicuro il peso della scopa a vapore.

Pulizia con il pulitore vapore portatile

Avvertenza! ! Mantenere il pulitore in orizzontale durante l'uso.

- ◆ Montare l'accessorio richiesto.
- ◆ Collegare il pulitore a vapore portatile a una presa di corrente.
- ◆ Premere l'interruttore di accensione/spengimento (1). La scopa a vapore impiega 15 secondi circa per riscaldarsi.
- ◆ Ruotare la manopola Autoselect™ (2) fino all'impostazione richiesta. Dopo alcuni secondi il vapore comincia a fuoriuscire dalla testa di erogazione.

Nota! Al primo riempimento oppure se la scopa a vapore ha funzionato a secco, possono trascorrere fino a 45 secondi prima che venga generato del vapore.

- Una volta terminato l'uso del pulitore a vapore portatile ruotare la manopola Autoselect™ (2) fino alla posizione di spegnimento "OFF". Spegnerne l'unità premendo l'interruttore di accensione/spegnimento (1) e scollegarla dalla presa di corrente. Attendere fino a quando l'unità non si è raffreddata prima di riporla (circa cinque minuti).

Accessori

Le prestazioni dell'apparecchio dipendono dall'accessorio usato. Gli accessori BLACK + DECKER sono stati fabbricati in base a standard qualitativi elevati e sono stati progettati per ottenere le migliori prestazioni dall'apparecchio. Utilizzando questi accessori si otterrà il meglio dall'elettrodomestico.

Dati tecnici

FSMH1321		
Tensione	V _{ca}	230
Potenza	W	1300
Capacità serbatoio	ml	500
Peso	kg	2,7

FSMH1351SM		
Tensione	V _{ca}	230
Potenza	W	1300
Capacità serbatoio	ml	500
Peso	kg	2,7

FSMH13101SM		
Tensione	V _{ca}	230
Potenza	W	1300
Capacità serbatoio	ml	500
Peso	kg	2,8

FSMH13151SM		
Tensione	V _{ca}	230
Potenza	W	1300
Capacità serbatoio	ml	500
Peso	kg	2,8

FSMH1321J		
Tensione	V _{ca}	230
Potenza	W	1300
Capacità serbatoio	ml	500
Peso	kg	2,7

FSMH1321JSM		
Tensione	V _{ca}	230
Potenza	W	1300
Capacità serbatoio	ml	500
Peso	kg	2,8

FSMH1321JMD		
Tensione	V _{ca}	230
Potenza	W	1300
Capacità serbatoio	ml	500
Peso	kg	2,8

Ricerca guasti

Se l'apparecchio non dovesse funzionare correttamente, seguire le istruzioni riportate di seguito. Nel caso in cui non sia comunque possibile risolvere il problema, rivolgersi al tecnico BLACK+DECKER di zona.

Problema	Passaggio	Possibile soluzione
La scopa a vapore non si accende	1.	Controllare che l'unità sia collegata alla presa di corrente a parete.
	2.	Controllare che l'unità sia accesa utilizzando l'interruttore di accensione/spegnimento (1)
	3.	Controllare il fusibile nella spina.
La scopa a vapore non genera vapore	4.	La scopa a vapore genera vapore solamente se il pulitore a vapore portatile (5) è inserito correttamente nel corpo principale (11), il tubo flessibile del vapore è montato o la manopola Autoselect™ è posizionata su "ON"
	5.	Verificare che il serbatoio dell'acqua sia pieno. Nota: al primo riempimento oppure se la scopa a vapore ha funzionato a secco, possono trascorrere fino a 45 secondi prima che venga generato del vapore.
	6.	Controllare i passaggi 1, 2, e 3
La scopa a vapore smette di generare vapore durante l'uso	7.	Controllare i passaggi 4, 5, e 3
La scopa vapore genera troppo vapore durante l'uso	8.	Ruotare la manopola Autoselect™ (2) in senso antiorario per ridurre la quantità di vapore generato
La scopa a vapore genera troppo poco vapore durante l'uso	9.	Ruotare la manopola Autoselect™ (2) in senso orario per aumentare la quantità di vapore generato
Vapore non generato dal pulitore portatile a vapore	10.	Accertarsi che la manopola Autoselect™ (2) sia sulla posizione ON
	11.	Controllare il passaggio 5, seguito dai passaggi 1, 2, e 3
Il pulitore portatile a vapore smette genera troppo poco vapore durante l'uso	12.	Ruotare la manopola Autoselect™ (2) in senso orario per aumentare la quantità di vapore generato
	13.	Controllare il passo 5
Il pulitore portatile a vapore smette genera troppo poco vapore durante l'uso	14.	Ruotare la manopola Autoselect™ (2) in senso antiorario per ridurre la quantità di vapore generato
Gli accessori continuano a cadere dall'unità	15.	Consultare il capitolo assemblaggio per il corretto montaggio di tutte le parti e gli accessori
Il vapore fuoriesce da parti non previste dell'unità	16.	Consultare il capitolo assemblaggio per il corretto montaggio di tutte le parti e gli accessori
Dove è possibile trovare informazioni/ accessori aggiuntivi	17.	www.blackanddecker.co.uk/steam mop www.blackanddecker.ie/steam mop

Manutenzione e pulizia

Questo elettrodomestico BLACK+ DECKER con filo è stato progettato per funzionare a lungo con una manutenzione minima. Per prestazioni sempre soddisfacenti sono necessarie una cura appropriata e una pulizia regolare dell'elettrotensile.

Avvertenza! Prima di eseguire la manutenzione o di pulire elettrodomestici con filo, scollegarli dalla presa di corrente.

- ◆ Strofinare l'apparecchio con un panno umido e morbido.
- ◆ Per le macchie ostinate è possibile usare una soluzione di acqua e sapone neutro in cui inumidire lo straccio.

Cura dei panni per la pulizia

Istruzioni di lavaggio - Non usare ammorbidenti - Attendere il completo asciugamento prima di riutilizzare.

Attenzione! Seguire le istruzioni di lavaggio stampate sull'etichetta del panno per la pulizia.

Sostituzione della spina (solo per Regno Unito e Irlanda)

Se è necessario installare una nuova spina:

- ◆ smaltire in tutta sicurezza quella vecchia.
- ◆ Collegare il conduttore marrone al terminale sotto tensione nella nuova spina.
- ◆ Collegare il conduttore blu al terminale neutro.
- ◆ Collegare il conduttore verde/giallo al morsetto di terra.

Avvertenza! Seguire le istruzioni di montaggio fornite con le spine di buona qualità. Fusibile raccomandato: 13 A.

Protezione dell'ambiente



Raccolta differenziata. I prodotti e le batterie contrassegnati con questo simbolo devono essere smaltiti con i rifiuti domestici normali.

Essi contengono materiali che possono essere recuperati o riciclati riducendo la richiesta di materie prime.

Riciclare i prodotti elettrici e le batterie attenendosi alle disposizioni locali vigenti. Ulteriori informazioni sono disponibili all'indirizzo web www.2helpU.com

Garanzia

Black & Decker è sicura della qualità dei propri prodotti e offre ai consumatori una garanzia di 24 mesi dalla data di acquisto. Il presente certificato di garanzia è complementare ai diritti legali e non li pregiudica in alcun modo. La garanzia è valida nei territori degli stati membri dell'Unione Europea e dell'EFTA (Associazione europea di libero scambio).

Per attivare la garanzia, il reclamo deve essere effettuato in accordo con i Termini e Condizioni Black&Decker e sarà necessario presentare la prova di acquisto al venditore o all'agente di riparazione autorizzato.

I Termini e condizioni della garanzia Black & Decker di 2 anni e la sede dell'agente di riparazione autorizzato più vicino sono consultabili su Internet all'indirizzo www.2helpU.com, o contattando l'ufficio Black & Decker di zona all'indirizzo indicato in questo manuale.

Visitare il nostro sito www.blackanddecker.co.uk per registrare il prodotto Black & Decker appena acquistato e ricevere gli aggiornamenti sui nuovi prodotti e le offerte speciali.

(Vertaling van de originele instructies)

NEDERLANDS

Bedoeld gebruik

De BLACK+DECKER™ stoomreiniger van het type FSMH1321, FSMH1351SM, FSMH13101SM, FSMH13151SM, FSMH1321J, FSMH1321JSM, FSMH1321JMD is ontworpen voor het reinigen en ontsmetten van vloeren van geseald hardhout, laminaat, linoleum, vinyl, keramische tegels, steen of marmer. Dit apparaat is uitsluitend bestemd voor huishoudelijk gebruik binnenshuis.

Instructies voor de veiligheid



Waarschuwing! Lees alle veiligheidswaarschuwingen en alle instructies.

Wanneer de volgende waarschuwingen en voorschriften niet in acht worden genomen, kan dit een elektrische schok, brand of ernstig letsel tot gevolg hebben.



Waarschuwing! Bij apparaten voor gebruik op de netspanning moeten bepaalde elementaire voorzorgsmaatregelen, waaronder de navolgende, in acht worden genomen zodat het gevaar voor brand, elektrische schok, persoonlijk letsel en materiële schade tot een minimum kan worden beperkt.

- ◆ In deze handleiding wordt het bedoeld gebruik beschreven.

Het gebruik van accessoires of hulpstukken of de uitvoering van handelingen anders dan in deze gebruikershandleiding worden aanbevolen, kan een risico van persoonlijk letsel geven.

- ◆ Bewaar deze handleiding zorgvuldig zodat u deze altijd nog eens kunt raadplegen.

Het apparaat gebruiken

- ◆ Richt de stoom niet op mensen, dieren, elektrische apparaten of stopcontacten.
- ◆ Stel het apparaat niet bloot aan regen.
- ◆ Dompel het apparaat niet onder in water.
- ◆ Laat het apparaat niet onbeheerd achter.
- ◆ Laat het apparaat niet aangesloten op het stopcontact wanneer u het niet gebruikt.
- ◆ Trek de stekker nooit aan het snoer uit het stopcontact. Houd het apparaat uit de buurt van warmtebronnen, olie en scherpe randen.
- ◆ Bedien de stoomreiniger niet met natte handen.
- ◆ Trek of draag het apparaat nooit aan het snoer, gebruik het snoer niet als handvat, klem het snoer niet tussen de deur, trek het snoer niet langs scherpe randen en stel het snoer niet bloot aan warme oppervlakken.
- ◆ Gebruik het apparaat niet in een afgesloten ruimte die gevuld is met dampen afgegeven door verfverdunner op oliebasis, sommige anti-motstoffen,

ontvlambaar stof of andere explosieve of giftige dampen.

- ◆ Controleer het vloertype bij de fabrikant.
- ◆ Gebruik de stoomreiniger niet op leer, met was gepolijste meubels of vloeren, synthetische vezels, fluweel of andere fijne stoomgevoelige materialen.



Waarschuwing! Gebruik het apparaat niet op niet-geseald hout of niet-gesealde laminaatvloeren. Op oppervlakken die behandeld zijn met was of op sommige niet-wasvloeren, kan de glans verdwijnen door de hitte en het stoom. Het wordt altijd aangeraden eerst een klein onopvallend stukje van het oppervlak dat moet worden gereinigd, te testen voordat u het hele oppervlak reinigt. Wij adviseren u ook de gebruiks- en onderhoudsinstructies van de fabrikant te door te lezen.

- ◆ Giet nooit ontkalkingsmiddel, alcoholische producten of reinigingsmiddelen in de stoomreiniger. Deze producten kunnen het apparaat beschadigen of onveilig voor gebruik maken.
- ◆ Als de stroomonderbreker in uw huis wordt geactiveerd terwijl u de stoomfunctie gebruikt, stop dan met het gebruik van het apparaat en neem contact op met de klantenservice. (Pas op voor elektrische schokken.)

- ◆ Het apparaat reinigt oppervlakken met zeer hete stoom. Dit betekent dat de stoomkop, de reinigingspads en het tapijthulpstuk zeer warm worden tijdens gebruik.

Let op! Draag altijd geschikte schoenen wanneer u de stoomreiniger gebruikt en wanneer u de accessoires op de stoomreiniger verwisselt. Draag geen slippers of schoeisel met open tenen.

- ◆ Het deksel wordt heet tijdens het gebruik.
- ◆ Er kan stoom van het apparaat af komen tijdens gebruik.
U moet altijd voorzichtig zijn als u dit apparaat gebruikt. Raak GEEN onderdelen aan die warm worden tijdens gebruik.
- ◆ Schakel het apparaat uit en zet de handgreep rechtop voordat u de watertank verwijderd.
- ◆ Als u ziet dat er stoom van de behuizing van de hand-stoomreiniger afkomt, schakelt u de reiniger uit en trekt u de stekker van het apparaat uit het stopcontact zodat het kan afkoelen. Neem contact op met het servicecentrum bij u in de buurt. Ga niet door met het gebruik van het apparaat.

Na gebruik

- ◆ Trek de stekker van het apparaat uit het stopcontact en laat het apparaat afkoelen voordat u het schoonmaakt.
- ◆ Bewaar het apparaat na gebruik op een droge plaats.

- ◆ Berg apparaten op buiten bereik van kinderen.

Inspectie en reparaties

- ◆ Schakel het apparaat uit, haal de stekker uit het stopcontact en laat het apparaat afkoelen voordat er onderhoud of een reparatie wordt uitgevoerd.
- ◆ Controleer het apparaat vóór gebruik op beschadigingen en defecten. Controleer het apparaat op gebroken onderdelen, schade aan de schakelaars en andere omstandigheden die de werking ervan kunnen beïnvloeden.
- ◆ Controleer het snoer regelmatig op beschadiging.
- ◆ Werk niet met het apparaat als een onderdeel beschadigd is of defect.
- ◆ Laat beschadigde of defecte onderdelen door een van onze servicecentra repareren of vervangen.
- ◆ Probeer nooit andere onderdelen te verwijderen of te vervangen dan in deze handleiding worden vermeld.

Veiligheid van anderen

- ◆ Dit apparaat mag worden gebruikt door kinderen van 8 jaar en ouder en personen die lichamelijk of geestelijk minder valide zijn of die geen ervaring met of kennis van dit apparaat hebben, mits deze onder toezicht staan of instructies krijgen voor veilig manier gebruik van het apparaat en inzicht hebben in de mogelijke gevaren. Kinderen mogen niet met het apparaat spelen. Laat kinderen

nooit zonder toezicht het gereedschap schoonmaken of onderhouden.

- ◆ Er moet op worden toegezien dat kinderen niet met het apparaat spelen.

Overige risico's

Er kunnen zich bij het gebruik van dit gereedschap nog meer risico's voordoen, die mogelijk niet in de bijgesloten veiligheidswaarschuwingen worden beschreven. Deze risico's kunnen zich voordoen door onoordeelkundig gebruik, langdurig gebruik, enz.

Zelfs wanneer de veiligheidsvoorschriften in acht worden genomen en de veiligheidsvoorzieningen worden gebruikt, kunnen bepaalde risico's niet worden uitgesloten. Dit zijn onder meer:

- ◆ Verwondingen die worden veroorzaakt door het aanraken van bewegende onderdelen.
- ◆ Verwondingen die worden veroorzaakt door het aanraken van warme onderdelen.
- ◆ Verwondingen die worden veroorzaakt bij het vervangen van onderdelen of accessoires.
- ◆ Verwondingen die worden veroorzaakt door langdurig gebruik van het apparaat. Wanneer u het apparaat gedurende langere perioden gebruikt, is het belangrijk dat u de werkzaamheden regelmatig onderbreekt.

Elektrische veiligheid



Waarschuwing! Dit product moet geaard zijn. Controleer altijd dat de stroomvoorziening overeenkomt met de voltage op het typeplaatje.

De netstekker moet in het stopcontact passen. Pas de stekker nooit op enige manier aan. Niet-aangepaste stekkers en passende contactdozen verminderen het risico van een elektrische schok.

- ◆ Als het netsnoer is beschadigd, moet dit worden vervangen door de fabrikant of een BLACK+DECKER-servicecentrum, zodat gevaarlijke situaties worden voorkomen.

Verlengsnoeren & product van klasse 1

- ◆ U moet een 3-aderig snoer gebruiken omdat het apparaat geaard en van klasse 1 is.
- ◆ U kunt een snoer van maximaal 30 m gebruiken zonder vermogensverlies.

Labels op het apparaat

De volgende pictogrammen worden met de datumcode op het apparaat weergegeven.



VOORZICHTIG Hete stoom. Gevaar voor brandwonden.



Lekkage van waterdruppels bij gebruik ondersteboven



Er ontsnapt stoom aan alle zijden



Laat niet onbeheerd achter in aanwezigheid van jonge kinderen



Wassen op 60°C. Gebruik niet een bleekmiddel of wasverzachter



Let op! Heet oppervlak

Functies

Dit apparaat heeft enkele of alle van de volgende functies.

1. Aan/Uit-schakelaar
2. Autoselect™-knop
3. Handgreep van de hand-stoomreiniger
4. Vuldop
5. Hand-stoomreiniger
6. Handgreep
7. Bovenste opberghaak
8. Hoofdhandgreep
9. Onderste kabelopberghaak
10. Vrijgaveknop van de hand-stoomreiniger
11. Behuizing
12. Vloerkop
- 12a. Vloerkop voor stoom
- 12b. Tapijthulpstuk (voor gebruik op tapijt)
13. Reinigingspad voor de vloer
14. Vrijgavenok van de reinigingspad voor de vloer
15. Ophangbeugel
16. Stoomslang
17. Stoommondstuk
18. Hoekvormig borstelhulpstuk (voor het verwijderen van hardnekkige vlekken)
- 18a. Hoekborstel BBQ (draadborstel)
19. Borstelhulpstuk (voor gebruik op tegels / voegen)
20. Wisselhulpstuk (voor gebruik op doucheschermen / glas / spiegels / kleding / bekleding)
- 20a. Wissensok
21. Groot wisserhulpstuk (voor gebruik op doucheschermen / glas / spiegels / kleding / bekleding)
- 21a. Grote Wissensok
22. Stoomstootborstel-unit
- 22a. Stoomstootdraadborstel (voor gebruik op BBQ's / ovens)
- 22b. Stoomstootborstel (voor gebruik op BBQ's / ovens / kookplaten / kranen / voegen)

- 22c. Brede stoomstootborstel (voor gebruik op grotere werkoppervlakken)
23. Driehoekige kop (voor gebruik op kleding / bekleding / grotere werkoppervlakken)
- 23a. Reinigingspad vlak oppervlak
- 23b. Hulpstuk voor het stomen van kledingstukken (voor gebruik op kleding / bekleding)
- 23c. Borstel voor het stomen van kledingstukken (voor gebruik op kleding / bekleding)
- 23d. reinigingspad voor het stomen van kledingstukken (voor gebruik op kleding / bekleding)
- 23e. Driehoekige kop voor vloerbedekking
25. SteaMitt™
26. SteaMitt™-slang
27. SteaMitt™-reinigingspad
- 27a. SteaMitt™-reinigingspad 2
- 27b. SteaMitt™-reinigingsdoek 3
28. Verstelbare spuitmond

Configuratie

	F S M H 1 3 2 1	F S M H 1 3 5 1 S M	F S M H 1 3 1 0 1 S M	F S M H 1 3 1 5 1 S M	F S M H 1 3 2 1 J	F S M H 1 3 2 1 J S M	F S M H 1 3 2 1 J M D	Aanbevolen / standen voor stoomreiniging
12	✓	✓	✓	✓	✓	✓	✓	Alle
12a			✓	✓	✓	✓	✓	Alle
12b				✓	✓	✓	✓	Alle
13	✓	✓	✓	✓	✓	✓	✓	Alle
16	✓	✓	✓	✓	✓	✓	✓	Alle
18	✓	✓		✓	✓	✓		Alle
18a					✓	✓		Alle
19	✓	✓			✓	✓		Alle
20	✓	✓	✓	✓				*
20a	✓	✓	✓	✓				*
21					✓	✓	✓	*
21a					✓	✓	✓	*
22			✓	✓			✓	Alle
22a			✓	✓			✓	Alle
22b			✓	✓			✓	Alle
22c			✓	✓			✓	Alle
23							✓	Alle
23a							✓	Alle
23b							✓	*
23c							✓	*
23d							✓	*
23e							✓	*
25		✓	✓	✓			✓	*
26		✓	✓	✓			✓	*

	FSMH1321	FSMH1351SM	FSMH13101SM	FSMH13151SM	FSMH1321J	FSMH1321JL	FSMH1321JMD	Aanbevolen standen voor stoomreiniging
27		✓	✓	✓			✓	•
27a							✓	•
27b							✓	•
28				✓	✓	✓	✓	Alle

Montage



Waarschuwing! Controleer, voordat u de volgende instructies volgt, dat het apparaat is uitgeschakeld en de stekker uit het stopcontact is getrokken en dat het apparaat is afgekoeld en geen water bevat.

De handgreep vastmaken (Afb. A)

- ◆ Schuif de onderzijde van de handgreep (8) in de bovenzijde van de behuizing van de stoomreiniger (11) tot deze vastklikt.

De hand-stoomreiniger bevestigen (Afb. B)

- ◆ Duw, terwijl u de achterzijde van de behuizing van de stoomreiniger (11) vasthoudt, de hand-stoomreiniger (5) stevig in de behuizing van de stoomreiniger (11) en let er daarbij op dat de reiniger goed over de aansluiting (11a) past en stevig vastklikt.

De hand-stoomreiniger losnemen (Afb. B)

- ◆ Duw de vrijgaveknop (10) op de behuizing (11) in en til de hand-stoomreiniger (5) van de aansluiting (11a) en los van de behuizing (11).

Een reinigingspad bevestigen (Afb. C)

Vervangende reinigingspads zijn verkrijgbaar bij uw BLACK+DECKER-leverancier: - (cat. nr. FSMP20-XJ).

- ◆ Plaats een reinigingspad (13) op de vloer met de klittenband-zijde' naar boven.
- ◆ Druk de stoomreiniger licht op de reinigingspad (13).

Opmerking: Dit apparaat kan zijn geleverd met een standaard vloerreinigingskop (12) of een stoomreinigingskop (12a). Plaats in beide gevallen een reinigingspad volgens deze instructies.

Let op! Laat de stoomreiniger nooit langere tijd op één plek op een oppervlak staan. Zet de stoomreiniger altijd met de handgreep (8) rechtop neer en let erop dat u de stoomreiniger uitschakelt, wanneer u het apparaat niet gebruikt.

Een reinigingspad verwijderen

Let op! Draag altijd geschikte schoenen wanneer u de reinigingspads verwisselt op de stoomreiniger.

Draag geen slippers of schoeisel met open tenen.

- ◆ Zet de handgreep (8) rechtop en schakel de stoomreiniger 'UIT'.
- ◆ Wacht tot de stoomreiniger is afgekoeld (ongeveer 5 minuten).
- ◆ Til de stoomreiniger van de reinigingspad en los van de klittenbandbevestiging.

Let op! Laat de stoomreiniger nooit langere tijd op één plek op een oppervlak staan.

Zet de stoomreiniger altijd met de handgreep (8) rechtop neer en let erop dat u de stoomreiniger uitschakelt, wanneer u het apparaat niet gebruikt.

De watertank vullen (Afb. Q)

Opmerking! Vul de watertank met schoon kraanwater (Gebruik geen toevoegingen of chemicaliën).

Opmerking! In gebieden met hard water wordt het gebruik van gedeïoniseerd water aangeraden.

- ◆ Open de vuldop (4) door deze omhoog te klappen.
- ◆ Vul de watertank met water (Gebruik geen toevoegingen of chemicaliën).

Waarschuwing! Maak de watertank los van de stoomreiniger en houd de tank tijdens het vullen in een horizontale stand.

Waarschuwing! De watertank heeft een capaciteit van 0.5 liter. Doe de tank niet te vol.

- ◆ Sluit de vuldop (4).

Opmerking! Controleer dat de vuldop stevig vastzit.

Het tapijthulpstuk bevestigen (12b) (Uitsluitend voor tapijt)

- ◆ Plaats het tapijthulpstuk (12b) op de vloer.
- ◆ Bevestig een reinigingspad op de vloerreinigingskop (12)
- ◆ Druk de stoomreiniger licht op het tapijthulpstuk (12b) tot dit op z'n plaats vastklikt.

Let op! Laat de stoomreiniger nooit langere tijd op één plek op een oppervlak staan. Zet de stoomreiniger altijd met de handgreep (8) rechtop neer en let erop dat u de stoomreiniger uitschakelt, wanneer u het apparaat niet gebruikt.

Het tapijthulpstuk losnemen

Let op! Draag altijd geschikte schoenen wanneer u het tapijthulpstuk verwijdert van de stoomreiniger. Draag geen slippers of schoeisel met open tenen.

- ◆ Zet de handgreep (8) rechtop en schakel de stoomreiniger 'UIT'.
- ◆ Wacht tot de stoomreiniger is afgekoeld (ongeveer 5 minuten).
- ◆ Plaats de voorkant van uw schoen op de verwijderingsnok van het tapijthulpstuk en druk stevig omlaag.
- ◆ Til de stoomreiniger omhoog en los van het tapijthulpstuk.

Let op! Laat de stoomreiniger nooit langere tijd op één plek op een oppervlak staan. Zet de stoomreiniger altijd met de handgreep (8) rechtop neer en let erop dat u de stoomreiniger uitschakelt, wanneer u het apparaat niet gebruikt.

De slang en accessoires aan de hand-stoomreiniger bevestigen (Afb. G - O)

Waarschuwing! Inspecteer voor ieder gebruik het aansluitpunt van de hand-stoomreiniger (5) en de stoomslang (16). Neem contact op met de officiële servicemonteur bij u in de buurt als de afdichting niet goed werkt of beschadigd is. Gebruik het apparaat niet.

Waarschuwing! Schakel het apparaat uit voordat u de slang plaatst.

De slang bevestigen

- ◆ Druk de vrijgaveknop (16a) van de stoomslang op de stoomslang (16).
- ◆ Sluit de stoomslang (16) aan op de hand-stoomreiniger (5) en laat de vrijgaveknop van de stoomslang los (16a), let erop dat deze op z'n plaats klikt.

Belangrijk! Controleer dat de slang (16) stevig vastzit op de hand-stoomreiniger (5). Als er stoom ontsnapt uit de aansluiting, is de slang niet goed geplaatst. Schakel het apparaat uit, laat het afkoelen en plaats de slang opnieuw.

Hulpstukken bevestigen (Afb. H)

- ◆ Houd de nokken op de stoomspuitmond (17) tegenover de uitsparingen op het hulpstuk.
- ◆ Druk het hulpstuk op het stoommondstuk (17) en draai linksom tot het hulpstuk op z'n plaats vastklikt.

Belangrijk! Alle hulpstukken, behalve de SteaMitt™ (25), die zijn eigen slang en aansluiting heeft (26), moeten voor gebruik op de stoomslang (16) worden bevestigd.

De slang en hulpstukken losnemen

Waarschuwing! De stoomslang (16), stoomspuitmond (17) en de hulpstukken worden heet tijdens gebruik. Laat het apparaat en alle hulpstukken afkoelen voordat u hulpstukken losneemt.

Een hulpstuk losnemen

- ◆ Draai het hulpstuk rechtsom en trek het van de slang (16).

De slang losnemen

- ◆ Druk op de vrijgaveknop (16a) van de stoomslang (16) en trek deze los van de slang los van de hand-stoomreiniger.

SteaMitt™

De BLACK+DECKER™ SteaMitt™ is ontworpen voor het reinigen van tegels, werkbladen, keukenbladen en badkamers. Dit apparaat is uitsluitend bestemd voor huishoudelijk gebruik binnenshuis.

De slang van de SteaMitt™ op de hand-stoomreiniger bevestigen

Waarschuwing! Controleer de afdichting op het stoommondstuk en de slang voor elk gebruik. Neem contact op met het officiële servicecentrum bij u in de buurt als de afdichting ontbreekt of beschadigd is. **Gebruik het apparaat niet.** Inspecteer de afdichting op de SteaMitt™ en de slang. Als de afdichting ontbreekt, is beschadigd of er ontsnapt stoom, neem dan contact op met het officiële servicecentrum bij u in de buurt. **Gebruik het apparaat niet.** Controleer dat er geen knik of verstopping in de slang van de SteaMitt™ of de slang van het hulpstuk zit. Neem contact op met het officiële servicecentrum bij u in de buurt als u dit ontdekt. **Gebruik het apparaat niet.**

Een reinigingspad op de SteaMitt™ bevestigen (Afb. L)

Waarschuwing! Controleer dat er geen blokkade of verstopping in de stoomopeningen zit. Neem contact op met het officiële servicecentrum bij u in de buurt als u dit ontdekt. **Gebruik het apparaat niet.**

- ◆ Bevestig de reinigingspad (27) op de SteaMitt™ (25) door de klittenband-stroken (27a) aan de bovenzijde van de reinigingspad en de klittenband-stroken (25a) aan de onderzijde van de SteaMitt™ (4) op elkaar vast te maken. Druk de reinigingspad stevig vast.

Waarschuwing! Gebruik de SteaMitt™ niet zonder een reinigingspad.

Opmerking: De SteaMitt™ is geschikt voor 4 typen reinigingspads van verschillende dikten. Schuurpad (voor gebruik op hardnekkige vlekken en niet-kuwetsbare oppervlakken), Badkamerpad (voor gebruik op kranen en andere aangeslagen oppervlakken in de badkamer), Standaard-reinigingspad (voor alle grotere oppervlakken) en Polijstpad (voor kuwetsbare oppervlakken).

Waarschuwing! Gebruik de SteaMitt™ altijd zoals wordt getoond in afbeelding M, met uw hand in de beschermende handschoen.



Waarschuwing! Probeer nooit de SteaMitt™ te gebruiken



door het apparaat aan de buitenzijde vast te pakken zoals wordt getoond in afbeelding N. U zult zich dan branden.

Waarschuwing! Gebruik de SteaMitt™ niet in krappe hoeken, zoals in afbeelding O wordt getoond.



Waarschuwing! Als er zich een probleem voordoet tijdens het gebruik, haal dan met behulp van de nok van de snelsluiting snel de SteaMitt™ van uw hand, zoals wordt getoond in afbeelding P.



Waarschuwing! Gebruik de SteaMitt™ niet op koud glas, zoals vensterruiten, omdat deze kunnen beschadigen door de plotselinge temperatuursverandering.

Waarschuwing! Richt de mof nooit op uzelf of een ander persoon.

Opmerking: Aanbevolen wordt de SteamMitt te gebruiken in stand 1 zodat de pad niet te nat wordt.

Gebruik van het apparaat

Belangrijk! Wanneer u dit apparaat volgens de aanwijzingen in deze handleiding gebruikt, de microvezeldoeken plaatst en het apparaat 90 seconden lang laat werken, doodt het 99,9% van alle bacteriën en ziektekiemen.

In- en uitschakelen

- ◆ Schakel het apparaat in door op de aan/uit-schakelaar (1) te drukken. Het opwarmen van de stoomreiniger duurt ongeveer 15 seconden.
- ◆ Schakel het apparaat uit door op de aan/uit-schakelaar (1) te drukken.

Opmerking: Steek altijd eerst uw hand in de SteaMitt™ voor u op de stoomknop drukt.

Let op! Laat de stoomreiniger nooit langere tijd op één plek op een oppervlak staan.

Zet de stoomreiniger altijd met de handgreep (8) rechtop neer en let erop dat u de stoomreiniger uitschakelt, wanneer u het apparaat niet gebruikt.

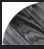


Let op! Giet de stoomreiniger na gebruik altijd leeg.

Opmerking! Wanneer u de stoomreiniger voor de eerste keer vult of nadat de watertank leeg is geweest, kan het tot wel 45 seconden duren voordat er stoom wordt geproduceerd.

Autoselect™-technologie (Afb. R)

Deze stoomreiniger is uitgerust met een Autoselect™-knop (2) waarop verschillende reinigingstoepassingen zijn afgebeeld. Hiermee kunt u de juiste gebruiksstand voor uw schoonmaakwerk selecteren.

Kies één van de volgende toepassingen met Autoselect™ door de Autoselect™-knop (2) naar de gewenste instelling draaien.

Stand	Dweilen	Met de hand
	Hout/Laminaat	Geringe hoeveelheid stoom ●
	Tegels/Vinyl	Gemiddelde hoeveelheid stoom ● ●
	Steen/Marmer	Grote hoeveelheid stoom ● ● ●

De stoomreiniger selecteert de juiste hoeveelheid stoom die nodig is voor uw schoonmaakwerk.

Opmerking: Controleer vóór het gebruik van de stoomreiniger altijd dat u de juiste instelling hebt geselecteerd.

Steam Burst (Afb. C1) (alleen beschikbaar op de apparaten FSMH1310SM, FSMH13151SM, FSMH1321J, FSMH1321JMD, FSMH1321JSM)

De vloerkop (12a) is voorzien van een pedaal voor een stoomstoot voor de verwijdering van hardnekkig vuil en hardnekkige vlekken.

- ◆ Druk tijdens gebruik op de stoomstootpedaal en pas extra reinigingskracht toe.
- ◆ Druk nogmaals op het pedaal als u wilt terugkeren naar de normale instelling.

Tips voor optimaal gebruik

Algemeen

Voorzichtig: Gebruik de stoomreiniger nooit zonder eerst een reinigingspad te bevestigen.

- ◆ Veeg of stofzuig de vloer altijd voor u de stoomreiniger gebruikt.
- ◆ U werkt het gemakkelijkst met het apparaat door de handgreep in een hoek van 45° te kantelen en steeds kleine oppervlakken schoon te maken.
- ◆ Gebruik in de stoomreiniger alleen water zonder toevoegingen en chemicaliën. U kunt hardnekkige vlekken uit vinyl- of linoleumvloeren verwijderen door ze, voor u de stoomreiniger gebruikt, voor te behandelen met een mild reinigingsmiddel en wat water.

Stoomreinigen met de reiniger

- ◆ Breng de hand-stoomreiniger (5) aan op de behuizing van de stoomreiniger (11)
- ◆ Plaats een reinigingspad (13) op de vloer met de klittenband-zijde naar boven.
- ◆ Druk de stoomreiniger licht op de reinigingspad (13).
- ◆ Steek de stekker van de stoomreiniger in het stopcontact.
- ◆ Druk op de AAN/UIT-knop (1). Het opwarmen van de stoomreiniger duurt ongeveer 15 seconden.
- ◆ Draai de Autoselect™-knop (2) naar de gewenste stand. Na een paar seconden begint er stoom uit de stoomkop te komen.

Opmerking! Wanneer u de stoomreiniger voor de eerste keer vult of nadat de watertank leeg is geweest, kan het tot wel 45 seconden duren voordat er stoom wordt geproduceerd.

- ◆ Het duurt een aantal seconden voor er stoom in de reinigingspad doordringt. De stoomreiniger glijdt nu gemakkelijk over het te ontsmetten/reinigen oppervlak.

- ◆ Duw en trek de stoomreiniger langzaam over het vloeroppervlak zodat dit in delen grondig met stoom wordt gereinigd.
- ◆ Zet, wanneer u klaar bent met de stoomreiniger, de handgreep (8) weer rechtop, en let er daarbij op dat de handgreep wordt ondersteund, en schakel het apparaat uit ('OFF'). Wacht tot de stoomreiniger is afgekoeld (ongeveer vijf minuten).

Let op! Het is belangrijk dat goed let op het waterniveau in de watertank. Wanneer u de watertank wilt vullen en daarna wilt doorgaan met reinigen, zet de handgreep dan rechtop en schakel de stoomreiniger 'UIT'. Haal de stekker uit het stopcontact, vul de watertank.

Let op! Laat de stoomreiniger nooit langere tijd op één plek op een oppervlak staan. Zet de stoomreiniger altijd met de handgreep (8) rechtop neer en let erop dat u de stoomreiniger uitschakelt, wanneer u het apparaat niet gebruikt.

Tapijtopfrissing

- ◆ Plaats een reinigingspad (13) op de vloer met de klittenband-zijde naar boven.
- ◆ Druk de stoomreiniger licht op de reinigingspad.
- ◆ Plaats het tapijthulpstuk (12b) op de vloer.
- ◆ Druk de stoomreiniger licht op het tapijthulpstuk tot deze vastklikt.
- ◆ Steek de stekker van de stoomreiniger in het stopcontact.
- ◆ Druk op de AAN/UIT-knop (1). Het opwarmen van de stoomreiniger duurt ongeveer 15 seconden.
- ◆ Draai de Autoselect™-knop (2) naar de stand Hout/Laminaat.
- ◆ Duw en trek de stoomreiniger langzaam over het tapijt zodat de verschillende delen grondig worden opgefrist.
- ◆ Zet, wanneer u klaar bent met de stoomreiniger, de handgreep (8) weer rechtop, en schakel het apparaat uit ('OFF'). Wacht tot de stoomreiniger is afgekoeld (ongeveer vijf minuten).

Na gebruik

- ◆ Draai de Autoselect™-knop (2) naar de stand OFF.
- ◆ Wacht tot de stoomreiniger is afgekoeld.
- ◆ Trek de stekker van de stoomreiniger uit het stopcontact.
- ◆ Giet de watertank leeg.
- ◆ Maak de reinigingspad (13) los en was deze voor een volgend gebruik (volg vooral de wasinstructies die op de reinigingspad zijn afgedrukt).
- ◆ Wind het snoer om de ophanghaken (7 en 9).
- ◆ Er is een ophanghaak (15) ingebouwd in de handgreep (6), en u kunt daarmee de stoomreiniger aan een geschikte haak aan de wand ophangen. Controleer altijd dat de wandhaak stevig genoeg is voor het gewicht van de stoomreiniger.

Schoonmaken met de hand-stoomreiniger

Waarschuwing! ! Houd tijdens gebruik het apparaat altijd in een horizontale stand.

- ◆ Bevestig het hulpstuk waarmee u wilt werken.
- ◆ Steek de stekker van de hand-stoomreiniger in het stopcontact.
- ◆ Druk op de AAN/UIT-knop (1). Het opwarmen van de stoomreiniger duurt ongeveer 15 seconden.
- ◆ Draai de Autoselect™-knop (2) naar de gewenste stand. Na een paar seconden begint er stoom uit de stoomkop te komen.

Opmerking! Wanneer u de stoomreiniger voor de eerste keer vult of nadat de watertank leeg is geweest, kan het tot wel 45 seconden duren voordat er stoom wordt geproduceerd.

- ◆ Draai, wanneer u klaar bent met het werken met de stoomreiniger, de Autoselect™-knop (2) in de stand OFF. Schakel het apparaat uit door op de aan/uit-knop (ON/OFF) (1) te drukken en trek de stekker uit het stopcontact. Wacht even (ongeveer vijf minuten) met opbergen tot het apparaat is afgekoeld.

Accessoires

De prestaties van het apparaat zijn afhankelijk van de gebruikte accessoires. Accessoires van BLACK+DECKER zijn ontworpen volgens hoge kwaliteitsnormen en zij verhogen de prestaties van uw apparaat. Door deze accessoires te gebruiken kunt u uw apparatuur optimaal laten presteren.

Technische gegevens

FSMH1321		
Spanning	V _{ac}	230
Elektrisch	W	1300
Tankcapaciteit	ml	500
Gewicht	kg	2,7

FSMH1351SM		
Spanning	V _{ac}	230
Elektrisch	W	1300
Tankcapaciteit	ml	500
Gewicht	kg	2,7

FSMH13101SM		
Spanning	V _{ac}	230
Elektrisch	W	1300
Tankcapaciteit	ml	500
Gewicht	kg	2,8

FSMH13151SM		
Spanning	V _{ac}	230
Elektrisch	W	1300
Tankcapaciteit	ml	500
Gewicht	kg	2,8

FSMH1351SM		
Spanning	V _{ac}	230
Elektrisch	W	1300
Tankcapaciteit	ml	500
Gewicht	kg	2,7
FSMH13101SM		
FSMH1321J		
Spanning	V _{ac}	230
Elektrisch	W	1300
Tankcapaciteit	ml	500
Gewicht	kg	2,7
FSMH1321JSM		
Spanning	V _{ac}	230
Elektrisch	W	1300
Tankcapaciteit	ml	500
Gewicht	kg	2,8

FSMH1321JMD		
Spanning	V _{ac}	230
Elektrisch	W	1300
Tankcapaciteit	ml	500
Gewicht	kg	2,8

Problemen oplossen

Ga te werk volgens onderstaande instructies, als de machine niet goed lijkt te functioneren. Neem contact op met het BLACK+DECKER-servicecentrum bij u in de buurt, als u het probleem niet kunt verhelpen.

Probleem	Stap	Mogelijke oplossing
De stoomreiniger werkt niet	1.	Controleer dat de stekker van de unit in het stopcontact zit.
	2.	Controleer dat de unit is ingeschakeld met de AAN/UIT-schakelaar (1)
	3.	Controleer de zekering.
De stoomreiniger produceert geen stoom	4.	De stoomreiniger produceert alleen stoom als de hand-stoomreiniger (5) goed in de behuizing (11) is geplaatst, de stoomslang is geplaatst en Autoselect™ op ON is gezet
	5.	Controleer dat de watertank vol is. Opmerking: Wanneer u de stoomreiniger voor de eerste keer vult of nadat de watertank leeg is geweest, kan het tot wel 45 seconden duren voordat er stoom wordt geproduceerd.
	6.	Controleer stap 1, dan 2, dan 3
De stoomreiniger produceert tijdens het gebruik geen stoom meer	7.	Controleer stap 4, dan 5, dan 3.
De stoomreiniger produceert tijdens het werken te veel stoom	8.	Beperk de hoeveelheid stoom die wordt geproduceerd door de Autoselect™-knop (2) naar links te draaien
De stoomreiniger produceert tijdens het werken te weinig stoom	9.	Laat de hoeveelheid stoom die wordt geproduceerd toenemen door de Autoselect™-knop (2) naar rechts te draaien

Probleem	Stap	Mogelijke oplossing
Er komt geen stoom uit de hand-stoomreiniger	10.	Controleer dat de Autoselect™-knop (2) in de stand ON staat
	11.	Controleer stap 5, dan 1, dan 2, dan 3
De hand-stoomreiniger produceert tijdens het werken te weinig stoom	12.	Laat de hoeveelheid stoom die wordt geproduceerd toenemen door de Autoselect™-knop (2) naar rechts te draaien
	13.	Controleer stap 5
De hand-stoomreiniger produceert tijdens het werken te veel stoom	14.	Beperk de hoeveelheid stoom die wordt geproduceerd door de Autoselect™-knop (2) naar links te draaien
De hulpstukken blijven van het apparaat vallen	15.	Raadpleeg het hoofdstuk van de handleiding met de instructies voor de juiste bevestiging van alle onderdelen en hulpstukken
Er ontsnapt stoom uit het apparaat op plaatsen waar u dat niet verwacht	16.	Raadpleeg het hoofdstuk van de handleiding met de instructies voor de juiste bevestiging van alle onderdelen en hulpstukken.
Waar kan ik meer informatie/hulpstukken verkrijgen	17.	www.blackanddecker.co.uk/steam mop www.blackanddecker.ie/steam mop

Onderhoud en reiniging

Uw BLACK+ DECKER-apparaat (met snoer) is ontworpen om gedurende langere periode te functioneren met een minimum aan onderhoud. Voortdurend gebruik naar tevredenheid is afhankelijk van de juiste verzorging en regelmatige reiniging van het apparaat.

Waarschuwing! Schakel het apparaat uit en verwijder altijd de stekker uit het stopcontact voor u onderhouds- of reinigingswerkzaamheden aan het apparaat uitvoert.

- ◆ Veeg het apparaat schoon met een zachte vochtige doek.
- ◆ Voor hardnekkige vlekken kunt u met een milde oplossing van water en zeep de reinigingspad bevochtigen.

Verzorging van de reinigingspads

Wasinstructies - Geen wasverzachter - Volledig laten drogen voor een volgend gebruik.

Let op! Volg de wasinstructies die op het label van de reinigingspad zijn afgedrukt.

Netstekker vervangen (alleen VK en Ierland)

Als er een nieuwe netstekker moet worden gemonteerd:

- ◆ Gooi de oude stekker op verantwoorde wijze weg.
- ◆ Verbind de bruine draad met de spannings-/ faseaansluiting in de nieuwe stekker.
- ◆ Verbind de blauwe draad met de nulaansluiting.
- ◆ Verbind de groen/gele draad met de aardepool.

Waarschuwing! Volg de montage-instructies die bij stekkers van goede kwaliteit worden geleverd. Aanbevolen zekering: 13A.

Het milieu beschermen



Gescheiden afvalinzameling. Producten en accu's die zijn voorzien van dit symbool mogen niet bij het normale huishoudafval worden weggegooid.

Producten en accu's bevatten materialen die kunnen worden teruggewonnen of gerecycled en dat doet de vraag naar grondstoffen afnemen.

Recycle elektrische producten en accu's volgens de ter plaatse geldende bepalingen. Nadere informatie is beschikbaar op www.2helpU.com

Garantie

Black & Decker heeft vertrouwen in zijn producten en biedt consumenten een garantie van 24 maanden vanaf de datum van aankoop. Deze garantie vormt een aanvulling op uw wettelijke rechten en beperken deze niet. De garantie is geldig op het grondgebied van de Lidstaten van de Europese Unie en de Europese Vrijhandelszone.

Voor een garantie-aanspraak moet uw aanspraak in overeenstemming zijn met de Voorwaarden en Condities van Black&Decker en moet u een bewijs van aankoop overleggen aan de verkoper of aan een geautoriseerde reparatiemonteur. Voorwaarden en condities van de 2-jarige garantie van Black&Decker en het adres van de vestiging van het geautoriseerde reparatiecentrum bij u in de buurt, kunt u vinden op internet op www.2helpU.com of door contact op te nemen met het Black & Decker-kantoor ter plaatse, op het adres dat in deze handleiding wordt vermeld.

Ga naar onze website www.blackanddecker.co.uk, registreer uw nieuwe product van Black & Decker en ontvang informatie over nieuwe producten en speciale aanbiedingen.

Uso previsto

Las mopas de vapor FSMH1321, FSMH1351SM, FSMH13101SM, FSMH13151SM, FSMH1321J, FSMH1321JSM, FSMH1321JMD de BLACK+DECKER™ han sido diseñadas para la desinfección y la limpieza de los suelos de madera dura sellada, material laminado sellado, linóleo, vinilo, baldosas de cerámica, piedra, y mármol. Este aparato ha sido concebido únicamente para uso doméstico en interiores.

Instrucciones de seguridad



Advertencia. Lea todas las advertencias de seguridad y todas las instrucciones. En caso de no atenderse a las siguientes advertencias e instrucciones de seguridad, podría producirse una descarga eléctrica, incendio o lesión grave.



Advertencia. Al utilizar aparatos eléctricos, es necesario seguir las precauciones de seguridad básicas, incluidas las que se indican a continuación, para reducir el riesgo de incendios, electrocución, lesiones y daños materiales.

- ◆ En este manual se describe el uso para el que se ha diseñado el aparato. La utilización de accesorios o la realización de operaciones distintas a las recomendadas en este manual de instrucciones puede conllevar un riesgo de lesiones.
- ◆ Conserve este manual para futuras consultas.

Uso del aparato

- ◆ No dirija el vapor directamente a las personas, los animales, los aparatos eléctricos o las tomas eléctricas.
- ◆ No exponga el producto a la lluvia.
- ◆ No sumerja el aparato en agua.
- ◆ No deje el aparato desatendido.
- ◆ No deje el aparato conectado a una toma eléctrica cuando no lo esté utilizando.
- ◆ No tire del cable de alimentación para desconectar el aparato de la toma de corriente. Mantenga el cable de alimentación del aparato alejado de fuentes de calor, aceites y bordes afilados.
- ◆ No manipule el limpiador a vapor con las manos húmedas.
- ◆ No tire del cable ni transporte el aparato tirando del cable, no utilice el cable como un asa, no pille el cable con la puerta, no tire del cable por esquinas afiladas y no exponga el cable a superficies calientes.
- ◆ No utilice el aparato en espacios cerrados llenos de vapor emitido por disolventes de pintura al óleo, de determinadas sustancias resistentes a las polillas, de polvo inflamable o de otros gases explosivos o tóxicos.
- ◆ Compruebe el tipo de suelo con el fabricante.
- ◆ No lo utilice sobre piel, muebles o suelos pulidos con cera, telas sintéticas, terciopelo ni en otros materiales delicados sensibles al vapor.



Advertencia. No lo utilice sobre suelos de madera o suelos laminados sin sellar. En superficies que han sido tratadas con cera o en algunos suelos sin cera, es posible que el calor y la acción del vapor acaben con el brillo. Antes de proceder, se recomienda siempre realizar una prueba en una zona aislada de la superficie que se va a limpiar. Es recomendable asimismo que consulte las instrucciones de uso y de cuidado del fabricante del suelo.

- ◆ No introduzca nunca productos desoxidantes, aromáticos, alcohólicos o detergentes en el limpiador a vapor, puesto que podría dañarse o funcionar de forma peligrosa.
- ◆ Si el disyuntor de su hogar se activa mientras está usando la función de vapor, deje de utilizar el aparato inmediatamente y póngase en contacto con el centro de atención al cliente. (Tenga cuidado con el riesgo de descarga eléctrica.)
- ◆ El aparato emite vapor muy caliente para desinfectar el área de uso. Esto implica que la cabeza de vapor, las almohadillas limpiadoras y el accesorio para alfombras pueden calentarse mucho durante su uso.

Precaución. Utilice siempre un calzado adecuado cuando maneje la mopa de vapor y cuando le cambie los accesorios. No utilice zapatillas o calzado abierto.

- ◆ Es posible que, al utilizar el aparato, la tapa se caliente.
- ◆ Es posible que se escape vapor del aparato durante el uso. Debe tenerse especial cuidado al utilizar este aparato. Mientras utiliza el aparato, NO toque las piezas que pueden calentarse.
- ◆ Apague el aparato y coloque el mango en posición vertical antes de quitar el depósito de agua.
- ◆ Si observa que se escapa vapor del cuerpo del limpiador a vapor de mano, apague la unidad y desconéctela de la toma de corriente. Espere a que se enfríe. Póngase en contacto con su agente de servicio técnico más cercano. No siga utilizando el aparato.
- ◆ Compruebe con regularidad que el cable de alimentación no ha sufrido daños.
- ◆ No utilice el aparato si presenta alguna pieza dañada o defectuosa.
- ◆ Solicite al servicio técnico autorizado la reparación o sustitución de las piezas dañadas o defectuosas.
- ◆ Nunca intente extraer ni sustituir ninguna pieza que no esté especificada en este manual.

Seguridad de otras personas

- ◆ Este aparato puede ser utilizado por niños de más de 8 años de edad y por personas con capacidades físicas, sensoriales o mentales disminuidas, o que carezca de experiencia y conocimientos, si están supervisadas o han recibido formación sobre el uso seguro del aparato y comprenden los peligros que entraña su uso. Los niños no deben jugar con el aparato. Los niños no deberán realizar las tareas de limpieza y mantenimiento de usuario, salvo que lo hagan bajo supervisión.
- ◆ Los niños deben vigilarse en todo momento para garantizar que el aparato no se toma como elemento de juego.

Después de la utilización

- ◆ Desenchufe el aparato y espere a que se enfríe antes de limpiarlo.
- ◆ Cuando no lo utilice, guarde el aparato en un lugar seco.
- ◆ Los niños no deben tener acceso a los aparatos guardados.

Inspecciones y reparaciones

- ◆ Antes de realizar cualquier operación de mantenimiento o de reparación, primero debe desenchufar el aparato y esperar a que se enfríe.
- ◆ Antes de utilizar el aparato, compruebe que no tenga piezas dañadas ni defectuosas. Compruebe que no haya piezas rotas, que los interruptores no estén dañados y que no existan otros defectos que puedan afectar al funcionamiento del aparato.

Riesgos residuales

El uso de esta herramienta puede producir riesgos residuales adicionales no incluidos en las advertencias de seguridad adjuntas. Estos riesgos se pueden generar por un uso incorrecto, demasiado prolongado, etc. El cumplimiento de las normas de

seguridad correspondientes y el uso de dispositivos de seguridad no evitan ciertos riesgos residuales. Dichos riesgos incluyen:

- ◆ Lesiones producidas por el contacto con piezas móviles.
- ◆ Lesiones producidas por el contacto con piezas calientes.
- ◆ Lesiones producidas al cambiar cualquier pieza o accesorio.
- ◆ Lesiones producidas al usar el aparato por un tiempo demasiado prolongado. Si utiliza un aparato durante períodos de tiempo demasiado prolongados, asegúrese de realizar pausas con frecuencia.

Seguridad eléctrica



Advertencia. Este producto debe conectarse a una toma de tierra. Compruebe siempre que el voltaje suministrado corresponda al indicado en la placa de características.

El enchufe de la herramienta eléctrica debe corresponder a la toma de corriente utilizada. No modifique nunca el enchufe de ninguna forma. Los enchufes no modificados y las tomas de corriente compatibles reducen el riesgo de descarga eléctrica.

- ◆ Si se dañara el cable de alimentación, deberá ser sustituido por el fabricante o por un centro de asistencia técnica autorizado de BLACK+DECKER para evitar cualquier situación de riesgo.

Cables de extensión y productos de la clase 1

- ◆ El cable de 3 núcleos debe utilizarse cuando el aparato esté conectado a una toma de tierra y cumpla con la clase 1.
- ◆ Es posible utilizar hasta 30 m sin perder energía.

Etiquetas del aparato

Los siguientes pictogramas están colocados junto al código en el aparato.



PRECAUCIÓN Vapor caliente. Peligro de quemaduras.



Chorreado de agua cuando se usa dado vuelta



El vapor sale por todas partes



No dejar sin vigilancia con niños pequeños



Lavar a 60 °C. No utilizar lejía ni suavizante.



Precaución. Superficie caliente

Características

Este aparato incluye una o más de las siguientes características.

1. Interruptor de encendido/apagado
2. Mando Autoselect™
3. Empuñadura del limpiador de vapor a mano
4. Tapón de llenado
5. Limpiador a vapor de mano
6. Empuñadura
7. Gancho superior para recogida del cable
8. Empuñadura principal
9. Gancho inferior para recogida del cable
10. Botón de extracción del limpiador de vapor a mano
11. Cuerpo principal

- 12. Cabeza para limpieza de suelos
- 12a. Cabeza para limpieza de suelos con chorro de vapor
- 12b. Deslizador para alfombras
(para usar sobre alfombras)
- 13. Almohadilla para limpieza de suelos
- 14. Lengüeta de extracción de la almohadilla para limpieza de suelos
- 15. Soporte para colgar
- 16. Manguera de vapor
- 17. Boquilla de vapor
- 18. Cepillo angular
(para usar en manchas difíciles de remover)
- 18a. Cepillo angular para BBQ (cepillo metálico)
- 19. Cepillo
(para usar en baldosas / cemento)
- 20. Escobilla de goma
(para usar en mamparas de ducha / cristales / espejos / ropa / tapicería)
- 20a. Almohadilla limpiadora para la escobilla de goma
- 21. Escobilla de goma grande
(para usar en mamparas de ducha / cristales / espejos / ropa / tapicería)
- 21a. Almohadilla limpiadora para la escobilla de goma grande
- 22. Cepillo para chorro de vapor
- 22a. Cepillo de alambre para chorro de vapor
(para usar en parrillas / hornos)
- 22b. Cepillo para chorro de vapor
(para usar en parrillas / hornos / quemadores de hornos / grifos / lechadas de cemento)
- 22c. Cepillo ancho para chorro de vapor
(para usar en grandes superficies de trabajo)
- 23. Cabeza triangular
(para usar sobre ropa / tapicería / grandes superficies de trabajo)
- 23a. Almohadilla limpiadora para superficies planas
- 23b. Acoplamiento para vaporizar prendas
(para usar con ropa / tapicería)
- 23c. Cepillo para vaporizar prendas
(para usar con ropa / tapicería)
- 23d. Almohadilla para vaporizar prendas
(para usar con ropa / tapicería)
- 23e. Deslizador de alfombras con cabeza Delta
- 25. SteaMitt™
- 26. Manguera del SteaMitt™
- 27. Almohadilla limpiadora del SteaMitt™
- 27a. Almohadilla limpiadora 2 del SteaMitt™
- 27b. Almohadilla limpiadora 3 del SteaMitt™
- 28. Boquilla ajustable

Configuración

	F S M H 1 3 2 1	F S M H 1 3 5 1 S M	F S M H 1 3 1 0 S M	F S M H 1 3 1 5 1 S M	F S M H 1 3 2 1 J	F S M H 1 3 2 1 J S M	F S M H 1 3 2 1 J M D	Ajustes de vapor recomendados
12	✓	✓	✓	✓	✓	✓	✓	Todo
12a			✓	✓	✓	✓	✓	Todo
12b				✓	✓	✓	✓	Todo
13	✓	✓	✓	✓	✓	✓	✓	Todo
16	✓	✓	✓	✓	✓	✓	✓	Todo
18	✓	✓		✓	✓	✓		Todo
18a				✓	✓	✓		Todo
19	✓	✓			✓	✓		Todo
20	✓	✓	✓	✓				*
20a	✓	✓	✓	✓				*
21					✓	✓	✓	*
21a					✓	✓	✓	*
22			✓	✓			✓	Todo
22a			✓	✓			✓	Todo
22b			✓	✓			✓	Todo
22c			✓	✓			✓	Todo
23							✓	Todo
23a							✓	Todo
23b							✓	*
23c							✓	*
23d							✓	*
23e							✓	*
25		✓	✓	✓		✓	✓	*
26		✓	✓	✓		✓	✓	*
27		✓	✓	✓		✓	✓	*
27a							✓	*
27b							✓	*
28				✓	✓	✓	✓	Todo

Montaje



Advertencia. Antes de llevar a cabo cualquiera de las siguientes instrucciones, asegúrese de que el aparato está apagado, desenchufado y frío, y de que no contenga agua.

Instalación del mango (Fig. A)

- ◆ Deslice el extremo inferior del mango (8) hacia el extremo superior del cuerpo de la mopa de vapor (11) hasta que encaje en su sitio.

Colocación del limpiador a vapor de mano (Fig. B)

- ◆ Sujetando el cuerpo de la mopa de vapor (11) por la parte posterior, empuje el limpiador a vapor de mano (5) firmemente hacia el cuerpo de la mopa de vapor (11)

asegurándose de que se inserte correctamente en el acoplamiento (11a) hasta que encaje en su sitio.

Desmontaje del limpiador a vapor de mano (Fig. B)

- ◆ Pulse el botón de extracción (10) del cuerpo principal (11) y saque el limpiador a vapor de mano (5) del acoplamiento (11a) del cuerpo principal (11).

Instalación de la almohadilla limpiadora (Fig. C)

Las almohadillas limpiadoras de repuesto están disponibles en el distribuidor de BLACK+DECKER más cercano (cat. n.º FSMP20-XJ).

- ◆ Coloque una almohadilla limpiadora (13) en el suelo con la cinta de velcro con fibras en bucle hacia arriba.
- ◆ Empuje suavemente la mopa de vapor hacia abajo sobre la almohadilla limpiadora (13).

Nota: Esta unidad puede suministrarse con una cabeza estándar para limpieza de suelos (12) o con una cabeza para limpieza con chorro de vapor (12a). En ambos casos, siga estas instrucciones para colocar una almohadilla limpiadora.

Precaución. Durante un imprevisto, no deje nunca la mopa de vapor en el mismo sitio sobre ningún tipo de superficie, aunque sea por poco tiempo. Coloque siempre la mopa de vapor con el mango (8) en posición vertical cuando esté parada y asegúrese de que esté apagada cuando no la use.

Extracción de la almohadilla limpiadora

Precaución. Utilice siempre un calzado adecuado cuando cambie la almohadilla limpiadora de la mopa de vapor. No utilice zapatillas o calzado abierto.

- ◆ Vuelva a colocar el mango (8) en posición vertical y apague la mopa de vapor con el interruptor en "OFF".
- ◆ Espere a que la mopa de vapor se enfríe (aproximadamente 5 minutos).
- ◆ Levante la mopa de la almohadilla limpiadora liberándola de la sujeción de velcro.

Precaución. Durante un imprevisto, no deje nunca la mopa de vapor en el mismo sitio sobre ningún tipo de superficie, aunque sea por poco tiempo. Coloque siempre la mopa de vapor con el mango (8) en posición vertical cuando esté parada y asegúrese de que esté apagada cuando no la use.

Llenado del depósito de agua (Fig. Q)

Nota. Llene el depósito con agua limpia del grifo (no use productos químicos ni aditivos).

Nota. En zonas con agua dura, se recomienda el uso de agua desionizada.

- ◆ Gire el tapón de llenado (4) hacia arriba para abrirlo.
- ◆ Llene el depósito de agua (no use aditivos ni productos químicos).

Advertencia. Para el llenado, separe la unidad principal y manténgala en posición horizontal.

Advertencia. La capacidad del depósito de agua es de 0.5 litros. No llene en exceso el depósito.

- ◆ Cierre el tapón de llenado (4).

Nota. Asegúrese de que el tapón de llenado esté bien colocado.

Instalación del deslizador para alfombras (12b) (Solo para el uso en alfombras)

- ◆ Coloque el deslizador para alfombras (12b) en el suelo.
- ◆ Coloque una almohadilla limpiadora en la cabeza para limpieza de suelos (12)
- ◆ Empuje suavemente la mopa de vapor hacia abajo sobre el deslizador para alfombras (12b) hasta que encaje en su lugar.

Precaución. Durante un imprevisto, no deje nunca la mopa de vapor en el mismo sitio sobre ningún tipo de superficie, aunque sea por poco tiempo. Coloque siempre la mopa de vapor con el mango (8) en posición vertical cuando esté parada y asegúrese de que esté apagada cuando no la use.

Extracción del deslizador para alfombras

Precaución. Utilice siempre un calzado adecuado cuando cambie el deslizador para alfombras de la mopa de vapor. No utilice zapatillas o calzado abierto.

- ◆ Vuelva a colocar el mango (8) en posición vertical y apague la mopa de vapor con el interruptor en "OFF".
- ◆ Espere a que la mopa de vapor se enfríe (aproximadamente 5 minutos).
- ◆ Coloque la punta del zapato en la lengüeta de extracción del deslizador para alfombras y presione hacia abajo con firmeza.
- ◆ Extraiga la mopa de vapor del deslizador para alfombras.

Precaución. Durante un imprevisto, no deje nunca la mopa de vapor en el mismo sitio sobre ningún tipo de superficie, aunque sea por poco tiempo. Coloque siempre la mopa de vapor con el mango (8) en posición vertical cuando esté parada y asegúrese de que esté apagada cuando no la use.

Colocación de la manguera y los accesorios en el limpiador a vapor de mano (Fig. G - O)

Advertencia. Inspeccione la junta entre el punto de conexión del limpiador a vapor de mano (5) y la manguera de vapor (16) antes de cada uso. Si la junta no ajusta bien o está dañada, póngase en contacto con su agente de servicio técnico autorizado más cercano. No utilice el aparato.

Advertencia. Debe apagar la unidad antes de instalar la manguera.

Colocación de la manguera

- ◆ Pulse el botón de extracción de la manguera de vapor (16a) de la manguera de vapor (16).
- ◆ Conecte la manguera de vapor (16) al limpiador de vapor a mano (5) y suelte el botón de extracción de la manguera

de vapor (16a) asegurándose de que haga clic al encajar en su lugar.

Importante: Asegúrese de que la manguera (16) esté correctamente fijada al limpiador de vapor a mano (5). Si sale vapor de la junta, la junta está mal colocada. Apague la unidad y espere a que se enfríe antes de extraer y volver a colocar la manguera.

Colocación de accesorios (Fig. H)

- ◆ Alinee las aletas de la boquilla de vapor (17) con las hendiduras del accesorio.
- ◆ Presione el accesorio en la boquilla de vapor (17) y gírelo en sentido antihorario hasta que encaje en su lugar.

Importante: Todos los accesorios, salvo el SteaMitt™ (25) que tiene su propia manguera y conector (26), deben estar conectados a la manguera de vapor (16) para usarlos.

Extracción de la manguera y los accesorios

Advertencia. La manguera de vapor (16), la boquilla de vapor (17) y los accesorios se calientan durante el uso. Espere a que la unidad y todos los accesorios se enfríen antes de extraerlos.

Extracción de accesorios

- ◆ Gire el accesorio en sentido antihorario y extráigalo de la manguera (16).

Extracción de la manguera

- ◆ Pulse el botón de extracción de la manguera de vapor (16a) de la manguera de vapor (16) y sáquela de la limpiadora de vapor a mano.

SteaMitt™

El SteaMitt™ de BLACK+DECKER™ ha sido diseñado para la desinfección y limpieza de baldosas, superficies de trabajo, encimeras y superficies de baños. Este aparato ha sido concebido únicamente para uso doméstico en interiores.

Colocación de la manguera del SteaMitt™ al limpiador a vapor de mano

Advertencia. Inspeccione la junta de la boquilla de vapor y la manguera antes de cada uso. Si falta la junta o está dañada, póngase en contacto con su agente de servicio técnico más cercano. **No utilice el aparato.** Inspeccione la junta del SteaMitt™ y la manguera. Si la junta falta, está dañada o sale vapor, contacte con su agente de reparaciones autorizado más próximo. **No utilice el aparato.** Compruebe que la manguera del SteaMitt™ o la manguera del accesorio no estén bloqueadas ni tengan ningún obstrucción. Si detecta un bloqueo u obstrucción, póngase en contacto con su agente de reparaciones autorizado más próximo. **No utilice el aparato.**

Colocación de la almohadilla limpiadora al SteaMitt™ (Fig. L)

Advertencia. Compruebe que los orificios de salida de vapor no estén bloqueados ni tengan obstrucciones. En caso de haya bloqueos u obstrucciones, póngase en contacto con el agente de reparaciones autorizado más próximo. **No utilice el aparato.**

- ◆ Coloque la almohadilla limpiadora (27) al SteaMitt™ (25) uniendo las cintas de velcro con las fibras en bucle (27a) de la parte superior de la almohadilla limpiadora a las almohadillas con el velcro con ganchos (25a) de la parte inferior del SteaMitt™ (4). Apriete bien hacia abajo.

Advertencia. El SteaMitt™ no debe usarse sin colocar una almohadilla limpiadora.

Nota: Con el SteaMitt™ pueden usarse 4 tipos de almohadillas limpiadoras de diferentes espesores. Almohadilla de estropajo (para uso en manchas difíciles y superficies no delicadas), almohadilla de baño (para uso en grifos y otras superficies de baño moldeadas), almohadilla estándar (para uso en las superficies más grandes) y almohadilla de pulido (para uso en superficies delicadas).

Advertencia. Use siempre el SteaMitt™ como se muestra en la figura M, con lamano dentro del guante protector.



Advertencia. Nunca intente usar el SteaMitt™ aferrándolo



externamente como se muestra en la figura N. Se producirán quemaduras.



Advertencia. Evite usar el SteaMitt™ en ángulos estrechos como se muestra en la figura O.



Advertencia. Si se produce algún problema durante el uso, use la lengüeta de extracción rápida para sacarse velozmente el SteaMitt™ de la mano como se muestra en la figura P.



Advertencia. No use el SteaMitt™ sobre cristales fríos tales como el de las ventanas pues pueden producirse daños por el cambio brusco de temperatura.



Advertencia. Nunca apunte o dirija el guante hacia usted mismo ni hacia otra persona.

Nota: Se recomienda utilizar el SteaMitt en el ajuste 1 para evitar que la almohadilla se humedezca demasiado.

Uso

Importante: Esta unidad elimina el 99.9 % de las bacterias y los gérmenes si se utiliza de acuerdo con este manual, con las almohadillas de microfibras puestas y durante un lapso continuado de 90 segundos.

Encendido y apagado

- ◆ Para encender el aparato, pulse el botón de encendido y apagado (1). La mopa de vapor tarda aproximadamente 15 segundos en calentarse.
- ◆ Para apagar el aparato, pulse el botón de encendido y apagado (1).

Nota: tenga siempre la mano dentro del SteaMitt™ antes de pulsar el botón de vapor.

Precaución. Durante un imprevisto, no deje nunca la mopa de vapor en el mismo sitio sobre ningún tipo de superficie, aunque sea por poco tiempo.

Coloque siempre la mopa de vapor con el mango (8) en posición vertical cuando esté parada y asegúrese de que esté apagada cuando no la use.

Precaución. Vacíe siempre la mopa de vapor después de utilizarla.

Nota. Puede que tarde hasta 45 segundos en producir vapor al llenarla por primera vez o después de utilizarla en seco.

Tecnología Autoselect™ (Fig. R)

Esta mopa de vapor cuenta con el mando Autoselect™ (2) que presenta varias aplicaciones de limpieza. Se utilizan para seleccionar el modo de funcionamiento correcto para cada trabajo de limpieza en particular.

Mediante Autoselect™, seleccione una de las siguientes aplicaciones girando el mando Autoselect™ (2) para seleccionar el ajuste que desee:

Configuración	Mopa	Limpiador a mano
	Madera/Laminado	Flujo de vapor bajo ●
	Baldosas/Vinilo	Flujo de vapor medio ● ●
	Piedra/Mármol	Flujo de vapor alto ● ● ●

La mopa de vapor seleccionará el volumen correcto de vapor que requiere esta operación de limpieza en particular.

Nota: Compruebe siempre que esté utilizando el ajuste correcto antes de utilizar la mopa de vapor.

Chorro de vapor (Fig. C1) (disponible solo con las unidades FSMH1310SM, FSMH13151SM, FSMH1321J, FSMH1321JMD, FSMH1321JSM)

La cabeza para suelos (12a) está equipada con un pedal de chorro de vapor que ayuda a eliminar las marcas y las manchas más persistentes.

- ◆ Durante el uso, pulse el pedal del chorro de vapor para aplicar una potencia de limpieza adicional.

- ◆ Para volver a la configuración normal, vuelva a pulsar el pedal.

Consejos para un uso óptimo**Información general**

Precaución: No utilice nunca la mopa de vapor sin colocar primero una almohadilla limpiadora.

- ◆ Antes de utilizar la mopa de vapor, aspire o barra el suelo.
- ◆ La manera más fácil de utilizar el aparato consiste en inclinar el mango hasta un ángulo de 45° y limpiar lentamente, cubriendo una pequeña zona por vez.
- ◆ Use agua solamente, sin ningún producto químico ni aditivos con su mopa de vapor. Para eliminar las manchas resistentes de los suelos de vinilo o linóleo, puede tratarlas con un detergente suave y un poco de agua antes de utilizar la mopa de vapor.

Limpieza a vapor con la mopa

- ◆ Coloque el limpiador a vapor de mano (5) en el cuerpo de la mopa de vapor (11).
- ◆ Coloque una almohadilla limpiadora (13) en el suelo con la cinta de velcro con fibras en bucle hacia arriba.
- ◆ Empuje suavemente la mopa de vapor hacia abajo sobre la almohadilla limpiadora (13).
- ◆ Conecte la mopa de vapor a la corriente.
- ◆ Pulse el botón de encendido y apagado (1). La mopa de vapor tarda aproximadamente 15 segundos en calentarse.
- ◆ Gire el mando Autoselect™ (2) hasta la configuración deseada. Al cabo de pocos segundos, comenzará a salir vapor de la cabeza de vapor.

Nota. Puede que tarde hasta 45 segundos en producir vapor al llenarla por primera vez o después de utilizarla en seco.

- ◆ Deben transcurrir unos segundos antes de que el vapor se introduzca por la almohadilla limpiadora. A continuación, la mopa de vapor podrá deslizarse con facilidad sobre la superficie que desee desinfectar o limpiar.
- ◆ Empuje y arrastre lentamente la mopa de vapor hacia delante y hacia atrás por la superficie para limpiar a fondo cada sección.
- ◆ Cuando haya terminado de usar la mopa, vuelva a poner el mango (8) en posición vertical y compruebe que esté apoyada y apagada. Espere a que la mopa de vapor se enfríe (aproximadamente cinco minutos).

Precaución. Es importante que controle el nivel del depósito de agua. Para llenar el depósito de agua y continuar con la desinfección o limpieza coloque la mopa en posición vertical, compruebe que el mango quede apoyado y apague la mopa. Desenchufe la unidad de la toma eléctrica de la pared y llene el depósito de agua.

Precaución. Durante un imprevisto, no deje nunca la mopa de vapor en el mismo sitio sobre ningún tipo de superficie,

aunque sea por poco tiempo. Coloque siempre la mopa de vapor con el mango (8) en posición vertical cuando esté parada y asegúrese de que esté apagada cuando no la use.

Renovación del aspecto de las alfombras

- ◆ Coloque una almohadilla limpiadora (13) en el suelo con la cinta de velcro con fibras en bucle hacia arriba.
- ◆ Empuje suavemente la mopa de vapor hacia abajo sobre la almohadilla limpiadora.
- ◆ Coloque el deslizador para alfombras (12b) en el suelo.
- ◆ Empuje suavemente la mopa de vapor hacia abajo sobre el deslizador para alfombras hasta que encaje en su lugar.
- ◆ Conecte la mopa de vapor a la corriente.
- ◆ Pulse el botón de encendido y apagado (1). La mopa de vapor tarda aproximadamente 15 segundos en calentarse.
- ◆ Gire el mando Autoselect™ (2) hasta la configuración de Madera/Laminado.
- ◆ Arrastre lentamente la mopa de vapor hacia delante y hacia atrás por la alfombra para refrescar a fondo cada sección.
- ◆ Cuando haya terminado de usar la mopa, vuelva a poner el mango (8) en posición vertical y compruebe que esté apoyada y apagada. Espere a que la mopa de vapor se enfríe (aproximadamente cinco minutos).

Después de la utilización

- ◆ Gire el mando Autoselect™ (2) hasta la posición de apagado.
- ◆ Espere a que la mopa de vapor se enfríe.
- ◆ Desenchufe la mopa de vapor de la toma de corriente de pared.
- ◆ Vacíe el depósito de agua.
- ◆ Extraiga la almohadilla limpiadora (13) y lávela para tenerla lista para el próximo uso (tenga cuidado de seguir las instrucciones de lavado impresas en la almohadilla limpiadora).
- ◆ Enrolle el cable de alimentación alrededor de los ganchos de recogida del cable (7 y 9).
- ◆ La mopa de vapor tiene también un soporte para colgar (15) incorporado en la empuñadura (6) que permite colgarla en la pared usando un gancho adecuado. Asegúrese siempre de que el gancho de la pared puede aguantar sin peligro el peso de la mopa de vapor.

Limpiador a vapor de mano

Advertencia. ! Mantenga la unidad en posición horizontal durante su uso.

- ◆ Coloque el accesorio que necesite.
- ◆ Conecte el limpiador a vapor de mano a la corriente.
- ◆ Pulse el botón de encendido y apagado (1). La mopa de vapor tarda aproximadamente 15 segundos en calentarse.

- ◆ Gire el mando Autoselect™ (2) hasta la configuración deseada. Al cabo de pocos segundos, comenzará a salir vapor de la cabeza de vapor.

Nota. Puede que tarde hasta 45 segundos en producir vapor al llenarla por primera vez o después de utilizarla en seco.

- ◆ Cuando haya terminado de usar el limpiador a vapor de mano, gire el mando Autoselect™ (2) hacia la posición de apagado. Apague la unidad pulsando el botón de encendido/apagado (1) y desenchúfela de la corriente. Espere a que la unidad se enfríe antes de guardarla (aproximadamente cinco minutos).

Accesorios

El rendimiento del aparato depende de los accesorios que utilice. Los accesorios de BLACK+DECKER han sido fabricados siguiendo estándares de alta calidad y han sido diseñados para mejorar el funcionamiento del aparato. Con estos accesorios, sacará el máximo provecho a su equipo.

Datos técnicos

FSMH1321		
Tensión	V _{ca}	230
Alimentación	W	1300
Capacidad del depósito	ml	500
Peso	kg	2.7

FSMH1351SM		
Tensión	V _{ca}	230
Alimentación	W	1300
Capacidad del depósito	ml	500
Peso	kg	2.7

FSMH13101SM		
Tensión	V _{ca}	230
Alimentación	W	1300
Capacidad del depósito	ml	500
Peso	kg	2.8

FSMH13151SM		
Tensión	V _{ca}	230
Alimentación	W	1300
Capacidad del depósito	ml	500
Peso	kg	2.8

FSMH1321J		
Tensión	V _{ca}	230
Alimentación	W	1300
Capacidad del depósito	ml	500
Peso	kg	2.7

FSMH1321JSM		
Tensión	V _{ca}	230
Alimentación	W	1300
Capacidad del depósito	ml	500
Peso	kg	2.8

FSMH1321JMD		
Tensión	V _{ca}	230
Alimentación	W	1300
Capacidad del depósito	ml	500
Peso	kg	2.8

Resolución de problemas

Si nota que el aparato no funciona bien, siga las instrucciones que se indican a continuación. Si no se resuelve el problema, póngase en contacto con un técnico autorizado de BLACK+DECKER.

Problema	Paso	Posible solución
La mopa no se apaga	1.	Compruebe que el aparato esté enchufado en una toma de corriente de pared.
	2.	Compruebe que el aparato esté encendido usando el interruptor de apagado y encendido (1)
	3.	Compruebe el fusible del enchufe.
La mopa no genera vapor	4.	La mopa de vapor producirá calor solo si el limpiador a vapor de mano (5) está correctamente acoplado en el cuerpo principal (11), la manguera de vapor está colocada y el Autoselect™ está encendido.
	5.	Compruebe que el depósito de agua esté lleno. Nota: Puede que tarde hasta 45 segundos en producir vapor al llenarla por primera vez o después de utilizarla en seco.
	6.	Compruebe los pasos 1, 2 y 3.
La mopa deja de producir vapor durante el uso	7.	Compruebe los pasos 4, 5 y 3.
La mopa de vapor produce demasiado vapor durante el uso	8.	Gire el mando Autoselect™ (2) en sentido antihorario para reducir la cantidad de vapor producido
La mopa produce demasiado poco vapor durante el uso	9.	Gire el mando Autoselect™ (2) en sentido horario para aumentar la cantidad de vapor producido
El limpiador a vapor de mano no produce vapor	10.	Compruebe que el mando Autoselect™ (2) esté en la posición de encendido.
	11.	Compruebe los pasos 5, 1, 2 y 3.
El limpiador a vapor de mano produce demasiado poco vapor durante el uso	12.	Gire el mando Autoselect™ (2) en sentido horario para aumentar la cantidad de vapor producido
	13.	Compruebe el paso 5
El limpiador a vapor de mano produce demasiado vapor durante el uso	14.	Gire el mando Autoselect™ (2) en sentido antihorario para reducir la cantidad de vapor producido
Los accesorios se desprenden de la unidad	15.	Consulte el capítulo del manual sobre montaje para ver las instrucciones para colocar correctamente las piezas y los accesorios.
El vapor sale por partes no previstas de la unidad	16.	Consulte el capítulo del manual sobre montaje para ver las instrucciones para colocar correctamente las piezas y los accesorios.
¿Dónde puedo obtener más información/ accesorios?	17.	www.blackanddecker.co.uk/steam mop www.blackanddecker.ie/steam mop

Mantenimiento y limpieza

Este aparato con cable de BLACK+ DECKER ha sido diseñado para funcionar durante un largo periodo de tiempo con un mantenimiento mínimo. El funcionamiento satisfactorio continuo depende del buen cuidado del aparato y de una limpieza frecuente.

Advertencia. Antes de realizar el mantenimiento o limpieza de los aparatos con cable, es necesario apagarlos y desenchufarlos.

- ◆ Limpie el aparato con un paño suave y húmedo.
- ◆ En caso de manchas resistentes, puede humedecer el paño en una solución suave de jabón y agua.

Cuidado de las almohadillas limpiadoras

Instrucciones de cuidado y limpieza – No utilice suavizante – Deje que se sequen por completo antes de volver a utilizarlas.

Precución. Siga las instrucciones de cuidado y de limpieza impresas en la etiqueta de la almohadilla limpiadora.

Sustitución del enchufe de alimentación principal (solo Irlanda y Reino Unido)

Si debe colocar un nuevo enchufe de red:

- ◆ Deseche el enchufe anterior según las normas de seguridad.
- ◆ Conecte el cable marrón al terminal conductor del nuevo enchufe.
- ◆ Conecte el cable azul al terminal neutro.
- ◆ Conecte el cable verde/amarillo a una conexión a tierra.

Advertencia. Siga las instrucciones de ajuste suministradas con enchufes de buena calidad. Fusible recomendado: 13A.

Protección del medio ambiente



Recogida selectiva. Los productos y las baterías marcadas con este símbolo no se deben eliminar con la basura doméstica normal.

Los productos y las baterías que contienen materiales que se puedan recuperar o reciclar reducen la demanda de materias primas.

Recicle los productos eléctricos y las baterías de conformidad con la normativa local. Puede obtener más información en www.2helpU.com

Garantía

Black & Decker confía en la calidad de sus productos y ofrece a los consumidores una garantía de 24 meses a partir de la fecha de compra. Esta garantía es adicional a sus derechos legales y no los menoscaba en modo alguno. La garantía es válida dentro de los territorios de los Estados Miembros de la Unión Europea y del Área de Libre Comercio Europea.

Para reclamar la garantía, la reclamación se debe presentar de conformidad con las condiciones de Black & Decker. Tendrá que adjuntar un justificante de compra al vendedor o al

agente técnico autorizado. Las condiciones de la garantía de 2 años de Black & Decker y la ubicación de su agente técnico autorizado más cercano se pueden obtener en Internet en www.2helpU.com o poniéndose en contacto con su oficina local de Black & Decker en la dirección que se indica en este manual.

Visite nuestro sitio web www.blackanddecker.co.uk y registre su nuevo producto Black & Decker para mantenerse al día sobre los nuevos productos y las ofertas especiales.

Utilização pretendida

A mopa a vapor BLACK+DECKER™ FSMH1321, FSMH1351SM, FSMH13101SM, FSMH13151SM, FSMH1321J, FSMH1321JSM, FSMH1321JMD foi concebida para desinfetar e limpar chãos de madeira duras seladas, laminados selados, linóleo, vinil, mosaicos, pedra e mármore. Este equipamento destina-se apenas a utilização doméstica em interiores.

Instruções de segurança



Atenção! Leia todos os avisos de segurança e todas as instruções. O não cumprimento dos seguintes avisos e instruções pode resultar em choque eléctrico, incêndio e/ou ferimentos graves.



Atenção! Quando utilizar equipamentos eléctricos, deve sempre cumprir medidas de segurança básicas, incluindo as que se seguem, de modo a reduzir os riscos de incêndio, choque eléctrico, ferimentos e danos materiais.

- ◆ A utilização prevista para este equipamento está descrita no manual. A utilização de qualquer acessório

ou a execução de qualquer operação com este equipamento que não esteja incluída no presente manual de instruções poderá representar um risco de ferimentos pessoais.

- ◆ Conserve este manual para referência futura.

Utilizar o equipamento

- ◆ Não oriente o vapor para pessoas, animais, equipamentos eléctricos ou tomadas.
- ◆ Não exponha o equipamento à chuva.
- ◆ Não mergulhe o equipamento em água.
- ◆ Não deixe o equipamento sem vigilância.
- ◆ Não deixe o equipamento ligado a uma tomada eléctrica quando não estiver a ser utilizado.
- ◆ Nunca puxe pelo cabo de alimentação para desligar o equipamento da tomada. Mantenha o equipamento afastado do calor, óleo e arestas afiadas.
- ◆ Não pegue na máquina de limpeza a vapor com as mãos molhadas.
- ◆ Não puxe nem transporte pelo cabo, não o utilize como pega, não o entale nas portas, não o puxe em torno de arestas agudas nem o exponha a superfícies aquecidas.
- ◆ Não utilize o equipamento num espaço fechado e cheio de vapor emitido por diluente à base de óleo, algumas substâncias anti-traças, poeiras inflamáveis ou outros vapores explosivos ou tóxicos.

- ◆ Verifique o tipo de chão junto do fabricante.
- ◆ Não utilize em peles, mobiliário ou chãos encerados, tecidos sintéticos, veludo ou outros materiais delicados e sensíveis ao vapor.



Atenção! Não utilize em chãos de madeira ou laminado não selados. Em superfícies que tenham sido tratadas com cera ou em alguns chãos não encerados, o brilho poderá ser removido por acção do calor e do vapor. Antes de iniciar a limpeza, é sempre recomendável efectuar um teste numa área isolada da superfície a limpar. Também recomendamos que consulte as instruções de utilização e manutenção do fabricante do chão.

- ◆ Nunca utilize produtos de desincrustação, aromáticos, alcoólicos ou detergentes na máquina de limpeza a vapor, uma vez que a poderão danificar ou tornar a sua utilização perigosa.
- ◆ Se o disjuntor doméstico disparar durante a utilização da função de vapor, suspenda de imediato a utilização do produto e contacte o centro de apoio ao cliente. (Atenção ao risco de choque eléctrico.)
- ◆ O equipamento emite vapor muito quente para desinfectar a área em que é utilizado. Isso significa que a

cabeça de vapor, panos de limpeza e acessório para alcatifas aquecem muito durante a utilização.

Cuidado! Calce sempre sapatos adequados quando utilizar a mopa a vapor ou substituir os acessórios da mesma. Não calce chinelos ou sandálias.

- ◆ A tampa pode aquecer durante a utilização.
- ◆ Poderá haver libertação de vapor durante a utilização do equipamento. Deverá ter cuidado ao utilizar o equipamento. NÃO toque em nenhuma peça que possa aquecer durante a utilização.
- ◆ Desligue o equipamento e volte a colocar a pega na posição vertical antes de remover o reservatório de água.
- ◆ Se observar uma libertação de vapor do corpo da máquina de limpeza a vapor manual, desligue e desconecte a unidade da alimentação principal, deixando-a arrefecer. Contacte o técnico de reparação autorizado mais próximo. Não continue a utilizar o equipamento.

Após a utilização

- ◆ Desligue o equipamento e deixe-o arrefecer antes de o limpar.
- ◆ Quando não estiver a ser utilizado, o equipamento deve ser guardado num local seco.
- ◆ As crianças não devem ter acesso a equipamentos armazenados.

Inspeção e reparações

- ◆ Antes de executar qualquer

manutenção ou reparação, desligue o equipamento da tomada e deixe-o arrefecer.

- ◆ Antes da utilização, verifique a existência de peças danificadas ou avariadas no equipamento. Verifique se há peças partidas, danos nos interruptores ou outro tipo de condições que possam afectar o funcionamento.
- ◆ Verifique regularmente se o cabo de alimentação apresenta danos.
- ◆ Não utilize o equipamento se alguma das peças se encontrar danificada ou avariada.
- ◆ Mandar reparar ou substituir quaisquer peças danificadas ou avariadas por um técnico de reparação autorizado.
- ◆ Nunca tente retirar ou substituir quaisquer peças que não as especificadas neste manual.

Segurança de terceiros

- ◆ Este equipamento pode ser utilizado por crianças com 8 anos de idade ou mais e por pessoas que apresentem capacidades físicas, sensoriais ou mentais reduzidas ou que não possuam os conhecimentos e a experiência necessários, se forem vigiadas e instruídas acerca da utilização do equipamento de uma forma segura e entenderem os perigos envolvidos. As crianças não devem mexer no equipamento. A limpeza e manutenção não deverão ser efectuadas por crianças sem supervisão.

- ◆ As crianças devem ser vigiadas para que não mexam no equipamento.

Riscos residuais

Podem surgir riscos residuais adicionais durante a utilização da ferramenta, que poderão não constar nos avisos de segurança incluídos. Estes riscos podem resultar de má utilização, uso prolongado, etc.

Mesmo com o cumprimento dos regulamentos de segurança relevantes e a implementação de dispositivos de segurança, alguns riscos residuais não podem ser evitados. Estes incluem:

- ◆ Ferimentos causados pelo contacto com peças em movimento.
- ◆ Ferimentos causados pelo contacto com peças quentes.
- ◆ Ferimentos causados durante a troca de peças ou acessórios.
- ◆ Ferimentos causados pela utilização prolongada do equipamento. Quando utilizar um equipamento durante um período prolongado, faça intervalos regulares.

Segurança eléctrica



Atenção! Este produto deve ter ligação à terra. Verifique sempre se a tensão da tomada de electricidade corresponde à tensão indicada na placa com os requisitos de alimentação da ferramenta.

As fichas eléctricas devem encaixar na tomada. Nunca modifique a ficha de forma alguma. As fichas não modificadas

e as tomadas compatíveis reduzem o risco de choque eléctrico.

- ◆ Se o cabo de alimentação estiver danificado, terá de ser substituído pelo fabricante ou por um centro de assistência autorizado BLACK+DECKER para evitar acidentes.

Cabos de extensão e produto de Classe 1

- ◆ Deve ser utilizado um cabo de 3 condutores dado que o seu equipamento tem ligação à terra e pertence à Classe 1.
- ◆ Podem ser utilizados até 30 m sem perda de energia.

Etiquetas no equipamento

Os seguintes pictogramas, assim como o código de data, estão indicados na ferramenta.



CUIDADO Vapor quente.
Perigo de queimadura.



Se for utilizado ao contrário, há saída de gotas de água



Há saída de vapor por todos os lados



Não deixe que a máquina seja utilizada por crianças sem supervisão



Lave a 60 °C. Não utilize lixívia ou amaciador



Cuidado! Superfície quente

Componentes

Este equipamento inclui algumas ou todas as seguintes características.

1. Interruptor de ligar/desligar
2. Botão Autoselect™
3. Pega da unidade de vapor manual
4. Tampão de enchimento
5. Unidade de vapor manual
6. Pega
7. Gancho superior de organização dos cabos
8. Pega principal
9. Gancho inferior de organização dos cabos
10. Botão de libertação da unidade de vapor manual
11. Corpo principal
12. Cabeça de limpeza do chão
- 12a. Cabeça de limpeza do chão com jacto de vapor
- 12b. Acessório para alcatifas (para uso em alcatifas)
13. Pano de limpeza para chão
14. Patilha de libertação do pano de limpeza para chão
15. Suporte para pendurar
16. Mangueira de vapor
17. Bocal de vapor
18. Acessório para escova em ângulo (para utilização em manchas difíceis de remover)
- 18a. BBQ para escova em ângulo (escova metálica)
19. Acessório da escova (para utilização em azulejos/calda de cimento)
20. Acessório de rodos (para utilização em resguardos para duche/vidro/espelhos/vestuário/estofos)
- 20a. Bolsa para rodos
21. Acessório de rodo grande (para utilização em resguardos para duche/vidro/espelhos/vestuário/estofos)
- 21a. Bolsa para rodos grande
22. Unidade de escovagem com jacto de vapor
- 22a. Escova metálica com jacto de vapor (para utilizar em churrascos/fornos)
- 22b. Escova com jacto de vapor (para utilização em churrascos/fornos/placas de fornos/torneiros/calda de cimento)
- 22c. Escova grande com jacto de vapor (para utilização em superfícies de trabalho maiores)
23. Cabeça delta (para utilização em vestuário/estofos/superfícies de trabalho maiores)
- 23a. Pano de limpeza para superfícies planas
- 23b. Vaporizador de roupa (para uso em vestuário/estofos)
- 23c. Escova de vaporização de roupa (para uso em vestuário/estofos)

- 23d. Pano a vapor para vestuário (para uso em vestuário/estofos)
- 23e. Acessório para alcatifas com cabeça delta
- 25. SteaMitt™
- 26. Mangueira da SteaMitt™
- 27. Pano de limpeza da SteaMitt™
- 27a. Pano de limpeza 2 da SteaMitt™
- 27b. Pano de limpeza 3 da SteaMitt™
- 28. Bocal ajustável

Configuração

	FSMH13101SM	FSMH13151SM	FSMH1321J	FSMH1321JSM	FSMH1321JMD	Definições de vapor recomendadas
12	✓	✓	✓	✓	✓	Tudo
12a			✓	✓	✓	Tudo
12b			✓	✓	✓	Tudo
13	✓	✓	✓	✓	✓	Tudo
16	✓	✓	✓	✓	✓	Tudo
18	✓	✓		✓	✓	Tudo
18a				✓	✓	Tudo
19	✓	✓		✓	✓	Tudo
20	✓	✓	✓			*
20a	✓	✓	✓			*
21				✓	✓	*
21a				✓	✓	*
22			✓	✓		Tudo
22a			✓	✓		Tudo
22b			✓	✓		Tudo
22c			✓	✓		Tudo
23					✓	Tudo
23a					✓	Tudo
23b					✓	*
23c					✓	*
23d					✓	*
23e					✓	*
25		✓	✓	✓	✓	*
26		✓	✓	✓	✓	*
27		✓	✓	✓	✓	*
27a					✓	*
27b					✓	*
28			✓	✓	✓	Tudo

Montagem



Atenção! Antes de tentar seguir qualquer das seguintes instruções, certifique-se de que o equipamento está desligado e que a respectiva ficha não está ligada à corrente eléctrica, se encontra à temperatura ambiente e não contém água.

Fixar a pega (Fig. A)

- ◆ Faça deslizar a extremidade inferior da pega (8) para dentro da extremidade superior do corpo da mopa a vapor (11) até ouvir um clique de encaixe.

Montagem da máquina de limpeza a vapor manual (Fig. B)

- ◆ Enquanto segura na parte de trás da estrutura da mopa a vapor (11), pressione a máquina de limpeza a vapor manual (5) com firmeza no corpo da mopa a vapor (11), certificando-se de que assenta correctamente sobre a ligação (11a) e encaixa bem no respectivo local.

Remover a máquina de limpeza a vapor manual (Fig. B)

- ◆ Empurre o botão de libertação (10) no corpo principal (11) e levante a máquina de limpeza a vapor manual (5) da ligação (11a) e afastada do corpo principal (11).

Colocar um pano de limpeza (Fig. C)

Encontram-se disponíveis panos de limpeza sobresselentes no seu revendedor BLACK+DECKER:- (cat. n.º FSMP20-XJ).

- ◆ Coloque um pano de limpeza (13) no chão com o lado de "gancho" com velcro para cima.
- ◆ Pressione ligeiramente a mopa a vapor para baixo sobre o pano de limpeza (13).

Nota: Esta unidade pode ser fornecida com uma cabeça de limpeza padrão para chão (12) ou uma cabeça de limpeza com jacto de vapor (12a). Seja qual for a situação, siga estas instruções para colocar um pano de limpeza.

Cuidado! Nunca deixe a mopa a vapor no mesmo ponto de uma superfície durante muito tempo. Quando não a estiver a utilizar, coloque sempre a mopa a vapor com a pega (8) na posição vertical, certificando-se de que se encontra desligada.

Remover um pano de limpeza

Cuidado! Calce sempre sapatos adequados ao mudar o pano de limpeza da mopa a vapor.

Não calce chinelos ou sandálias.

- ◆ Volte a colocar a pega (8) na posição vertical e desligue a mopa a vapor.
- ◆ Deixe a mopa a vapor arrefecer antes de a guardar (cerca de 5 minutos).
- ◆ Afaste a mopa a vapor do pano de limpeza para libertá-la do fecho de velcro.

Cuidado! Nunca deixe a mopa a vapor no mesmo ponto de uma superfície durante muito tempo.

Quando não a estiver a utilizar, coloque sempre a mopa a vapor com a pega (8) na posição vertical, certificando-se de que se encontra desligada.

Encher o reservatório de água (Fig. Q)

Nota! Encha o reservatório de água com água limpa da torneira (não utilize produtos químicos ou aditivos).

Nota! Em zonas de água dura, recomendamos a utilização de água desionizada.

- ◆ Abra o tampão de enchimento (4), rodando-o para cima.
- ◆ Encha o reservatório de água com água (não utilize aditivos ou produtos químicos).

Atenção! Quando encher, separe a unidade principal e mantenha-a na horizontal.

Atenção! O reservatório de água tem uma capacidade de 0,5 litros. Não encha o reservatório demasiado.

- ◆ Feche o tampão de enchimento (4).

Nota! Certifique-se de que o tampão de enchimento está bem fixado.

Montagem do acessório para alcatifas (12b) (apenas para alcatifas)

- ◆ Coloque o acessório para alcatifas (12b) no chão.
- ◆ Coloque um pano de limpeza na cabeça de limpeza para chão (12)
- ◆ Pressione ligeiramente a mopa a vapor para baixo sobre o acessório para alcatifas (12b) até ouvir um clique de encaixe.

Cuidado! Nunca deixe a mopa a vapor no mesmo ponto de uma superfície durante muito tempo. Quando não a estiver a utilizar, coloque sempre a mopa a vapor com a pega (8) na posição vertical, certificando-se de que se encontra desligada.

Remoção do acessório para alcatifas

Cuidado! Calce sempre sapatos adequados ao mudar o acessório para alcatifas da mopa a vapor. Não calce chinelos ou sandálias.

- ◆ Volte a colocar a pega (8) na vertical e desligue a mopa a vapor.
- ◆ Deixe a mopa a vapor arrefecer antes de guardá-la (cerca de 5 minutos).
- ◆ Coloque a parte da frente do seu sapato na patilha de remoção do acessório para alcatifas e pressione para baixo com firmeza.
- ◆ Levante a mopa a vapor do acessório para alcatifas.

Cuidado! Nunca deixe a mopa a vapor no mesmo ponto de uma superfície durante muito tempo. Quando não a estiver a utilizar, coloque sempre a mopa a vapor com a pega (8) na posição vertical, certificando-se de que se encontra desligada.

Montagem da mangueira e dos acessórios à máquina de limpeza a vapor manual (Fig. G - O)

Atenção! Verifique o selo entre o ponto de ligação na máquina de limpeza a vapor manual (5) e a mangueira de vapor (16) antes de cada utilização. Se o selo avariar ou

estiver danificado, contacte o seu técnico de reparação autorizado mais próximo. Não utilize o equipamento.

Atenção! Deve desligar a unidade antes de inserir a mangueira.

Montar a mangueira

- ◆ Pressione o botão de libertação da mangueira de vapor (16a) na mangueira de vapor (16).
- ◆ Ligue a mangueira de vapor (16) na máquina de limpeza a vapor manual (5) e liberte o botão de libertação da mangueira de vapor (16a), certificando-se de que encaixa no respetivo local.

Importante! Certifique-se de que a mangueira de vapor (16) está fixada correctamente na máquina de limpeza a vapor manual (5). Se houver fuga de vapor pela junta, isso significa que a mangueira foi montada incorrectamente. Desligue, deixe a unidade arrefecer, retire e volte a montar a mangueira.

Fixar acessórios (Fig. H)

- ◆ Alinhe o bocal de vapor (17) com os encaixes do acessório.
- ◆ Pressione o acessório no bocal de vapor (17) e rode-o no sentido contrário ao dos ponteiros do relógio até ouvir um som de encaixe.

Importante! Todos os acessórios, excepto a SteaMitt™ (25), que tem uma mangueira e um conector próprios (26), devem ser montados com a mangueira de vapor (16) para utilização.

Remover a mangueira e os acessórios

Atenção! A mangueira de vapor (16), o bocal de vapor (17) e os acessórios ficam quentes durante a utilização. Deixe a unidade e todos os acessórios arrefecerem antes de removê-los.

Remover acessórios

- ◆ Rode o acessório no sentido dos ponteiros do relógio e, em seguida, retire-o da mangueira (16).

Remover a mangueira

- ◆ Pressione o botão de libertação da mangueira de vapor (16a) na mangueira de vapor (16) e afaste-o da unidade de vapor manual.

SteaMitt™

A BLACK+DECKER™ SteaMitt™ foi concebida para desinfetar e limpar azulejos, superfícies de trabalho, superfícies de cozinha e superfícies de casas de banho. Este equipamento destina-se apenas a utilização doméstica em interiores.

Montar a mangueira SteaMitt™ na unidade de vapor manual

Atenção! Verifique o selo no bocal de vapor e a mangueira antes de cada utilização. Se não tiver selo ou estiver danificado, contacte o seu técnico de reparação autorizado mais próximo. **Não utilize o equipamento.** Inspeccione o selo na SteaMitt™ e na mangueira. Se não tiver um selo, se estiver danificado ou houver fuga de vapor, contacte o seu técnico de reparação autorizado mais próximo. **Não utilize o equipamento.** Certifique-se de que não existe qualquer bloqueio ou obstrução na mangueira SteaMitt™ ou na mangueira de ligação. Se for detectada alguma destas situações, contacte o técnico de reparação autorizado mais próximo. **Não utilize o equipamento.**

Colocar um pano de limpeza na SteaMitt™ (Fig. L)

Atenção! Certifique-se de que não há qualquer bloqueio ou obstrução nas aberturas de libertação de vapor. Se detectar alguma falha, contacte o técnico de reparação autorizado mais próximo. **Não utilize o equipamento.**

- ◆ Insira o pano de limpeza (27) na SteaMitt™ (25) fixando as fitas de velcro de “gancho” (27a) no lado de cima do pano de limpeza nas fitas de velcro do “gancho” (25a) na parte de baixo da SteaMitt™ (4). Pressione para baixo com firmeza.

Atenção! Só deve utilizar a SteaMitt™ depois de inserir um pano de limpeza.

Nota: A SteaMitt™ inclui 4 tipos de panos de limpeza com vários tipos de espessura. O esfregão (para uso em manchas difíceis e superfícies não delicadas), Escova de casa de banho (para uso em escovas e outras superfícies de casa de banho moldadas), Escova padrão (para uso em todas as superfícies maiores) e almofada de polimento (para uso superfícies delicadas).

⚠ **Atenção!** Utilize sempre a SteaMitt™ como indicado na Figura M, com a mão dentro da luva de protecção.

⚠ **Atenção!** Nunca utilize a SteaMitt™ segurando-a por fora, como indicado na Figura N. Pode sofrer queimaduras.

⚠ **Atenção!** Evite utilizar a SteaMitt™ em canto apertados como indicado na Figura H.

⚠ **Atenção!** Se ocorrer um problema durante a utilização, utilize a patilha de libertação rápida para remover rapidamente a SteaMitt™ da sua mão, como indicado na Figura P.

⚠ **Atenção!** Não utilize a SteaMitt™ em vidros frios, por exemplo, em janelas, porque podem ocorrer danos devido à variação súbita de temperatura.

⚠ **Atenção!** Nunca aponte ou direcione a mopa a vapor na sua direcção ou de outra pessoa.

Nota: É recomendável utilizar a SteaMitt na definição 1 para evitar que a almofada fique demasiado húmida.

Utilização

Importante! Esta unidade mata 99,9% das bactérias e dos germes, se for utilizada de acordo com as instruções indicadas neste manual e com os panos de micro fibras colocado e durante 90 segundos sem parar.

Ligar e desligar

- ◆ Para ligar o equipamento, pressione o interruptor LIGAR/DESLIGAR (1). A mopa a vapor demora aproximadamente 15 segundos a aquecer.
- ◆ Para desligar o equipamento, pressione o interruptor LIGAR/DESLIGAR (1).

Nota: coloque sempre a mão dentro da SteaMitt™ antes de pressionar o botão de vapor.

Cuidado! Nunca deixe a mopa a vapor no mesmo ponto de uma superfície durante muito tempo.

Quando não a estiver a utilizar, coloque sempre a mopa a vapor com a pega (8) na posição vertical, certificando-se de que se encontra desligada.

Cuidado! Esvazie sempre a mopa a vapor após a utilização.

Nota! Quando ficar cheia pela primeira vez ou depois de ficar seca, o vapor pode demorar até 45 segundos.

Tecnologia Autoselect™ (Fig. R)

Esta mopa a vapor inclui um botão Autoselect™ (2) que mostra várias aplicações de limpeza. São utilizadas para seleccionar o modo de funcionamento correcto para uma operação de limpeza específica.

Utilizando o Autoselect™, escolha uma das seguintes aplicações, rodando o botão Autoselect™ (2) até que seja seleccionada a definição pretendida.

Regulação	Mopa	Manual
	Madeira/ laminado	Fluxo de vapor reduzido ●
	Mosaicos/ vinil	Fluxo de vapor médio ● ●
	Pedra/ mármore	Fluxo de vapor elevado ● ● ●

A mopa a vapor selecciona o volume de vapor correcto necessário para a operação de limpeza específica.

Nota: Verifique sempre se está a utilizar a definição correcta antes de utilizar a mopa a vapor.

Jacto de vapor (Fig. C1) (apenas disponível nas unidades FSMH1310SM, FSMH13151SM, FSMH1321J, FSMH1321JMD, FSMH1321JSM)

A cabeça para chão (12a) está equipada com um pedal de jacto de vapor para ajudar a remover marcas e manchas persistentes.

- ◆ Durante a utilização, pressione o pedal de jacto de vapor para aplicar um poder de limpeza adicional.
- ◆ Para reverter para a definição normal, pressione o pedal novamente.

Sugestões para uma utilização ótima

Geral

Atenção! Nunca utilize a mopa a vapor sem fixar primeiro um pano de limpeza.

- ◆ aspire ou limpe sempre o chão antes de utilizar a mopa a vapor.
- ◆ A forma mais fácil de utilizar o equipamento é inclinar a pega a um ângulo de 45° e limpá-la lentamente, cobrindo uma pequena área de cada vez.
- ◆ Utilize apenas água sem aditivos ou produtos químicos na mopa a vapor. Para remover manchas persistentes em chão de vinil ou linóleo, pode efectuar um tratamento prévio com um detergente suave e um pouco de água antes de utilizar a mopa a vapor.

Limpeza a vapor com a mopa

- ◆ Encaixe a máquina de limpeza a vapor manual (5) no corpo da mopa a vapor (11)
- ◆ Coloque um pano de limpeza (13) no chão com o lado de "gancho" com velcro para cima.
- ◆ Pressione ligeiramente a mopa a vapor para baixo sobre o pano de limpeza (13).
- ◆ Ligue a mopa a vapor à corrente eléctrica.
- ◆ Pressione o botão LIGAR/DESLIGAR (1). A mopa a vapor demora aproximadamente 15 segundos a aquecer.
- ◆ Rode o botão Autoselect™ (2) até ser atingida a definição necessária. Após alguns segundos, começa a sair vapor da cabeça de vapor.

Nota! Quando ficar cheia pela primeira vez ou depois de ficar seca, o vapor pode demorar até 45 segundos.

- ◆ O vapor demora alguns segundos a entrar no pano de limpeza. A mopa a vapor deslizará agora facilmente sobre a superfície a desinfectar/limpar.
- ◆ Empurre e puxe lentamente a mopa a vapor ao longo da superfície para limpar profundamente todas as secções do chão.
- ◆ Quando terminar a limpeza com a mopa a vapor, volte a colocar a pega (8) na posição vertical, certificando-se de que fica apoiada e coloque-a na posição Desligado. Deixe a mopa a vapor arrefecer antes de guardá-la (cerca de cinco minutos).

Cuidado! É importante monitorizar o nível de água no reservatório. Para atestar o reservatório de água e continuar a desinfecção/limpeza, volte a colocar a pega na posição

vertical, certificando-se de que a pega fica apoiada e DESLIGUE a mopa a vapor. Desligue a unidade da tomada eléctrica e ateste o reservatório de água.

Cuidado! Nunca deixe a mopa a vapor no mesmo ponto de uma superfície durante muito tempo. Quando não a estiver a utilizar, coloque sempre a mopa a vapor com a pega (8) na posição vertical, certificando-se de que se encontra desligada.

Limpeza de alcatifas

- ◆ Coloque um pano de limpeza (13) no chão com o lado de "gancho" para cima.
- ◆ Pressione ligeiramente a mopa a vapor para baixo sobre o pano de limpeza.
- ◆ Coloque o acessório para alcatifas (12b) no chão.
- ◆ Pressione ligeiramente a mopa a vapor para baixo sobre o acessório para alcatifas até ouvir um clique de encaixe.
- ◆ Ligue a mopa a vapor à corrente eléctrica.
- ◆ Pressione o botão LIGAR/DESLIGAR (1). A mopa a vapor demora aproximadamente 15 segundos a aquecer.
- ◆ Rode o botão Autoselect™ (2) para a definição Madeira/laminado.
- ◆ Empurre e puxe lentamente a mopa a vapor ao longo da alcatifa para limpar todas as secções em profundidade.
- ◆ Quando terminar a limpeza com a mopa a vapor, volte a colocar a pega (8) na posição vertical e desligue a unidade. Deixe a mopa a vapor arrefecer antes de guardá-la (cerca de cinco minutos).

Após a utilização

- ◆ Rode o botão Autoselect™ (2) para a posição Desligado.
- ◆ Deixe a mopa a vapor arrefecer.
- ◆ Desligue a mopa a vapor da tomada eléctrica.
- ◆ Esvazie o reservatório de água.
- ◆ Retire o pano de limpeza (13) e lave-o para a próxima utilização (deve ler as instruções de cuidados de lavagem impressas no pano de limpeza).
- ◆ Enrole o cabo de alimentação à volta dos ganchos de arrumação (7 e 9).
- ◆ Em alternativa, é disponibilizado um suporte para pendurar (15) incorporado no punho (6) que permite pendurar a mopa a vapor num gancho adequado na parede. Certifique-se sempre de que o gancho na parede suporta com segurança o peso da mopa a vapor.

Limpeza a vapor manual

Atenção! ! Mantenha a unidade na horizontal durante a utilização.

- ◆ Fixe o acessório necessário.
- ◆ Ligue a máquina de limpeza a vapor manual à corrente eléctrica.
- ◆ Pressione o botão LIGAR/DESLIGAR (1). A mopa a vapor demora aproximadamente 15 segundos a aquecer.

- ◆ Rode o botão Autoselect™ (2) até ser atingida a definição necessária. Após alguns segundos, começa a sair vapor da cabeça de vapor.

Nota! Quando ficar cheia pela primeira vez ou depois de ficar seca, o vapor pode demorar até 45 segundos.

- ◆ Quando terminar a limpeza com a máquina de limpeza a vapor, coloque o botão Autoselect™ (2) na posição Desligado. Pressione o botão LIGAR/DESLIGAR (1) para desligar a unidade e depois retire a ficha da fonte de alimentação. Aguarde até a unidade arrefecer antes de armazená-la (cerca de cinco minutos).

Acessórios

O desempenho do equipamento depende dos acessórios utilizados. Os acessórios BLACK+DECKER são concebidos segundo normas de elevada qualidade e desenvolvidos de modo a melhorar o desempenho do seu equipamento. Utilizando estes acessórios, tirará o melhor partido do seu equipamento.

Dados técnicos

FSMH1321		
Tensão	V _{ca}	230
Potência	W	1300
Capacidade do reservatório	ml	500
Peso	kg	2,7

FSMH1351SM		
Tensão	V _{ca}	230
Potência	W	1300
Capacidade do reservatório	ml	500
Peso	kg	2,7

FSMH13101SM		
Tensão	V _{ca}	230
Potência	W	1300
Capacidade do reservatório	ml	500
Peso	kg	2,8

FSMH13151SM		
Tensão	V _{ca}	230
Potência	W	1300
Capacidade do reservatório	ml	500
Peso	kg	2,8

FSMH1321J		
Tensão	V _{ca}	230
Potência	W	1300
Capacidade do reservatório	ml	500
Peso	kg	2,7

FSMH1321JSM		
Tensão	V _{ca}	230
Potência	W	1300
Capacidade do reservatório	ml	500
Peso	kg	2,8

FSMH1321JMD		
Tensão	V _{ca}	230
Potência	W	1300
Capacidade do reservatório	ml	500
Peso	kg	2,8

Resolução de problemas

Se achar que o equipamento não está a funcionar correctamente, respeite as instruções apresentadas em seguida. Se não conseguir resolver o problema, contacte o técnico local de reparação BLACK+DECKER.

Problema	Passo	Possível solução
A mopa a vapor não liga	1.	Verifique se a unidade está ligada à tomada de parede.
	2.	Verifique se a unidade está ligada, utilizando o interruptor LIGAR/DESLIGAR (1)
	3.	Verifique o fusível na ficha.
A mopa a vapor não produz vapor	4.	A mopa a vapor só irá produzir vapor se a máquina de limpeza a vapor manual (5) estiver inserida correctamente no corpo principal (11) ou a mangueira de vapor estiver instalada ou se o botão Autoselect™ estiver na posição Ligado
	5.	Verifique se o reservatório de água está cheio. Nota: Quando ficar cheio pela primeira vez ou depois de ficar seco, o vapor pode demorar até 45 segundos a ser produzido.
	6.	Verifique o passo 1 e depois o 2 e o 3.
A mopa a vapor pára de produzir vapor durante a utilização	7.	Verifique o passo 4 e depois o 5 e o 3.
A mopa a vapor produz demasiado vapor durante a utilização	8.	Rode o botão Autoselect™ (2) no sentido contrário ao dos ponteiros do relógio para reduzir a quantidade de vapor produzida
A mopa a vapor produz pouco vapor durante a utilização	9.	Rode o botão Autoselect™ (2) no sentido dos ponteiros do relógio para aumentar a quantidade de vapor produzida
A máquina de limpeza a vapor manual não produz vapor	10.	Verifique se o botão Autoselect™ (2) está na posição Ligado
	11.	Verifique o passo 5 e depois o 1, o 2 e o 3
A máquina de limpeza a vapor manual produz muito pouco vapor durante a utilização	12.	Rode o botão Autoselect™ (2) no sentido dos ponteiros do relógio para aumentar a quantidade de vapor produzida
	13.	Verifique o passo 5
A máquina de limpeza a vapor manual produz pouco vapor durante a utilização	14.	Rode o botão Autoselect™ (2) no sentido contrário ao dos ponteiros do relógio para reduzir a quantidade de vapor produzida
Os acessórios impedem a queda da unidade	15.	Consulte o capítulo sobre montagem para saber quais são as instruções de instalação correcta de todas as peças e acessórios.
Há saída de vapor de pontos inesperados da unidade	16.	Consulte o capítulo sobre montagem para saber quais são as instruções de instalação correcta de todas as peças e acessórios.
Onde posso obter mais informações/acessórios	17.	www.blackanddecker.co.uk/steammap www.blackanddecker.ie/steammap

Manutenção e limpeza

O seu equipamento BLACK+DECKER com fio foi concebido para funcionar por um longo período de tempo com uma manutenção mínima. Uma utilização continuamente satisfatória depende de uma manutenção apropriada e de uma limpeza regular da ferramenta.

Atenção! Antes de executar qualquer operação de manutenção ou limpeza num equipamento com fio, desligue-o e retire a ficha da tomada.

- ◆ Limpe o equipamento com um pano suave humedecido.
- ◆ Para as manchas mais persistentes, pode utilizar uma solução suave de sabão e água para humedecer o pano.

Manutenção dos panos de limpeza

Instruções de lavagem - Sem condicionadores para têxteis - Deixe secar completamente antes de voltar a utilizar.

Cuidado! Siga as instruções de limpeza impressas na etiqueta do pano de limpeza.

Substituição da ficha de alimentação (apenas Reino Unido e Irlanda)

Se for necessário instalar uma nova ficha de alimentação:

- ◆ Elimine com segurança a ficha antiga.
- ◆ Ligue o cabo castanho ao terminal activo na nova ficha.
- ◆ Ligue o cabo azul ao terminal neutro.
- ◆ Ligue o cabo verde/amarelo ao terminal terra.

Atenção! Siga as instruções de instalação fornecidas com fichas de boa qualidade. Fusível recomendado: 13A.

Protecção do ambiente



Faça uma recolha de lixo seletiva. Os produtos e baterias assinalados com este símbolo não devem ser eliminados em conjunto com resíduos domésticos normais.

Os produtos e as pilhas contêm materiais que podem ser recuperados ou reciclados, reduzindo assim a necessidade de matérias-primas.

Recicle os produtos eléctricos e as pilhas de acordo com as disposições locais. Estão disponíveis mais informações em www.2helpU.com

Garantia

A Black & Decker confia na qualidade dos seus produtos e oferece aos clientes uma garantia de 24 meses a partir da data de compra. Esta garantia é um complemento dos seus direitos estabelecidos por lei, não os prejudicando de forma alguma. A garantia é válida nos Estados-membros da União Europeia e nos países-membros da Zona Europeia de Comércio Livre.

Para acionar a garantia, esta deve estar em conformidade com os termos e condições da Black&Decker e terá de apresentar o comprovativo de compra ao vendedor ou a um técnico de reparação autorizado. Os termos e condições

da garantia de 2 anos da Black&Decker e a localização do técnico de reparação autorizado mais próximo pode ser obtido na Internet em www.2helpU.com ou contactando uma filial da Black & Decker, cuja morada está indicada neste manual.

Visite o nosso website www.blackanddecker.co.uk para registar o seu novo produto Black & Decker e receber actualizações sobre novos produtos e ofertas especiais.

(Översättning av originalanvisningarna)

SVENSKA

Avsedd användning

Din BLACK+DECKER™ FSMH1321, FSMH1351SM, FSMH13101SM, FSMH13151SM, FSMH1321J, FSMH1321JSM, FSMH1321JMD ångmopp är konstruerad för sanering och rengöring av golv av förseglat hårdträ, förseglat laminat, linoleum, vinyl, kakel, sten och marmor. Denna apparat är endast avsett för inomhusbruk i hemmet.

Säkerhetsinstruktioner



Varning! Läs alla säkerhetsvarningar och alla instruktioner. Fel som uppstår till följd av att varningarna och instruktionerna som listas nedan inte följts kan orsaka elstöt, brand och/eller allvarliga kroppsskador.



Varning! Vid användning av nätdrivna apparater ska allmänna säkerhetsåtgärder, inklusive följande, alltid vidtas. Detta för att förhindra brand, elstöt, person- och materialskador.

- ◆ Avsedd användning beskrivs i den här bruksanvisningen.

Använd inte apparaten med andra tillbehör eller tillsatser än de som rekommenderas i den här bruksanvisningen eftersom detta kan leda till personskador.

- ◆ Spara den här bruksanvisningen för framtida bruk.

Använda apparaten

- ◆ Rikta inte ångan direkt mot andra människor, djur, elektriska apparater eller eluttag.
- ◆ Utsätt den inte för regn.
- ◆ Doppa aldrig ned apparaten i vatten.
- ◆ Lämna aldrig apparaten oövervakad.
- ◆ Lämna aldrig apparaten ansluten till ett eluttag när den inte används.
- ◆ Dra aldrig i nätsladden när du kopplar bort apparaten från eluttaget. Håll apparatens sladd borta från värme, olja och vassa kanter.
- ◆ Hantera inte ångrengöraren med våta händer.
- ◆ Dra inte eller bär apparaten i sladden. Använd inte sladden som handtag, kläm inte sladden i en dörr, dra inte sladden runt skarpa hörn och utsätt aldrig sladden för varma ytor.
- ◆ Använd inte apparaten i ett slutet utrymme fyllt med ångor från oljebaserat lackthinner, vissa malmedel, lättantändligt damm eller andra explosiva eller giftiga ångor.
- ◆ Kontrollera golvtypen med tillverkaren.
- ◆ Använd inte på läder, vaxpolerade möbler eller golv, syntettyger, sammet eller andra ömtåliga eller ångkänsliga material.



Varning! Använd inte på oförseglade trägolv eller oförseglade laminatgolv. På ytor som har behandlats med vax eller vissa vaxfria golv, kan glansen försvinna av värmen och ångan. Det rekommenderas alltid att du testar att rengöra en begränsad yta innan du fortsätter. Vi rekommenderar också att du kontrollerar användnings- och skötselinstruktionerna från golv tillverkaren.

- ◆ Lägg aldrig i avkalkningsmedel, aromatiska ämnen, alkoholhaltiga vätskor eller rengöringsmedel i ångrengöraren eftersom det kan skada den eller göra den osäker att använda.
- ◆ Om jordfelsbrytaren utlöses när du använder ångfunktionen avbryter du genast användningen och kontakter kundsupportcentret. (Var aktsam – risk för stötar.)
- ◆ Apparaten avger väldigt het ånga som sanerar arbetsytan. Det betyder att ånghuvudet, rengöringsdynorna och mattillsatsen blir väldigt varma under användning.

Försiktighet! Använd alltid lämpliga skor när du använder ångmoppen och när du byter tillbehör på den. Använd inte tofflor eller öppna skor.

- ◆ Locket kan bli varmt under användning.
- ◆ Ånga kan strömma ut från apparaten under användning. Försiktighet ska iakttas vid användning av apparaten. **VIDRÖR INTE** några delar som blir varma under användning.

- ◆ Stäng av apparaten och sätt tillbaka handtaget i stående läge innan du tar bort locket på vattenbehållaren.
- ◆ Om det kommer ånga ur den handhållna ångrengöraren stänger du av den, kopplar bort den från elnätet och låter den svalna. Kontakta din närmaste auktoriserade verkstad. Använd inte apparaten under dessa förhållanden.

Efter användning

- ◆ Koppla bort apparaten och låt den svalna innan rengöring.
- ◆ När apparaten inte används ska den förvaras på en torr plats.
- ◆ Placera apparaten på ett ställe där barn inte kan komma åt den.

Kontroll och reparationer

- ◆ Koppla bort apparaten och låt den svalna innan du utför något underhåll eller reparationer på den.
- ◆ Kontrollera att apparaten inte är skadad eller har defekta delar. Kontrollera att inga delar är trasiga, att strömbrytaren fungerar och att inget annat föreligger som kan påverka dess funktion.
- ◆ Kontrollera regelbundet att nätsladden inte har skadats.
- ◆ Använd inte apparaten om någon del har skadats eller gått sönder.
- ◆ Reparera eller byt ut skadade eller trasiga delar på en auktoriserad verkstad.
- ◆ Försök aldrig avlägsna eller byta ut andra delar än de som anges i den här bruksanvisningen.

Säkerhet för andra

- ◆ Apparaten kan användas av barn från åtta år och personer med nedsatt fysisk eller psykisk förmåga eller bristande erfarenhet eller kunskap, om de övervakas och får instruktioner om användningen av apparaten och är medvetna om riskerna. Barn ska inte leka med apparaten. Rengöring och användarunderhåll ska inte utföras av barn utan övervakning.
- ◆ Barn bör övervakas för att garantera att de inte leker med apparaten.

Återstående risker

Ytterligare risker som inte finns med i de bifogade säkerhetsanvisningarna kan uppstå när verktyget används. Dessa risker kan uppstå vid felaktig eller långvarig användning, etc. Även om alla relevanta säkerhetsanvisningar följs och säkerhetsanordningar används kan vissa ytterligare risker inte undvikas. Dessa omfattar:

- ◆ Skador orsakade av att rörliga delar vidrörs.
- ◆ Skador orsakade av att varma delar vidrörs.
- ◆ Skador som uppstår vid byte av delar eller tillbehör.
- ◆ Skador som orsakas av långvarig användning av apparaten. Se till att ta regelbundna pauser när du använder en apparat under en längre period.

Elsäkerhet



Varning! Produkten måste skyddsjordas. Kontrollera alltid så att spänningen på nätet motsvarar den spänning som finns angiven på märkplåten.

Verktygets stickpropp måste passa till vägguttaget. Modifiera aldrig kontakten på något sätt. Icke modifierade kontakter och passande uttag minskar risken för elektrisk stöt.

- Om nätsladden är skadad måste den bytas ut av tillverkaren eller en auktoriserad BLACK+DECKER-verkstad för att undvika farliga situationer.

Förlängningskablar och klass 1-produkt

- Eftersom apparaten är skyddsjordad och konstruerad enligt klass 1 måste en tretrådig kabel användas.
- Kabeln kan vara upp till 30 m lång utan att effekten försämras.

Etiketter på apparaten

Följande symboler tillsammans med datumkoden är synliga på apparaten.



FÖRSIKTIGHET Het Ånga. Risk för skållning.



Vatten droppar vid användning upp och ned



Ånga tränger ut på alla sidor



Lämna inte apparaten utan tillsyn tillsammans med unga barn



Tvätta på 60 °C. Använd inte blekmedel eller sköljmedel



Försiktighet! Het yta

Funktioner

Denna apparat har några eller samtliga av följande funktioner.

1. Strömbrytare
2. Autoselect™-ratt
3. Handhållet ångenhetshandtag
4. Påfyllningslock
5. Handhållen ångenet
6. Handtag
7. Övre kabelhållarkrok
8. Huvudhandtag
9. Kabelhållarens nedre krok
10. Låsknapp för handhållen ångenet
11. Huvudstomme
12. Golvrengöringsmunstycke
- 12a. Ångdusch för golvrengöringsmunstycke
- 12b. Mattglidskena (för användning på mattor)
13. Golvrengöringsdyna
14. Låsfläk för golvrengöringsdyna
15. Upphångningskrok
16. Ångslang
17. Ångmunstycke
18. Vinkelborsttillbehör (för användning på svärborttagna fläckar)
- 18a. Vinkelborste grill (stålborste)
19. Borsttillbehör (för användning på kaker/betong)
20. Raketillbehör (för användning på duschkärlmar/glas/speglar/kläder/möbelyg)
- 20a. Raketstrumpa
21. Stort raketillbehör (för användning på duschkärlmar/glas/speglar/kläder/möbelyg)
- 21a. Stor raketstrumpa
22. Ångduschborstenhet
- 22a. Ångduschtrådborste (för användning på grillar/ugnar)
- 22b. Ångduschborste (för användning på grillar/ugnar/ugnskåpor/kranar/betong)
- 22c. Bred ångduschborste (för användning på större arbetsytor)
23. Delta-munstycke (för användning på kläder/möbelyg/större arbetsytor)

- 23a. Rengöringsdyna för plana ytor
- 23b. Munstycke för ångbehandling av kläder (för användning på kläder/möbelyg)
- 23c. Borste för ångbehandling av kläder (för användning på kläder/möbelyg)
- 23d. Ångbehandlingsdyna för kläder (för användning på kläder/möbelyg)
- 23e. Deltamunstycke matglidskenan
- 25. SteaMitt™
- 26. SteaMitt™-slang
- 27. SteaMitt™-rengöringsdyna
- 27a. SteaMitt™-rengöringsdyna 2
- 27b. SteaMitt™-rengöringsdyna 3
- 28. Justerbart munstycke

Konfiguration

	F S M H 1 3 2 1	F S M H 1 3 5 1 S M	F S M H 1 3 1 0 1 S M	F S M H 1 3 1 5 1 S M	F S M H 1 3 2 1 J	F S M H 1 3 2 1 J S M	F S M H 1 3 2 1 J M D	Rekommenderade ånginställningar
12	✓	✓	✓	✓	✓	✓	✓	All
12a			✓	✓	✓	✓	✓	All
12b				✓	✓	✓	✓	All
13	✓	✓	✓	✓	✓	✓	✓	All
16	✓	✓	✓	✓	✓	✓	✓	All
18	✓	✓		✓	✓	✓		All
18a					✓	✓		All
19	✓	✓			✓	✓		All
20	✓	✓	✓	✓				.
20a	✓	✓	✓	✓				.
21					✓	✓	✓	.
21a					✓	✓	✓	.
22			✓	✓			✓	All
22a			✓	✓			✓	All
22b			✓	✓			✓	All
22c			✓	✓			✓	All
23							✓	All
23a							✓	All
23b							✓	.
23c							✓	.
23d							✓	.
23e							✓	.
25		✓	✓	✓		✓	✓	.
26		✓	✓	✓		✓	✓	.
27		✓	✓	✓		✓	✓	.
27a						✓	✓	.
27b						✓	✓	.
28				✓	✓	✓	✓	All

Montering



Varning! Innan du verkställer någon av nedanstående instruktioner ska du kontrollera att apparaten är avstängd, att sladden inte sitter i och att den har svalnat och inte innehåller vatten.

Montera handtaget (bild A)

- ◆ Skjut in den nedre delen av handtaget (8) i den övre delen av ångmoppen (11) tills det klickar på plats.

Montera den handhållna ångrengöraren (bild B)

- ◆ Medan du håller i bakre delen av ångmoppen (11), tryck in den handhållna ångrengöraren (5) ordentligt i ångmoppen (11) och se till att den sitter korrekt över mellanstycket (11a) och klickar in säkert på plats.

Ta bort den handhållna ångrengöraren (bild B)

- ◆ Tryck på låsknappen (10) på huvudstommen (11) och lyft av den handhållna ångrengöraren (5) från mellanstycket (11a) och bort från huvudstommen (11).

Montera en rengöringsdyna (bild C)

Rengöringsdynor finns att köpa hos din BLACK+DECKER-återförsäljare (katalognr. FSMP20-XJ).

- ◆ Placera en rengöringsdyna (13) på golvet med kardborresidan' uppåt.
- ◆ Tryck försiktigt ned ångmoppen på rengöringsdynan (13).

Notera: Denna enhet kan levereras med standardmunstycke för golvrengöring (12) eller ett munstycke med ångdusch (12a). Oavsett vilket ska du följa dessa anvisningar för att montera en rengöringsdyna.

Försiktighet! Lämna aldrig ångmoppen på samma plats på ytan under längre tid. Förvara alltid ångmoppen så att handtaget (8) får stöd och befinner sig i upprätt läge och se till att ångmoppen är avstängd när den inte används.

Ta bort en rengöringsdyna

Försiktighet! Använd alltid lämpliga skor när du byter rengöringsdyna på ångmoppen.

Använd inte tofflor eller öppna skor.

- ◆ Sätt tillbaka handtaget (8) i stående läge och stäng AV ångmoppen.
- ◆ Vänta tills ångmoppen svalnat (ungefär 5 minuter).
- ◆ Lyft bort ångmoppen från rengöringsdynan genom att frigöra den från kardborrefästet.

Försiktighet! Lämna aldrig ångmoppen på samma plats på ytan under längre tid.

Förvara alltid ångmoppen så att handtaget (8) får stöd och befinner sig i upprätt läge och se till att ångmoppen är avstängd när den inte används.

Fylla vattentanken (bild Q)

Notera! Fyll vattentanken med rent kranvatten (använd inga tillsatser eller kemikalier).

Notera! I områden med hårt vatten rekommenderas det att du använder avjoniserat vatten.

- ◆ Öppna påfyllningslocket (4) genom att fälla upp det.
- ◆ Fyll vattentanken med vatten (använd inga tillsatser eller kemikalier).

Varning! Koppla bort enheten från elnätet och ha den i vägrätt läge vid påfyllningen.

Varning! Vattenbehållaren rymmer 0.5 liter. Fyll inte på för mycket vatten i vattenbehållaren.

- ◆ Stäng påfyllningslocket (4).

Notera! Kontrollera att påfyllningslocket sitter fast ordentligt.

Montera mattglidskenan (12b) (enbart för användning på mattor)

- ◆ Placera mattglidskenan (12b) på golvet.
- ◆ Montera en rengöringsdyna på golvrengöringsmunstycket (12)
- ◆ Tryck ned ångmoppen lätt på mattglidskenan (12b) tills den klickar in på plats.

Försiktighet! Lämna aldrig ångmoppen på samma plats på ytan under längre tid. Förvara alltid ångmoppen så att handtaget (8) får stöd och befinner sig i upprätt läge och se till att ångmoppen är avstängd när den inte används.

Ta bort mattglidskenan

Försiktighet! Använd alltid lämpliga skor när du byter mattglidskena på ångmoppen. Använd inte tofflor eller öppna skor.

- ◆ Sätt tillbaka handtaget (8) i stående läge och stäng AV ångmoppen.
- ◆ Vänta tills ångmoppen svalnat (ungefär 5 minuter).
- ◆ Placera framdelen på din sko på mattglidskenans borttagningsflik och trampa ned ordentligt.
- ◆ Lyft ångmoppen uppåt och bort från mattglidskenan.

Försiktighet! Lämna aldrig ångmoppen på samma plats på ytan under längre tid. Förvara alltid ångmoppen så att handtaget (8) får stöd och befinner sig i upprätt läge och se till att ångmoppen är avstängd när den inte används.

Montera slang och tillbehör på den handhållna ångregöraren (bild G - O)

Varning! Kontrollera packningen mellan anslutningsstället på den handhållna ångregöraren (5) och ångslangen (16) före varje användning. Om packningen inte fungerar som den ska eller är skadad, ska du kontakta närmaste auktoriserade verkstad. Använd inte apparaten.

Varning! Enheten skall stängas av innan slangen monteras.

Montering av slangen

- ◆ Tryck på ångslangens låsknapp (16a) på ångslangen (16).
- ◆ Anslut ångslangen (16) till den handhållna ångregöraren (5) och släpp upp ångslangens låsknapp (16a) samt se till att den klickar in på plats.

Viktigt! Kontrollera att slangen (16) är korrekt ansluten till den handhållna ångregöraren (5). Om ånga tränger ut ur anslutningen är slangen inte korrekt monterad. Stäng av, låt enheten svalna och ta sedan bort och montera tillbaka slangen.

Montera tillbehör (bild H)

- ◆ Passa in klackarna på ångmunstycket (17) mot urspårningarna på tillbehöret.
- ◆ Tryck tillbehöret mot ångmunstycket (17) och vrid moturs tills tillbehöret klickar in på plats.

Viktigt! Alla tillbehör förutom SteaMitt™ (25), som har egen slang och kontaktdon (26), måste monteras på ångslangen (16) för användning.

Ta bort slang och tillbehör

Varning! Ångslangen (16), ångmunstycket (17) och tillbehören blir heta under användning. Låt enheten och samtliga tillbehör svalna innan du försöker ta bort någonting.

Ta bort ett tillbehör

- ◆ Vrid tillbehöret medurs och dra sedan bort det från slangen (16).

Ta bort slangen

- ◆ Tryck på ångslangens låsknapp (16a) på ångslangen (16) och dra bort den från den handhållna ångheten.

SteaMitt™

Din BLACK+DECKER™ SteaMitt™ har konstruerats för sanering och rengöring av kakelplattor, arbetsbänkar, köksytor och badrumsytor. Denna apparat är endast avsett för inomhusbruk i hemmet.

Montera SteaMitt™-slangen på den handhållna ångheten

Varning! Kontrollera packningen på ångmunstycket och slangen före varje användning. Om packningen saknas eller är skadad, ska du kontakta närmaste auktoriserade verkstad. **Använd inte apparaten.** Kontrollera packningen på SteaMitt™ och slangen. Om packningen saknas, är skadad eller om ånga kommer ut kontakta då din närmaste reparatör. **Använd inte apparaten.** Se till att inget blockerar eller hindrar i SteaMitt™ slangen eller anslutningsslangen. Om något upptäcks ska du kontakta närmaste auktoriserade verkstad. **Använd inte apparaten.**

Montera en rengöringsdyna på SteaMitt™ (bild L)

Varning! Se till att inget blockerar eller hindrar ångutmatningsventilerna. Om något upptäcks kontakta då din närmaste auktoriserade reparatör. **Använd inte apparaten.**

- ◆ Montera rengöringsdynan (27) på SteaMitt™ (25) genom att fästa 'öglan' av kardborreband (27a) på ovansidan av rengöringsdynan på 'kroken' av kardborredynor (25a) på undersidan av SteaMitt™ (4). Tryck ned hårt.

Varning! SteaMitt™ ska inte användas utan monterad rengöringsdyna.

Notera: SteaMitt™ har plats för 4 typer av rengöringsdynor av olika tjocklekar. Skurdynor (för användning på tuffa fläckar och icke-ömtåliga ytor), badrumsdynor (för användning på kranar och andra gjutna badrumsytor), standarddynor (för användning på alla stora ytor) och poleringsdynor (för användning på ömtåliga ytor).

⚠ **Varning!** Använd alltid SteaMitt™ såsom visas i bild M, med handen i skyddshandsken.

⚠ **Varning!** Försök aldrig använda SteaMitt™ genom att

⚠ fatta tag i den utvändigt såsom visas i figur N. Detta leder till skällning.

⚠ **Varning!** Undvik att använda SteaMitt™ i tränga hörn såsom visas i figur O.

⚠ **Varning!** Skulle du stöta på problem under användningen, använd då snabblossningsfliken för att snabbt avlägsna SteaMitt™ från din hand såsom visas i bild P.

⚠ **Varning!** Använd inte SteaMitt™ på kallt glas typ fönster, eftersom skador kan uppstå genom den plötsliga temperaturförändringen.

⚠ **Varning!** Vänd eller rikta aldrig moppen mot dig själv eller någon annan person.

Notera: Det rekommenderas att använda SteamMitt med inställningen 1 för att undvika att dynan blir alltför våt.

Användning

Viktigt! Den här apparaten dödar 99.9% av alla bakterier och baciller om den används enligt anvisningarna i den här manualen, har mikrofiberdynorna monterade och körs kontinuerligt i 90 sekunder.

Slå på och stänga av

- ◆ Starta apparaten genom att trycka in strömbrytaren TILL/FRÅN (1). Det tar cirka 15 sekunder för ångmoppen att värmas upp.
- ◆ Stäng av apparaten genom att trycka in strömbrytaren TILL/FRÅN (1).

Notera: ha alltid din hand inuti SteaMitt™ innan du trycker på ångknappen.

Försiktighet! Lämna aldrig ångmoppen på samma plats på ytan under längre tid.

Förvara alltid ångmoppen så att handtaget (8) får stöd och befinner sig i upprätt läge och se till att ångmoppen är avstängd när den inte används.




Försiktighet! Töm alltid ångmoppen efter användningen.

Notera! När du fyller på vatten för första gången eller efter det att vattnet har tagit slut kan det ta upp till 45 sekunder innan ånga bildas.

Autoselect™-teknik (bild R)

Den här ångmoppen har en Autoselect™-ratt (2) som visar olika rengöringstillämpningar. De används för att välja rätt arbetssätt anpassat efter vad som ska rengöras.

Med Autoselect™ väljer du en av följande tillämpningar, genom att vrida på Autoselect™-ratten (2) tills önskad inställning har valts.

Inställning	Mopp	Handhållen
	Trä/laminat	Lågt ångflöde ●
	Kakel/vinyl	Medium ångflöde ● ●
	Sten/marmor	Högt ångflöde ● ● ●

Ångmoppen väljer rätt ångmängd anpassat efter vad som ska rengöras.

Notera: Kontrollera alltid att du använder rätt inställning innan du använder ångmoppen.

Ångdusch (bild C1) (kan enbart erhållas med enheterna FSMH1310SM, FSMH13151SM, FSMH1321J, FSMH1321JMD, FSMH1321JSM)

Golvmunstycket (12a) har en ångduschpedal till hjälp vid borttagning av envisa märken och fläckar.

- ◆ Under användning trampar du på ångduschpedalen för extra rengöringskraft.
- ◆ Trampa på pedalen igen för att återgå till normalinställningen.

Tips för optimal användning**Allmänt**

Se upp: Använd aldrig ångmoppen utan att först montera en rengöringsdyna.

- ◆ Dammsug eller sopa alltid golvet innan du använder ångmoppen.
- ◆ Det enklaste sättet att använda apparaten är att luta handtaget 45° och sedan långsamt rengöra en liten yta åt gången.

- ◆ Använd enbart vatten utan tillsatser eller kemikalier till din ångmopp. Om du ska ta bort besvärliga fläckar från vinyl- eller linoleumgolvet kan du förbehandla med ett mildt rengöringsmedel innan du använder ångmoppen.

Ångrengöring med moppen

- ◆ Fäst den handhållna ångrengöraren (5) på ångmoppen (11)
- ◆ Placera en rengöringsdyna (13) på golvet med kardborresidan uppåt.
- ◆ Tryck försiktigt ned ångmoppen på rengöringsdynan (13).
- ◆ Anslut ångmoppen till elnätet.
- ◆ Tryck på strömbrytaren (1). Det tar cirka 15 sekunder för ångmoppen att värmas upp.
- ◆ Vrid på Autoselect™ ratten (2) tills önskad inställning har uppnåtts. Efter några sekunder börjar ånga strömma ut ur ånghuvudet.

Notera! När du fyller på vatten för första gången eller efter det att vattnet har tagit slut kan det ta upp till 45 sekunder innan ånga bildas.

- ◆ Det tar några sekunder för ångan att komma in i rengöringsdynan. Ångmoppen glider nu lätt över ytan som ska saneras/rengöras.
- ◆ Skjut och dra ångmoppen långsamt över golvet för en grundlig ångrengöring av varje sektion.
- ◆ När du har använt ångmoppen färdigt, ställ tillbaka handtaget (8) i upprätt läge, se till att det har stöd och stäng "Av" ångmoppen. Vänta tills ångmoppen har svalnat (ca. fem minuter).

Försiktighet! Det är viktigt att kontrollera vattennivån i vattenbehållaren. Om du vill fylla på vattenbehållaren och fortsätta saneringen/rengöringen ställer du tillbaka handtaget i vertikalt läge, se till att det har stöd och stänger "Av" ångmoppen. Koppla bort enheten från eluttaget och fyll på vattenbehållaren.

Försiktighet! Lämna aldrig ångmoppen på samma plats på ytan under längre tid. Förvara alltid ångmoppen så att handtaget (8) får stöd och befinner sig i upprätt läge och se till att ångmoppen är avstängd när den inte används.

Uppfräschning av matta

- ◆ Placera en rengöringsdyna (13) på golvet med kardborresidan uppåt.
- ◆ tryck försiktigt ned ångmoppen på rengöringsdynan .
- ◆ Placera mattglidskenan (12b) på golvet.
- ◆ Tryck försiktigt ned ångmoppen på mattglidskenan tills den klickar på plats.
- ◆ Anslut ångmoppen till elnätet.
- ◆ Tryck på strömbrytaren (1). Det tar cirka 15 sekunder för ångmoppen att värmas upp.
- ◆ Vrid Autoselect™-ratten (2) till trä/laminat-läget.
- ◆ Skjut och dra ångmoppen försiktigt över mattan för en grundlig uppfrysning av varje avsnitt.

- ◆ När du har använt ångmoppen färdigt, ställ tillbaka handtaget (8) i upprätt läge och stäng "Av" ångmoppen. Vänta tills ångmoppen har svalnat (ca. fem minuter).

Efter användning

- ◆ Vrid Autoselect™ ratten (2) till positionen FRÅN.
- ◆ Vänta tills ångmoppen har svalnat.
- ◆ Koppla bort ångmoppen från eluttaget.
- ◆ Töm vattentanken.
- ◆ ta bort rengöringsdynan (13) och tvätta den så den är klar för nästa användning (var noga med att följa de på rengöringsdynan tryckta tvättråden).
- ◆ Vira upp nätkabeln runt krokarna på apparaten (7 och 9).
- ◆ Det finns en upphängningskrok (15) inbyggd i handtaget (6) som gör det möjligt att hänga upp ångmoppen på lämplig krok på väggen. Kontrollera alltid att kroken klarar ångmoppens tyngd.

Handhållen ångrengöring

Varning! ! Håll enheten i horisontell position under användning.

- ◆ Fäst önskat tillbehör.
- ◆ Anslut den handhållna ångrengöraren till elnätet.
- ◆ Tryck på strömbrytaren (1). Det tar cirka 15 sekunder för ångmoppen att värmas upp.
- ◆ Vrid på Autoselect™ ratten (2) tills önskad inställning har uppnåtts. Efter några sekunder börjar ånga strömma ut ur ånghuvudet.

Notera! När du fyller på vatten för första gången eller efter det att vattnet har tagit slut kan det ta upp till 45 sekunder innan ånga bildas.

- ◆ När du slutat använda den handhållna ångrengöraren ska du vrida Autoselect™-ratten (2) till FRÅN-läget. Stäng AV enheten genom att trycka på strömbrytaren TILL/FRÅN (1) och koppla bort den från elnätet. Vänta tills enheten svalnat innan du ställer undan den (ungefär fem minuter).

Tillbehör

vilka resultat du får med redskapet beror på vilka tillbehör du använder. Tillbehör från BLACK & DECKER håller hög kvalitet och är konstruerade för att fungera optimalt med redskapet. Med dessa tillbehör får du ut mesta möjliga av din utrustning.

Tekniska data

FSMH1321		
Spänning	V _{ac}	230
Energi	W	1300
Behållarens kapacitet	ml	500
Vikt	kg	2.7

FSMH1351SM		
Spänning	V _{ac}	230
Energi	W	1300
Behållarens kapacitet	ml	500
Vikt	kg	2.7
FSMH13101SM		
Spänning	V _{ac}	230
Energi	W	1300
Behållarens kapacitet	ml	500
Vikt	kg	2.8
FSMH13151SM		
Spänning	V _{ac}	230
Energi	W	1300
Behållarens kapacitet	ml	500
Vikt	kg	2.8
FSMH1321J		
Spänning	V _{ac}	230
Energi	W	1300
Behållarens kapacitet	ml	500
Vikt	kg	2.7
FSMH1321JSM		
Spänning	V _{ac}	230
Energi	W	1300
Behållarens kapacitet	ml	500
Vikt	kg	2.8

FSMH1321JMD		
Spänning	V _{ac}	230
Energi	W	1300
Behållarens kapacitet	ml	500
Vikt	kg	2.8

Felsökning

Om apparaten inte fungerar som den ska följer du instruktionerna nedan. Om problemet kvarstår kontaktar du närmaste BLACK+DECKER-verkstad.

Problem	Steg	Möjlig lösning
Ångmoppen startar inte	1.	Kontrollera att enheten är ansluten till vägguttaget.
	2.	Kontrollera att enheten är påslagen med strömbrytaren (1)
	3.	Kontrollera säkringen i kontakten.
Ångmoppen producerar ingen ånga	4.	Ångmoppen genererar enbart ånga om den handhållna ångregöraren (5) är korrekt ansluten till mopstommen (11) eller ångslangen har monterats eller Autoselect™ ställts i läge TILL.
	5.	Kontrollera att vattentanken är full. Notera: När du fyller på vatten för första gången eller efter det att vattnet har tagit slut kan det ta upp till 45 sekunder innan ånga bildas.
	6.	Kontrollera steg 1, sedan 2, sedan 3
Ångmoppen slutar producera ånga under användningen	7.	Kontrollera steg 4, sedan 5, sedan 3

Problem	Steg	Möjlig lösning
Ångmoppen producerar för mycket ånga under användningen	8.	Vrid Autoselect™-ratten (2) moturs för att reducera mängden ånga som genereras
Ångmoppen producerar för litet ånga under användningen	9.	Vrid Autoselect™-ratten (2) medurs för att öka mängden ånga som genereras
Ingen ånga genereras från den handhållna ångregöraren	10.	Kontrollera att Autoselect™-ratten (2) står i TILL-läget
	11.	Kontrollera steg 1, sedan 2, sedan 3
Den handhållna ångregöraren producerar för litet ånga under användningen	12.	Vrid Autoselect™-ratten (2) medurs för att öka mängden ånga som genereras
	13.	Kontrollera steg 5
Den handhållna ångregöraren producerar för mycket ånga under användningen	14.	Vrid Autoselect™-ratten (2) moturs för att reducera mängden ånga som genereras
Tillbehören ramlar av enheten	15.	Se monteringsavsnittet i handboken för korrekt montering av alla delar och tillbehör
Ånga tränger ut från oväntade områden på enheten	16.	Se monteringsavsnittet i handboken för korrekt montering av alla delar och tillbehör
Var kan jag få ytterligare information/ tillbehör	17.	www.blackanddecker.co.uk/steamopp www.blackanddecker.ie/steamopp

Underhåll och rengöring

Din BLACK+DECKER-apparaten är konstruerad för att fungera under lång tid med minsta möjliga underhåll. Kontinuerlig tillfredsställande drift beror på ordentlig apparatvård och regelbunden rengöring.

Varning! Stäng av apparaten och dra ut nätkontakten innan du utför underhåll på eller rengör den.

- ◆ Rengör apparaten regelbundet med en fuktig trasa.
- ◆ Svåra fläckar kan rengöras med en trasa fuktad med en mild tvålösning.

Skötsel av rengöringsdynorna

Tvåtråd - inga mjukmedel- låt alltid torka helt innan återanvändning.

Försiktighet! Följ rengöringsinstruktionerna som är tryckta på rengöringsdynans etikett.

Byte av elkontakten (endast Storbritannien och Irland)

Om en ny elkontakt måste monteras:

- ◆ Gör dig av med den gamla kontakten på lämpligt sätt.
- ◆ Anslut den bruna ledningen till den strömförande anslutningen i den nya kontakten.
- ◆ Anslut den blå ledningen till den icke strömförande anslutningen.
- ◆ Anslut den grön/gula ledningen till jordanslutningen.

Varning! Följ de monteringsanvisningar som följer med kontakter av god kvalitet. Rekommenderad säkring: 13A.

Skydda miljön



Separat insamling. Produkter och batterier som är markerade med denna symbol får inte kastas in de vanliga hushållsoporna.

Produkter och batterier innehåller material som kan återanvändas eller återvinnas för att minska behovet av råmaterial.

Återvinn elektriska produkter och batterier enligt lokala föreskrifter. Mer information finns tillgänglig på www.2helpU.com

Garanti

Black & Decker är säker på kvaliteten hos denna produkt och erbjuder kunder 24 månaders garanti från datumet inköpsdatumet. Garantin gäller utöver konsumentens rättigheter enligt lag och påverkar inte dessa. Garantin är giltig i de territorier som tillhör medlemsstaterna i Europeiska unionen och det europeiska frihandelsområdet.

För yrkande under garantin måste yrkandet vara in enlighet med Black&Deckers villkor och du kommer att behöva skicka in bevis på köpet till försäljaren eller en auktoriserad reparatör.

Villkoren för Black&Deckers tvååriga garanti och var du hittar din närmaste auktoriserade reparatör kan erhållas på internet på www.2helpU.com genom att kontakta ditt lokala Black & Decker kontor på adressen som angetts i denna bruksanvisning.

Besök vår webbsida www.blackanddecker.co.uk för att registrera din nya Black & Decker-produkt samt för att få information om nya produkter och specialerbjudanden.

Tiltenkt bruk

BLACK+DECKER™ FSMH1321, FSMH1351SM, FSMH13101SM, FSMH13151SM, FSMH1321J, FSMH1321JSM, FSMH1321JMD dampmopper er utformet for å rens og rengjøre gulv med forseglet hardtre, forseglet laminat, linoleum, vinyl, keramiske fliser, stein og marmor og for å friske opp tepper. Produktet er bare beregnet for innendørs bruk i hjemmet.

Sikkerhetsinstruksjoner



Advarsel! Les alle sikkerhetsadvarsler og alle instruksjoner. Hvis advarslene og anvisningene nedenfor ikke overholdes, kan det medføre elektrisk støt, brann og/eller alvorlige personskader.



Advarsel! Når du bruker apparater som drives med strøm fra nettet, må grunnleggende sikkerhetsforholdsregler, inkludert punktene som er beskrevet under, alltid følges for å redusere risikoen for brann, elektrisk støt, personskade og skade på materiell.

- ◆ Beregnet bruk er beskrevet i denne håndboken. Hvis du bruker annet tilbehør, kobler til annet utstyr eller bruker dette apparatet til andre oppgaver enn det som er anbefalt i denne håndboken, kan det føre til fare for personskade.
- ◆ Ta vare på denne håndboken for fremtidig bruk.

Bruke produktet

- ◆ Ikke rett damp mot mennesker, dyr, elektriske apparater eller stikkontakter.

- ◆ Ikke utsett verktøyet for regn.
- ◆ Ikke senk produktet ned i vann.
- ◆ Ikke la produktet være uten tilsyn.
- ◆ Ikke la produktet være koblet til en stikkontakt når det ikke er i bruk.
- ◆ Ikke dra i strømledningen når du skal koble produktet fra stikkontakten. Hold ledningen til produktet borte fra varmekilder, olje og skarpe kanter.
- ◆ Ikke håndter damprensjøringsutstyret med våte hender.
- ◆ Ikke trekk eller bær produktet i ledningen, ikke bruk ledningen som håndtak, ikke lukk døren over ledningen, ikke trekk ledningen rundt skarpe hjørner, og ikke utsett ledninger for varme overflater.
- ◆ Ikke bruk produktet i et lukket rom der det er damp fra oljebasert malingstynner, visse møllmidler, antenkelig støv eller annen eksplosiv eller giftig damp.
- ◆ Undersøk gulvtypen hos produsenten.
- ◆ Skal ikke brukes på lær, møbler eller gulv polert med voks eller på syntetiske stoffer eller andre sårbare materialer som er følsomme overfor damp.



Advarsel! Må ikke brukes på tre eller laminatgulv som ikke er forseglet. Overflater som er blitt behandlet med voks, og noen gulv uten voks, kan miste glansen på grunn av virkningen av varmen og dampen. Vi anbefaler at du alltid prøver å rengjøre en begrenset del av overflaten før du fortsetter. Vi anbefaler også at du setter deg inn i gulvprodusentens instruksjoner for bruk og vedlikehold.

- ◆ Ha aldri produkter for fjerning av belegg, aromatiske eller alkoholholdige produkter eller vaskemidler i damprensjøringsutstyret, da dette kan skade utstyret eller gjøre det utrygt å bruke.
- ◆ Hvis sikringen hjemme utløses mens du bruker dampfunksjonen, må du slutte å bruke produktet straks og kontakte kundeservice. (Vær klar over risikoen for elektrisk støt.)
- ◆ Utstyret slipper ut svært varm damp for å rense bruksområdet. Dette betyr at damphodet, rengjøringsputene og teppefilbehøret blir svært varme under bruk.

Forsiktig! Bruk alltid egnede sko når du bruker dampmoppen, og når du bytter tilbehør på dampmoppen. Ikke bruk tøfler eller fottøy med åpne tær.

- ◆ Lokket kan bli varmt under bruk.
- ◆ Det kan komme damp ut av produktet under bruk.

Vis varsomhet når du bruker produktet. IKKE BERØR deler som kan bli varme under bruk.

- ◆ Slå produktet av, og sett håndtaket i stående stilling før du fjerner vanntanken.
- ◆ Hvis du ser at det kommer damp ut av hoveddelen til den håndholdte dampenheten, skal du slå den av, koble enheten fra nettstrømmen og la den bli avkjølt. Kontakt nærmeste autoriserte serviceverksted. Ikke fortsett å bruke produktet.

Etter bruk

- ◆ Koble produktet fra strømmen, og la det avkjøles før det rengjøres.
- ◆ Når det ikke er i bruk, skal apparatet oppbevares på et tørt sted.
- ◆ Barn skal ikke ha tilgang til maskiner som oppbevares.

Kontroll og reparasjon

- ◆ Koble produktet fra stikkkontakten, og la det avkjøles før du utfører vedlikehold eller reparasjoner.
- ◆ Kontroller at apparatet ikke er skadet eller har defekte deler før du bruker det. Undersøk om brytere eller andre deler er skadet, eller om det er andre forhold som kan påvirke bruken.
- ◆ Kontroller jevnlig om strømledningen er skadet.
- ◆ Ikke bruk apparatet hvis en del er skadet eller defekt.
- ◆ Overlat reparasjon eller utskifting av skadde eller defekte deler til et autorisert serviceverksted.

- ◆ Forsøk aldri å fjerne eller bytte ut andre deler enn delene som er oppgitt i denne håndboken.

Andre personers sikkerhet

- ◆ Dette apparatet kan brukes av barn som er 8 år eller eldre samt av personer som har reduserte fysiske, sansemessige eller mentale evner, eller som mangler erfaring og kunnskap, hvis de har tilsyn eller har fått veiledning i bruk av apparatet på en trygg måte og forstår farene som foreligger. Barn skal ikke leke med apparatet. Rengjøring og brukervedlikehold skal ikke utføres av barn uten tilsyn.
- ◆ Barn må holdes under oppsyn, sørg for at de ikke leker med apparatet.

Restrisikoer

Når verktøyet brukes, kan det oppstå ytterligere risikoer som kanskje ikke er beskrevet i de medfølgende sikkerhetsadvarslene. Disse risikoene kan bli forårsaket av feil bruk, langvarig bruk osv.

Selv om de relevante sikkerhetsbestemmelsene blir fulgt, og sikkerhetstiltakene blir gjennomført, kan visse gjenværende risikoer ikke unngås. Disse inkluderer:

- ◆ Personskader som forårsakes av berøring av bevegelige deler.
- ◆ Personskader som forårsakes av berøring av varme deler.
- ◆ Personskader som forårsakes av at deler eller tilbehør byttes.

- Personskader som forårsakes av langvarig bruk av produktet. Når du bruker et produkt i lange perioder, må du sørge for å ta regelmessige pauser.



Ikke la den være uten tilsyn med små barn til stede



Vask ved 60°C. Ikke bruk blekemiddel eller tøymykner



Forsiktig! Varm overflate

Elektrisk sikkerhet



Advarsel! Dette produktet må jordes. Kontroller alltid at strømforsyningen samsvarer med spenningen på merkeskiltet.

Støpselet må passe i stikkkontakten. Aldri modifierer støpselet på noen måte. Umodifiserte støpsler og stikkontakter som passer vil redusere risikoen for elektrisk sjokk.

- Hvis strømledningen blir skadet, må den byttes av produsenten eller et autorisert BLACK+DECKER-servicesenter for å unngå fare.

Skjøteledninger og klasse 1-produkt

- Det må brukes kabel med A 3-kjerne, ettersom apparatet er jordnet og en konstruksjon i klasse 1.
- Avstanden kan være 30 m (100 ft) uten tap av effekt.

Produktmerking

De følgende symbolene sammen med datokode vises på apparatet.



FORSIKTIG Varm damp. Fare for skålding.



Vann drypper om du snur den opp-ned



Det kommer damp ut på alle kanter

Funksjoner

Dette apparatet har noen av eller alle funksjonene nedenfor.

1. På-/av-bryter
2. Autoselect™-hjul
3. Håndtak, håndholdt dampvasker
4. Påfyllingslokk
5. Håndholdt dampvasker
6. Håndtak
7. Øvre kabelfestekrok
8. Hovedhåndtak
9. Nedre kabelfestekrok
10. Låseknapp, håndholdt dampvasker
11. Hoveddel
12. Gulvmunnstykke
- 12a. Dampstøt gulvmunnstykke
- 12b. Teppeglider (for bruk på tepper)
13. Gulvrengjøringspute
14. Låseknapp, gulvrengjøringspute
15. Opphengsbrakett
16. Dampslange
17. Dampmunnstykke
18. Vinkelbørste (for bruk på hardnakkede flekker)
- 18a. Vinkelbørste BBQ (ståltrådbørste)
19. Børsteverktøy (for på fliser/støp)
20. Nal (for bruk på dusjkabinetter/glass/vinduer/speil/klær/møbeltrekk)
- 20a. Nalstrømpe
21. Stor nal (for bruk på dusjkabinetter/glass/vinduer/speil/klær/møbeltrekk)
- 21a. Stor nalstrømpe
22. Dampbørsteenhet
- 22a. Dampstålbørste (for bruk på grill og oven)
- 22b. Dampstøtbørste (for bruk på grill/oven/kokeplater/kraner/støp)

- 22c. Dampstøtbørste, bred
(for bruk på store flater)
- 23. Trekanthode
(for bruk på klær/møbeltrekk/store flater)
- 23a. Rengjøringspute, flate flater
- 23b. Tøydampingsadapter
(for bruk på klær/møbler)
- 23c. Tøydampingsbørste
(for bruk på klær/møbler)
- 23d. Tøydampingspute
(for bruk på klær/møbler)
- 23e. Trekanthode teppeglider
- 25. SteaMitt™
- 26. SteaMitt™ slange
- 27. SteaMitt™ rengjøringspute
- 27a. SteaMitt™ rengjøringspute 2
- 27b. SteaMitt™ rengjøringspute 3
- 28. Justerbar dyse

	FSMH1321	FSMH1351SM	FSMH13101SM	FSMH13151SM	FSMH1321J	FSMH1321LSM	FSMH1321JMD	Anbefalte dampinnstillinger
27a							✓	•
27b							✓	•
28				✓	✓	✓	✓	Alle

Konfigurasjon

	FSMH1321	FSMH1351SM	FSMH13101SM	FSMH13151SM	FSMH1321J	FSMH1321JSM	FSMH1321JMD	Anbefalte dampinnstillinger
12	✓	✓	✓	✓	✓	✓	✓	Alle
12a			✓	✓	✓	✓	✓	Alle
12b				✓	✓	✓	✓	Alle
13	✓	✓	✓	✓	✓	✓	✓	Alle
16	✓	✓	✓	✓	✓	✓	✓	Alle
18	✓	✓		✓	✓	✓		Alle
18a				✓	✓	✓		Alle
19	✓	✓			✓	✓		Alle
20	✓	✓	✓	✓				•
20a	✓	✓	✓	✓				•
21					✓	✓	✓	•
21a					✓	✓	✓	•
22			✓	✓				Alle
22a			✓	✓			✓	Alle
22b			✓	✓			✓	Alle
22c			✓	✓			✓	Alle
23							✓	Alle
23a							✓	Alle
23b							✓	•
23c							✓	•
23d							✓	•
23e							✓	•
25		✓	✓	✓			✓	•
26		✓	✓	✓			✓	•
27		✓	✓	✓			✓	•

Montering



Advarsel! Før du utfører noen av fremgangsmåtene nedenfor, må du sikre at produktet er slått av, at støpselet er trukket ut, og at produktet er avkjølt og ikke inneholder vann.

Sette på håndtaket (figur A)

- ◆ Skyv den nedre delen av håndtaket (8) inn i den øvre delen av dampmoppenheten (11) til det klikker på plass.

Sette på den håndholdte dampenheten (Fig. B)

- ◆ Hold på baksiden av dampmoppenheten (11), og trykk den håndholdte dampenheten (5) inn i dampmoppenheten (11), pass på at den sitter korrekt på grensesnittet (11a) og klikker på plass.

Ta av den håndholdte dampenheten (figur B)

- ◆ Skyv låseknappen (10) på hovedenheten (11) og løft dampvaskeren (5) av grensesnittet (11a) og av hovedenheten (11).

Sette på en rengjøringspute (figur C)

Ekstra rengjøringsputer får du hos din BLACK+DECKER-forhandler (artikkelnummer FSMP20-XJ).

- ◆ Plasser en rengjøringspute (13) på gulvet med festesiden av borrelåsen opp.
- ◆ Trykk dampmoppen forsiktig ned på rengjøringsputen (13).

Merk: Denne enheten kan leveres med et standard rengjøringshode for gulv (12) eller et dampstøt-hode (12a). Disse instruksene gjelder begge varianter.

Forsiktig! La aldri dampmoppen være på ett sted noen tid. Plasser alltid dampmoppen på hvilematten med håndtaket (8) i stående stilling når den er i ro, og pass på at dampmoppen er slått av når den ikke er i bruk.

Fjerne en rengjøringspute

Forsiktig! Bruk alltid egnede sko når du bytter rengjøringspute på dampmoppen. Ikke bruk tøfler eller fottey med åpne tær.

- ◆ Sett håndtaket (8) i stående stilling igjen, og slå dampmoppen "AV".
- ◆ Vent til dampenheten er avkjølt før du setter den til oppbevaring (omtrent 5 minutter).
- ◆ Løft dampmoppen vekk fra rengjøringsputen ved å løse borrelåsen.

Forsiktig! La aldri dampmoppen være på ett sted noen tid. Plasser alltid dampmoppen på hvilematten med håndtaket (8) i stående stilling når den er i ro, og pass på at dampmoppen er slått av når den ikke er i bruk.

Fylle vanntanken (figur Q)

Merk! Fyll vanntanken med rent vann fra kranen (ikke bruk tilsetninger eller kjemikalier).

Merk! I områder med hardt vann anbefales bruk av avionisert vann.

- ◆ Åpne påfyllingslokket (4) ved å vippe det opp.
- ◆ Fyll vanntanken med rent vann fra kranen (ikke bruk tilsetninger eller kjemikalier).

Advarsel! Ved fylling, løsne fra hovedenheten og hold i horisontal stilling.

Advarsel! Vanntanken tar 0,5 liter. Ikke fyll for mye på tanken.

- ◆ Sett på fyllingslokket (4).

Merk! Pass på at påfyllingslokket er satt på riktig.

Feste teppeglider (12b) (bare til bruk på tepper)

- ◆ Plasser teppeglideren (12b) på gulvet.
- ◆ Fest en rengjøringspute til gulvrenngjøringshodet (12)
- ◆ Trykk dampmoppen forsiktig ned på teppeglideren (12b) til den klikker på plass.

Forsiktig! La aldri dampmoppen være på ett sted noen tid. Plasser alltid dampmoppen på hvilematten med håndtaket (8) i stående stilling når den er i ro, og pass på at dampmoppen er slått av når den ikke er i bruk.

Fjerne teppeglideren

Forsiktig! Bruk alltid egnede sko når du tar teppeglideren av dampmoppen. Ikke bruk tøfler eller fottøy med åpne tær.

- ◆ Sett håndtaket (8) i stående stilling igjen, og slå dampmoppen "AV".
- ◆ Vent til dampenheten er avkjølt før du setter den til oppbevaring (omtrent 5 minutter).
- ◆ Plasser skotuppen på klaffen for fjerning av teppeglideren, og trykk bestemt nedover.
- ◆ Løft dampmoppen opp og bort fra teppeglideren.

Forsiktig! La aldri dampmoppen være på ett sted noen tid. Plasser alltid dampmoppen på hvilematten med håndtaket (8) i stående stilling når den er i ro, og pass på at dampmoppen er slått av når den ikke er i bruk.

Sette slange og tilbehør på den håndholdte dampenheten (figur G - O)

Advarsel! Inspiser pakningen mellom koblingspunktet på den håndholdte dampvaskeren (5) og dampslangen (16) for hver bruk. Hvis pakningen mangler eller er skadet, må du kontakte nærmeste autoriserte serviceverksted. Ikke bruk produktet.

Advarsel! Apparatet skal være slått av før slangen settes på.

Feste slangen

- ◆ Trykk på dampslangens låsekna (16a) på dampslangen (16).
- ◆ Koble dampslangen (16) til den håndholdte dampvaskeren (5) og løsne låseknaen på dampslangen (16a), pass på at den klikker på plass.

Viktig! Sørg for at slangen (16) er sikkert festet før du bruker den håndholdte dampenheten (5). Dersom det kommer damp ut ved åpningen, er ikke slangen korrekt festet. Slå enheten av, og la den avkjøles før du tar av og setter på igjen slangen.

Sette på tilbehør (Fig. H)

- ◆ Plasser tappene på slangen (17) mot sporene i tilbehøret.
- ◆ Trykk tilbehøret inn på dampmunestykket (17), og vri mot klokken til tilbehøret klikker på plass.

Viktig! Alt tilbehør unntatt SteaMitt™ (25), som har sin egen slange og kobling (26), må kobles til dampslangen (16) for bruk.

Ta av slange og tilbehør

Advarsel! Dampslangen (16), dampdysen (17) og tilbehør blir varme ved bruk. La enheten og alt tilbehør avkjøles før du tar av tilbehør.

Ta av tilbehør

- ◆ Drei tilbehøret med klokken, og trekk det deretter bort fra slangen (16).

Ta av slangen

- ◆ Trykk låseknaen (16a) på dampslangen (16) og trekk den ut fra den håndholdte dampvaskeren.

SteaMitt™

BLACK+DECKER™ SteaMitt™ er designet for rensing og rengjøring av fliser, arbeidsbenker og overflater i kjøkken og badrom. Produktet er bare beregnet for innendørs bruk i hjemmet.

Sette på SteaMitt™ slangen på den håndholdte dampvaskeren

Advarsel! Kontroller pakningen på dampmunestykket og slangen før hver bruk. Hvis pakningen mangler eller er skadet, må du kontakte nærmeste autoriserte serviceverksted.

Ikke bruk produktet. Inspiser pakningen på SteaMitt™ og

slangen. Dersom pakningen mangler, er skadet eller det lekker ut damp, vennligst kontakt ditt nærmeste autoriserte reparasjonsverksted. **Ikke bruk produktet.** Pass på at det ikke er noen blokkering eller hindring i SteaMitt™-slangen eller tilkoblingsslangen. Hvis det er noen, må du kontakte nærmeste autoriserte serviceverksted. **Ikke bruk apparatet.**

Feste rengjøringspute til SteaMitt™ (figur L)

Advarsel! Pass på at det ikke er noen blokkering eller hindring i dampåpningene. Hvis det er noen, må du kontakte nærmeste autoriserte serviceverksted. **Ikke bruk produktet.**

- ◆ Sett rengjøringsputen (27) på SteaMitt™ (25) ed å feste borrelåsene (27a) på oversiden av rengjøringsputen på borrelåsen (25a) på undersiden av SteaMitt™ (4). Trykk godt ned.

Advarsel! SteaMitt™ skal ikke brukes åten å sette på en rengjøringspute.

Merk: SteaMitt™ kan bruke 4 typer rengjøringsputer med ulik tykkelse. Skrubbepute (for bruk på standhaftige flekker og røffe overflater), baderompute (for bruk på kraner og andre krumme overflater på badet), standard pute (for bruk på alle store overflater) og poleringspute (for bruk på ømfintlige overflater).

- ⚠ **Advarsel!** Bruk alltid SteaMitt™ som vist i figur M, med hånden inne i hansken.
- ⚠ **Advarsel!** Prøv aldri å bruke SteaMitt™ ved å gripe den utvendig som vist i figur N. Dette vil føre til brannskader.
- ⚠ **Advarsel!** Unngå å bruke SteaMitt™ i trange hjørner som vist i figur O.
- ⚠ **Advarsel!** Dersom det oppstår et problem under bruken, bruk hurtiglåsen for raskt å løse SteaMitt™ fra hånden, som vist i figur P.
- ⚠ **Advarsel!** Ikke bruk SteaMitt™ på kaldt glass som vinduer, det kan oppstå skader ved den brå temperaturendringen.
- ⚠ **Advarsel!** Pek eller rett aldri dampvotten mot deg selv eller andre personer.

Merk: Det anbefales at SteamMitt brukes med innstilling 1 for å unngå at puten blir for våt.

Bruk

Viktig! Denne enheten dreper 99,9 % av mikrober inkludert bakterier når den brukes i samsvar med denne håndboken, mikrofiberputen er satt på, og enheten brukes kontinuerlig i 90 sekunder.

Slå på og av

- ◆ Når du skal slå apparatet på, trykker du på AV/PÅ-bryteren (1). Det tar ca. 15 sekunder til dampmoppen er oppvarmet.

- ◆ Når du skal slå apparatet på, trykker du på AV/PÅ-bryteren (1).

Merk: Ha alltid hånden i SteaMitt™ før du trykker på dampknappen.




Forsiktig! La aldri dampmoppen være på ett sted noen tid. Plasser alltid dampmoppen på hvilematten med håndtaket (8) i stående stilling når den er i ro, og pass på at dampmoppen er slått av når den ikke er i bruk.

Forsiktig! Tøm alltid dampmoppen etter bruk.

Merk! Ved første fylling eller etter at den har gått tom, kan det ta opptil 45 sekunder før det lages damp.

Autoselect™-teknologi (Fig. R)

Denne dampmoppen har et Autoselect™-hjul (2) som viser ulike rengjøringsanvendelser. De brukes til å velge riktig innstilling for den bestemte rengjøringsoppgaven. Med Autoselect™ kan du velge mellom bruksområdene nedenfor ved å vri på Autoselect™-hjulet (2) til den ønskede innstillingen er oppnådd.

Innstilling	Mopp	Håndholdt
	Tre/laminat	● Lav dampstrøm
	Fliser/vinyl	●● Middels dampstrøm
	Stein/marmor	●●● Høy dampstrøm

Dampmoppen vil velge riktig dampvolum for den bestemte rengjøringsoppgaven.

Merk: Kontroller alltid at du bruker riktig innstilling før du bruker dampmoppen.

Dampstøt (figur C1) (kun tilgjengelig på apparatene FSMH1310SM, FSMH13151SM, FSMH1321J, FSMH1321JMD, FSMH1321JSM)

Gulvhodet (12a) er utstyrt med en dampstøtpedal som bidrar til å fjerne vanskelige flekker.

- ◆ Under bruk trykker du inn dampstøt-knappen for å få mer kraft i rengjøringen.
- ◆ Trykk pedalen en gang til for å gå tilbake til normal innstilling.

Råd for optimal bruk

Generelt

Forsiktig: Bruk aldri dampmoppen uten å sette på rengjøringsputen først.

- ◆ Du må alltid støvsuge eller feie gulvet før du bruker dampmoppen.

- ◆ Den enkleste måten å bruke produktet på er å la håndtaket helle 45° vinkel og rengjøre langsomt, et lite område av gangen.
- ◆ Bruk kun vann uten tilsetninger eller kjemikalier med dampmoppen. Når du skal fjerne vanskelige flekker fra vinyl- eller linoleumsgulv, kan du forbehandle det med et mildt rengjøringsmiddel og litt vann før du bruker dampmoppen.

Damprengjøring med moppen

- ◆ Sett den håndholdte dampenheten (5) i dampmoppenheten (11)
- ◆ Sett en rengjøringspute (13) på gulvet med festesiden av borrelåsen opp.
- ◆ Trykk dampmoppen forsiktig ned på rengjøringsputen (13).
- ◆ Sett støpselet til dampmoppen i stikkkontakten.
- ◆ Trykk på på/av-knappen (1). Det tar ca. 15 sekunder til dampmoppen er oppvarmet.
- ◆ Vri Autoselect™-hjulet (2) til ønsket innstilling. Etter noen få sekunder begynner det å komme damp ut av damphodet.

Merk! Ved første fylling eller etter at den har gått tom, kan det ta opptil 45 sekunder før det lages damp.

- ◆ Det tar noen få sekunder før dampen kommer inn i rengjøringsputen. Dampmoppen glier nå lett over overflaten som skal renses/rengjøres.
- ◆ Skyv og trekk dampmoppen langsomt over gulvet for å rengjøre alle deler grundig med dampen.
- ◆ Når du er ferdig med å bruke dampmoppen, sett håndtaket (8) rett opp, pass på at den står stødig og slå den AV. Vent til dampmoppen er avkjølt (omtrent fem minutter).

Forsiktig! Det er viktig å holde øye med vannivået i vanntanken. Når du skal fylle på vanntanken og fortsette å rens/rengjøre, setter du håndtaket i stående stilling og slår dampmoppen AV. Trekk støpselet ut av stikkkontakten, og fyll vanntanken igjen.

Forsiktig! La aldri dampmoppen være på ett sted noen tid. Plasser alltid dampmoppen på hvilematten med håndtaket (8) i stående stilling når den er i ro, og pass på at dampmoppen er slått av når den ikke er i bruk.

Oppfrisking av tepper

- ◆ Plasser en rengjøringspute (13) på gulvet med festesiden av borrelåsen opp.
- ◆ Trykk dampmoppen forsiktig ned på rengjøringsputen.
- ◆ Plasser teppeglideren (12b) på gulvet.
- ◆ Trykk dampmoppen forsiktig ned på teppeglideren til den klikker på plass.
- ◆ Koble dampmoppen i stikkkontakten.
- ◆ Trykk på på/av-knappen (1). Det tar ca. 15 sekunder til dampmoppen er oppvarmet.

- ◆ Drei Autoselect™-hjulet (2) til innstillingen for tre/laminat.
- ◆ Skyv og trekk dampmoppen langsomt over teppet for å friske opp alle deler grundig med dampen.
- ◆ Når du er ferdig med å bruke dampmoppen, sett håndtaket (8) rett opp, og slå den AV. Vent til dampmoppen er avkjølt (omtrent fem minutter).

Etter bruk

- ◆ Drei Autoselect™-hjulet (2) til AV.
- ◆ Vent til dampmoppen er avkjølt.
- ◆ Ta støpselet til dampmoppen ut av stikkkontakten.
- ◆ Tøm vanntanken.
- ◆ Ta av rengjøringsputen (13), vask den så den er klar for neste bruk (pass på å følge vaskeanvisningen som er trykket på rengjøringsputen).
- ◆ Vikle strømledningen rundt kabelfestekrokene (7 og 9).
- ◆ Alternativt kan du benytte en hengebrakett (15) som er bygd inn i håndtaket (6), og som gjør det mulig å henge dampmoppen fra en passende krok på veggen. Pass alltid på at veggkroken trygt kan bære vekten av dampmoppen.

Rengjøring med håndholdt enhet

Advarsel! Hold apparatet i horisontal stilling under bruk.

- ◆ Sett på ønsket tilbehør.
- ◆ Koble den håndholdte dampenheten til strømmettet.
- ◆ Trykk på på/av-knappen (1). Det tar ca. 15 sekunder til dampmoppen er oppvarmet.
- ◆ Vri Autoselect™-hjulet (2) til ønsket innstilling. Etter noen få sekunder begynner det å komme damp ut av damphodet.

Merk! Ved første fylling eller etter at den har gått tom, kan det ta opptil 45 sekunder før det lages damp.

- ◆ Når du er ferdig å bruke den håndholdte dampvaskeren, sett Autoselect™-hjulet (2) til AV. Slå AV enheten ved å trykke på AV/PÅ-knappen (1) og koble fra strømmen. Vent til enheten kjøler seg ned før du setter den vekk (omtrent fem minutter).

Tilbehør

Produktets ytelse avhenger av tilbehøret du bruker.

Tilbehør fra BLACK & DECKER er produsert etter høye kvalitetsstandarder og er konstruert for å bedre produktets ytelse. Hvis du bruker dette tilbehøret, får du mest mulig ut av utstyret ditt.

Tekniske data

FSMH1321		
Spenning	V _{ac}	230
På/av	W	1300
Tankkapasitet	ml	500
Vekt	kg	2,7

FSMH1351SM		
Spenning	V _{ac}	230
På/av	W	1300
Tankekapasitet	ml	500
Vekt	kg	2,7

FSMH13101SM		
Spenning	V _{ac}	230
På/av	W	1300
Tankekapasitet	ml	500
Vekt	kg	2,8

FSMH13151SM		
Spenning	V _{ac}	230
På/av	W	1300
Tankekapasitet	ml	500
Vekt	kg	2,8

FSMH1321J		
Spenning	V _{ac}	230
På/av	W	1300
Tankekapasitet	ml	500
Vekt	kg	2,7

FSMH1321JSM		
Spenning	V _{ac}	230
På/av	W	1300
Tankekapasitet	ml	500
Vekt	kg	2,8

FSMH1321JMD		
Spenning	V _{ac}	230
På/av	W	1300
Tankekapasitet	ml	500
Vekt	kg	2,8

Feilsøking

Hvis apparatet ikke fungerer som det skal, følger du instruksjonene nedenfor. Hvis problemet ikke løses, kontakter du ditt lokale BLACK+DECKER-serviceverksted.

Problem	Trinn	Mulig løsning
Dampmoppen slår seg ikke på	1.	Kontroller at enheten er koblet til stikkkontakten.
	2.	Kontroller at enheten er slått på med PÅ/AV knappen (1)
	3.	Kontroller sikringen i støpselet.
Dampmoppen produserer ikke damp	4.	Dampmoppen vil bare produsere damp dersom dampvotten (5) festet korrekt til hoveddelen (11) og dampslangen er koblet til Autoselect™ og slått på
	5.	Kontroller at vanntanken er full. Merk: Ved første fylling eller etter at den har gått tom, kan det ta opptil 45 sekunder før det lages damp.
	6.	Kontroller trinn 1, så 2 og deretter 3
Dampmoppen stopper å lage damp under bruk	7.	Kontroller trinn 4, så 5 og deretter 3

Problem	Trinn	Mulig løsning
Dampmoppen lager for lite damp under bruk	8.	Drei Autoselect™-hjulet (2) mot klokken for å redusere mengden damp som produseres
Dampmoppen lager for lite damp under bruk	9.	Drei Autoselect™-hjulet (2) med klokken for å øke mengden damp som produseres
Det produseres ikke damp fra den håndholdte dampvaskeren	10.	Drei Autoselect™-hjulet (2) til PÅ-posisjon
	11.	Kontroller trinn 5, så 1, så 2 og deretter 3
Den håndholdte dampvaskeren lager for lite damp under bruk	12.	Drei Autoselect™-hjulet (2) med klokken for å øke mengden damp som produseres
	13.	Kontroller trinn 5
Den håndholdte dampvaskeren lager for mye damp under bruk	14.	Drei Autoselect™-hjulet (2) mot klokken for å redusere mengden damp som produseres
Tilbehøret faller stadig av enheten	15.	Se avsnittet om montering for korrekt montering av deler og tilbehør
Damp kommer ut på uventede steder på apparatet	16.	Se avsnittet om montering for korrekt montering av deler og tilbehør
Hvor kan jeg finne mer informasjon/tilbehør	17.	www.blackanddecker.co.uk/steamop www.blackanddecker.ie/steamop

Vedlikehold og rengjøring

Det nettdrevne BLACK+DECKER-produktet er konstruert for å være i drift over lengre tid med et minimum av vedlikehold. Kontinuerlig tilfredsstillende bruk avhenger av ordentlig stell av apparatet og regelmessig renhold.

Advarsel! Før du utfører noe vedlikehold på eller rengjøring av nettdrevne produkter, må du slå av produktet og koble fra strømmen.

- ◆ Tørk av produktet med en myk, fuktig klut.
- ◆ Til vanskelige flekker kan du bruke en mild oppløsning av såpe og vann til å fukte kluten.

Behandling av rengjøringsputer

Vaskeanvisninger – ikke bruk tøyknær. La den tørke helt før den brukes igjen.

Forsiktig! Følg vaskeanvisningene som er trykt på merket på rengjøringsputen.

Sifte støpsel (bare Storbritannia og Irland)

Dersom du trenger å sette på et nytt støpsel:

- ◆ Kast det gamle støpselet på en trygg måte.
- ◆ Koble den brune ledningen til den strømførende terminalen i det nye støpselet.
- ◆ Koble den blå ledningen til den nøytrale terminalen.
- ◆ Koble den grønne/gule ledningen til jordklemmen.

Advarsel! Følg monteringsanvisningen som medfølger støpsler av god kvalitet. Anbefalt sikring: 13A.

Miljøvern

Separat avfallshåndtering. Produkter og batterier merket med dette symbolet skal ikke kastes i vanlig husholdningsavfall.



Produkter og batterier inneholder materialer som kan gjenbrukes eller gjenvinnes for å redusere behovet for nye råmaterialer.

Vennligst lever elektrisk utstyr og batterier til gjenbruk i henhold til lokale regler. Mer informasjon finner du på www.2helpU.com

Garanti

Black & Decker er trygg på kvaliteten av produktene sine og tilbyr en 24 måneders garanti fra kjøpsdato. Denne garantierklæringen kommer i tillegg til dine lovbestemte rettigheter og er ikke i konflikt med disse. Garantien er gyldig innen områdene tilhørende medlemslandene i den Europeiske Union (EU) og det Europeiske Frihandelsområdet (EFTA).

For å ta garantien i bruk må kravet være i samsvar med kjøpsbetingelsene fra Black&Decker og du må vise kjøpskvittering til forhandleren eller til et autorisert serviceverksted. Betingelsene for Black&Deckers 2 års garanti og adressen til din nærmeste autoriserte serviceverksted kan du finne på internett under www.2helpU.com, eller ved å kontakte ditt lokale Black & Decker kontor, adressen er angitt i denne bruksanvisningen.

Besøk vår webside www.blackanddecker.co.uk for å registrere ditt nye Black & Decker-produkt og for å holde deg oppdatert om nye produkter og spesialtilbud.

Tilsigtet brug

Din BLACK+DECKER™ FSMH1321, FSMH1351SM, FSMH13101SM, FSMH13151SM, FSMH1321J, FSMH1321JSM, FSMH1321JMD dampmoppe er beregnet til rensning og rengøring af forsegleet hårdtræ, forsegleet laminat, linoleum, vinyl, keramikfliser, sten- og marmorgulve. Apparatet er kun beregnet til indendørs brug i husholdninger.

Sikkerhedsinstruktioner



Advarsel! Læs alle sikkerhedsadvarsler og alle instruktioner. Hvis efterfølgende advarsler og instruktioner ikke følges, er der risiko for elektrisk stød, brand og alvorlige kvæstelser.



Advarsel! Ved brug af apparater, der strømforsynes fra forsyningsnettet, er det vigtigt, at grundlæggende sikkerhedsforholdsregler, herunder bl.a. nedenstående, altid følges for at mindske risikoen for brand, elektrisk stød, personskade og tingskade.

- ◆ Den tilsigtede brug er beskrevet i denne vejledning.
Brugen af ekstraudstyr eller tilbehør eller udførelse af andet arbejde med dette apparat end det, der anbefales i denne vejledning, kan udgøre en fare for kvæstelser.
- ◆ Opbevar denne vejledning til senere brug.

Brug af apparatet

- ◆ Ret aldrig dampen mod mennesker, dyr, elektriske apparater eller strømudgange.

- ◆ Udsæt det ikke for regn.
- ◆ Apparatet må ikke nedsænkes i vand.
- ◆ Efterlad ikke apparatet uden opsyn.
- ◆ Træk altid stikket ud af stikkontakten, når apparatet ikke er i brug.
- ◆ Træk aldrig i strømledningen for at afbryde apparatet fra stikkontakten. Beskyt apparatets ledning imod varmepåvirkninger, olie og skarpe kanter.
- ◆ Brug ikke damprenseren med våde hænder.
- ◆ Træk eller løft ikke apparatet i ledningen, brug ikke ledningen som håndtag, lad ikke ledningen komme i klemme i en dør, træk ikke ledningen om skarpe kanter og lad ikke ledningen komme i berøring med varme flader.
- ◆ Brug ikke apparatet i lukkede rum fyldt med dampe fra oliebaseret malingsfortynder, mølmidler, brændbart støv eller eksplosive eller giftige dampe.
- ◆ Spørg om din gulvtype hos din forhandler.
- ◆ Apparatet må ikke bruges til læder, voksbehandlede møbler eller gulve, syntetiske stoffer, fløjl eller andre fine, dampfølsomme materialer.



- Advarsel!** Brug ikke apparatet på ubehandlede trægulve eller ubehandlede laminatgulve. På voksbehandlede overflader og nogle gulve uden voks kan varmen og dampen bevirke, at glansen forsvinder. Det anbefales altid først at prøve apparatet på et lille skjult stykke af den overflade, der skal rengøres. Vi anbefaler også, at man kontrollerer gulvproducentens brugs- og vedligeholdelsesvejledninger.
- ◆ Fyld aldrig kalkstensfjerner, aromatiske eller alkoholbaserede produkter eller rensesubstanter i damprenseren, da det kan ødelægge den eller gøre den farlig at bruge.
 - ◆ Hvis boligens fejlstrømsafbryder kobler ud under brugen af dampfunktionen, skal man straks ophøre med at bruge apparatet og kontakte kundeservicecentret. (Vær opmærksom på risikoen for elektrisk stød.)
 - ◆ Apparatet udsender meget varm damp for at rense anvendelsesområdet. Det betyder, at dampovedet, moppekludene og tæppetilbehøret bliver meget varme ved brug.
- Forsigtig!** Benyt altid egnet fodtøj, når du bruger dampmoppen, og når du skifter tilbehør på dampmoppen. Brug ikke hjemmesko eller åbne sko.
- ◆ Låget kan blive varmt ved brug.

- ◆ Der kan strømme damp ud fra apparatet ved brug. Vær meget forsigtig ved brug af apparatet. RØR IKKE ved dele, der kan blive varme ved brug.
- ◆ Sluk apparatet, og stil håndtaget tilbage i lodret stilling, før du fjerner vandbeholderen.
- ◆ Hvis der registreres dampudslip fra den håndholdte damprensers kabinet, slukkes enheden, ledningen tages ud af stikkontakten, og enheden køler af. Kontakt det nærmeste autoriserede serviceværksted. Apparatet må ikke længere anvendes.

Efter brug

- ◆ Tag apparatet ud af stikkontakten, og lad det køle af, før det rengøres.
- ◆ Opbevar apparatet på et tørt sted, når det ikke er i brug.
- ◆ Opbevar apparater utilgængeligt for børn.

Eftersyn og reparationer

- ◆ Tag apparatet ud af stikkontakten og lad det køle af, før der udføres vedligeholdelse eller reparation.
- ◆ Før brug skal apparatet kontrolleres for beskadigede eller defekte dele. Se efter knækkede dele, skader på kontakter og eventuelle andre tilstande, der kan påvirke apparatets funktion.
- ◆ Kontroller regelmæssigt strømledningen for skader.
- ◆ Brug ikke apparatet med beskadigede eller defekte dele.

- ◆ Sørg for at få beskadigede eller defekte dele repareret eller udskiftet på et autoriseret værksted.
- ◆ Forsøg aldrig at fjerne eller udskifte dele ud over dem, der er beskrevet i denne vejledning.

Andres sikkerhed

- ◆ Dette apparat kan bruges af børn i en alder fra 8 år og derover og personer med nedsatte fysiske, sensoriske eller mentale evner eller manglende erfaring og viden, hvis det sker under overvågning, eller de vejledes i brugen af apparatet på en sikker måde, og de forstår de farer, som er forbundet dermed. Børn må ikke lege med apparatet. Rengøring og brugervedligeholdelse må ikke foretages af børn uden opsyn.
- ◆ Børn skal holdes under opsyn, så det sikres, at de ikke leger med værktøjet.

Tilbageværende risici

Der kan opstå yderligere, tilbageværende risici under brugen af apparatet, som muligvis ikke behandles i de vedlagte sikkerhedsadvarsler. Disse risici kan opstå pga. forkert anvendelse, langvarig brug etc.

Selv ved overholdelse af relevante sikkerhedsforskrifter og anvendelse af sikkerhedsudstyr kan visse resterende risici ikke undgås. Disse omfatter:

- ◆ Tilskadecomst forårsaget af berøring af bevægelige dele.
- ◆ Tilskadecomst forårsaget af berøring af varme dele.

- Tilskadekomst forårsaget af udskiftning af dele eller tilbehør.
- Tilskadekomst forårsaget af langvarig brug af apparatet. Husk at holde pause jævnligt ved brug af et apparat i længere tid.



Der kommer damp ud fra alle sider

Må ikke efterlades uden opsyn med mindre børn



Vask ved 60°C. Brug ikke blegemiddel eller skyllemiddel



Forsigtig! Varm overflade

Elektricitet og sikkerhed



Advarsel! Dette produkt skal jordforbindes. Kontrollér altid, at strømforsyningen svarer til spændingen på mærkepladen.

Elektriske stik skal passe til stikkontakten. Stikket må aldrig modificeres på nogen måde. Umodificerede stik og dertil passende stikkontakter reducerer risikoen for elektrisk stød.

- Hvis netledningen beskadiges, skal den udskiftes af producenten eller et autoriseret BLACK+DECKER-værksted, så farlige situationer undgås.

Forlængerledninger og klasse 1-produkt

- Der skal anvendes et 3-lederkabel, da dette apparat er jordforbundet og klassificeret som klasse 1.
- Der kan anvendes op til 30 m uden effekttab.

Mærkater på apparatet

Følgende piktogrammer vises på værktøjet sammen med datokoder.



FORSIGTIG Varm damp.
Risiko for skoldning.



Der drypper vand, når den bruges omvendt

Funktioner

Dette apparat leveres med nogle af eller alle de følgende komponenter.

1. Afbryderkontakt
2. Autoselect™-skive
3. Håndholdt dampenhedshåndtag
4. Hætte
5. Håndholdt dampenhed
6. Håndgreb
7. Kabelholder, øverste kabel
8. Hovedhåndtag
9. Kabelholder, nederste kabel
10. Udløserknap til håndholdt dampenhed
11. Hoveddel
12. Gulv rengøringsmundstykke
- 12a. Gulv rengøringsmundstykke med damptryk
- 12b. Tæppeglider
(til brug på tæpper)
13. Gulvmoppeklud
14. Udløsningstap til gulvmoppeklud
15. Hængebeslag
16. Dampslange
17. Dampdyse
18. Vinkelbørstetilbehør
(til brug på genstridige pletter)
- 18a. inkelbørste BBQ (ståltrådsbørste)
19. Børstetilbehør
(til brug på fliser/fugemasse)
20. Vinduesskrabertilbehør
(til brug på bruseskærme/glas/spejle/tøj/betræk)
- 20a. Vinduesskrabersok
21. Stort vinduesskrabertilbehør
(til brug på bruseskærme/glas/spejle/tøj/betræk)
- 21a. Stor vinduesskrabersok

22. Børsteenhed med damptryk
22a. Ståltrådsbørste med damptryk
(til brug på grill/ovne)
22b. Børste med damptryk
(til brug på grill/ovne/kogesektioner/haner/fugemasse)
22c. Bred børste med damptryk
(til brug på større arbejdsflader)
23. Delta-hoved
(til brug på tøj/betræk/større arbejdsflader)
23a. Moppeklud til plan overflade
23b. Grænseflade til dampbehandling af klædningsstykker
(til brug på tøj/betræk)
23c. Børste til dampbehandling af klædningsstykker
(til brug på tøj/betræk)
23d. Klud til dampbehandling af klædningsstykker
(til brug på tøj/betræk)
23e. Delta-hoved tæppeglider
25. SteaMitt™
26. SteaMitt™ slange
27. SteaMitt™ moppeklud
27a. SteaMitt™ moppeklud 2
27b. SteaMitt™ moppeklud 3
28. Justerbar dyse

	FS MH 1321	FS MH 1351 SM	FS MH 13101 SM	FS MH 13151 SM	FS MH 13221 J	FS MH 1321 L SM	FS MH 1321 J M D	Anbefalede dampindstillinger
23d							✓	•
23e							✓	•
25		✓	✓	✓		✓	✓	•
26		✓	✓	✓		✓	✓	•
27		✓	✓	✓		✓	✓	•
27a							✓	•
27b							✓	•
28				✓	✓	✓	✓	Alle

Samling



Advarsel! Sørg for, at apparatet er afbrudt, at stikket er taget ud, og at apparatet er koldt og ikke indeholder vand, inden nogle af de følgende instruktioner udføres.

Montering af håndtaget (Fig. A)

- ◆ Skub den nederste ende af håndtaget (8) ind i den øverste ende af dampmoppekabinettet (11), indtil det klikker på plads.

Påmontering af den håndholdte damprensere (Fig. B)

- ◆ Mens det bageste af dampmoppen (11) holdes fast, skubbes den håndholdte damprensere (5) solidt ind i dampmoppen (11), mens det sørges for, at den sidder korrekt over grænsefladen (11a) og klikker godt på plads.

Afmontering af den håndholdte damprensere (Fig. B)

- ◆ Tryk på udløserknappen (10) på hoveddelen (11), og løft den håndholdte damprensere (5) fra grænsefladen (11a) og væk fra hoveddelen (11).

Påsætning af moppeklud (Fig. C)

Nye moppeklude fås hos din BLACK+DECKER forhandler- (kat nr. FSMP20-XJ).

- ◆ Læg moppekluden (13) på gulvet med velcro 'strop'-siden opad.
- ◆ Pres dampmoppen let ned på moppekluden (13).

Bemærk: Denne enhed kan være udstyret med et almindeligt gulvrengrøringsmundstykke (12) eller et rengøringsmundstykke med damptryk (12a). I begge tilfælde skal disse anvisninger anvendes til at påmontere en moppeklud.

Forsigtig! Lad aldrig dampmoppen blive stående på et sted på nogen form for overflade. Stil altid dampmoppen med håndtaget (8) understøttet i lodret stilling, når den står stille og sørg for, at dampmoppen er slukket, når den ikke er i brug.

Konfiguration

	FS MH 1321	FS MH 1351 SM	FS MH 13101 SM	FS MH 13151 SM	FS MH 1321 J	FS MH 13221 J M D	Anbefalede dampindstillinger
12	✓	✓	✓	✓	✓	✓	Alle
12a			✓	✓	✓	✓	Alle
12b				✓	✓	✓	Alle
13	✓	✓	✓	✓	✓	✓	Alle
16	✓	✓	✓	✓	✓	✓	Alle
18	✓	✓		✓	✓	✓	Alle
18a				✓	✓		Alle
19	✓	✓		✓	✓	✓	Alle
20	✓	✓	✓	✓			•
20a	✓	✓	✓	✓			•
21					✓	✓	•
21a					✓	✓	•
22			✓	✓		✓	Alle
22a			✓	✓		✓	Alle
22b			✓	✓		✓	Alle
22c			✓	✓		✓	Alle
23						✓	Alle
23a						✓	Alle
23b						✓	•
23c						✓	•

Aftagning af moppeklud

Forsigtig! Benyt altid egnet fodtøj, når du skifter moppeklud på din dampmoppe.

Brug ikke hjemmesko eller åbne sko.

- ◆ Sæt håndtaget (8) tilbage i lodret position, og sluk for dampmoppen med 'OFF'-knappen.
- ◆ Vent, til at dampmoppen er afkølet, før den sættes væk (ca. 5 minutter).
- ◆ Løft dampmoppen væk fra moppekluden og frigør den fra velcrolukningen.

Forsigtig! Lad aldrig dampmoppen blive stående på et sted på nogen form for overflade.

Stil altid dampmoppen med håndtaget (8) understøttet i lodret stilling, når den står stille og sørg for, at dampmoppen er slukket, når den ikke er i brug.

Påfyldning af vandbeholderen (Fig. Q)

Bemærk! Fyld vandbeholderen med rent vand fra hanen (Brug ikke tilsætningsstoffer eller kemikalier).

Bemærk! I områder med hårdt vand anbefales det at anvende deioniseret vand.

- ◆ Åbn hættten (4) ved at vippe den op.
- ◆ Fyld vandbeholderen med (Brug ikke tilsætningsstoffer eller kemikalier).

Advarsel! Under påfyldningen skal den tages af hoveddelen og holdes i en vandret position.

Advarsel! Vandbeholderen rummer 0.5 liter. Overfyld ikke beholderen.

- ◆ Luk hættten (4).

Bemærk! Sørg for, at hættten er sat forsvarligt på.

Montering af tæppeglideren (12b) (må kun bruges på tæpper)

- ◆ Læg tæppeglideren (12b) på gulvet.
- ◆ Sæt en moppeklud på gulvrensingsmundstykket (12)
- ◆ Pres forsigtigt dampmoppen ned på tæppeglideren (12b), indtil den klikker på plads.

Forsigtig! Lad aldrig dampmoppen blive stående på et sted på nogen form for overflade. Stil altid dampmoppen med håndtaget (8) understøttet i lodret stilling, når den står stille og sørg for, at dampmoppen er slukket, når den ikke er i brug.

Afmontering af tæppeglideren

Forsigtig! Benyt altid egnet fodtøj, når du skifter tæppeglideren på din dampmoppe. Brug ikke hjemmesko eller åbne sko.

- ◆ Sæt håndtaget (8) tilbage i lodret position, og sluk for dampmoppen med 'OFF'-knappen.
- ◆ Vent, til at dampmoppen er afkølet, før den sættes væk (ca. 5 minutter).
- ◆ Tryk fast på udløserpedalen til tæppeglideren med skosnuden.
- ◆ Løft dampmoppen op og væk fra tæppeglideren.

Forsigtig! Lad aldrig dampmoppen blive stående på et sted på nogen form for overflade. Stil altid dampmoppen med håndtaget (8) understøttet i lodret stilling, når den står stille og sørg for, at dampmoppen er slukket, når den ikke er i brug.

Montering af slangen og tilbehøret på den håndholdte damprenser (fig. G - O)

Advarsel! Inspicer forseglingen mellem forbindelsespunktet på den håndholdte damprenser (5) og dampslangen (16) inden hver brug. Hvis forseglingen har en defekt eller er beskadiget, kontaktes det nærmeste autoriserede serviceværksted. Apparatet må ikke bruges.

Advarsel! Enheden bør slukkes, inden slangen monteres.

Montering af slangen

- ◆ Tryk på udløserknappen til dampslangen (16a) på dampslangen (16).
- ◆ Slut dampslangen (16) til den håndholdte damprenser (5), og udløs udløserknappen til dampslangen (16a), mens du sørger for, at den klikker på plads.

Vigtigt! Sørg for, at dampslangen (16) er sluttet korrekt til den håndholdte damprenser (5). Hvis der kommer damp ud fra sammenslutningen, er slangen sat forkert på. Sluk enheden, lad den køle af, og genmonter slangen.

Montering af tilbehør (fig. H)

- ◆ Ret monteringsstederne på dampdysen (17) ind efter fordybningerne på tilbehøret.
- ◆ Tryk tilbehøret på dampdysen (17), og drej imod uret, indtil tilbehøret klikker på plads.

Vigtigt! Alt tilbehør, bortset fra SteaMitt™ (25), som har sin egen slange og forbindelse (26), skal sættes på dampslangen (16) ved brug.

Afmontering af slangen

Advarsel! Dampslangen (16), dampdysen (17) og tilbehør bliver varme under brug. Lad enheden og alt tilbehør køle af, før det forsøges fjernet.

Afmontering af tilbehør

- ◆ Drej tilbehøret med uret, og træk det derefter væk fra slangen (16).

Afmontering af slangen

- ◆ Tryk på udløserknappen til dampslangen (16a) på dampslangen (16), og træk den væk fra den håndholdte dampenhed.

SteaMitt™

Din BLACK+DECKER™ SteaMitt™ er designet til rensning og rengøring af fliser, bordplader, køkken- og badeværelsesoverflader. Apparatet er kun beregnet til indendørs brug i husholdninger.

Montering af SteaMitt™ slangen på den håndholdte dampnen

Advarsel! Inspicer forseglingen på dampdysen og slangen inden brug. Hvis forseglingen mangler eller er beskadiget, kontaktes det nærmeste autoriserede serviceværksted.

Apparatet må ikke bruges. Inspicer forseglingen på SteaMitt™ og slangen. Hvis forseglingen mangler eller er beskadiget, kontaktes det nærmeste autoriserede serviceværksted. **Apparatet må ikke bruges.** Kontroller, at der ikke er nogen blokering eller impedans i SteaMitt™ slangen eller monteringsslangen. Hvis nogen detekteres, kontaktes det nærmeste autoriserede serviceværksted. **Apparatet må ikke bruges.**

Montering af en moppeklud på SteaMitt™ (Fig. L)

Advarsel! Sørg for, at der ikke er nogen blokering eller impedans i dampfrigørelsesåbningerne. Hvis nogen detekteres, kontaktes det nærmeste autoriserede serviceværksted. **Apparatet må ikke bruges.**

- ◆ Sæt moppekluden (27) på SteaMitt™ (25) ved at fastgøre 'strop'-velcrostrimlerne (27a) på oversiden af moppekluden til 'krog'-velcropuderne (25a) på undersiden af SteaMitt™ (4). Tryk den godt ned.

Advarsel! SteaMitt™ bør ikke anvendes uden påmontering af en moppeklud.

Bemærk: SteaMitt™ har plads til 4 typer moppeklude af forskellig tykkelse. Skureklud (til brug på genstridige pletter og overflader, der ikke er sarte), badeværelsesklud (til brug på haner og andre formstøbte badeværelsesoverflader), standardklud (til brug på alle større overflader) og pudseklud (til brug på sarte overflader).

⚠ **Advarsel!** Brug altid SteaMitt™ som vist i figur M, med din hånd i den beskyttende handske.

⚠ **Advarsel!** Forsøg aldrig at bruge SteaMitt™ ved at tage fat om den eksternt, som vist i figur N. Dette vil resultere i skoldning.

⚠ **Advarsel!** Undgå at bruge SteaMitt™ i snævre hjørner, som vist i figur O.

⚠ **Advarsel!** Hvis der skulle opstå et problem under brug, bør du bruge den hurtige udløsningsstap til hurtigt at fjerne SteaMitt™ fra din hånd, som vist i figur P.

⚠ **Advarsel!** Brug ikke SteaMitt™ på koldt glas, f.eks. vinduer, da det pludselige temperaturskift kan forårsage skader.

⚠ **Advarsel!** Peg eller vend aldrig vanten mod dig selv eller andre personer.

Bemærk: Det anbefales at bruge SteamMitt i indstilling 1 for at undgå, at kluden bliver for våd.

Anvendelse

Vigtigt! Denne enhed dræber 99,9 % af bakterier og mikroorganismer, når den anvendes i overensstemmelse med instruktionerne i denne vejledning og med mikrofiberkludene monteret og en vedvarende brugstid på 90 sekunder.

Sådan tændes og slukkes værktøjet

- ◆ Tænd for apparatet ved at trykke på tænd/sluk-kontakten (1). Det tager ca. 15 sekunder for dampmoppen at varme op.
- ◆ Sluk for apparatet ved at trykke på tænd/sluk-kontakten (1).

Bemærk: hav altid din hånd inden i SteaMitt™, inden du trykker på dampknappen.

Forsigtigt! Lad aldrig dampmoppen blive stående på et sted på nogen form for overflade.

Stil altid dampmoppen med håndtaget (8) understøttet i lodret stilling, når den står stille og sørg for, at dampmoppen er slukket, når den ikke er i brug.




Forsigtigt! Tøm altid dampmoppen efter brug.

Bemærk! Når der påfyldes første gang, eller hvis der har været kørt tør, kan det tage op til 45 sekunder, før der frembringes damp.

Autoselect™-teknologi (fig. R)

Denne dampmoppe er udstyret med en Autoselect™-vælger (2), som viser forskellige rengøringsindstillinger. Disse bruges til at vælge den rigtige indstilling for det aktuelle rengøringsarbejde.

Vælg et af følgende anvendelsesområder med Autoselect™ ved at dreje vælgeren Autoselect™ (2), indtil den ønskede indstilling er valgt.

Indstilling	Moppe	Håndholdt
	Trælaminat	Lav dampflow ●
	Fiser/vinyl	Middel dampflow ● ●
	Sten/marmor	Høj dampflow ● ● ●

Dampmoppen indstiller den rigtige dampmængde til det aktuelle rengøringsarbejde.

Bemærk: Kontroller altid, at du bruger den korrekte indstilling, inden du bruger dampmoppen.

Damptryk (fig. C1) (kun tilgængeligt med enhederne FSMH1310SM, FSMH13151SM, FSMH1321J, FSMH1321JMD, FSMH1321JSM)

Gulvmundstykket (12a) er forsynet med en damptrykspedal som hjælp til fjernelse af genstridige mærker og pletter.

- ◆ Tryk under brug på damptrykspedalen for at anvende ekstra rengøringsstyrke.
- ◆ Tryk på pedalen igen for at vende tilbage til normal indstilling.

Gode råd mhp. optimal brug

Generelt

Forsigtig! Brug aldrig dampmoppen uden moppeklud.

- ◆ Støvsug eller fej altid gulvet, før du bruger dampmoppen.
- ◆ Den letteste måde at bruge apparatet på er at holde håndtaget i en 45° vinkel og rengøre et lille område ad gangen med langsomme bevægelser.
- ◆ Brug kun vand uden tilsætningsstoffer eller kemikalier med din dampmoppe. Hårdnakkede pletter på vinyl- eller linoleumsgulve kan forhandles med et mildt rensmiddel og vand, før du bruger dampmoppen.

Damprengøring med moppen

- ◆ Monter den håndholdte damprenser (5) på dampmoppekabinettet (11)
- ◆ Læg moppekluden (13) på gulvet med velcro 'strop'-siden opad.
- ◆ Prels dampmoppen let ned på moppekluden (13).
- ◆ Tilslut dampmoppen til ledningsnettet.
- ◆ Tryk på ON/OFF-knappen (1). Det tager ca. 15 sekunder for dampmoppen at varme op.
- ◆ Drej Autoselect™-knappen (2), indtil den ønskede indstilling nås. Efter få sekunder begynder der at komme damp ud af damphovedet.

Bemærk! Når der påfyldes første gang, eller hvis der har været kørt tør, kan det tage op til 45 sekunder, før der frembringes damp.

- ◆ Det tager nogle få sekunder for dampen at komme ind i moppekluden. Dampmoppen glider nu let hen over den overflade, der skal renses/rengøres.
- ◆ Skub og træk dampmoppen langsomt hen over overfladen for at gøre hvert enkelt afsnit grundigt rent med dampen.
- ◆ Når du er færdig med at bruge dampmoppen, drej håndtaget (8) til oprejst position og kontroller, at den er understøttet, før du slår den 'OFF'. Vent, til at dampmoppen er afkølet, før den sættes væk (ca. fem minutter).

Forsigtig! Det er vigtigt at holde øje med vandstanden i vandbeholderen. For at fylde vand i vandbeholderen og fortsætte med rensningen/rengøringen skal du kontrollere, at håndtaget er understøttet, før du slår dampmoppen fra med off-knappen. Træk stikket ud af stikkontakten i væggen, og fyld vandbeholderen.

Forsigtig! Lad aldrig dampmoppen blive stående på et sted på nogen form for overflade. Stil altid dampmoppen med håndtaget (8) understøttet i lodret stilling, når den står stille og sørg for, at dampmoppen er slukket, når den ikke er i brug.

Opfriskning af tæpper

- ◆ Læg moppekluden (13) på gulvet med 'strop'-siden opad.
- ◆ Pres dampmoppen let ned på moppekluden.
- ◆ Læg tæppeglideren (12b) på gulvet.
- ◆ Pres forsigtigt dampmoppen ned på tæppeglideren, indtil den klikker på plads.
- ◆ Tilslut dampmoppen til ledningsnettet.
- ◆ Tryk på ON/OFF-knappen (1). Det tager ca. 15 sekunder for dampmoppen at varme op.
- ◆ Drej Autoselect™-vælgeren (2) til træ/laminat-indstilling.
- ◆ Skub og træk dampmoppen langsomt hen over tæppet for grundigt at opfriske hvert afsnit.
- ◆ Når du er færdig med at bruge dampmoppen, drej håndtaget (8) til oprejst position, og sæt enheden på 'OFF'. Vent, til at dampmoppen er afkølet, før den sættes væk (ca. fem minutter).

Efter brug

- ◆ Drej Autoselect™-vælgeren (2) til OFF-positionen.
- ◆ Vent indtil dampmoppen er afkølet.
- ◆ Træk stikket til dampmoppen ud af stikkontakten i væggen.
- ◆ Tøm vandbeholderen.
- ◆ Tag moppekluden (13) af, og vask den, så den er klar til næste brug (sørg for at følge vaskeanvisningerne trykt på moppekluden).
- ◆ Vikl netkablet omkring kabelholderne (7 og 9).
- ◆ Der er et hængebeslag (15) indbygget i håndtaget (6), der gør det muligt at hænge din dampmoppe på en passende krog på væggen. Sørg altid for at bruge en vægkrog, der sikkert kan bære vægten af dampmoppen.

Håndholdt damprensning

Advarsel! Hold enheden i en vandret position under brug.

- ◆ Monter det ønskede tilbehør.
- ◆ Tilslut den håndholdte damprenser til ledningsnettet.
- ◆ Tryk på ON/OFF-knappen (1). Det tager ca. 15 sekunder for dampmoppen at varme op.
- ◆ Drej Autoselect™-knappen (2), indtil den ønskede indstilling nås. Efter få sekunder begynder der at komme damp ud af damphovedet.

Bemærk! Når der påfyldes første gang, eller hvis der har været kørt tør, kan det tage op til 45 sekunder, før der frembringes damp.

- ◆ Når du er færdig med at bruge den håndholdte damprenser, skal du sætte vælgeren Autoselect™ (2) i OFF-positionen. Sæt enheden på OFF ved at trykke på tænd/sluk-knappen (1) og koble den fra netforsyningen. Vent, til enheden køler ned, inden du opbevarer den (ca. fem minutter).

Tilbehør

Apparatets ydeevne afhænger af det anvendte tilbehør. Tilbehør fra BLACK+DECKER er fremstillet efter høje kvalitetsstandarder og er designet til at forbedre apparatets ydeevne. Når du bruger dette tilbehør, vil udstyret yde optimalt.

Tekniske data

FSMH1321		
Spænding	V _{ac}	230
El-	W	1300
Tankkapacitet	ml	500
Vægt	kg	2.7

FSMH1351SM		
Spænding	V _{ac}	230
El-	W	1300
Tankkapacitet	ml	500
Vægt	kg	2.7

FSMH13101SM		
Spænding	V _{ac}	230
El-	W	1300
Tankkapacitet	ml	500
Vægt	kg	2.8

FSMH13151SM		
Spænding	V _{ac}	230
El-	W	1300
Tankkapacitet	ml	500
Vægt	kg	2.8

FSMH1321J		
Spænding	V _{ac}	230
El-	W	1300
Tankkapacitet	ml	500
Vægt	kg	2.7

FSMH1321JSM		
Spænding	V _{ac}	230
El-	W	1300
Tankkapacitet	ml	500
Vægt	kg	2.8

FSMH1321JMD		
Spænding	V _{ac}	230
El-	W	1300
Tankkapacitet	ml	500
Vægt	kg	2.8

Problemløsning

Følg vejledningen nedenfor, hvis apparatet ikke synes at fungere korrekt. Hvis dette ikke løser problemet, bedes du kontakte det lokale BLACK+DECKER-værksted.

Problem	Trin	Mulig løsning
Dampmoppen starter ikke	1.	Kontroller at enheden er tilsluttet til vægkontakten.
	2.	Kontroller at enheden er slået til ved hjælp af ON/OFF kontakten (1)
	3.	Kontroller sikringen i stikket.
Dampmoppen producerer ingen damp	4.	Dampmoppen producerer kun damp, hvis den håndholdte damprensere (5) sidder korrekt i hoveddelen (11), eller dampslangen er monteret, eller Autoselect™ står på ON
	5.	Kontroller, at vandbeholderen er fuld. Bemærk: Når der påfyldes første gang, eller hvis den har været kørt tør, kan det tage op til 45 sekunder, før der frembringes damp.
	6.	Kontroller trin 1, derefter 2, derefter 3
Dampmoppen stopper med at producere damp under brug	7.	Kontroller trin 4, derefter 5, derefter 3
Dampmoppen producerer for meget damp under brug	8.	Drej vælgeren Autoselect™ (2) mod uret for at reducere den mængde damp, der produceres
Dampmoppen producerer for lidt damp under brug	9.	Drej vælgeren Autoselect™ (2) med uret for at øge den mængde damp, der produceres
Der produceres ingen damp fra den håndholdte damprensere	10.	Kontroller, at vælgeren Autoselect™ (2) er i ON-positionen
	11.	Kontroller trin 5, derefter 1, derefter 2, derefter 3
Den håndholdte damprensere producerer for lidt damp under brug	12.	Drej vælgeren Autoselect™ (2) med uret for at øge den mængde damp, der produceres
	13.	Kontroller trin 5
Den håndholdte damprensere producerer for meget damp under brug	14.	Drej vælgeren Autoselect™ (2) mod uret for at reducere den mængde damp, der produceres
Tilbehøret bliver ved med at falde af enheden	15.	Se kapitlet om montering for korrekt montering af alle dele og alt tilbehør
Der kommer damp fra uventede områder af enheden	16.	Se kapitlet om montering for korrekt montering af alle dele og alt tilbehør
Hvor kan jeg få yderligere oplysninger/tilbehør	17.	www.blackanddecker.co.uk/steammop www.blackanddecker.ie/steammop

Vedligeholdelse og rengøring

Dit BLACK+DECKER-apparat med ledning er beregnet til at fungere i en længere periode med minimal vedligeholdelse. Vedvarende tilfredsstillende funktion er afhængig af, om apparatet plejes korrekt og rengøres regelmæssigt.

Advarsel! Sluk apparatet og tag det ud af stikkontakten, før der udføres nogen form for vedligeholdelse eller rengøring.

- ◆ Tør dit apparat af med blød fugtig klud.
- ◆ Til hårdnakkede pletter kan du fugte kluden i en mild opløsning af sæbe og vand.

Pleje af moppekludene

Vaskevejledning – Der må ikke anvendes skyllemiddel – Lad moppekluden tørre helt, før den bruges igen.

Forsigtigt! Følg vaskevejledningen på mærket på moppekluden).

Udsiftning af netstik (kun Storbritannien og Irland)

Hvis et nyt lysnetstik skal monteres:

- ◆ Det gamle stik skal bortskaffes på en sikker måde.
- ◆ Slut den brune ledning til den strømførende klemme på det nye stik.
- ◆ Slut den blå ledning til den neutrale klemme.
- ◆ Slut den grønne/gule ledning til jordklemmen.

Advarsel! Følg de monteringsinstruktioner, der følger med stik af god kvalitet. Anbefalet sikring: 13A.

Miljøbeskyttelse



Særskilt bortskaffelse. Produkter og batterier mærket med dette symbol må ikke bortskaffes sammen med normalt husholdningsaffald.

Produkter og batterier indeholder materialer, der kan genvindes eller genbruges og således reducere efterspørgslen efter råvarer.

Genbrug venligst elektriske produkter og batterier i henhold til lokale bestemmelser. Yderligere oplysninger findes på www.2helpU.com

Garanti

Black & Decker er sikker på kvaliteten af sine produkter og tilbyder forbrugerne en garanti på 24 måneder fra købsdatoen. Garantien er et tillæg til forbrugerens lovmæssige rettigheder og påvirker ikke disse. Garantien er gyldig inden for medlemsstaterne af Den Europæiske Union og Det Europæiske Frihandelsområde.

Når du gør krav på garantien, skal kravet være i overensstemmelse med Black&Decker vilkår og betingelser, og du skal indsende dokumentation for købet til sælgeren eller til en autoriseret reparatør. Vilkår og betingelser for Black & Decker 2 års garanti og placeringen af dit nærmeste autoriserede serviceværksted kan fås på internettet på www.2helpU.com, eller ved at kontakte dit lokale Black & Decker kontor på den adresse, der er angivet i denne vejledning.

Besøg venligst vores websted www.blackanddecker.co.uk for at registrere dit nye Black & Decker produkt og modtage opdateringer om nye produkter og specielle tilbud.

Käyttötarkoitus

BLACK+DECKER™ FSMH1321, FSMH1351SM, FSMH13101SM, FSMH13151SM, FSMH1321J, FSMH1321JSM, FSMH1321JMD -höyrymoppi on tarkoitettu tiivistettyjen puu- ja laminaatti-, linoleumi-, vinyyli-, keramiikkalaatta-, kivi- ja marmorilattioiden puhdistamiseen ja desinfiointiin. Laitte on tarkoitettu ainoastaan sisätiloissa tapahtuvaan kotitalouskäyttöön.

Turvaohjeet



Varoitus! Lue kaikki turvallisuusvaroitukset ja ohjeet. Alla olevien varoitusten ja ohjeiden noudattamisen laiminlyönti saattaa johtaa sähköiskuun, tulipaloon ja/tai vakavaan loukkaantumiseen.



Varoitus! Sähkölaitteita käytettäessä on aina noudatettava asianmukaisia turvaohjeita, jotta tulipalojen, sähköiskujen, henkilövahinkojen ja materiaalivaurioiden riski olisi mahdollisimman pieni.

- ◆ Käyttötarkoitus kuvataan ohjeissa. Muiden kuin ohjeissa suositeltujen lisävarusteiden tai -osien käyttö sekä laitteen käyttö muuhun kuin oppaassa suositeltuun tarkoitukseen voi aiheuttaa henkilövahingon vaaran.
- ◆ Säilytä tämä käyttöohje tulevaa tarvetta varten.

Laitteen käyttö

- ◆ Älä suuntaa höyryä ihmisiin, eläimiin, sähkölaitteisiin tai pistorasioihin.
- ◆ Älä altista vesisateelle.
- ◆ Älä upota laitetta veteen.
- ◆ Älä jätä laitetta ilman valvontaa.

- ◆ Älä jätä laitetta kytkettynä pistorasiaan, kun se ei ole käytössä.
- ◆ Älä koskaan irrota laitetta pistorasiasta vetämällä virtajohdosta. Pidä laitteen virtajohto etäällä lämmönlähteistä, öljystä ja terävistä reunoista.
- ◆ Älä käsittele höyrypuhdistuslaitetta märin käsin.
- ◆ Älä vedä tai kanna laitetta johdosta, käytä johtoa kahvana, sulje johtoa oven väliin, vedä johtoa terävien reunojen päältä tai anna johdon koskettaa kuumia pintoja.
- ◆ Älä käytä laitetta suljetuissa tiloissa, joissa on öljypohjaisista maaliohenteista peräisin olevia höyryjä, koin torjunta-aineita, syttyvää pölyä tai muita räjähtäviä tai myrkyllisiä höyryjä.
- ◆ Tarkista lattian tyyppi sen valmistajalta.
- ◆ Älä puhdista laitteella nahkaa, vahattuja huonekaluja tai lattiaita, synteettisiä kuituja, samettia tai muita herkkiä, höyrylle alttiita materiaaleja.



Varoitus! Älä puhdista laitteella tiivistämättömiä puu- tai laminaattilattioita. Joillakin vahalla käsitellyillä pinnoilla ja joidenkin vahaamattomien lattioiden tapauksessa lämpö ja höyry voivat poistaa kiillon. Suosittelemme laitteen kokeilemista puhdistettavan pinnan erillisellä alueella ennen jatkamista. Suosittelemme myös, että perehdyt lattian valmistajan käyttö- ja hoito-ohjeisiin.

- ◆ Älä koskaan lisää kalkinpoistoainetta sisältäviä, aromaattisia, alkoholipitoisia tai puhdistusainetta sisältäviä tuotteita höyrypuhdistimeen, sillä ne voivat vahingoittaa laitetta tai vaarantaa sen käytön.
- ◆ Jos virrankatkaisin aktivoituu höyrytoiminnon käytön aikana, lopeta välittömästi laitteen käyttö ja ota yhteyttä asiakaspalvelukeskukseen. (Varo sähköiskun vaaraa.)
- ◆ Laite tuottaa erittäin kuumaa höyryä käyttöalueen puhdistamista varten. Tämä tarkoittaa, että höyrytyspää, puhdistuslevyt ja mattolisälaite kuumentuvat käytön aikana.

Huomio! Käytä aina sopivia kenkiä höyrymopin käytön ja sen lisälaitteiden vaihdon aikana. Älä käytä sandaaleja tai kärjestään avoimia jalkineita.

- ◆ Kansi voi kuumentua käytön aikana.
- ◆ Laitteesta voi nousta höyryä käytön aikana. Laitetta käytettäessä on noudatettava varovaisuutta. ÄLÄ kosketa osia, jotka voivat kuumentua käytön aikana.
- ◆ Sammuta laite ja palauta kahva pystyasentoon, ennen kuin irrotat vesisäiliön.
- ◆ Jos kädessä pidettävän höyrypuhdistuslaitteen rungosta nousee höyryä, katkaise laitteen virta, irrota laite pistorasiasta ja anna sen jäähtyä. Ota yhteyttä lähimpään valtuutettuun huoltoliikkeeseen. Älä jatka laitteen käyttöä.

Käytön jälkeen

- ◆ Irrota laite verkkovirrasta ja anna sen jäähtyä ennen puhdistamista.
- ◆ Kun laitetta ei käytetä, se on säilytettävä kuivassa paikassa.
- ◆ Pidä laite lasten ulottumattomissa.

Tarkastus ja korjaus

- ◆ Irrota laite verkkovirrasta ja anna sen jäähtyä ennen ylläpito- tai huoltotoimenpiteiden suorittamista.
- ◆ Tarkista ennen laitteen käyttöä, ettei laitteessa ole vahingoittuneita tai viallisia osia. Tarkista osien ja kytkimien kunto sekä muut seikat, jotka voivat vaikuttaa laitteen toimintaan.
- ◆ Tarkista säännöllisesti, ettei virtajohto ole vahingoittunut.
- ◆ Älä käytä laitetta, jos jokin sen osa on vahingoittunut tai viallinen.
- ◆ Korjauta tai vaihdata vaurioituneet tai vialliset osat valtuutetussa huoltoliikkeessä.
- ◆ Älä yritä korjata tai vaihtaa muita kuin tässä käyttöohjeessa erikseen määriteltäviä osia.

Muiden henkilöiden turvallisuus

- ◆ Tämä laite soveltuu yli 8-vuotiaiden lasten ja sellaisten henkilöiden käyttöön, joilla on fyysisiä tai älyllisiä rajoitteita tai aistirajoitteita, kuten myös laitteen toimintaan perehtymättömien henkilöiden käyttöön, jos heitä valvotaan tai jos he ovat saaneet laitteen turvalliseen käyttöön liittyvää opastusta ja ymmärtävät laitteen käyttöön liittyvät vaarat. Älä anna

lasten leikkiä laitteella. Puhdistus- ja huoltotoimia ei saa jättää lapsille ilman valvontaa.

- ◆ Lapsia tulee valvoa ja varmistaa, että he eivät leiki laitteella.

Jäännösriskit

Myös muut kuin turvavaroituksissa mainitut riskit ovat mahdollisia laitetta käytettäessä. Nämä riskit voivat liittyä muun muassa virheelliseen tai pitkäaikaiseen käyttöön. Tiettyjä jäännösriskejä ei voi välttää, vaikka noudatat kaikkia turvamääräyksiä ja käytät turvalaitteita. Näitä ovat:

- ◆ liikkuvien osien koskettamisen aiheuttamat vahingot
- ◆ kuumien osien koskettamisen aiheuttamat vahingot
- ◆ osia tai lisälaitteita vaihdettaessa aiheutuneet vahingot
- ◆ laitteen pitkäaikaisen käytön aiheuttamat vahingot. Kun käytät laitetta pitkään, varmista, että pidät säännöllisesti taukoja.

Sähköturvallisuus



Varoitus! Laitteen saa kytkeä ainoastaan maadoitettuun pistorasiaan. Tarkista aina, että verkkovirran jännite vastaa tyyppikilpeen merkittyä jännitettä.

Virtajohton pistokkeen tulee sopia pistorasiaan. Älä koskaan tee pistokkeeseen mitään muutoksia. Sähköiskun vaara vähenee, jos pistokkeisiin ei tehdä muutoksia ja ne

yhdistetään vain niille tarkoitettuihin pistorasioihin.

- Jos virtajohto vahingoittuu, sen vaihtaminen on turvallisuussyistä jätettävä valmistajan tai valtuutetun BLACK+DECKER-huollon tehtäväksi.

Luokan 1 tuote ja jatkojohdot

- Luokan 1 laite edellyttää maadoitetun, 3-johdimisen virtajohdon käyttämistä.
- Laitteen kanssa voidaan käyttää enintään 30 m pitkää jatkojohtoa ilman tehon heikkenemistä.

Laitteessa olevat merkinnät

Laitteessa on seuraavat merkit sekä päivämääräkoodi.



HUOMIO Kuuma höyry.
Palamisvaara.



Vesi valuu ylösalaisin
käytettynä



Höyryä tulee kaikilta
puolilta



Ei saa jättää ilman
valvontaa lasten ollessa
paikalla



Pese 60 °C lämpötilassa.
Älä käytä valkaisu- tai
huuhteluainetta



Huomio! Kuuma pinta

Yleiskuvaus

Tässä laitteessa on kaikki tai joitakin seuraavista ominaisuuksista.

1. Virtakytkin
2. Autoselect™-säädin
3. Käsin pidettävän höyrytysyksikön kahva
4. Säiliön korkki

5. Käsin pidettävä höyrytysyksikkö
6. Kahva
7. Ylempi johtokoukku
8. Pääkahva
9. Alempi johtokoukku
10. Käsin pidettävän höyrytysyksikön vapautuspainike
11. Päärunko
12. Lattian puhdistuspää
- 12a. Höyrytyksen lattian puhdistuspää
- 12b. Mattokappale (käytettävä mattoihin)
13. Lattian puhdistuslevy
14. Lattian puhdistuslevyn vapautussalpa
15. Ripustuspidike
16. Höyryletku
17. Höyrysuutin
18. Kulmaharja (käytettävä vaikeisiin tahroihin)
- 18a. Kulmaharja BBQ (teräsharja)
19. Harjasuulake (käytettäväksi laattoihin/laastiin)
20. Kumilasta (käytettävä suihkuseiniin/lasiin/peileihin/tekstiileihin/verhoiluun)
- 20a. Kumilastapussi
21. Suuri kumilasta (käytettävä suihkuseiniin/lasiin/peileihin/tekstiileihin/verhoiluun)
- 21a. Suuri kumilastapussi
22. Höyrytyksen harjaysikkö
- 22a. Höyrytyksen teräsharja (käytettävä grilleihin/uuneihin)
- 22b. Höyrytyksen harja (käytettävä grilleihin/uuneihin/keittotasoihin/hanoihin/laastiin)
- 22c. Höyrytyksen leveä harja (käytettävä suuriin työpintoihin)
23. Delta-pää (käytettävä tekstiiliin/verhoiluun/suuriin työpintoihin)
- 23a. Tasaisen pinnan puhdistuslevy
- 23b. Tekstiilin höyrytyksen liittämä (käytettävä tekstiiliin/verhoiluun)
- 23c. Tekstiilin höyrytysharja (käytettävä tekstiiliin/verhoiluun)
- 23d. Tekstiilin höyrytyslevy (käytettävä tekstiiliin/verhoiluun)
- 23e. Delta-pään mattokappale
25. SteaMitt™
26. SteaMitt™ -letku
27. SteaMitt™ -puhdistuslevy
- 27a. SteaMitt™ -puhdistuslevy 2
- 27b. SteaMitt™ -puhdistuslevy 3
28. Säädettävä suulake

Kokoonpano

	F S M H 1 3 2 1	F S M H 1 3 5 1 S M	F S M H 1 3 1 0 1 S M	F S M H 1 3 1 5 1 S M	F S M H 1 3 2 1 J	F S M H 1 3 2 1 J S M	F S M H 1 3 2 1 J M D	Suosittelut höyryasetukset
12	✓	✓	✓	✓	✓	✓	✓	Kaikki
12a			✓	✓	✓	✓	✓	Kaikki
12b				✓	✓	✓	✓	Kaikki
13	✓	✓	✓	✓	✓	✓	✓	Kaikki
16	✓	✓	✓	✓	✓	✓	✓	Kaikki
18	✓	✓		✓	✓	✓		Kaikki
18a				✓	✓	✓		Kaikki
19	✓	✓			✓	✓		Kaikki
20	✓	✓	✓	✓				-
20a	✓	✓	✓	✓				-
21					✓	✓	✓	-
21a					✓	✓	✓	-
22			✓	✓			✓	Kaikki
22a			✓	✓			✓	Kaikki
22b			✓	✓			✓	Kaikki
22c			✓	✓			✓	Kaikki
23							✓	Kaikki
23a							✓	Kaikki
23b							✓	-
23c							✓	-
23d							✓	-
23e							✓	-
25		✓	✓	✓		✓	✓	-
26		✓	✓	✓		✓	✓	-
27		✓	✓	✓		✓	✓	-
27a							✓	-
27b							✓	-
28				✓	✓	✓	✓	Kaikki

runkoon (11) varmistamalla, että se on oikein kiinnitetty liitoskohtaan (11a) ja se napsahtaa paikalleen.

Käsin pidettävän höyrypuhdistuslaitteen irrottaminen (kuva B)

- ◆ Paina päärungon (11) vapautuspainiketta (10) ja nosta käsin pidettävä höyrypuhdistuslaite (5) irti liitoksesta (11a) ja pois päärungosta (11).

Puhdistuslevyn kiinnittäminen (kuva C)

Vaihtopuhdistuslevyjä saat BLACK+DECKER-jälleenmyyjältä (tuotenro FSMP20-XJ).

- ◆ Aseta puhdistuslevy (13) lattialle niin, että tarranauhapuoli on ylöspäin.
- ◆ Paina höyrymoppi kevyesti puhdistuslevyn (13) päälle.

Huomautus: Tämä yksikkö voi sisältää vakioimallisen lattian puhdistuspään (12) tai höyrytyksen puhdistuspään (12a). Asenna puhdistuslevy joka tapauksessa näiden ohjeiden mukaisesti.

Huomio! Älä jätä höyrymoppia pidemmäksi ajaksi yhteen paikkaan. Aseta höyrymoppi paikoilleen aina niin, että kahva (8) on pystyasennossa. Varmista, että höyrymopin virta on katkaistu, kun laite ei ole käytössä.

Puhdistuslevyn irrottaminen

Huomio! Käytä aina sopivia kenkiä höyrymopin puhdistuslevyn vaihdon aikana.

Älä käytä sandaaleja tai kärjestään avoimia jalkineita.

- ◆ Palauta kahva (8) pystyasentoon ja katkaise höyrymopin virta.
- ◆ Odota, kunnes höyrymoppi on jäähtynyt (n. 5 minuuttia).
- ◆ Nosta höyrymoppi pois puhdistuslevystä ja irrota se tarranauhakiinnityksestä.

Huomio! Älä jätä höyrymoppia pidemmäksi ajaksi yhteen paikkaan.

Aseta höyrymoppi paikoilleen aina niin, että kahva (8) on pystyasennossa. Varmista, että höyrymopin virta on katkaistu, kun laite ei ole käytössä.

Vesisäiliön täyttäminen (kuva Q)

Huomautus! Täytä vesisäiliö puhtaalla hanavedellä (älä käytä kemikaaleja tai lisäaineita).

Huomautus! Jos vesi on kovaa, suosittelemme deionisoidun veden käyttöä.

- ◆ Avaa säiliön kansi (4) kääntämällä se ylös.
- ◆ Täytä vesisäiliö vedellä (älä käytä kemikaaleja tai lisäaineita).

Varoitus! Kun haluat täyttää säiliön, irrota se pääyksiköstä ja pidä se vaaka-asennossa.

Varoitus! Vesisäiliön tilavuus on 0,5 litraa. Älä täytä säiliötä liikaa.

- ◆ Sulje säiliön kansi (4).

Asennus



Varoitus! Ennen kuin yrität suorittaa mitään seuraavista toimenpiteistä, varmista, että laitteen virta on katkaistu, sähköpistoke on irrotettu sähköverkosta, laite on kylmä eikä se sisällä vettä.

Kahvan kiinnittäminen (kuva A)

- ◆ Työnnä kahvan (8) alaosa höyrymopin rungon (11) yläosaan niin, että se napsahtaa paikalleen.

Käsin pidettävän höyrypuhdistuslaitteen kiinnittäminen (kuva B)

- ◆ Tartu höyrymopin rungon (11) takaosaan ja työnnä käsin pidettävä höyrypuhdistuslaite (5) tukevasti höyrymopin

Huomautus! Varmista, että säiliön kansi on kunnolla paikallaan.

Mattokappaleen kiinnittäminen (12b) (vain mattoihin)

- ◆ Aseta mattokappale (12b) lattialle.
- ◆ Kiinnitä puhdistuslevy lattian puhdistuspäähän (12).
- ◆ Paina höyrymoppi kevyesti mattokappaleen (12b) päälle niin, että se napsahtaa paikalleen.

Huomio! Älä jätä höyrymoppia pidemmäksi ajaksi yhteen paikkaan. Aseta höyrymoppi paikoilleen aina niin, että kahva (8) on pystyasennossa. Varmista, että höyrymopin virta on katkaistu, kun laite ei ole käytössä.

Mattokappaleen irrottaminen

Huomio! Käytä aina sopivia kenkiä höyrymopin mattokappaleen vaihdon aikana. Älä käytä sandaaleja tai kärjestään avoimia jalkineita.

- ◆ Palauta kahva (8) pystyasentoon ja katkaise höyrymopin virta.
- ◆ Odota, kunnes höyrymoppi on jäähtynyt (n. 5 minuuttia).
- ◆ Aseta kenkäsi kärki mattokappaleen irrotuskielekkeen päälle ja paina sitä voimakkaasti.
- ◆ Nosta höyrymoppi irti mattokappaleesta.

Huomio! Älä jätä höyrymoppia pidemmäksi ajaksi yhteen paikkaan. Aseta höyrymoppi paikoilleen aina niin, että kahva (8) on pystyasennossa. Varmista, että höyrymopin virta on katkaistu, kun laite ei ole käytössä.

Letkun ja lisävarusteiden kiinnittäminen käsin pidettävään höyrypuhdistuslaitteeseen (kuvat G ja O)

Varoitus! Tarkista käsin pidettävän höyrypuhdistuslaitteen (5) ja höyryletkun (16) välinen liittämä ennen jokaista käyttökertaa. Jos sinetti on virheellinen tai se on vahingoittunut, ota yhteyttä lähimpään valtuutettuun huoltoliikkeeseen. Älä käytä laitetta.

Varoitus! Laite tulee sammuttaa ennen letkun liittämistä.

Letkun kiinnittäminen

- ◆ Paina höyryletkun vapautuspainiketta (16a) höyryletkussa (16).
- ◆ Liitä höyryletku (16) käsin pidettävään höyrypuhdistuslaitteeseen (5) ja vapauta höyryletkun vapautuspainike (16a) varmistaen, että se napsahtaa paikoilleen.

Tärkeää! Varmista, että höyryletku (16) on kiinnitetty tiukasti käsin pidettävään höyrypuhdistuslaitteeseen (5). Jos liitoksesta tulee höyryä, letku on asennettu oikein. Sammuta laite ja anna sen jäähtyä, irrota ja asenna letku sen jälkeen.

Lisävarusteiden kiinnittäminen (kuva H)

- ◆ Kohdista höyrysuuttimessa (17) olevat korvakkeet lisävarusteessa oleviin syvennyksiin.

- ◆ Paina lisävaruste höyrysuuttimeen (17) ja kierrä lisävarustetta vastapäivään, kunnes se napsahtaa paikalleen.

Tärkeää! Kaikki sellaiset lisävarusteet, SteaMitt™ (25) -varustetta lukuun ottamatta, joissa on erillinen letku ja liitin (26), tulee liittää höyryletkuun (16) käyttöä varten.

Letkun ja lisävarusteiden irrottaminen

Varoitus! Höyryletku (16), höyrysuutin (17) ja lisävarusteet kuumenevat käytön aikana. Anna laitteen ja kaikkien lisävarusteiden jäähtyä ennen niiden irrottamista.

Lisävarusteen irrottaminen

- ◆ Kierrä lisävarustetta myötäpäivään ja vedä sitä letkusta (16) pois päin.

Letkun irrottaminen

- ◆ Paina höyryletkussa (16) olevaa höyryletkun vapautuspainiketta (16a) ja vedä se irti käsin pidettävään höyrytysyksiköstä.

SteaMitt™

BLACK+DECKER™ SteaMitt™ on tarkoitettu laattojen, työtasojen sekä keittiön ja kylpyhuoneen pintojen puhdistamiseen ja desinfiointiin. Laite on tarkoitettu ainoastaan sisätiloissa tapahtuvaan kotitalouskäyttöön.

SteaMitt™ -letkun liittämisen käsin pidettävään höyrytysyksikköön

Varoitus! Tarkista höyrysuuttimen ja letkun sinetti ennen jokaista käyttökertaa. Jos sinetti puuttuu tai se on vahingoittunut, ota yhteyttä lähimpään valtuutettuun huoltoliikkeeseen. **Älä käytä laitetta.** Tarkista SteaMitt™ -laitteen tiiviste ja letku. Jos tiiviste puuttuu tai se on vaurioitunut tai jos laitteesta pääsee höyryä, ota yhteyttä lähimpään valtuutettuun huoltoliikkeeseen. **Älä käytä laitetta.** Varmista, ettei SteaMitt™ -laitteen letkussa tai liitosletkussa ole tukoksia tai esteitä. Jos havaitset tukoksia, ota yhteyttä lähimpään valtuutettuun huoltoliikkeeseen. **Älä käytä laitetta.**

Puhdistuslevyn asentaminen SteaMitt™ -laitteeseen (kuva L)

Varoitus! Varmista, ettei höyrypoistoaukoissa ole tukoksia tai esteitä. Jos tukoksia havaitaan, ota yhteyttä lähimpään valtuutettuun huoltoliikkeeseen. **Älä käytä laitetta.**

- ◆ Kiinnitä puhdistuslevy (27) SteaMitt™ (25) -laitteeseen kiinnittämällä puhdistuslevyn yläosassa olevien tarranauhojen (27a) 'silmuksia' tarranauhojen (25a) 'koukkuun', joka on SteaMitt™ (4) -laitteen alaosassa. Paina lujasti.

Varoitus! SteaMitt™ -laitetta ei saa käyttää ilman puhdistuslevyä.

Huomautus: SteaMitt™-laitteessa voidaan käyttää neljänlaisia puhdistuslevyjä, joiden paksuus vaihtelee. Hankauslevy (vaikeisiin tahroihin ja kestäviin pintoihin), Pesuhuoneen levy (hanoihin ja muihin muotoiltuihin kylpyhuoneen pintoihin), peruslevy (kaikkiin suurempiin pintoihin) ja kiillotuslevy (arkalaatuisiin pintoihin).

⚠ **Varoitus!** Käytä aina SteaMitt™-laitetta kuvan M mukaisesti pitäen kättä suojahanskan sisällä.

⚠ **Varoitus!** Älä koskaan yritä käyttää SteaMitt™-laitetta tarttumalla siihen ulkoapäin kuvan F mukaisesti. Muutoin seurauksena on palovamma.

⚠ **Varoitus!** Vältä käyttämästä SteaMitt™-laitetta tiukissa nurkissa kuvan O mukaisesti.

⚠ **Varoitus!** Jos käytön aikana esiintyy ongelmia, poista SteaMitt™ -laite nopeasti kädestä käyttäen pikavapautussalppaa kuvan P mukaisesti.

⚠ **Varoitus!** Älä käytä SteaMitt™-laitetta kylmään lasiin (kuten ikkunoihin), sillä äkillinen lämpötilamuutos voi aiheuttaa vaurioita.

⚠ **Varoitus!** Älä koskaan kohdista tai suuntaa puhdistusalustaa itseesi tai muihin päin.

Huomautus: SteamMitt-laitetta kannattaa käyttää asetuksella 1, jotta levy ei kastuisi liikaa.

Käyttö

Tärkeää! Tämä laite tappaa 99,9 % bakteereista ja basilleista, kun sitä käytetään tämän oppaan ohjeiden mukaisesti 90 sekunnin ajan mikrokiuitulevyt asennettuna.

Käynnistäminen ja sammuttaminen

- ◆ Kytke laite päälle painamalla virtakytkintä (1). Höyrymoppi lämpenee noin 15 sekunnissa.
- ◆ Kytke laite pois päältä painamalla virtakytkintä (1).

Huomautus: Aseta käsi aina SteaMitt™-laitteen sisälle ennen kuin painat höyryspainiketta.

Huomio! Älä jätä höyrymoppia pidemmäksi ajaksi yhteen paikkaan.

Aseta höyrymoppi paikoilleen aina niin, että kahva (8) on pystyasennossa. Varmista, että höyrymopin virta on katkaistu, kun laite ei ole käytössä.

Huomio! Tyhjennä höyrymoppi aina käytön jälkeen.

Huomautus! Höyryn muodostuminen voi kestää 45 sekuntia ensimmäisen täyden tai kuivakäytön jälkeen.

Autoselect™-teknologia (kuva R)

Tässä höyrymopissa on Autoselect™-säädin (2), joka näyttää eri puhdistussovellukset. Näiden avulla voidaan valita puhdistustehtävän kannalta oikea toimintatila.

Autoselect™-painikkeen avulla voidaan valita seuraavat sovellukset. Käännä Autoselect™-säädintä (2), kunnes haluttu asetus on valittuna.

Asetus	Moppi	Käsin pidettävä
	Puu/laminaatti	Matala höyryvirta ●
	Laatta/vinyyli	Keskivoimakas höyryvirta ● ●
	Kivi/marmori	Voimakas höyryvirta ● ● ●

Höyrymoppi valitsee puhdistustehtävän kannalta oikean määrän höyryä.

Huomautus: Tarkista aina ennen höyrymopin käyttöä, että käytät oikeaa asetusta.

Höyrytys (kuva C1) (käytettävissä vain malleissa FSMH1310SM, FSMH13151SM, FSMH1321J, FSMH1321JMD, FSMH1321JSM)

Lattiapäässä (12a) on höyrytyspoljin, joka helpottaa pinttyneiden tahrojen poistamista.

- ◆ Paina käytön aikana höyrytyspoljinta, jos tarvitset suurempaa puhdistustehoa.
- ◆ Voit palata takaisin normaaliin asetukseen painamalla poljinta uudelleen.

Vinkkejä parhaimman tuloksen saavuttamiseksi

Yleistä

Huomio: Älä koskaan käytä höyrymoppia ilman puhdistuslevyä.

- ◆ Imuroi tai lakaise lattia aina ennen höyrymopin käyttöä.
- ◆ Helpoin tapa käyttää laitetta on kallistaa kahva 45° asteen kulmaan ja puhdistaa hitaasti pieni alue kerrallaan.
- ◆ Käytä höyrymopissa ainoastaan vettä. Älä käytä lisäaineita tai kemikaaleja. Vinyyli- tai linoleumilattoilla olevat pinttyneet tahrat voidaan poistaa käsittelemällä ne miedolla puhdistusaineella ja vedellä ennen höyrymopin käyttöä.

Höyrypuhdistus mopin avulla

- ◆ Kiinnitä käsin pidettävä höyrypuhdistuslaite (5) höyrymopin runkoon (11).
- ◆ Aseta puhdistuslevy (13) lattialle niin, että tarranahapuoli on ylöspäin.
- ◆ Paina höyrymoppi kevyesti puhdistuslevyn (13) päälle.
- ◆ Kytke höyrymoppi verkkovirtaan.
- ◆ Paina virtakytkintä (1). Höyrymoppi lämpenee noin 15 sekunnissa.

- ◆ Kierrä Autoselect™ -säädintä (2), kunnes saavutat vaaditun asetuksen. Muutaman sekunnin kuluttua höyrytyspäästä alkaa nousta höyryä.

Huomautus! Höyryn muodostuminen voi kestää 45 sekuntia ensimmäisen täytön tai kuivakäytön jälkeen.

- ◆ Kestää muutaman sekunnin, ennen kuin höyry pääsee puhdistuslevyyn. Höyrymoppi liukuu nyt kevyesti puhdistettavan tai desinfiotavan pinnan yli.
- ◆ Puhdista pinta perusteellisesti liikuttamalla höyrymoppia hitaasti työntämällä ja vetämällä.
- ◆ Aseta kahva (8) takaisin pystyasentoon höyrymopin käytön jälkeen varmistaen, että se on tuettuna. Katkaise laitteen virta. Odota, kunnes höyrymoppi on jäähtynyt (noin viisi minuuttia).

Huomio! On tärkeää valvoa vesisäiliössä olevan veden määrää. Jos haluat täyttää vesisäiliön ja jatkaa puhdistamista tai desinfiointia, aseta moppi pystyasentoon ja varmista, että kahva on tuettuna, katkaise höyrymopin virta. Irrota laite pistorasiasta ja täytä vesisäiliö.

Huomio! Älä jätä höyrymoppia pidemmäksi ajaksi yhteen paikkaan. Aseta höyrymoppi paikoilleen aina niin, että kahva (8) on pystyasennossa. Varmista, että höyrymopin virta on katkaistu, kun laite ei ole käytössä.

Mattojen siistiminen

- ◆ Aseta puhdistuslevy (13) lattialle niin, että silmukkapuoli on ylöspäin.
- ◆ Paina höyrymoppi kevyesti puhdistuslevyn päälle.
- ◆ Aseta mattokappale (12b) lattialle.
- ◆ Paina höyrymoppi kevyesti mattokappaleen päälle niin, että se napsahtaa paikalleen.
- ◆ Kytke höyrymoppi verkkovirtaan.
- ◆ Paina virtakytkintä (1). Höyrymoppi lämpenee noin 15 sekunnissa.
- ◆ Kierrä Autoselect™-säädin (2) Puu/laminaatti-asetuksen kohdalle.
- ◆ Siisti matto perusteellisesti liikuttamalla höyrymoppia hitaasti työntämällä ja vetämällä.
- ◆ Aseta kahva (8) takaisin pystyasentoon höyrymopin käytön jälkeen ja katkaise laitteesta virta. Odota, kunnes höyrymoppi on jäähtynyt (noin viisi minuuttia).

Käytön jälkeen

- ◆ Kierrä Autoselect™-säädin (2) pois päältä.
- ◆ Odota, kunnes höyrymoppi on jäähtynyt.
- ◆ Irrota höyrymoppi pistorasiasta.
- ◆ Tyhjennä vesisäiliö.
- ◆ Poista puhdistuslevy (13) ja pese se valmiiksi seuraavaa käyttökertaa varten (noudata puhdistuslevyn painettuja pesuohjeita).
- ◆ Kiedo virtajohto johtokoukujen (7 ja 9) ympärille.
- ◆ Kädensijassa (6) on ripustuspidike (15), jonka avulla höyrymoppi voidaan ripustaa seinällä olevaan koukkuun.

Varmista aina, että seinäkoukku pystyy kantamaan höyrymopin painon turvallisesti.

Puhdistaminen käsin pidettävän höyrypuhdistuslaitteen avulla

Varoitus! Pidä laitetta vaaka-asennossa käytön aikana.

- ◆ Kiinnitä tarvittava lisävaruste.
- ◆ Kytke käsin pidettävä höyrypuhdistuslaite pistorasiaan.
- ◆ Paina virtakytkintä (1). Höyrymoppi lämpenee noin 15 sekunnissa.
- ◆ Kierrä Autoselect™-säädintä (2), kunnes saavutat vaaditun asetuksen. Muutaman sekunnin kuluttua höyrytyspäästä alkaa nousta höyryä.

Huomautus! Höyryn muodostuminen voi kestää 45 sekuntia ensimmäisen täytön tai kuivakäytön jälkeen.

- ◆ Kun olet lopettanut käsin pidettävän höyrypuhdistuslaitteen käytön, käännä Autoselect™-säädin (2) pois päältä. Kytke laite pois päältä painamalla virtapainiketta (1) ja irrota se pistorasiasta. Odota, että laite jäähtyy ennen sen asettamista säiliöön (noin viisi minuuttia).

Lisävarusteet

Laitteen suorituskyky riippuu käytetystä lisävarusteesta. Korkealaatuiset BLACK+DECKER-lisävarusteet on suunniteltu parantamaan laitteen suorituskykyä. Käyttämällä näitä lisävarusteita saat laitteestasi parhaan hyödyn.

Tekniset tiedot

FSMH1321		
Jännite	V _{ac}	230
Sähkötökalut	W	1300
Säiliön tilavuus	ml	500
Paino	kg	2,7

FSMH1351SM		
Jännite	V _{ac}	230
Sähkötökalut	W	1300
Säiliön tilavuus	ml	500
Paino	kg	2,7

FSMH13101SM		
Jännite	V _{ac}	230
Sähkötökalut	W	1300
Säiliön tilavuus	ml	500
Paino	kg	2,8

FSMH13151SM		
Jännite	V _{ac}	230
Sähkötökalut	W	1300
Säiliön tilavuus	ml	500
Paino	kg	2,8

FSMH1351SM		
Jännite	V _{ac}	230
Sähkötökalut	W	1300
Säiliön tilavuus	ml	500
Paino	kg	2,7
FSMH1310ISM		
FSMH1321J		
Jännite	V _{ac}	230
Sähkötökalut	W	1300
Säiliön tilavuus	ml	500
Paino	kg	2,7
FSMH1321JSM		
Jännite	V _{ac}	230
Sähkötökalut	W	1300
Säiliön tilavuus	ml	500
Paino	kg	2,8

FSMH1321JMD		
Jännite	V _{ac}	230
Sähkötökalut	W	1300
Säiliön tilavuus	ml	500
Paino	kg	2,8

Vianetsintä

Jos laite ei näytä toimivan oikein, noudata seuraavia ohjeita. Jos tämä ei auta, ota yhteys paikalliseen BLACK+DECKER-huoltoliikkeeseen.

Ongelma	Vaihe	Mahdollinen ratkaisu
Höyrymoppia ei ole kytketty päälle	1.	Tarkista, että laite on kytketty pistorasiaan.
	2.	Tarkista, että laite on kytketty päälle virtakytkimestä (1)
	3.	Tarkista pistokkeen sulake.
Höyrymoppi ei tuota höyryä	4.	Höyrymoppi tuottaa höyryä vain silloin, kun käsin pidettävä höyrypuhdistuslaite (5) on asennettu oikein päärunkoon (11) tai höyryletku on liitetty tai Autoselect™ on kytketty päälle.
	5.	Tarkista, että vesisäiliö on täysi. Huomautus: Höyryn muodostuminen voi kestää 45 sekuntia ensimmäisen täyten tai kuivakäytön jälkeen.
	6.	Tarkista kohta 1, 2 ja 3.
Höyrymoppi lakkaa tuottamasta höyryä käytön aikana	7.	Tarkista kohta 4, 5 ja 3.
	8.	Käännä Autoselect™-säädintä (2) vastapäivään höyrytystehon laskemiseksi.
Höyrymoppi tuottaa liian paljon höyryä käytön aikana	9.	Käännä Autoselect™-säädintä (2) myötäpäivään höyrytystehon lisäämiseksi.
	10.	Tarkista, että Autoselect™-säädin (2) on kytketty päälle.
Käsin pidettävä höyrypuhdistuslaite ei tuota höyryä	11.	Tarkista kohta 5 ja sen jälkeen 1, 2 ja 3.

Ongelma	Vaihe	Mahdollinen ratkaisu
Käsin pidettävä höyrypuhdistuslaite tuottaa liian vähän höyryä käytön aikana	12.	Käännä Autoselect™-säädintä (2) myötäpäivään höyrytystehon lisäämiseksi.
	13.	Tarkista kohta 5
Käsin pidettävä höyrypuhdistuslaite tuottaa liian paljon höyryä käytön aikana	14.	Käännä Autoselect™-säädintä (2) vastapäivään höyrytystehon laskemiseksi.
	15.	Katso laitteen osien ja lisävarusteiden asennusohjeet asennuskappaleesta.
Lisävarusteet irtoavat laitteesta	16.	Katso laitteen osien ja lisävarusteiden asennusohjeet asennuskappaleesta.
Höyryä tulee odottamattomista kohtaa laitetta	17.	www.blackanddecker.co.uk/steammp www.blackanddecker.ie/steammp

Hoito ja puhdistus

BLACK+DECKER johdollinen laite on suunniteltu toimimaan mahdollisimman pitkän aikaa mahdollisimman vähällä huollolla. Oikea käsittely ja säännöllinen puhdistus varmistavat laitteen ongelmattoman toiminnan.

Varoitus! Katkaise johdolisesta laitteesta virta ja irrota virtajohto pistorasiasta aina ennen huoltotoimenpiteiden suorittamista.

- ◆ Pyyhki laite pehmeällä, kostealla liinalla.
- ◆ Pintynyt lika voidaan poistaa miedolla saippuavesiliuoksella kostutetulla liinalla.

Puhdistuslevyjen hoito

Pesuohteet - Ei huuheluaoneita - Anna kuivua kokonaan ennen uudelleenkäyttöä.

Huomio! Noudata puhdistuslevyn tarraan painettuja puhdistusohjeita.

Varaverkkopistoke (vain Iso-Britannia ja Irlanti)

Jos uusi verkkopistoke täytyy asentaa:

- ◆ Hävitä vanha pistoke ympäristöystävällisesti.
- ◆ Liitä ruskea johto uuden pistokkeen jännitteeseen napaan.
- ◆ Liitä sininen johto tähtipisteliitimeen.
- ◆ Kytke vihreä/keltainen johdin maadoitusliitäntään.

Varoitus! Noudata korkealaatuisten pistokkeiden mukana toimitettuja asennusohjeita. Suositeltu varoke: 13A.

Ympäristönsuojelu



Toimita tämä laite erilliskeräykseen. Tällä symbolilla merkityt tuotteet ja akkuja ei saa hävittää tavallisen kotitalousjätteen mukana.

Tuotteissa ja akuissa on materiaaleja, jotka voidaan ottaa talteen tai kierrättää uudelleen käyttöä varten.

Kierrätä sähkölaitteet ja akut paikallisten määräyksien mukaan. Lisätietoa on saatavilla osoitteessa

www.2helpU.com

Takuu

Black & Decker on vakuuttanut tuotteidensa korkeasta laadusta ja tarjoaa kuluttajille 24 kuukauden takuun, joka astuu voimaan ostopäivänä. Takuu on lisäys kuluttajan laillisiin oikeuksiin eikä vaikuta niihin. Tämä takuu on voimassa kaikissa EU- ja ETA-maissa.

Edellytyksenä takuun saamiselle on, että vaade täyttää Black & Deckerin ehdot ja että ostaja toimittaa ostotositteen jälleenmyyjälle tai valtuutetulle huoltoilikkeelle. Black & Deckerin kahden vuoden takuun ehdot ja lähimmän valtuutetun korjauspalvelun yhteystiedot ovat saatavilla osoitteessa www.2helpU.com tai ottamalla yhteyttä paikalliseen Black & Deckerin toimipisteeseen tässä ohjekirjassa ilmoitettuihin osoitteisiin.

Käy verkkosivuiltamme osoitteessa www.blackanddecker.co.uk ja rekisteröi uusi Black & Decker -tuotteesi. Sivuilta saat myös päivityksiä uusista tuotteista ja erikoistarjouksista.

Προβλεπόμενη χρήση

Οι σφουγγαρίστρες ατμού BLACK+DECKER™ FSMH1321, FSMH1351SM, FSMH13101SM, FSMH13151SM, FSMH1321J, FSMH1321JSM, FSMH1321JMD έχουν σχεδιαστεί για την απολύμανση και τον καθαρισμό δαπέδων από στεγανοποιημένο σκληρό ξύλο, στεγανοποιημένο πολυστρωματικό υλικό (λαμινέ), λινότάπητα, βινύλιο, κεραμικά πλακίδια, πέτρα και μάρμαρο. Η συσκευή αυτή προορίζεται μόνο για οικιακή χρήση σε εσωτερικούς χώρους.

Οδηγίες ασφαλείας

Προειδοποίηση! Διαβάστε όλες τις προειδοποιήσεις ασφαλείας και όλες τις οδηγίες. Η μη τήρηση των παρακάτω προειδοποιήσεων και οδηγιών μπορεί να προκαλέσει ηλεκτροπληξία, πυρκαγιά και/ή σοβαρές σωματικές βλάβες.



Προειδοποίηση! Κατά τη χρήση συσκευών που τροφοδοτούνται με ηλεκτρικό ρεύμα δικτύου, θα πρέπει να λαμβάνονται πάντα οι βασικές προφυλάξεις ασφαλείας, συμπεριλαμβανομένων και των παρακάτω, για τον περιορισμό του κινδύνου πυρκαγιάς, ηλεκτροπληξίας, τραυματισμού και υλικών ζημιών.

- Η προβλεπόμενη χρήση περιγράφεται σε αυτό το εγχειρίδιο. Τόσο η χρήση αξεσουάρ ή προσαρτημάτων, όσο και η πραγματοποίηση με αυτή τη συσκευή οποιασδήποτε εργασίας, πέραν αυτών που συνιστώνται στο παρόν εγχειρίδιο οδηγιών, μπορεί να εγκυμονεί κίνδυνο σωματικών βλαβών.
- Φυλάξτε αυτό το εγχειρίδιο για μελλοντική αναφορά.

Χρήση της συσκευής

- Μην κατευθύνετε τον ατμό προς ανθρώπους, ζώα, ηλεκτρικές συσκευές ή ηλεκτρικές πρίζες.
- Μην εκθέσετε τον εξοπλισμό στη βροχή.
- Μη βυθίσετε τη συσκευή σε νερό.
- Μην αφήνετε τη συσκευή χωρίς επίβλεψη.
- Μην αφήνετε τη συσκευή συνδεδεμένη σε ηλεκτρική πρίζα, όταν δεν είναι σε χρήση.
- Ποτέ μην αποσυνδέετε τη συσκευή από την πρίζα τραβώντας το καλώδιο

τροφοδοσίας της. Διατηρείτε το καλώδιο τροφοδοσίας μακριά από πηγές θερμότητας, λάδια και αιχμηρά άκρα.

- ◆ Μη χειρίζετε τον ατμοκαθαριστή με βρεγμένα χέρια.
- ◆ Μην τραβάτε ή μεταφέρετε τη συσκευή από το καλώδιο, μη χρησιμοποιείτε το καλώδιο ως λαβή, μην κλείνετε πόρτες πάνω στο καλώδιο, μην τραβάτε το καλώδιο γύρω από αιχμηρές γωνίες και μην εκθέτετε το καλώδιο σε θερμαινόμενες επιφάνειες.
- ◆ Μη χρησιμοποιείτε τη συσκευή σε κλειστό χώρο στον οποίο υπάρχουν ατμοί που εκπέμπονται από διαλυτικό μπογιές με βάση το λάδι, ορισμένες ουσίες κατά των σκόρων, εύφλεκτη σκόνη ή άλλα εκρηκτικά ή τοξικά αέρια.
- ◆ Συμβουλευτείτε τον κατασκευαστή για το είδος του δαπέδου.
- ◆ Μη χρησιμοποιείτε σε δέρμα, σε έπιπλα ή δάπεδα γυαλισμένα με κερί, σε συνθετικά υφάσματα, σε βελούδο ή σε άλλα υλικά που είναι ευαίσθητα σε ατμό.



Προειδοποίηση! Μη

χρησιμοποιείτε τη συσκευή σε μη στεγανοποιημένα δάπεδα από ξύλο ή πολυστρωματικό υλικό (λαμινέ). Σε επιφάνειες που έχουν υποστεί επεξεργασία με κερί ή σε ορισμένα δάπεδα που δεν κερώνονται, η λάμψη μπορεί να απομακρυνθεί από τη θερμότητα και τη δράση του ατμού. Συνιστάται πάντα να εκτελείτε μια δοκιμή σε μια απομονωμένη περιοχή της επιφάνειας που χρειάζεται να καθαριστεί πριν προχωρήσετε. Επίσης συνιστούμε να ελέγχετε τις οδηγίες χρήσης και φροντίδας από τον κατασκευαστή του δαπέδου.

- ◆ Ποτέ μην τοποθετείτε προϊόντα απομάκρυνσης αλάτων, αρωματικά, οινοπνευματώδη ή απορρυπαντικά προϊόντα στον ατμοκαθαριστή, καθώς αυτό μπορεί να προκαλέσει ζημιά ή να τον καταστήσει ανασφαλής για χρήση.
- ◆ Εάν ενεργοποιηθεί ο ασφαλειοδιακόπτης του σπιτιού, ενώ χρησιμοποιείται η λειτουργία ατμού, διακόψτε αμέσως τη χρήση του προϊόντος και επικοινωνήστε με το κέντρο εξυπηρέτησης πελατών. (Προσοχή στον κίνδυνο ηλεκτροπληξίας.)
- ◆ Η συσκευή εκπέμπει ιδιαίτερα καυτό ατμό για την απολύμανση του χώρου χρήσης. Αυτό σημαίνει ότι η κεφαλή ατμού, τα εξαρτήματα καθαρισμού και το εξάρτημα για τα χαλιά θερμαίνονται

πολύ κατά τη χρήση.

Προσοχή! Να φοράτε πάντα κατάλληλα παπούτσια κατά τη χρήση και κατά την αλλαγή των αξεσουάρ της σφουγγαρίστρας ατμού σας. Μη φοράτε παντόφλες ή υποδήματα που αφήνουν τα δάχτυλα ακάλυπτα.

- ♦ Κατά τη χρήση το καπάκι μπορεί να θερμανθεί.
- ♦ Κατά τη χρήση μπορεί να διαφύγει ατμός από τη συσκευή.
Η χρήση αυτής της συσκευής πρέπει να γίνεται με προσοχή. ΜΗΝ αγγίζετε οποιαδήποτε εξαρτήματα καθώς είναι δυνατό να θερμανθούν κατά τη χρήση.
- ♦ Απενεργοποιήστε τη συσκευή και επαναφέρετε τη λαβή σε όρθια θέση, πριν αφαιρέσετε τη δεξαμενή νερού.
- ♦ Εάν διαπιστώσετε διαρροή ατμού από το σώμα του ατμοκαθαριστή χειρός, απενεργοποιήστε και αποσυνδέστε τη συσκευή από την παροχή ρεύματος και αφήστε την να κρυώσει. Επικοινωνήστε με το πλησιέστερο σε εσάς εξουσιοδοτημένο κέντρο επισκευών. Μη συνεχίσετε να χρησιμοποιείτε τη συσκευή.

Μετά τη χρήση

- ♦ Αποσυνδέστε τη συσκευή και αφήστε τη να κρυώσει πριν τον καθαρισμό.
- ♦ Όταν η συσκευή δεν χρησιμοποιείται, πρέπει να φυλάσσεται σε ξηρό χώρο.
- ♦ Τα παιδιά δεν πρέπει να έχουν πρόσβαση σε αποθηκευμένες συσκευές.

Έλεγχος και επισκευές

- ♦ Αποσυνδέστε τη συσκευή από την

πρίζα και αφήστε τη να κρυώσει πριν την εκτέλεση οποιασδήποτε συντήρησης ή επισκευής.

- ♦ Πριν από τη χρήση, ελέγξτε τη συσκευή σας για τυχόν εξαρτήματα που παρουσιάζουν ζημιά ή βλάβη. Ελέγξτε αν υπάρχουν σπασμένα εξαρτήματα, ζημιά σε διακόπτες και οτιδήποτε άλλο μπορεί να επηρεάσει τη λειτουργία της.
- ♦ Ελέγχετε τακτικά το καλώδιο τροφοδοσίας για φθορά.
- ♦ Μη χρησιμοποιήσετε τη συσκευή αν οποιοδήποτε εξάρτημά της έχει υποστεί ζημιά ή βλάβη.
- ♦ Φροντίστε τα εξαρτήματα που παρουσιάζουν ζημιά ή βλάβη να επισκευαστούν ή αντικατασταθούν από εξουσιοδοτημένο αντιπρόσωπο επισκευών.
- ♦ Ποτέ μην επιχειρήσετε να αφαιρέσετε ή να αντικαταστήσετε οποιοδήποτε εξάρτημα, εκτός από αυτά που καθορίζονται στο παρόν εγχειρίδιο.

Ασφάλεια τρίτων

- ♦ Αυτή η συσκευή μπορεί να χρησιμοποιηθεί από παιδιά ηλικίας 8 ετών και άνω καθώς και από άτομα με μειωμένες σωματικές, αισθητηριακές ή διανοητικές ικανότητες ή άτομα χωρίς εμπειρία και γνώσεις, μόνο εφόσον επιτηρούνται ή τους έχουν δοθεί οδηγίες σχετικά με την ασφαλή χρήση της συσκευής και έχουν κατανοήσει τους πιθανούς κινδύνους. Τα παιδιά δεν πρέπει να παίζουν με τη συσκευή. Ο καθαρισμός και η συντήρηση από

το χρήστη δεν πρέπει να γίνονται από παιδιά χωρίς επίβλεψη.

- ♦ Τα παιδιά θα πρέπει να βρίσκονται υπό επίβλεψη ώστε να διασφαλίζεται ότι δεν παίζουν με τη συσκευή.

Υπολειπόμενοι κίνδυνοι

Κατά τη χρήση του εργαλείου μπορεί να δημιουργηθούν πρόσθετοι υπολειπόμενοι κίνδυνοι, οι οποίοι ενδέχεται να μη συμπεριλαμβάνονται στις προειδοποιήσεις ασφαλείας που εσωκλείονται. Αυτοί οι κίνδυνοι μπορεί να προκληθούν από κακή χρήση, παρατεταμένη χρήση κλπ.

Παρά την εφαρμογή των σχετικών κανονισμών ασφαλείας και τη χρήση διατάξεων ασφαλείας, ορισμένοι υπολειπόμενοι κίνδυνοι δεν είναι δυνατό να αποφευχθούν. Σε αυτούς περιλαμβάνονται:

- ♦ Τραυματισμοί από επαφή με οποιαδήποτε κινούμενα μέρη.
- ♦ Τραυματισμοί από επαφή με καυτά εξαρτήματα.
- ♦ Τραυματισμοί κατά την αλλαγή οποιωνδήποτε εξαρτημάτων ή αξεσουάρ.
- ♦ Τραυματισμοί που προκαλούνται από παρατεταμένη χρήση της συσκευής. Όταν χρησιμοποιείτε οποιαδήποτε συσκευή για παρατεταμένες χρονικές περιόδους, βεβαιωθείτε να κάνετε τακτικά διαλείμματα.

Ασφαλής χρήση ηλεκτρικού ρεύματος



Προειδοποίηση! Το προϊόν αυτό πρέπει να γειώνεται. Ελέγχετε πάντα ότι η παροχή ρεύματος αντιστοιχεί στην τάση που αναφέρεται στην πινακίδα στοιχείων.

Τα φισ ρευματοληψίας πρέπει να ταιριάζουν στην πρίζα. Σε καμία περίπτωση μην τροποποιήσετε το φισ, με κανένα τρόπο. Τα φισ που δεν έχουν υποστεί τροποποιήσεις και οι κατάλληλες πρίζες μειώνουν τον κίνδυνο ηλεκτροπληξίας.

- ♦ Αν το καλώδιο τροφοδοσίας είναι κατεστραμμένο, πρέπει να αντικατασταθεί από τον κατασκευαστή ή εξουσιοδοτημένο κέντρο τεχνικής υποστήριξης της BLACK+DECKER για την αποφυγή κινδύνου.

Καλώδια επέκτασης & προϊόν κλάσης 1

- ♦ Επειδή η συσκευή σας είναι γειωμένη και κατασκευής κλάσης 1, πρέπει να χρησιμοποιείται καλώδιο 3 αγωγών.
- ♦ Μπορούν να χρησιμοποιούνται καλώδια μήκους μέχρι 30 m (100 ποδιών) χωρίς πτώση τάσης.

Ετικέτες πάνω στη συσκευή

Τα ακόλουθα εικονογράμματα μαζί με τον κωδικό ημερομηνίας εμφανίζονται πάνω στη συσκευή.



ΠΡΟΣΟΧΗ Καυτός ατμός. Κίνδυνος ζεματίσματος.



Στάζει νερό όταν χρησιμοποιείται ανάποδα



Διαφεύγει ατμός από όλες τις πλευρές



Μην αφήνετε το εργαλείο χωρίς επιτήρηση κοντά σε μικρά παιδιά



Πλένετε στους 60 °C. Μη χρησιμοποιείτε χλωρίνη ή μαλακτικό ρούχων



Προσοχή! Καυτή επιφάνεια

Χαρακτηριστικά

Η συσκευή αυτή διαθέτει μερικά ή όλα από τα παρακάτω χαρακτηριστικά.

1. Διακόπτης ενεργοποίησης/ απενεργοποίησης (On/Off)
2. Περιστροφικός επιλογέας Autoselect™
3. Λαβή μονάδας ατμού χειρός
4. Τάπα πλήρωσης
5. Μονάδα ατμού χειρός
6. Λαβή
7. Άνω άγκιστρο τακτοποίησης καλωδίου
8. Κύρια λαβή
9. Κάτω άγκιστρο τακτοποίησης καλωδίου
10. Κουμπί απελευθέρωσης μονάδας ατμού χειρός
11. Κυρίως σώμα
12. Κεφαλή καθαρισμού δαπέδου
- 12a. Κεφαλή καθαρισμού δαπέδου με ριπή ατμού
- 12b. Εξάρτημα χαλιών
(για χρήση σε χαλιά)
13. Εξάρτημα καθαρισμού δαπέδου
14. Προεξοχή απελευθέρωσης εξαρτήματος καθαρισμού δαπέδου
15. Στήριγμα ανάρτησης
16. Εύκαμπτος σωλήνας ατμού
17. Ακροφύσιο ατμού
18. Αξεσουάρ γωνιακής βούρτσας
(για χρήση σε επίμονους λεκέδες)
- 18a. Γωνιακή βούρτσα μπάρμπεκιο (συρματόβουρτσα)
19. Αξεσουάρ βούρτσας
(για χρήση σε πλακάκια / αρμούς)
20. Αξεσουάρ μάκτρο
(για χρήση σε καμπίνες ντους / τζάμια / καθρέφτες / ρούχα / ταπετσαρίες επίπλων)
- 20a. Επένδυση μάκτρο
21. Αξεσουάρ μεγάλου μάκτρο
(για χρήση σε καμπίνες ντους / τζάμια / καθρέφτες / ρούχα / ταπετσαρίες επίπλων)
- 21a. Επένδυση μεγάλου μάκτρο
22. Μονάδα βούρτσας με ριπή ατμού
- 22a. Συρματόβουρτσα με ριπή ατμού
(για χρήση σε μπάρμπεκιο / φούρνους)

- 22b. Βούρτσα με ριπή ατμού
(για χρήση σε μπάρμπεκιο / φούρνους / εστίες φούρνου / βρύσες / αρμούς πλακιδίων)
- 22c. Πλατιά βούρτσα με ριπή ατμού
(για χρήση σε μεγάλες επιφάνειες)
23. Κεφαλή δέλτα
(για χρήση σε ρούχα / ταπετσαρίες επίπλων / σχετικά μεγάλες επιφάνειες)
- 23a. Εξάρτημα καθαρισμού επίπεδων επιφανειών
- 23b. Διασύνδεση ατμισμού ρούχων
(για χρήση σε ρούχα / ταπετσαρίες επίπλων)
- 23c. Βούρτσα ατμισμού ρούχων
(για χρήση σε ρούχα / ταπετσαρίες επίπλων)
- 23d. Εξάρτημα ατμισμού ρούχων
(για χρήση σε ρούχα / ταπετσαρίες επίπλων)
- 23e. Εξάρτημα χαλιών κεφαλής δέλτα
25. SteaMitt™
26. Εύκαμπτος σωλήνας SteaMitt™
27. Εξάρτημα καθαρισμού για SteaMitt™
- 27a. Εξάρτημα καθαρισμού 2 για SteaMitt™
- 27b. Εξάρτημα καθαρισμού 3 για SteaMitt™
28. Ρυθμιζόμενο ακροφύσιο

Διαμόρφωση

	F S M H 1 3 2 1	F S M H 1 3 5 1 S M	F S M H 1 3 1 0 1 S M	F S M H 1 3 1 5 1 S M	F S M H 1 3 2 3 1 J	F S M H 1 3 2 1 J S M	F S M H 1 3 2 1 J M D	Συνιστώμενες ρυθμίσεις ατμού
12	✓	✓	✓	✓	✓	✓	✓	Όλες
12a			✓	✓	✓	✓	✓	Όλες
12b			✓	✓	✓	✓	✓	Όλες
13	✓	✓	✓	✓	✓	✓	✓	Όλες
16	✓	✓	✓	✓	✓	✓	✓	Όλες
18	✓	✓		✓	✓	✓		Όλες
18a				✓	✓	✓		Όλες
19	✓	✓		✓	✓	✓		Όλες
20	✓	✓	✓	✓	✓			*
20a	✓	✓	✓	✓				*
21					✓	✓	✓	*
21a					✓	✓	✓	*
22			✓	✓			✓	Όλες
22a			✓	✓			✓	Όλες
22b			✓	✓			✓	Όλες
22c			✓	✓			✓	Όλες
23							✓	Όλες
23a							✓	Όλες
23b							✓	*
23c							✓	*
23d							✓	*

	FSMH1321	FSMH1351SM	FSMH13101SM	FSMH13151SM	FSMH1321J	FSMH132160L	FSMH1321JMD	Συνιστώμενες ρυθμίσεις ατμού
23e							✓	*
25		✓	✓	✓		✓	✓	*
26		✓	✓	✓		✓	✓	*
27		✓	✓	✓		✓	✓	*
27a							✓	*
27b							✓	*
28				✓	✓	✓	✓	Όλες

καθαρισμού με ριπή ατμού (12a). Και στις δύο περιπτώσεις χρησιμοποιήστε αυτές τις οδηγίες για να τοποθετήσετε ένα εξάρτημα καθαρισμού.

Προσοχή! Μην αφήνετε ποτέ τη σφουγγαρίστρα ατμού στο ίδιο σημείο σε οποιαδήποτε επιφάνεια για οποιοδήποτε χρονικό διάστημα. Πάντοτε τοποθετείτε τη σφουγγαρίστρα ατμού με τη λαβή (8) υποστηριζόμενη σε όρθια θέση όταν είναι σε στάση και βεβαιωθείτε ότι η σφουγγαρίστρα ατμού είναι απενεργοποιημένη όταν δε χρησιμοποιείται.

Αφαίρεση ενός εξαρτήματος καθαρισμού

Προσοχή! Να φοράτε πάντοτε κατάλληλα παπούτσια όταν αλλάζετε το εξάρτημα καθαρισμού στη σφουγγαρίστρα ατμού. Μη φοράτε παντόφλες ή υποδήματα που αφήνουν τα δάχτυλα ακάλυπτα.

- ◆ Επαναφέρετε τη λαβή (8) σε όρθια θέση και θέστε τη σφουγγαρίστρα ατμού στη θέση 'OFF'.
- ◆ Περιμένετε να κρυώσει η σφουγγαρίστρα ατμού (περίπου 5 λεπτά).
- ◆ Ανασηκώστε τη σφουγγαρίστρα ατμού και απομακρύνετε την από το εξάρτημα καθαρισμού ελευθερώνοντας την από τη σύνδεση με το velcro.

Προσοχή! Μην αφήνετε ποτέ τη σφουγγαρίστρα ατμού στο ίδιο σημείο σε οποιαδήποτε επιφάνεια για οποιοδήποτε χρονικό διάστημα.

Πάντοτε τοποθετείτε τη σφουγγαρίστρα ατμού με τη λαβή (8) υποστηριζόμενη σε όρθια θέση όταν είναι σε στάση και βεβαιωθείτε ότι η σφουγγαρίστρα ατμού είναι απενεργοποιημένη όταν δε χρησιμοποιείται.

Γέμισμα του δοχείου νερού (Εικ. Q)

Σημείωση! Γεμίστε το δοχείο νερού με καθαρό νερό βρύσης (μη χρησιμοποιείτε πρόσθετα ή χημικά).

Σημείωση! Σε περιοχές με σκληρό νερό, συνιστάται η χρήση απιονισμένου νερού.

- ◆ Ανοίξτε την τάπα πλήρωσης (4) ανασηκώνοντάς την.
- ◆ Γεμίστε το δοχείο νερού με νερό (μη χρησιμοποιείτε πρόσθετα ή χημικά).

Προειδοποίηση! Κατά το γέμισμα, αποσυνδέστε το από την κύρια μονάδα και διατηρήστε το σε οριζόντια θέση.

Προειδοποίηση! Το δοχείο νερού διαθέτει χωρητικότητα 0,5 λίτρου. Μη βάζετε παραπάνω νερό στη δεξαμενή.

- ◆ Κλείστε την τάπα πλήρωσης (4).

Σημείωση! Βεβαιωθείτε ότι η τάπα πλήρωσης έχει κλείσει με ασφάλεια.

Σύνδεση του εξαρτήματος χαλιών (12b) (Για χρήση σε χαλιά μόνο)

- ◆ Τοποθετήστε το εξάρτημα χαλιών (12b) στο δάπεδο.
- ◆ Συνδέστε ένα εξάρτημα καθαρισμού στην κεφαλή καθαρισμού δαπέδου (12)
- ◆ Πιέστε ελαφρά τη σφουγγαρίστρα ατμού πάνω στο εξάρτημα χαλιών (12b) μέχρι να ασφαλίσει με

Συναρμολόγηση



Προειδοποίηση! Πριν επιχειρήσετε οποιαδήποτε από τις παρακάτω οδηγίες, βεβαιωθείτε ότι η συσκευή είναι απενεργοποιημένη, έχει αποσυνδεθεί από την πρίζα, είναι κρύα και δεν περιέχει καθόλου νερό.

Τοποθέτηση της λαβής (Εικ. A)

- ◆ Σύρετε το κάτω άκρο της λαβής (8) στο άνω άκρο του σώματος της σφουγγαρίστρας ατμού (11) μέχρι να κουμπώσει στη θέση του.

Σύνδεση του ατμοκαθαριστή χειρός (Εικ. B)

- ◆ Κρατώντας το πίσω μέρος του σώματος της σφουγγαρίστρας ατμού (11) σπρώξτε τον ατμοκαθαριστή χειρός (5) σταθερά μέσα στο σώμα (11) της σφουγγαρίστρας ατμού και βεβαιωθείτε ότι εδράζεται σωστά πάνω από τη διασύνδεση (11a) και ασφαλίζει στη θέση του με χαρακτηριστικό ήχο κλικ.

Αφαίρεση του ατμοκαθαριστή χειρός (Εικ. B)

- ◆ Πατήστε το κουμπί απελευθέρωσης (10) στο κυρίως σώμα (11) και ανυψώστε το καθαριστικό ατμού χειρός (5) από τη διασύνδεση (11a) απομακρύνοντάς το από το κυρίως σώμα (11).

Σύνδεση του εξαρτήματος καθαρισμού (Εικ. C)

Ανταλλακτικά εξάρτημα καθαρισμού διατίθενται από τα εμπορικά σημεία πώλησης προϊόντων BLACK+DECKER:-(αριθ. κατ. FSMP20-ΧJ).

- ◆ Τοποθετήστε ένα εξάρτημα καθαρισμού (13) στο δάπεδο με την πλευρά με τις 'θηλιές velcro' στραμμένη προς τα πάνω.
- ◆ Πιέστε ελαφρά τη σφουγγαρίστρα ατμού πάνω στο εξάρτημα καθαρισμού (13).

Σημείωση: Αυτή η μονάδα μπορεί να εξοπλιστεί με μια κανονική κεφαλή καθαρισμού δαπέδων (12) ή με μια κεφαλή

χαρακτηριστικό ήχο κλικ.

Προσοχή! Μην αφήνετε ποτέ τη σφουγγαρίστρα ατμού στο ίδιο σημείο σε οποιαδήποτε επιφάνεια για οποιοδήποτε χρονικό διάστημα. Πάντοτε τοποθετείτε τη σφουγγαρίστρα ατμού με τη λαβή (8) υποστηριζόμενη σε όρθια θέση όταν είναι σε στάση και βεβαιωθείτε ότι η σφουγγαρίστρα ατμού είναι απενεργοποιημένη όταν δε χρησιμοποιείται.

Αφαίρεση του εξαρτήματος χαλιών

Προσοχή! Να φοράτε πάντα κατάλληλα παπούτσια, όταν αλλάζετε το εξάρτημα χαλιών στη σφουγγαρίστρα ατμού. Μη φοράτε παντόφλες ή υποδήματα που αφήνουν τα δάχτυλα ακάλυπτα.

- ◆ Επαναφέρετε τη λαβή (8) σε όρθια θέση και θέστε τη σφουγγαρίστρα ατμού στη θέση 'OFF'.
- ◆ Περιμένετε να κρυώσει η σφουγγαρίστρα ατμού (περίπου 5 λεπτά).
- ◆ Τοποθετήστε το εμπρός μέρος του παπουτσιού σας επάνω στην προεξοχή αφαίρεσης του εξαρτήματος χαλιών και πιέστε κάτω δυνατά.
- ◆ Ανυψώστε τη σφουγγαρίστρα ατμού από το εξάρτημα χαλιών.

Προσοχή! Μην αφήνετε ποτέ τη σφουγγαρίστρα ατμού στο ίδιο σημείο σε οποιαδήποτε επιφάνεια για οποιοδήποτε χρονικό διάστημα. Πάντοτε τοποθετείτε τη σφουγγαρίστρα ατμού με τη λαβή (8) υποστηριζόμενη σε όρθια θέση όταν είναι σε στάση και βεβαιωθείτε ότι η σφουγγαρίστρα ατμού είναι απενεργοποιημένη όταν δε χρησιμοποιείται.

Σύνδεση του εύκαμπτου σωλήνα και των αξεσουάρ στον ατμοκαθαριστή χειρός (Εικ. G - Ο)

Προειδοποίηση! Πριν από κάθε χρήση, επιθεωρήστε το παρέμβυσμα ανάμεσα στο σημείο σύνδεσης στον ατμοκαθαριστή χειρός (5) και στον εύκαμπο σωλήνα ατμού (16). Αν το παρέμβυσμα δεν λειτουργεί σωστά ή παρουσιάζει ζημιές, επικοινωνήστε με το πλησιέστερό σας εξουσιοδοτημένο κέντρο επισκευών. Μη χρησιμοποιήσετε τη συσκευή.

Προειδοποίηση! Η μονάδα πρέπει να απενεργοποιηθεί πριν την εφαρμογή του εύκαμπτου σωλήνα.

Σύνδεση του εύκαμπτου σωλήνα

- ◆ Πατήστε το κουμπί απελευθέρωσης (16a) του εύκαμπτου σωλήνα ατμού που βρίσκεται πάνω στον εύκαμπο σωλήνα ατμού (16).
- ◆ Συνδέστε τον εύκαμπο σωλήνα ατμού (16) στο καθαριστικό ατμού χειρός (5) και απελευθερώστε το κουμπί απελευθέρωσης (16a) του εύκαμπτου σωλήνα ατμού αφού βεβαιωθείτε ότι κουμπώνει στη θέση του με χαρακτηριστικό ήχο κλικ.

Σημαντικό! Βεβαιωθείτε ότι ο εύκαμπος σωλήνας ατμού (16) έχει συνδεθεί με ασφάλεια στον ατμοκαθαριστή χειρός

(5). Αν διαφεύγει ατμός από το σημείο ένωσης, ο εύκαμπος σωλήνας έχει τοποθετηθεί λανθασμένα. Απενεργοποιήστε τη μονάδα, αφήστε τη να κρυώσει και κατόπιν αφαιρέστε και επανατοποθετήστε τον εύκαμπο σωλήνα.

Σύνδεση αξεσουάρ (Εικ. H)

- ◆ Ευθυγραμμίστε τις προεξοχές στο ακροφύσιο ατμού (17) με τις εσοχές στο αξεσουάρ.
- ◆ Πιέστε το αξεσουάρ πάνω στο ακροφύσιο ατμού (17) και περιστρέψτε το αριστερόστροφα, έως ότου το αξεσουάρ ασφαλίσει με ήχο κλικ.

Σημαντικό! Όλα τα αξεσουάρ, εκτός από το SteaMitt™ (25) το οποίο έχει το δικό του εύκαμπο σωλήνα και σύνδεσμο (26), πρέπει να συνδεθούν στον εύκαμπο σωλήνα ατμού (16) για να χρησιμοποιηθούν.

Αφαίρεση του εύκαμπτου σωλήνα και των αξεσουάρ

Προειδοποίηση! Ο εύκαμπος σωλήνας ατμού (16), το ακροφύσιο ατμού (17) και τα αξεσουάρ αποκτούν υψηλή θερμοκρασία κατά τη χρήση. Αφήστε τη συσκευή και όλα τα αξεσουάρ να κρυώσουν πριν επιχειρήσετε να αφαιρέσετε οτιδήποτε.

Αφαίρεση ενός αξεσουάρ

- ◆ Περιστρέψτε το αξεσουάρ δεξιόστροφα και μετά τραβήξτε το από τον εύκαμπο σωλήνα (16).

Αφαίρεση του εύκαμπτου σωλήνα

- ◆ Πατήστε το κουμπί απελευθέρωσης (16a) του εύκαμπτου σωλήνα ατμού που είναι πάνω στον εύκαμπο σωλήνα ατμού (16) και τραβήξτε τον για να τον αφαιρέσετε από τη μονάδα ατμού χειρός.

SteaMitt™

Το BLACK+DECKER™ SteaMitt™ έχει σχεδιαστεί για την απολύμανση και τον καθαρισμό πλακιδίων, επιφανειών εργασίας, επιφανειών κουζίνας και επιφανειών μπάνιου. Η συσκευή αυτή προορίζεται μόνο για οικιακή χρήση σε εσωτερικούς χώρους.

Σύνδεση του εύκαμπτου σωλήνα SteaMitt™ στη μονάδα ατμού χειρός

Προειδοποίηση! Ελέγχετε το παρέμβυσμα στο ακροφύσιο ατμού και στον εύκαμπο σωλήνα πριν από κάθε χρήση. Εάν το παρέμβυσμα δεν υπάρχει ή παρουσιάζει ζημιές, επικοινωνήστε με το πλησιέστερο σας εξουσιοδοτημένο κέντρο επισκευών. **Μη χρησιμοποιήσετε τη συσκευή.** Ελέγξτε το παρέμβυσμα στο SteaMitt™ και στον εύκαμπο σωλήνα. Αν το παρέμβυσμα λείπει, έχει υποστεί ζημιά ή διαφεύγει ατμός, επικοινωνήστε με το πλησιέστερο σας εξουσιοδοτημένο κέντρο επισκευών. **Μη χρησιμοποιήσετε τη συσκευή.** Βεβαιωθείτε ότι δεν υπάρχει απόφραξη ή

εμπόδιο στον εύκαμπο σωλήνα του SteaMitt™ ή στον εύκαμπο σωλήνα προσαρτημάτων. Αν εντοπίσετε οτιδήποτε, επικοινωνήστε με το πλησιέστερό σας εξουσιοδοτημένο κέντρο επισκευών. **Μη χρησιμοποιήσετε τη συσκευή.**

Τοποθέτηση ενός εξαρτήματος καθαρισμού στο SteaMitt™ (Εικ. L)

Προειδοποίηση! Βεβαιωθείτε ότι δεν υπάρχει απόφραξη ή εμπόδιο στα ανοίγματα απελευθέρωσης ατμού. Αν εντοπιστεί οτιδήποτε επικοινωνήστε με το πλησιέστερό σας εξουσιοδοτημένο κέντρο επισκευών. **Μη χρησιμοποιήσετε τη συσκευή.**

- ◆ Τοποθετήστε το εξάρτημα καθαρισμού (27) στο SteaMitt™ (25) συνδέοντας τις ταινίες νελκο με τις θηλές (27a) στην πάνω πλευρά του εξαρτήματος καθαρισμού, στις επιφάνειες νελκο με τα άγκιστρα (25a) στην κάτω πλευρά του SteaMitt™ (4). Πιέστε προς τα κάτω σταθερά.

Προειδοποίηση! Το SteaMitt™ δεν πρέπει να χρησιμοποιείται χωρίς να έχει τοποθετηθεί ένα εξάρτημα καθαρισμού.

Σημείωση: Το SteaMitt™ μπορεί να δεχτεί 4 τύπους εξαρτημάτων καθαρισμού με διαφορετικά πάχη. Εξάρτημα καθαρισμού με τρίψιμο (για χρήση σε δύσκολες κηλίδες και μη ευαίσθητες επιφάνειες), εξάρτημα καθαρισμού μπάνιου (για χρήση σε βρύσες και άλλες χυτές επιφάνειες στο μπάνιο), στάνταρ εξαρτημα καθαρισμού (για χρήση σε όλες τις μεγάλες επιφάνειες) και εξάρτημα καθαρισμού για υαλίσιμα (για χρήση σε ευαίσθητες επιφάνειες).

Προειδοποίηση! Πάντα χρησιμοποιείτε το SteaMitt™ όπως δείχνει η εικόνα M, με το χέρι σας μέσα στο προστατευτικό γάντι.



Προειδοποίηση! Ποτέ μην επιχειρήσετε χρήση του SteaMitt™ πιάνοντάς το εξωτερικά όπως δείχνει η εικόνα N. Αν το κάνετε, θα καείτε.



Προειδοποίηση! Αποφεύγετε τη χρήση του SteaMitt™ σε απότομες γωνίες όπως δείχνει η εικόνα O.



Προειδοποίηση! Σε περίπτωση που προκύψει κάποιο πρόβλημα κατά τη χρήση, χρησιμοποιήστε την προεξοχή ταχείας απασφάλισης για να αφαιρέσετε γρήγορα το SteaMitt™ από το χέρι σας όπως δείχνει η εικόνα P.



Προειδοποίηση! Μη χρησιμοποιείτε το SteaMitt™ πάνω σε κρύο γυαλί, όπως σε παράθυρα, γιατί μπορεί να προκληθεί ζημιά από την απότομη αλλαγή θερμοκρασίας.



Προειδοποίηση! Ποτέ μην κατευθύνετε το γάντι προς τον εαυτό σας ή οποιοδήποτε άλλο άτομο.



καθαρισμού.

Χρήση

Σημαντικό! Αυτή η συσκευή σκοτώνει το 99,9% των βακτηριδίων και των μικροβίων, όταν χρησιμοποιείται σύμφωνα με τις οδηγίες σε αυτό το εγχειρίδιο και με τοποθετημένο το εξάρτημα μικροϊνών και με συνεχή χρόνο λειτουργίας 90 δευτερόλεπτων.

Ενεργοποίηση και απενεργοποίηση

- ◆ Για να ενεργοποιήσετε τη συσκευή, πατήστε το διακόπτη ON/OFF (1). Για να ζεσταθεί η σφουγγαρίστρα ατμού, χρειάζονται περίπου 15 δευτερόλεπτα.
- ◆ Για να απενεργοποιήσετε τη συσκευή, πατήστε το διακόπτη ON/OFF (1).

Σημείωση: Πάντα να έχετε το χέρι σας μέσα στο SteaMitt™ πριν πατήσετε το κουμπί ατμού.

Προσοχή! Μην αφήνετε ποτέ τη σφουγγαρίστρα ατμού στο ίδιο σημείο σε οποιαδήποτε επιφάνεια για οποιοδήποτε χρονικό διάστημα.

Πάντοτε τοποθετείτε τη σφουγγαρίστρα ατμού με τη λαβή (8) υποστηριζόμενη σε όρθια θέση όταν είναι σε στάση και βεβαιωθείτε ότι η σφουγγαρίστρα ατμού είναι απενεργοποιημένη όταν δε χρησιμοποιείται.

Προσοχή! Αδειάζετε πάντα τη σφουγγαρίστρα ατμού μετά τη χρήση.

Σημείωση! Κατά την πρώτη πλήρωση ή αν τελειώσει το νερό κατά τη λειτουργία, μπορεί να χρειαστούν μέχρι και 45 δευτερόλεπτα για την παραγωγή ατμού.

Τεχνολογία Autoselect™ (Εικ. R)

Αυτή η σφουγγαρίστρα ατμού είναι εξοπλισμένη με έναν περιστροφικό επιλογέα Autoselect™ (2) που δείχνει διάφορες εφαρμογές καθαρισμού. Χρησιμοποιούνται για την επιλογή του σωστού τρόπου λειτουργίας για τη δική σας εργασία καθαρισμού.

Κατά τη χρήση του Autoselect™, επιλέξτε μια από τις παρακάτω εφαρμογές περιστρέφοντας τον περιστροφικό επιλογέα Autoselect™ (2) μέχρι να επιλεγεί η απαιτούμενη ρύθμιση.

Ρύθμιση	Σφουγγαρίστρα	Συσκευή χειρός
	Ξύλο/Λαμινέ	Χαμηλή ροή ατμού
	Πλακάκια/Βινύλιο	Μέτρια ροή ατμού
	Πέτρα/Μάρμαρο	Υψηλή ροή ατμού

Η σφουγγαρίστρα ατμού θα επιλέξει τη σωστή ποσότητα ατμού που απαιτείται για τη συγκεκριμένη εργασία καθαρισμού σας.

Σημείωση: Συνιστάται το SteaMitt να χρησιμοποιείται στη ρύθμιση 1 για να μην υγραίνεται υπερβολικά το εξάρτημα

Σημείωση: Ελέγχετε πάντα ότι χρησιμοποιείτε τη σωστή ρύθμιση πριν χρησιμοποιήσετε τη σφουγγαρίστρα ατμού σας.

Ριπή ατμού (Εικ. C1) (μόνο στις μονάδες FSMH1310SM, FSMH13151SM, FSMH1321J, FSMH1321JMD, FSMH1321JSM)

Η κεφαλή δαπέδων (12a) είναι εξοπλισμένη με ένα πεντάλ ριπής ατμού, για να βοηθά στην αφαίρεση επίμονων σημαδιών και κηλίδων.

- ◆ Κατά τη χρήση, πατήστε το πεντάλ ριπής ατμού για μεγαλύτερη καθαριστική δύναμη.
- ◆ Για επιστροφή στην κανονική ρύθμιση, πατήστε πάλι το πεντάλ.

Συμβουλές για βέλτιστη χρήση

Γενικά

Προσοχή! Μη χρησιμοποιείτε ποτέ τη σφουγγαρίστρα ατμού χωρίς να έχετε πρώτα τοποθετήσει ένα εξάρτημα καθαρισμού.

- ◆ Πριν από τη χρήση της σφουγγαρίστρας ατμού, φροντίστε το πάτωμα να είναι καθαρισμένο είτε με σφουγγαρίστρα είτε με κανονική.
- ◆ Ο ευκολότερος τρόπος χρήσης της συσκευής είναι να γείρετε τη λαβή σε γωνία 45° και να καθαρίζετε αργά, καλύπτοντας μια μικρή περιοχή κάθε φορά.
- ◆ Με τη σφουγγαρίστρα ατμού χρησιμοποιείτε μόνο νερό, χωρίς πρόσθετα ή χημικά. Για να αφαιρέσετε επίμονους λεκέδες από δάπεδα βινυλίου ή λινόταπητα, μπορείτε να τους προ-επεξεργαστείτε με ένα ήπιο απορρυπαντικό και λίγο νερό πριν από τη χρήση της σφουγγαρίστρας ατμού.

Καθαρισμός με ατμό με τη σφουγγαρίστρα ατμού

- ◆ Τοποθετήστε τον ατμοκαθαριστή χειρός (5) στο σώμα της σφουγγαρίστρας ατμού (11)
- ◆ Τοποθετήστε ένα εξάρτημα καθαρισμού (13) στο δάπεδο με την πλευρά με τις θηλειές νερού στραμμένη προς τα πάνω.
- ◆ Πιέστε ελαφρά τη σφουγγαρίστρα ατμού πάνω στο εξάρτημα καθαρισμού (13).
- ◆ Συνδέστε τη σφουγγαρίστρα ατμού στο ρεύμα δικτύου.
- ◆ Πιέστε το κουμπί ON/OFF (1). Για να ξεσταθεί η σφουγγαρίστρα ατμού, χρειάζονται περίπου 15 δευτερόλεπτα.
- ◆ Περιστρέψτε τον περιστροφικό επιλογέα Autoselect™ (2) έως ότου επιτευχθεί η επιθυμητή ρύθμιση. Μετά από λίγα δευτερόλεπτα θα αρχίσει να βγαίνει ατμός από την κεφαλή ατμού.

Σημείωση! Κατά την πρώτη πλήρωση ή αν τελειώσει το νερό κατά τη λειτουργία, μπορεί να χρειαστούν μέχρι και 45 δευτερόλεπτα για την παραγωγή ατμού.

- ◆ Χρειάζονται μερικά δευτερόλεπτα για να εισέλθει ο ατμός στο εξάρτημα καθαρισμού. Η σφουγγαρίστρα ατμού

θα γλιστράει τώρα εύκολα πάνω στην επιφάνεια που πρόκειται να απολυμανθεί/καθαριστεί.

- ◆ Μετακινείτε αργά τη σφουγγαρίστρα ατμού εμπρός-πίσω στην επιφάνεια για να καθαριστεί καλά με ατμό κάθε τμήμα.
- ◆ Όταν ολοκληρώσετε τη χρήση της σφουγγαρίστρας ατμού, επιστρέψτε τη λαβή (8) στην όρθια θέση, διασφαλίζοντας ότι στηρίζεται και απενεργοποιήστε την. Περιμένετε να κρυώσει η σφουγγαρίστρα ατμού (περίπου πέντε λεπτά).

Προσοχή! Είναι σημαντικό να παρακολουθείτε τη στάθμη του νερού στο δοχείο νερού. Για να ξαναγεμίσετε τη δεξαμενή νερού και να συνεχίσετε την απολύμανση/καθαρισμό, τοποθετήστε τη σφουγγαρίστρα σε όρθια θέση και βεβαιωθείτε ότι η λαβή υποστηρίζεται και απενεργοποιήστε τη σφουγγαρίστρα ατμού. Αποσυνδέστε τη συσκευή από την πρίζα τοίχου και γεμίστε πάλι το δοχείο νερού.

Προσοχή! Μην αφήνετε ποτέ τη σφουγγαρίστρα ατμού στο ίδιο σημείο σε οποιαδήποτε επιφάνεια για οποιοδήποτε χρονικό διάστημα. Πάντοτε τοποθετείτε τη σφουγγαρίστρα ατμού με τη λαβή (8) υποστηρίξιμη σε όρθια θέση όταν είναι σε στάση και βεβαιωθείτε ότι η σφουγγαρίστρα ατμού είναι απενεργοποιημένη όταν δε χρησιμοποιείται.

Φρεσκάρισμα χαλιών

- ◆ Τοποθετήστε ένα εξάρτημα καθαρισμού (13) στο δάπεδο με την πλευρά με τις θηλειές στραμμένη προς τα πάνω.
- ◆ Πιέστε ελαφρά τη σφουγγαρίστρα ατμού πάνω στο εξάρτημα καθαρισμού.
- ◆ Τοποθετήστε το εξάρτημα χαλιών (12b) στο δάπεδο.
- ◆ Πιέστε ελαφρά τη σφουγγαρίστρα ατμού πάνω στο εξάρτημα χαλιών μέχρι να ασφαλίσει με χαρακτηριστικό ήχο κλικ.
- ◆ Συνδέστε τη σφουγγαρίστρα ατμού στο ρεύμα δικτύου.
- ◆ Πιέστε το κουμπί ON/OFF (1). Για να ξεσταθεί η σφουγγαρίστρα ατμού, χρειάζονται περίπου 15 δευτερόλεπτα.
- ◆ Περιστρέψτε τον περιστροφικό επιλογέα Autoselect™ (2) στη ρύθμιση Ξύλο/Λαμινέ.
- ◆ Μετακινείτε αργά μπρος πίσω τη σφουγγαρίστρα ατμού στο χαλί, για να φρεσκαριστεί με ατμό καλά κάθε τμήμα.
- ◆ Όταν ολοκληρώσετε τη χρήση της σφουγγαρίστρας ατμού, επαναφέρετε τη λαβή (8) σε όρθια θέση και απενεργοποιήστε τη μονάδα. Περιμένετε να κρυώσει η σφουγγαρίστρα ατμού (περίπου πέντε λεπτά).

Μετά τη χρήση

- ◆ Περιστρέψτε τον περιστροφικό επιλογέα Autoselect™ (2) στη θέση απενεργοποίησης.
- ◆ Περιμένετε να κρυώσει η σφουγγαρίστρα ατμού.
- ◆ Αποσυνδέστε τη σφουγγαρίστρα ατμού από την πρίζα τοίχου.
- ◆ Αδειάστε το δοχείο νερού.

- ♦ Αφαιρέστε το εξάρτημα καθαρισμού (13) και πλύνετε το ώστε να είναι έτοιμο για την επόμενη χρήση (προσέξτε να ακολουθήσετε τις οδηγίες φροντίδας που είναι τυπωμένες στο εξάρτημα καθαρισμού).
- ♦ Τυλίξτε το καλώδιο γύρω από τα άγκιστρα τακτοποίησης καλωδίου (7 και 9).
- ♦ Υπάρχει ένα στήριγμα ανάρτησης (15) ενσωματωμένο στη λαβή (6) το οποίο επιτρέπει να κρεμάσετε τη σφουγγαρίστρα ατμού σας από κατάλληλο γάντζο στον τοίχο. Να βεβαιώνετε πάντα ότι το άγκιστρο στον τοίχο σας είναι σε θέση να υποστηρίξει με ασφάλεια το βάρος της σφουγγαρίστρας ατμού.

Καθαρισμός με ατμοκαθαριστή χειρός

Προειδοποίηση! Διατηρείτε τη μονάδα σε οριζόντια θέση κατά τη χρήση.

- ♦ Τοποθετήστε το κατάλληλο αξεσουάρ.
- ♦ Συνδέστε τον ατμοκαθαριστή χειρός με την πρίζα.
- ♦ Πιέστε το κουμπί ON/OFF (1). Για να ξεσταθεί η σφουγγαρίστρα ατμού, χρειάζονται περίπου 15 δευτερόλεπτα.
- ♦ Περιστρέψτε τον περιστροφικό επιλογέα Autoselect™ (2) έως ότου επιτευχθεί η επιθυμητή ρύθμιση. Μετά από λίγα δευτερόλεπτα θα αρχίσει να βγαίνει ατμός από την κεφαλή ατμού.

Σημείωση! Κατά την πρώτη πλήρωση ή αν τελειώσει το νερό κατά τη λειτουργία, μπορεί να χρειαστούν μέχρι και 45 δευτερόλεπτα για την παραγωγή ατμού.

- ♦ Όταν τελειώσετε τη χρήση του ατμοκαθαριστή χειρός, περιστρέψτε τον περιστροφικό επιλογέα Autoselect™ (2) στη θέση απενεργοποίησης. Απενεργοποιήστε τη μονάδα πατώντας το κουμπί ON/OFF (1) και αποσυνδέστε την από την παροχή ρεύματος δικτύου. Περιμένετε να κρυώσει η μονάδα πριν τη φυλάξετε (περίπου πέντε λεπτά).

Αξεσουάρ

Η απόδοση της συσκευής σας εξαρτάται από τα αξεσουάρ που χρησιμοποιούνται. Τα αξεσουάρ της BLACK+DECKER έχουν κατασκευαστεί μηχανικά με βάση πρότυπα υψηλής ποιότητας και είναι σχεδιασμένα να ενισχύουν την απόδοση της συσκευής σας. Χρησιμοποιώντας αυτά τα αξεσουάρ, θα εξασφαλίσετε την καλύτερη δυνατή απόδοση του εξοπλισμού σας.

Τεχνικά δεδομένα

FSMH1321		
Τάση	V _{AC}	230
Ισχύς	W	1300
Χωρητικότητα δοχείου	ml	500
Βάρος	kg	2,7

FSMH1351SM		
Τάση	V _{AC}	230
Ισχύς	W	1300
Χωρητικότητα δοχείου	ml	500
Βάρος	kg	2,7

FSMH13101SM		
Τάση	V _{AC}	230
Ισχύς	W	1300
Χωρητικότητα δοχείου	ml	500
Βάρος	kg	2,8

FSMH13151SM		
Τάση	V _{AC}	230
Ισχύς	W	1300
Χωρητικότητα δοχείου	ml	500
Βάρος	kg	2,8

FSMH1321J		
Τάση	V _{AC}	230
Ισχύς	W	1300
Χωρητικότητα δοχείου	ml	500
Βάρος	kg	2,7

FSMH1321JSM		
Τάση	V _{AC}	230
Ισχύς	W	1300
Χωρητικότητα δοχείου	ml	500
Βάρος	kg	2,8

FSMH1321JMD		
Τάση	V _{AC}	230
Ισχύς	W	1300
Χωρητικότητα δοχείου	ml	500
Βάρος	kg	2,8

Αντιμέτωπιση προβλημάτων

Αν η συσκευή σας φαίνεται να μη λειτουργεί σωστά, ακολουθήστε τις παρακάτω οδηγίες. Αν αυτό δεν σας βοηθήσει να επιλύσετε το πρόβλημα, επικοινωνήστε με το πλησιέστερο κέντρο επισκευών της BLACK+DECKER.

ΠΡΟΒΛΗΜΑ	Βήμα	Πιθανή λύση
Η σφουγγαρίστρα ατμού δεν ενεργοποιείται	1.	Ελέγξτε ότι η μονάδα είναι συνδεδεμένη στην πρίζα τοίχου.
	2.	Ελέγξτε εάν η μονάδα είναι ενεργοποιημένη χρησιμοποιώντας τον διακόπτη ON/OFF (1)
	3.	Ελέγξτε την ασφάλεια στο φως.
Η σφουγγαρίστρα ατμού δεν παράγει ατμό	4.	Η σφουγγαρίστρα ατμού θα παράγει ατμό μόνο αν το καθαριστικό ατμού χειρός (5) έχει συνδεθεί σωστά στο κυρίως σώμα (11) ή έχει τοποθετηθεί ο εύκαμπτος σωλήνας ατμού ή το χειριστήριο Autoselect™ έχει γυριστεί στη θέση ενεργοποίησης
	5.	Ελέγξτε ότι το δοχείο νερού είναι γεμάτο. Σημείωση: Κατά την πρώτη πλήρωση ή αν τελειώσει το νερό κατά τη λειτουργία, μπορεί να χρειαστούν μέχρι και 45 δευτερόλεπτα για την παραγωγή ατμού.
	6.	Ελέγξτε το βήμα 1, μετά το βήμα 2, μετά το βήμα 3

ΠΡΟΒΛΗΜΑ	Βήμα	Πιθανή λύση
Η σφουγγαρίστρα ατμού σταματάει να παράγει ατμό κατά τη χρήση	7.	Ελέγξτε το βήμα 4, μετά το βήμα 5, μετά το βήμα 3
Η σφουγγαρίστρα ατμού παράγει πάρα πολύ ατμό κατά τη χρήση	8.	Περιστρέψτε τον περιστροφικό επιλογέα Autosselect™ (2) αριστερόστροφα για να μειώσετε την ποσότητα ατμού που παράγεται
Η σφουγγαρίστρα ατμού παράγει πολύ λίγο ατμό κατά τη χρήση	9.	Περιστρέψτε τον περιστροφικό επιλογέα Autosselect™ (2) δεξιόστροφα για να αυξήσετε την ποσότητα ατμού που παράγεται
Δεν παράγεται ατμός από τον ατμοκαθαριστή χειρός	10.	Ελέγξτε ότι τον περιστροφικό επιλογέα Autosselect™ (2) είναι στη θέση ενεργοποίησης
	11.	Ελέγξτε το βήμα 5, μετά το βήμα 1, μετά το βήμα 2, μετά το 3
Ο ατμοκαθαριστής χειρός παράγει πολύ λίγο ατμό κατά τη χρήση	12.	Περιστρέψτε τον περιστροφικό επιλογέα Autosselect™ (2) δεξιόστροφα για να αυξήσετε την ποσότητα ατμού που παράγεται
	13.	Ελέγξτε το βήμα 5
Ο ατμοκαθαριστής χειρός παράγει πάρα πολύ ατμό κατά τη χρήση	14.	Περιστρέψτε τον περιστροφικό επιλογέα Autosselect™ (2) αριστερόστροφα για να μειώσετε την ποσότητα ατμού που παράγεται
Τα αξεσουάρ πέφτουν συνεχώς από τη μονάδα	15.	Ανατρέξτε στο κεφάλαιο συναρμολόγησης για οδηγίες σωστής τοποθέτησης όλων των εξαρτημάτων και αξεσουάρ
Διαφεύγει ατμός από μη αναμενόμενες περιοχές της μονάδας	16.	Ανατρέξτε στο κεφάλαιο συναρμολόγησης για οδηγίες σωστής τοποθέτησης όλων των εξαρτημάτων και αξεσουάρ
Που μπορώ να βρω περισσότερες πληροφορίες/ αξεσουάρ	17.	www.blackanddecker.co.uk/steam mop www.blackanddecker.ie/steam mop

Συντήρηση και καθαρισμός

Αυτή η συσκευή με καλώδιο της BLACK+ DECKER έχει σχεδιαστεί έτσι ώστε να λειτουργεί για μεγάλο χρονικό διάστημα, με την ελάχιστη δυνατή συντήρηση. Η συνεχής ικανοποιητική λειτουργία εξαρτάται από τη σωστή φροντίδα και τον τακτικό καθαρισμό της συσκευής.

Προειδοποίηση! Πριν πραγματοποιήσετε οποιαδήποτε συντήρηση ή καθαρισμό στις συσκευές με καλώδια απενεργοποιήστε τις και βγάλτε τις από την πρίζα.

- ◆ Σκουπίστε τη συσκευή σας χρησιμοποιώντας ένα μαλακό υγρό πανί.
- ◆ Για επίμονους λεκέδες, μπορείτε να χρησιμοποιήσετε ένα ήπιο διάλυμα σαπουνιού με νερό για να υγράνετε το πανί σας.

Φροντίδα των εξαρτημάτων καθαρισμού

Οδηγίες φροντίδας πλυσίματος - Όχι μαλακτικό - Αφήστε να στεγνώσει πλήρως πριν χρησιμοποιήσετε εκ νέου.

Προσοχή! Ακολουθήστε τις οδηγίες καθαρισμού που αναγράφονται στην ετικέτα του εξαρτήματος καθαρισμού.

Αντικατάσταση του φινιρίσματος ρευματοληψίας (Ην. Βασιλεία & Ιρλανδία μόνο)

Αν χρειάζεται να τοποθετηθεί νέο φινιρίσματος ρευματοληψίας:

- ◆ Αφαιρέστε με ασφαλή τρόπο το παλιό φινιρίσματος.
- ◆ Συνδέστε τον καφέ αγωγό στον ηλεκτροφόρο ακροδέκτη του νέου ρευματοληψίας.
- ◆ Συνδέστε τον μπλε αγωγό στον ουδέτερο ακροδέκτη.
- ◆ Συνδέστε τον πράσινο/ κίτρινο αγωγό στον ακροδέκτη γείωσης.

Προειδοποίηση! Ακολουθήστε τις οδηγίες συναρμολόγησης που συνοδεύουν τα καλής ποιότητας φινιρίσματα. Συνιστώμενη ασφάλεια: 13A.

Προστασία του περιβάλλοντος



Χωριστή συλλογή. Τα προϊόντα και οι μπαταρίες που επισημαίνονται με αυτό το σύμβολο δεν πρέπει να απορρίπτονται μαζί με τα κανονικά οικιακά απορρίμματα.

Τα προϊόντα και οι μπαταρίες περιέχουν υλικά που μπορούν να ανακτηθούν ή να ανακυκλωθούν ώστε να μειωθούν οι ανάγκες για πρώτες ύλες.

Παρακαλούμε να ανακυκλώνετε τα ηλεκτρικά προϊόντα και τις μπαταρίες σύμφωνα με τους τοπικούς κανονισμούς. Περισσότερες πληροφορίες διατίθενται στον ιστότοπο www.2helpU.com

Εγγύηση

Η Black & Decker είναι σίγουρη για την ποιότητα των προϊόντων της και προσφέρει στους καταναλωτές εγγύηση 24 μηνών από την ημερομηνία αγοράς. Αυτή η εγγύηση συμπληρώνει και με κανένα τρόπο δεν παραβάλλει τα νόμιμα δικαιώματά σας. Η εγγύηση ισχύει εντός της επικράτειας των χωρών μελών της Ευρωπαϊκής Ένωσης και της Ευρωπαϊκής Ζώνης Ελεύθερων Συναλλαγών.

Για να υποβάλετε αξίωση βάσει της εγγύησης, η αξίωση θα πρέπει να είναι σύμφωνη με τους Όρους και προϋποθέσεις της Black&Decker και θα χρειαστεί να υποβάλετε απόδειξη αγοράς στον πωλητή ή σε εξουσιοδοτημένο αντιπρόσωπο σέρβις. Μπορείτε να αποκτήσετε τους Όρους και προϋποθέσεις της εγγύησης 2 ετών της Black&Decker και να μάθετε την τοποθεσία του πλησιέστερου εξουσιοδοτημένου αντιπροσώπου επισκευών στο Internet στο www.2helpU.com, ή επικοινωνώντας με το τοπικό σας γραφείο Black & Decker στη διεύθυνση που υποδεικνύεται στο παρόν εγχειρίδιο.

Παρακαλούμε επισκεφθείτε την ιστοσελίδα μας www.blackanddecker.gr για καταχωρίσετε το νέο σας προϊόν Black & Decker και για να ενημερώνεστε για τα νέα προϊόντα και τις ειδικές προσφορές.

België/Belgique/Luxembourg www.blackanddecker.be enduser.be@sbdinc.com	Stanley Black & Decker Belgium BVBA Egide Walschaertsstraat 16 2800 Mechelen	Tel. NL +32 15 47 37 65 Tel. FR +32 15 47 37 66 Fax. +32 15 47 37 99
Danmark	Black & Decker Roskildevej 22 2620 Albertslund	kundeservice.dk@sbdinc.com www.blackanddecker.dk
Deutschland www.blackanddecker.de infobfge@sdbinc.com	Stanley Black & Decker Deutschland GmbH Black & Decker Str. 40, D - 65510 Idstein	Tel. 06126 21-0 Fax 06126 21-2980
Ελλάδα www.blackanddecker.gr greece.service@sbdinc.com	Stanley Black & Decker (ΕΛΛΑΣ) Ε.Π.Ε ΓΡΑΦΕΙΑ: Σπύριδωνος 7 & Βουλιαγμένης 166 74 Γλυφάδα - Αθήνα	Τηλ. 210-8981616 Φαξ 210-8983570
SERVICE:	Ημερος Τόπος 2 -Χάνι Αδάμ 193 00 Ασπρόπυργος - Αθήνα	Τηλ. Service 210-8985208 Φαξ 210-5597598
España www.blackanddecker.es respuesta.posventa@sbdinc.com	Stanley Black & Decker Ibérica, S.C.A. Parc de Negocis "Mas Blau" Edificio Muntadas, c/Bergadá, 1, Of. A6 08820 El Prat de Llobregat (Barcelona)	Tel. 934 797 400 Fax 934 797 419
France www.blackanddecker.fr	Black & Decker (France) S.A.S. 5 allée des Hêtres B.P. 30084 69579 Limonest Cédex	Tel. 04 72 20 39 20 Fax 04 72 20 39 00
Helvetia www.blackanddecker.ch service@rofoag.ch	ROFO AG Gewerbezone Seeblick 3213 Kleinbödingen	Tel. 026-6749393 Fax 026-6749394
Italia www.blackanddecker.it service.italia@sbdinc.com	Stanley Black & Decker Italia Via Energypark 6 20871 Vimercate (MB)	Tel. 039-9590200 Fax 039-9590313 Numero verde 800-213935
Nederland www.blackanddecker.nl enduser.nl@sbdinc.com	Stanley Black & Decker Netherlands BV Holtum Noordweg 35, 6121 RE BORN Postbus 83, 6120 AB BORN	Tel. +31 164 283 065 Fax +31 164 283 200
Norge	Black & Decker Postboks 4613, Nydalen 0405 Oslo	kundeservice.no@sbdinc.com www.blackanddecker.no
Österreich www.blackanddecker.at service.austria@sbdinc.com	Stanley Black & Decker Austria GmbH Oberlaaerstraße 248, A-1230 Wien	Tel. 01 66116-0 Fax 01 66116-614
Portugal www.blackanddecker.pt resposta.posvenda@sbdinc.com	Black & Decker Limited SARL Quinta da Fonte - Edifício Q55 D. Diniz Rua dos Malhães, 2 e 2A - Piso 2 Esquerdo 2770 - 071 Paço de Arcos	Tel. 214667500 Fax 214667580
Suomi	Black & Decker PL47 00521, Helsinki	asiakaspalvelu.fi@sbdinc.com www.blackanddecker.fi
Sverige	Black & Decker AB Box 94, 431 22 Mölndal	kundservice.se@sbdinc.com www.blackanddecker.se
Türkiye www.blackanddecker.com.tr	KALE Hirdavat ve Makina A.Ş. Defferdar Mah. Savaklar Cad. No:15 Edimekapı / Eyüp / İstanbul 34050	Tel. 0212 533 52 55 Fax. 0212 533 10 05
United Kingdom & Republic Of Ireland www.blackanddecker.co.uk emeaservice@sbdinc.com	Black & Decker 210 Bath Road Slough, Berkshire SL1 3YD	Tel. 01753 511234 Fax 01753 512365
Middle East & Africa www.blackanddecker.ae service.mea@sbdinc.com	Black & Decker P.O.Box - 17164 Jebel Ali Free Zone (South), Dubai, UAE	Tel. +971 4 8863030 Fax +971 4 8863333