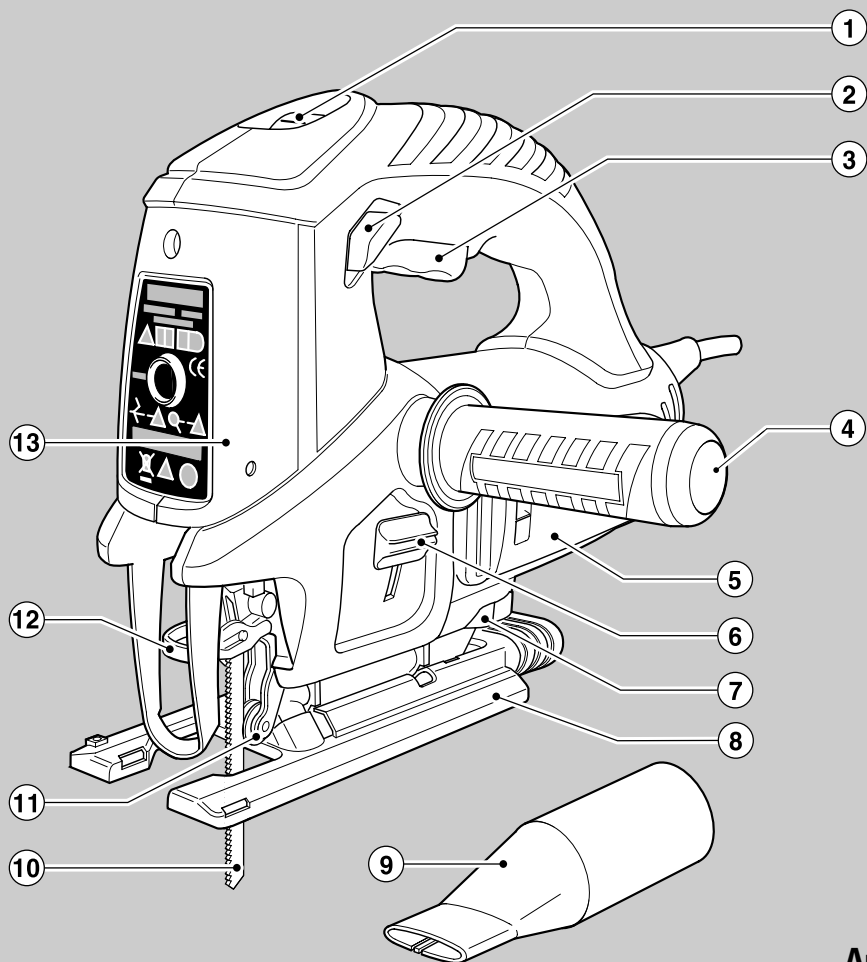




www.blackanddecker.com

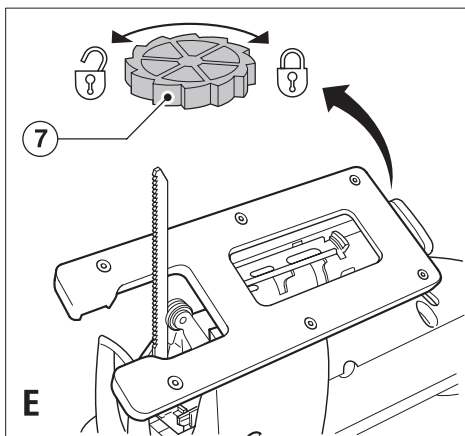
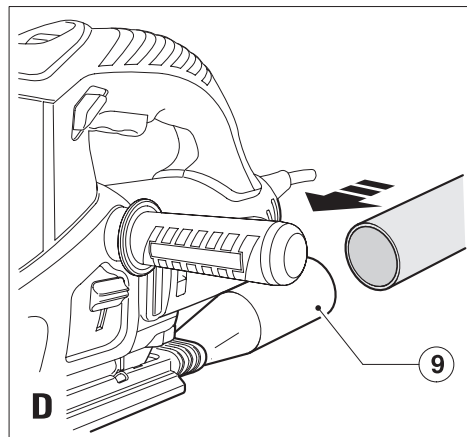
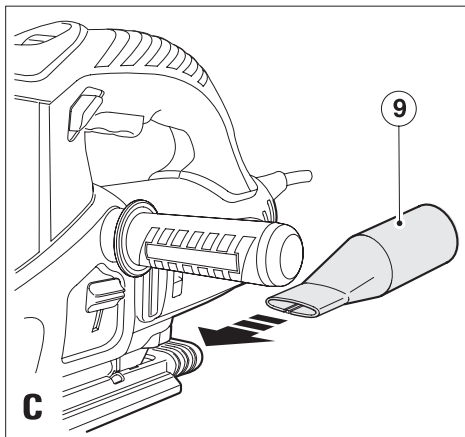
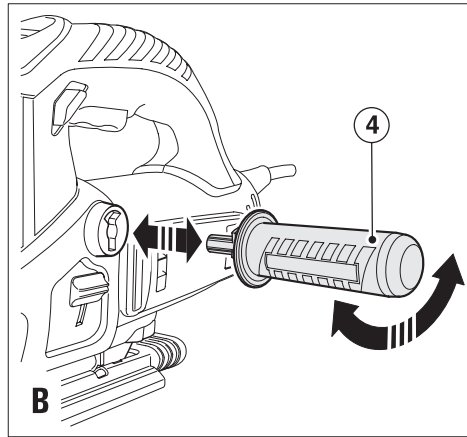
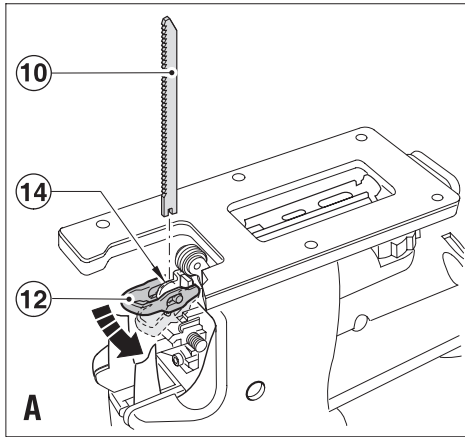


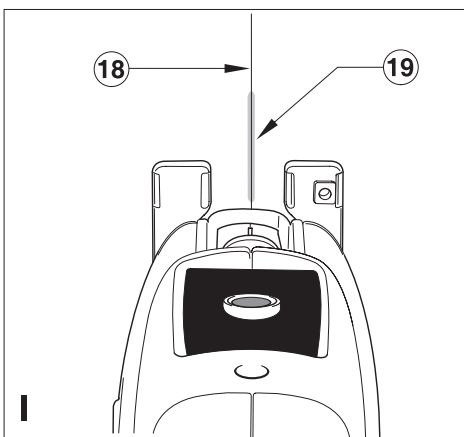
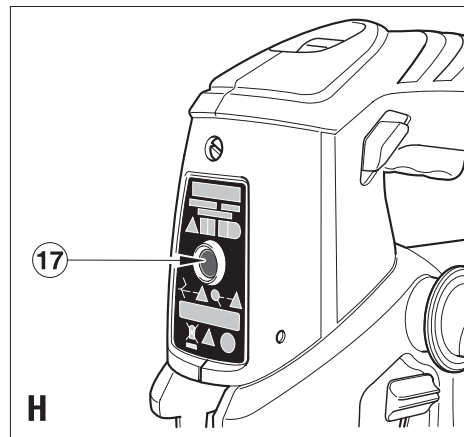
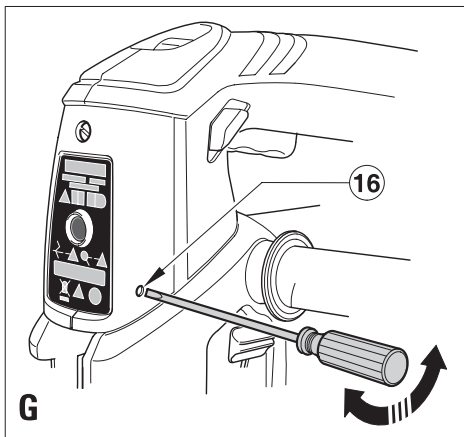
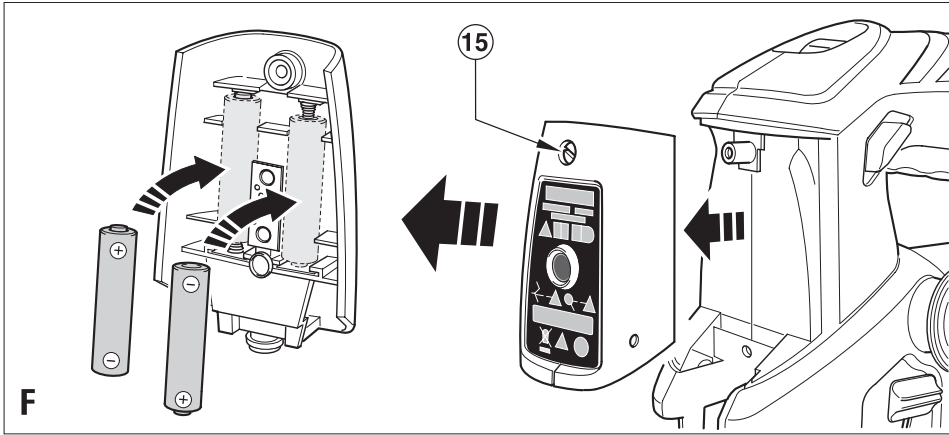
**UK**

**Ireland**

**Australia**

**New Zealand**





## Intended use

Your Black & Decker jigsaw has been designed for sawing wood, plastics and sheet metal. This tool is intended for consumer use only.

## General safety rules

Read all instructions. Failure to follow all instructions listed below may result in electric shock, fire and/or serious injury. The term "power tool" in all of the warnings listed below refers to your mains operated (corded) power tool or battery operated (cordless) power tool.

SAVE THESE INSTRUCTIONS.

### 1. Work area

- a. **Keep work area clean and well lit.** Cluttered and dark areas invite accidents.
- b. **Do not operate power tools in explosive atmospheres, such as in the presence of flammable liquids, gases or dust.** Power tools create sparks which may ignite the dust or fumes.
- c. **Keep children and bystanders away while operating a power tool.** Distractions can cause you to lose control.

### 2. Electrical safety

- a. **Power tool plugs must match the outlet. Never modify the plug in any way. Do not use any adapter plugs with earthed (grounded) power tools.** Unmodified plugs and matching outlets will reduce risk of electric shock.
- b. **Avoid body contact with earthed or grounded surfaces such as pipes, radiators, ranges and refrigerators.** There is an increased risk of electric shock if your body is earthed or grounded.
- c. **Do not expose power tools to rain or wet conditions.** Water entering a power tool will increase the risk of electric shock.
- d. **Do not abuse the cord. Never use the cord for carrying, pulling or unplugging the power tool. Keep cord away from heat, oil, sharp edges or moving parts.** Damaged or entangled cords increase the risk of electric shock.
- e. **When operating a power tool outdoors, use an extension cord suitable for outdoor use.** Use of a cord suitable for outdoor use reduces the risk of electric shock.

### 3. Personal safety

- a. **Stay alert, watch what you are doing and use common sense when operating a power tool. Do not use a power tool while you are tired or under the influence of drugs, alcohol or medication.** A moment of inattention while operating power tools may result in serious personal injury.

- b. **Use safety equipment. Always wear eye protection.**

Safety equipment such as dust mask, non-skid safety shoes, hard hat, or hearing protection used for appropriate conditions will reduce personal injuries.

- c. **Avoid accidental starting. Make sure that the switch is in the off position before plugging in.** Carrying power tools with your finger on the switch or plugging in power tools that have the switch on invites accidents.
- d. **Remove any adjusting key or wrench before turning the power tool on.** A wrench or a key left attached to a rotating part of the power tool may result in personal injury.
- e. **Do not overreach. Keep proper footing and balance at all times.** This enables better control of the power tool in unexpected situations.
- f. **Dress properly. Do not wear loose clothing or jewellery. Keep your hair, clothing and gloves away from moving parts.** Loose clothes, jewellery or long hair can be caught in moving parts.
- g. **If devices are provided for the connection of dust extraction and collection facilities, make sure that these are connected and properly used.** Use of these devices can reduce dust related hazards.

### 4. Power tool use and care

- a. **Do not force the power tool. Use the correct power tool for your application.** The correct power tool will do the job better and safer at the rate for which it was designed.
- b. **Do not use the power tool if the switch does not turn it on and off.** Any power tool that cannot be controlled with the switch is dangerous and must be repaired.
- c. **Disconnect the plug from the power source before making any adjustments, changing accessories, or storing power tools.** Such preventive safety measures reduce the risk of starting the power tool accidentally.
- d. **Store idle power tools out of the reach of children and do not allow persons unfamiliar with the power tool or these instructions to operate the power tool.** Power tools are dangerous in the hands of untrained users.
- e. **Maintain power tools. Check for misalignment or binding of moving parts, breakage of parts and any other condition that may affect the power tools operation. If damaged, have the power tool repaired before use.** Many accidents are caused by poorly maintained power tools.
- f. **Keep cutting tools sharp and clean.** Properly maintained cutting tools with sharp cutting edges are less likely to bind and are easier to control.
- g. **Use the power tool, accessories and tool bits etc., in accordance with these instructions and in the manner intended for the particular type of power tool, taking into account the working conditions and the work to be performed.** Use of the power tool for operations different from those intended could result in a hazardous situation.

## 5. Service

### a. Have your power tool serviced by a qualified repair person using only identical replacement parts.

This will make sure that the safety of the power tool is maintained.

### Electrical safety



This tool is double insulated; therefore no earth wire is required. Always check that the power supply corresponds to the voltage on the rating plate.

### Additional safety instructions for non-rechargeable batteries

- ◆ Never attempt to open for any reason.
- ◆ Do not store in locations where the temperature may exceed 40 °C.
- ◆ When disposing of batteries, follow the instructions given in the section "Protecting the environment".

Do not incinerate the batteries.

- ◆ Under extreme conditions, battery leakage may occur. When you notice liquid on the batteries, proceed as follows:
  - Carefully wipe the liquid off using a cloth. Avoid skin contact.

### Additional safety instructions for lasers



Read all of this manual carefully.



This product is not to be used by children under 16.



Laser radiation.



Do not look into the laser beam.



Do not use optical tools to view the laser beam.

- ◆ This laser complies with class 2 according to IEC 60825+A1+A2:2001. Do not replace a laser diode with a different type. If the laser is damaged, have the laser repaired by an authorised repair agent.
- ◆ Do not use the laser for any purpose other than projecting laser lines.
- ◆ An exposure of the eye to the beam of a class 2 laser is considered safe for a maximum of 0.25 seconds. Eyelid reflexes will normally provide adequate protection. At distances greater than 1m, the laser complies with class 1 and is therefore considered completely safe.
- ◆ Never look into the laser beam directly and intentionally.
- ◆ Do not use optical tools to view the laser beam.

- ◆ Do not set up the tool where the laser beam can cross any person at head height.
- ◆ Do not let children come near the laser.

### Additional safety instructions for jigsaws

**Warning!** Contact with, or inhalation of dusts arising from cutting applications may endanger the health of the operator and possible bystanders. Wear a dust mask specifically designed for protection against dust and fumes and ensure that persons within or entering the work area are also protected.

### Additional safety instructions for Australia and New Zealand

- ◆ This appliance is not intended for use by young or infirm persons without supervision. Children must be supervised to ensure they do not play with the appliance.
- ◆ If the supply cord is damaged, it must be replaced by the manufacturer or an authorised Black & Decker Service Centre in order to avoid a hazard.

### Features

This tool includes some or all of the following features:

1. Variable speed control knob
2. Lock-on button
3. On/off switch
4. Side handle
5. Saw blade storage compartment
6. Turbo selector
7. Shoe plate locking knob
8. Shoe plate
9. Dust extraction adaptor
10. Saw blade
11. Saw blade support roller
12. Saw blade locking lever
13. Laser module (not supplied with KS1000NL)

### Assembly

**Warning!** Before attempting any of the following operations, make sure that the tool is switched off and unplugged and that the saw blade has stopped. Used saw blades may be hot.

### Fitting the saw blade (fig. A)

- ◆ Hold the saw blade (10) as shown, with the teeth facing forward.
- ◆ Push the lever (12) downwards.
- ◆ Insert the shank of the saw blade into the blade holder (14) as far as it will go.
- ◆ Release the lever (12).

#### **Fitting and removal of the side handle (fig. B)**

- ◆ The side handle (4) can be fitted to either the left or right side of the tool.
- ◆ Align and insert the side handle (4) into the location on the tool, then rotate it towards the rear until it locks into place.
- ◆ To remove, rotate it towards the front until it stops, then pull it out of the location.

#### **Connecting a vacuum cleaner to the tool (fig. C & D)**

- ◆ Attach the dust extraction adaptor (9) to the shoe plate (8) as shown.
- ◆ Connect the vacuum cleaner hose (not supplied) to the adaptor.

#### **Use**

**Warning!** Never use the tool when the shoe plate is loose or removed.

#### **Adjusting the shoe plate for bevel cuts (fig. E)**

The shoe plate can be set to a left or right bevel angle of up to 45°.

- ◆ Turn the shoe plate locking knob (7) counter-clockwise to release the shoe plate (8).
- ◆ Pull the shoe plate (8) backwards and set it to the required angle. You can use a protractor to check the angle.
- ◆ Turn the locking knob (7) clockwise to lock the shoe plate in place.

To reset the shoe plate for straight cuts:

- ◆ Turn the locking knob (7) counter-clockwise to release the shoe plate (8).
- ◆ Set the shoe plate (8) to an angle of approx. 0° then push it forward.
- ◆ Turn the locking knob (7) clockwise to lock the shoe plate in place. Make sure that the shoe plate is supported by the guide ribs.

#### **Variable speed control**

- ◆ Set the variable speed control knob (1) to the required speed range. Use a high speed for wood, medium speed for aluminium and PVC and low speed for metals other than aluminium.

#### **Turbo selector**

- ◆ For accurate straight and curve cutting and a smooth surface finish, set the turbo selector (6) to position 0.
- ◆ For fast and efficient straight cuts in wood, set the turbo selector (6) to position 2.

#### **Switching on and off**

- ◆ To switch the tool on, press the on/off switch (3).
- ◆ To switch the tool off, release the on/off switch (3).
- ◆ For continuous operation, press the lock-on button (2) and release the on/off switch.

- ◆ To switch the tool off when in continuous operation, press the on/off switch (3) once more and release it.

#### **Operating the laser (fig. F - I)**

(Not supplied with the KS1000NL)

#### **Installing the batteries (fig. F)**

Detach the laser module (13) from the jigsaw by removing the screw (15) and pulling the laser module forward. Insert two new 1.5 Volt AAA alkaline batteries, making sure to match the (+) and (-) terminals correctly. Re-attach the laser module (13).

#### **Adjusting the laser side-to-side (fig. G)**

**Note:** The laser is intended as a cutting aid and does not guarantee a precise cut.

**Warning!** Do not adjust the laser with the jigsaw plugged in.

- ◆ Use the laser adjustment screw (16) to align the laser line with the saw blade if needed.

The laser visibility (power) will be reduced if the jigsaw is overheated. The laser may not be visible when the saw is overloaded for a prolonged period of time. The laser visibility will gradually return to normal when the tool cools down even when the tool is unplugged.

**Warning!** Do not leave the overheated laser switched ON.

Make sure that the switch is in the OFF position and remove the batteries to cut power to the laser.

#### **Using the laser (fig. H & I)**

The laser projects the line of cut on to the surface of the workpiece.

- ◆ To switch the laser on, press the button (17).
- ◆ To switch the laser off, press the button (17) again.

Viewing from directly above the jigsaw, the line of cut can be easily followed. Should this view be restricted for any reason, the laser can be used as an alternative cutting guide.

- ◆ Use a pencil to mark the cutting line.
- ◆ Position the jigsaw over the line.
- ◆ Switch on the laser.

#### **Hints for optimum use**

Sawing laminates

Because the saw blade cuts on the upward stroke, splintering may occur on the surface closest to the shoe plate.

- ◆ Use a fine-tooth saw blade.
- ◆ Saw from the back surface of the workpiece.
- ◆ To minimise splintering, clamp a piece of scrap wood or hardboard to both sides of the workpiece and saw through this sandwich.

#### Sawing metal

- ◆ Be aware that sawing metal takes much more time than sawing wood.
- ◆ Use a saw blade suitable for sawing metal.
- ◆ When cutting thin sheet metal, clamp a piece of scrap wood to the back surface of the workpiece and cut through this sandwich.
- ◆ Spread a film of oil along the intended line of cut.

#### Accessories

The performance of your tool depends on the accessory used. Black & Decker and Piranha (not for Australia and New Zealand) accessories are engineered to high quality standards and are designed to enhance the performance of your tool. By using these accessories, you will get the very best from your tool.

This tool is suitable both for U-shank and T-shank saw blades.

#### Maintenance

Your Black & Decker tool has been designed to operate over a long period of time with a minimum of maintenance. Continuous satisfactory operation depends upon proper tool care and regular cleaning.

- ◆ Regularly clean the ventilation slots with a clean, dry paintbrush.
- ◆ To clean the tool, use only mild soap and a damp cloth. Never let any liquid get inside the tool and never immerse any part of the tool into liquid.
- ◆ Occasionally apply a drop of oil to the axle of the blade support roller.

#### Mains plug replacement (U.K. & Ireland only)

If a new mains plug needs to be fitted:

- ◆ Safely dispose of the old plug.
- ◆ Connect the brown lead to the live terminal in the new plug.
- ◆ Connect the blue lead to the neutral terminal.

**Warning!** No connection is to be made to the earth terminal. Follow the fitting instructions supplied with good quality plugs. Recommended fuse: 5 A.

#### Protecting the environment



Should you find one day that your tool needs replacement, or if it is of no further use to you, think of the protection of the environment. Black & Decker repair agents will accept old Black & Decker tools and ensure that they are disposed of in an environmentally safe way.



Separate collection of used products and packaging allows materials to be recycled and used again. Re-use of recycled materials helps prevent environmental pollution and reduces the demand for raw materials.

Local regulations may provide for separate collection of electrical products from the household, at municipal waste sites or by the retailer when you purchase a new product.

Black & Decker provides a facility for the collection and recycling of Black & Decker products once they have reached the end of their working life. To take advantage of this service please return your product to any authorised repair agent who will collect them on our behalf.

You can check the location of your nearest authorised repair agent by contacting your local Black & Decker office at the address indicated in this manual. Alternatively, a list of authorised Black & Decker repair agents and full details of our after-sales service and contacts are available on the Internet at: [www.2helpU.com](http://www.2helpU.com).



At the end of their useful life, discard batteries with due care for our environment. Remove the batteries as described above.

- ◆ Place the batteries in suitable packaging to ensure that the terminals cannot be short-circuited.
- ◆ Take the batteries to a local recycling station.

### Technical data

KS1000E/KS1000NL/KS1001E/KS1002E	
Power input	W 710
Number of strokes (no load)	min-1 800-3,200
Max depth of cut	
Wood	mm 85
Steel	mm 4
Aluminium	mm 10

### EC declaration of conformity

KS1000E/KS1000NL/KS1001E/KS1002E

Black & Decker declares that these products conform to:  
98/37/EC, 89/336/EEC, EN 60745, EN 55014, EN61000,

IEC 60825+A1+A2:2001

$L_{pA}$  (sound pressure) 88 dB(A),

$L_{WA}$  (acoustic power) 99 dB(A),

hand/arm weighted vibration  $<6.3 \text{ m/s}^2$

$K_{pa}$  (sound pressure uncertainty 3 dB(A),

$K_{Wa}$  (sound power uncertainty 3 dB(A),



Kevin Hewitt

Director of Consumer Engineering  
Spennymoor, County Durham  
DL16 6JG,

United Kingdom

30-06-2006

### Guarantee

Black & Decker is confident of the quality of its products and offers an outstanding guarantee. This guarantee statement is in addition to and in no way prejudices your statutory rights. The guarantee is valid within the territories of the Member States of the European Union and the European Free Trade Area.

If a Black & Decker product becomes defective due to faulty materials, workmanship or lack of conformity, within 24 months from the date of purchase, Black & Decker guarantees to replace defective parts, repair products subjected to fair wear and tear or replace such products to make sure of the minimum inconvenience to the customer unless:

- ◆ The product has been used for trade, professional or hire purposes.
- ◆ The product has been subjected to misuse or neglect.
- ◆ The product has sustained damage through foreign objects, substances or accidents.
- ◆ Repairs have been attempted by persons other than authorised repair agents or Black & Decker service staff.

To claim on the guarantee, you will need to submit proof of purchase to the seller or an authorised repair agent. You can check the location of your nearest authorised repair agent by contacting your local Black & Decker office at the address indicated in this manual. Alternatively, a list of authorised Black & Decker repair agents and full details of our after-sales service and contacts are available on the Internet at:

**[www.2helpU.com](http://www.2helpU.com)**

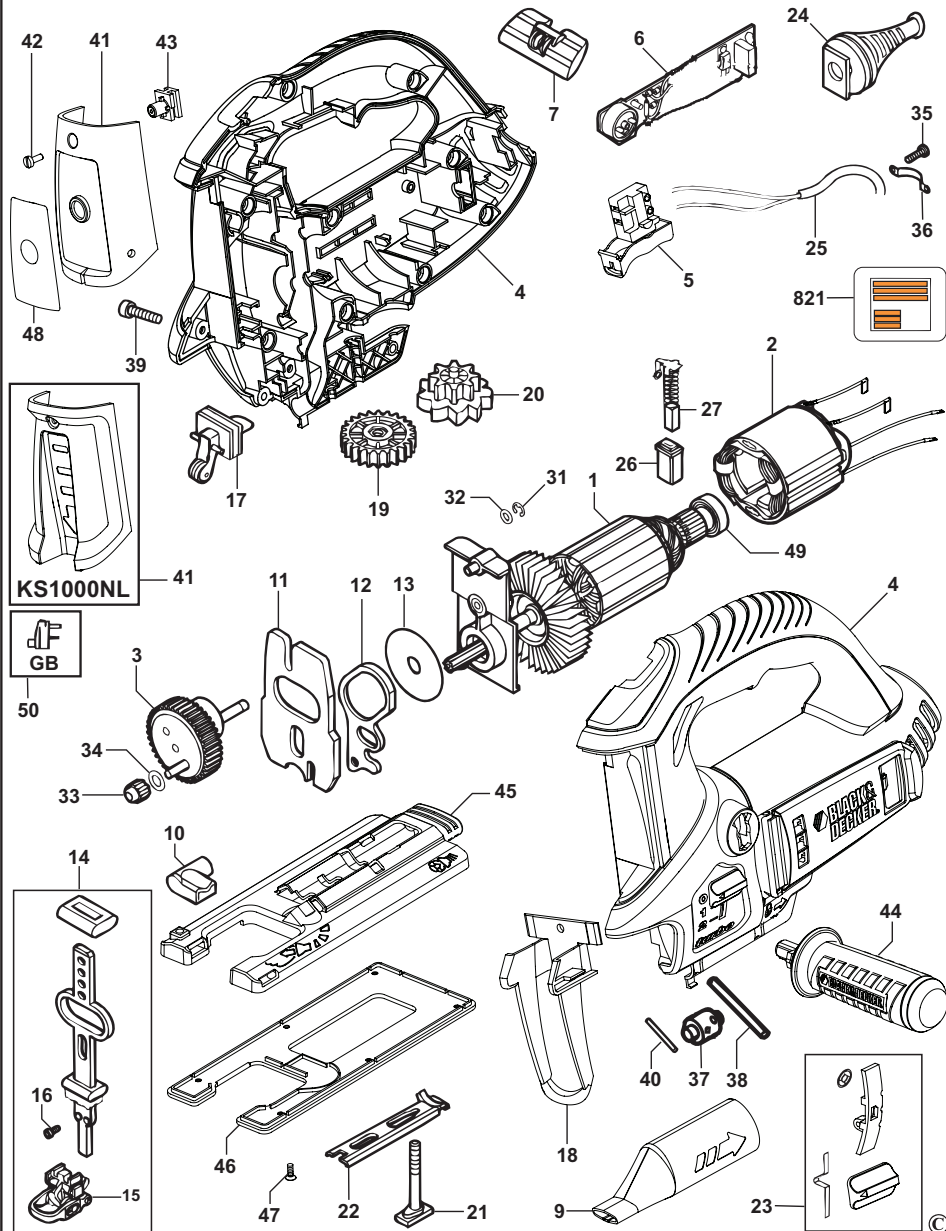
Please visit our website **[www.blackanddecker.co.uk](http://www.blackanddecker.co.uk)** to register your new Black & Decker product and to be kept up to date on new products and special offers. Further information on the Black & Decker brand and our range of products is available at **[www.blackanddecker.co.uk](http://www.blackanddecker.co.uk)**.





KS1000E - KS1000NL  
KS1001E - KS1002E

TYP  
1



E14729

www.2helpU.com

08-05-06





**Australia**

Black & Decker (Australia) Pty. Ltd. Tel. 03-8720 5100  
20 Fletcher Road, Mooroolbark, Fax 03-9727 5940  
Victoria, 3138

**New Zealand**

Black & Decker Tel. 09 579 7600  
81 Hugo Johnston Drive Fax 09 579 8200  
Penrose, Auckland, New Zealand

**United Kingdom**

Black & Decker Tel. 01753 511234  
210 Bath Road Fax 01753 551155  
Slough, Berkshire SL1 3YD Helpline 01753 574277