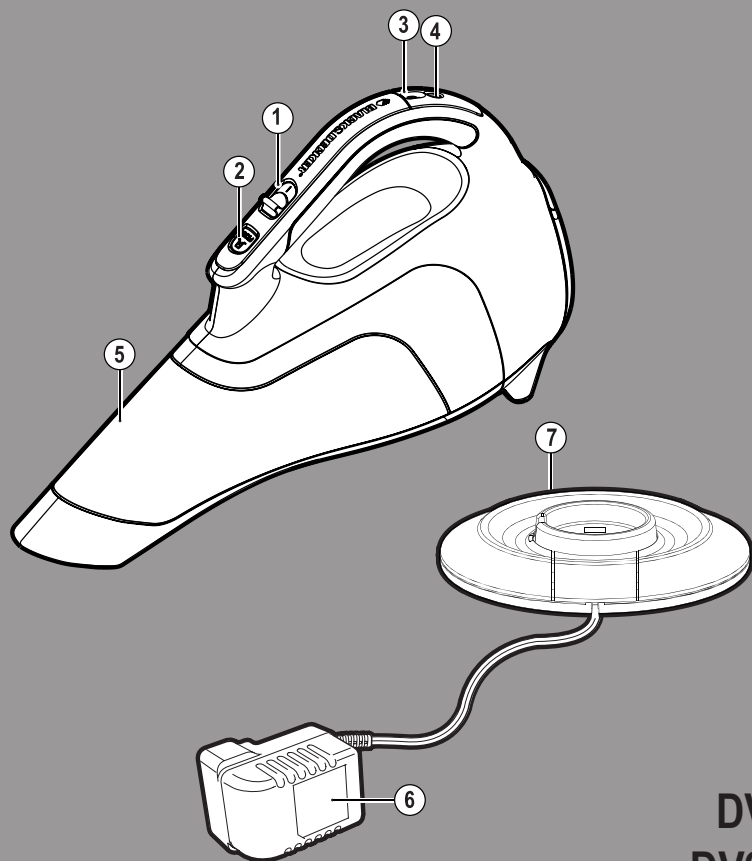
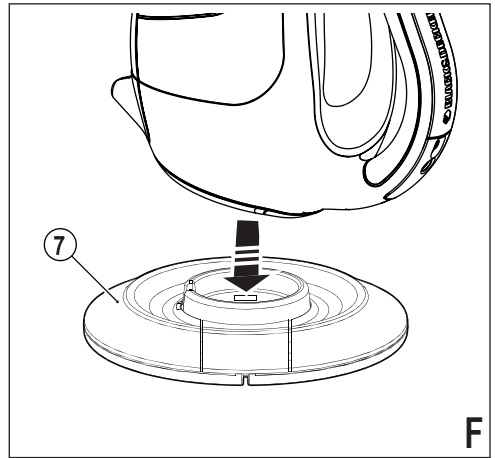
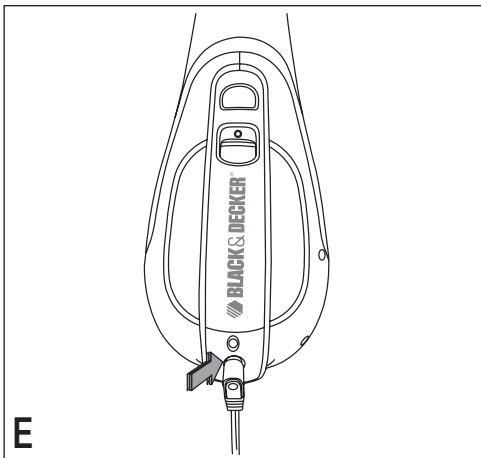
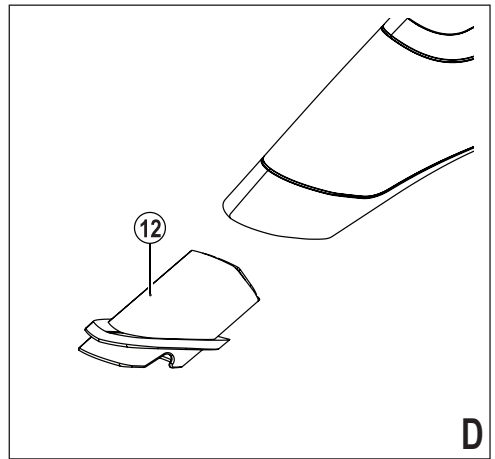
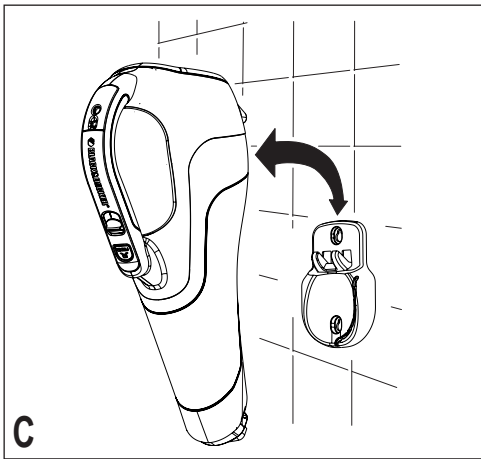
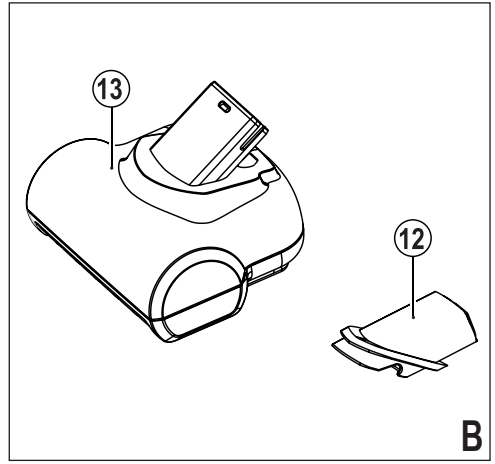
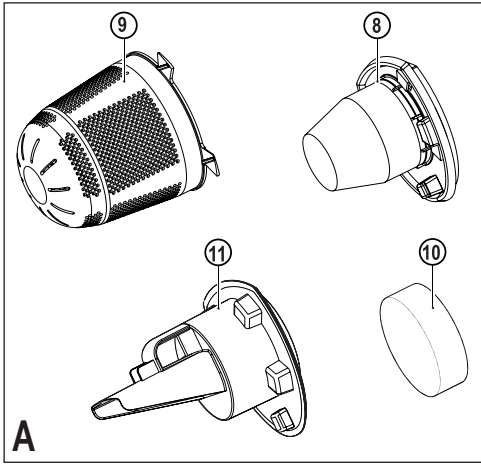


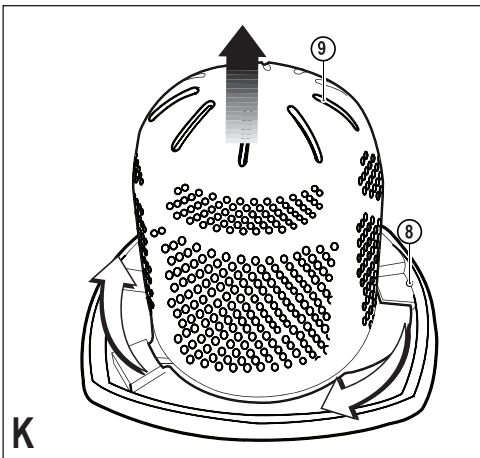
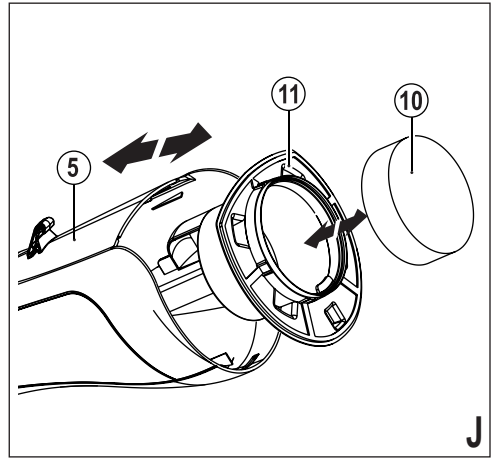
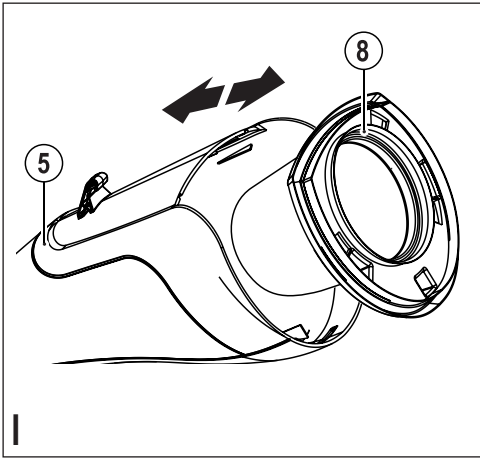
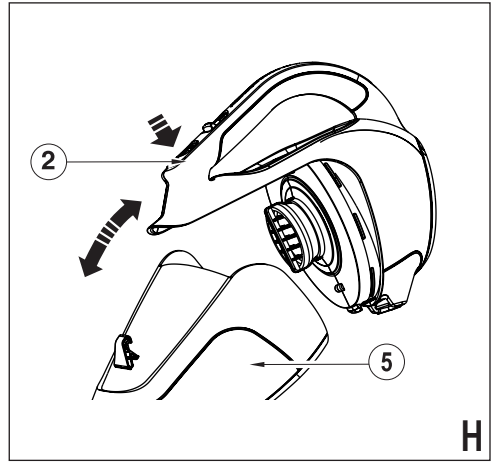
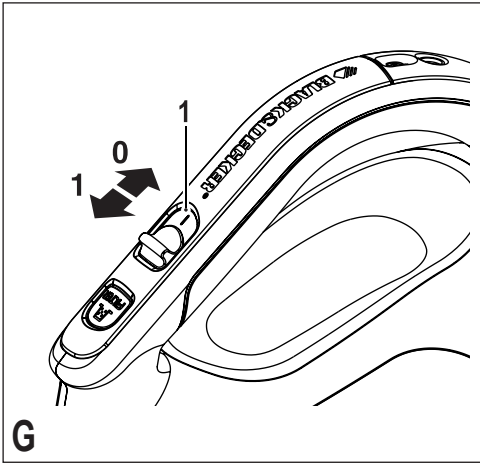
 **BLACK & DECKER®**



DV4800N  
DV9610PN  
WD4810N  
WD7210N  
WD9610N  
WD9610ECN

[www.blackanddecker.co.uk](http://www.blackanddecker.co.uk)





### Intended use

Your Black & Decker Dustbuster® handheld vacuum cleaner has been designed for light dry vacuum cleaning purposes (DV4800N, DV9610PN). This appliance is intended for household use only.

Your Black & Decker Dustbuster® handheld vacuum cleaner has been designed for light wet and dry vacuum cleaning purposes (WD4810N, WD7210N, WD9610N and WD9610ECN). This appliance is intended for household use only.

## Safety instructions



**Warning! Read all safety warnings and all instructions.** Failure to follow the warnings and instructions listed below may result in electric shock, fire and/or serious injury.



**Warning!** When using battery-powered appliances, basic safety precautions, including the following, should always be followed to reduce the risk of fire, leaking batteries, personal injury and material damage.

- ♦ Read all of this manual carefully before using the appliance.
- ♦ The intended use is described in this manual. The use of any accessory or attachment or the performance of any operation with this appliance other than those recommended in this instruction manual may present a risk of personal injury.
- ♦ Retain this manual for future reference.

## Using your appliance

- ♦ Do not use the appliance to pick up liquids or any materials that could catch fire.
- ♦ Do not use the appliance near water.
- ♦ Do not immerse the appliance in water.
- ♦ Never pull the charger lead to disconnect the charger from the socket. Keep the charger lead away from heat, oil and sharp edges.
- ♦ This appliance can be used by children aged from 8 years and above and persons with reduced physical, sensory or mental capabilities or lack of experience and knowledge if they have been given supervision or instruction concerning use of the appliance in a safe way and understand the hazards involved. Children shall not play with the appliance. Cleaning and user maintenance shall not be made by children without supervision.

## Inspection and repairs

- ♦ Before use, check the appliance for damaged or defective parts. Check for breakage of parts, damage to switches and any other conditions that may affect its operation.
- ♦ Do not use the appliance if any part is damaged or defective.
- ♦ Have any damaged or defective parts repaired or replaced by an authorized repair agent.
- ♦ Regularly check the charger lead for damage. Replace the charger if the lead is damaged or defective.

- ◆ Never attempt to remove or replace any parts other than those specified in this manual.

## Additional safety instructions

### After use

- ◆ Unplug the charger before cleaning the charger or charging base.
- ◆ When not in use, the appliance should be stored in a dry place.
- ◆ Children should not have access to stored appliances.

### Residual risks.

Additional residual risks may arise when using the tool which may not be included in the enclosed safety warnings. These risks can arise from misuse, prolonged use etc.

Even with the application of the relevant safety regulations and the implementation of safety devices, certain residual risks can not be avoided. These include:

- ◆ Injuries caused by touching any rotating/moving parts.
- ◆ Injuries caused when changing any parts, blades or accessories.
- ◆ Injuries caused by prolonged use of a tool. When using any tool for prolonged periods ensure you take regular breaks.
- ◆ Impairment of hearing.
- ◆ Health hazards caused by breathing dust developed when using your tool (example:- working with wood, especially oak, beech and MDF.)

## Batteries and chargers

### Batteries

- ◆ Never attempt to open for any reason.
- ◆ Do not expose the battery to water.
- ◆ Do not expose the battery to heat.
- ◆ Do not store in locations where the temperature may exceed 40°C.
- ◆ Charge only at ambient temperatures between 10°C and 40°C.
- ◆ Charge only using the charger provided with the appliance/tool. Using the wrong charger could result in an electric shock or overheating of the battery.
- ◆ When disposing of batteries, follow the instructions given in the section "Protecting the environment".
- ◆ Do not damage/deform the battery pack either by puncture or impact, as this may create a risk of injury and fire.
- ◆ Do not charge damaged batteries.

- ◆ Under extreme conditions, battery leakage may occur. When you notice liquid on the batteries carefully wipe the liquid off using a cloth. Avoid skin contact.
- ◆ In case of skin or eye contact, follow the instructions below.

**Warning!** The battery fluid may cause personal injury or damage to property. In case of skin contact, immediately rinse with water. If redness, pain or irritation occurs seek medical attention. In case of eye contact, rinse immediately with clean water and seek medical attention.

### Chargers

Your charger has been designed for a specific voltage. Always check that the mains voltage corresponds to the voltage on the rating plate.


**Warning!** Never attempt to replace the charger unit with a regular mains plug.


- ◆ Use your Black & Decker charger only to charge the battery in the appliance/tool with which it was supplied. Other batteries could burst, causing personal injury and damage.
- ◆ Never attempt to charge nonrechargeable batteries.
- ◆ If the supply cord is damaged, it must be replaced by the manufacturer or an authorised Black & Decker Service Centre in order to avoid a hazard.
- ◆ Do not expose the charger to water.
- ◆ Do not open the charger.
- ◆ Do not probe the charger.
- ◆ The appliance/tool/battery must be placed in a well ventilated area when charging.


### Electrical safety

Your charger has been designed for a specific voltage. Always check that the mains voltage corresponds to the voltage on the rating plate. Never attempt to replace the charger unit with a regular mains plug.

### Symbols on the charger

 Read all of this manual carefully before using the appliance.

 This tool is double insulated; therefore no earth wire is required. Always check that the power supply corresponds to the voltage on the rating plate.

 Short circuit proof safety isolating transformer. The mains supply is electrically separated from the transformer output.



The charger automatically shuts off if the ambient temperature becomes too high. As a consequence the charger will be inoperable. The charging base must be disconnected from the mains supply and taken to an authorised service centre for repair.



The charging base is intended for indoor use only.

## Features

This tool includes some or all of the following features.

1. On/off switch
2. Bowl release button
3. Charging indicator
4. Charging socket (DV4800N, DV9610PN and WD9610ECN Only)
5. Dust bowl
6. Charger
7. Charging base (WD4810N, WD7210N and WD9610N Only)

## Fig. A

8. Dry pick up cloth filter (DV4800N, DV9610PN Only)
9. Pre-filter (DV9610N Only)
10. Wet/Dry foam insert (WD4810N, WD7210N, WD9610ECN and WD9610N Only)
11. Wet/Dry deflector (WD4810N, WD7210N, WD9610ECN and WD9610N Only)

## Fig. B

12. Squeegee (WD4810N, WD7210N, WD9610ECN and WD9610N Only)
13. Powered brush head (DV9610PN Only)

## Installation

### Wall Mounting (fig. C) (DV9610PN and WD9610ECN Only)

The product can be attached to a wall to provide a convenient storage and charging point for the appliance.

When fixing to a wall, make sure that the fixing method is suitable for the wall type and is appropriate to the weight of the appliance.

- ◆ Mark the location of the screw holes (within reach of an electrical outlet for charging the vac while it is on the wall bracket).
- ◆ Insert the charger cord into the curved slot in the wall mount bracket leaving approximately 8-9 inches excess.
- ◆ Hang the appliance on the wall by placing the opening on the base of the vac over the hooks in the wall mount bracket.

## Assembly

### Accessories (fig. B)

These models may be supplied with some of the following accessories:

- ◆ A squeegee tool (12) for wet use on hard surfaces. (WD4810N, WD7210N, WD9610ECN and WD9610N Only)
- ◆ A powered brush head (13) for vacuuming on cut pile carpeting. The brush head is particularly useful for picking up hair, threads, etc. (DV9610PN Only)

### Fitting (Fig. D)

- ◆ Insert the appropriate accessory into the front of the appliance. Make sure that the accessory is pushed fully in.

## Use

- ◆ Before first use, the battery must be charged for at least 24 hours.
- ◆ Place the appliance on the charging base whenever it is not in use. (WD4810N, WD7210N and WD9610N Only)

**Warning!** Before charging, be sure to empty all liquid contents and dry thoroughly, to avoid damage to your appliance.

### Charging the battery (Fig. E & F)

- ◆ Make sure that the appliance is switched off. The battery will not be charged with the on/off switch in the on position.
- ◆ Plug the jack plug of the charger (6) into the charging socket (4) of the appliance (Fig. E). (DV4800N, WD9610ECN and DV9610PN Only)
- ◆ Place the appliance on the charging base (7) (Fig. F). (WD4810N, WD7210N and WD9610N Only)
- ◆ Plug in the charger. Switch on at the mains. The charging indicator (3) will be lit.
- ◆ Leave the appliance to charge for at least 16 hours.

While charging, the charger may become warm. This is normal and does not indicate a problem. The appliance can be left connected to the charger indefinitely. The charging indicator (3) will be lit as long as the appliance is connected to the plugged-in charger.

**Warning!** Do not charge the battery at ambient temperatures below 4 °C or above 40 °C.

### Switching on and off (fig. G)

- ◆ To switch the appliance on, slide the on/off switch (1) forward to position 1.
- ◆ To switch the appliance off, slide the on/off switch (1) back to position 0.

**Dry pick up (DV4800N, DV9610PN)**

- ◆ For everyday spills of dry material.

**Wet and dry pick up (WD4810N, WD7210N, WD9610ECN and WD9610N Only)**

- ◆ For everyday spills of dry material, use your appliance without the squeegee accessory.

**Warning!** Your product is designed for light spills only.

- ◆ This appliance can also be used to pick up everyday liquid spills. Use the squeegee accessory on non-absorbent, hard surfaces. On absorbent surfaces, such as carpet, your appliance will pick up wet spills better without the accessory.
- ◆ For best performance on hard surface wet pickups, insert squeegee into the bowl nozzle opening.
- ◆ For best results when using this accessory, hold the appliance at an angle of 45° and pull it slowly towards you.
- ◆ Do not fill the bowl beyond the end of the intake chute. If there is any liquid in the bowl, do not turn the unit upside down, sideways, point the nozzle upward, or shake the vac excessively.
- ◆ After picking up liquid substances clean the appliance and filter immediately. Mold and mildew may form if the unit is not properly cleaned after wet pickups.
- ◆ Before charging, be sure to empty all liquid contents and dry thoroughly, to avoid damage to your appliance.

**Optimising the suction force**

In order to keep the suction force optimised, the filters must be cleared regularly during use.

**Emptying and cleaning the product.****Removing the dust bowl and filters (fig. H, I, J & K).**

**Warning!** The filters are re-usable and should be cleaned regularly.

- ◆ Press the release latch (2) and pull the dust bowl (5) straight off.
- ◆ While holding the dust bowl over a bin or sink, pull out the filter to empty the contents of the bowl.
- ◆ To replace the dust bowl, place it back onto the handle until it "clicks" firmly into position.

**Warning!** Never use the appliance without the filters. Optimum dust collection will only be achieved with clean filters.

**Foam insert (fig. J) (WD4810N, WD7210N, WD9610ECN and WD9610N)**

- ◆ Place the foam insert (10) into the centre of the wet/dry deflector (11).

**Warning!** Never use the appliance for wet applications without the water deflector and foam insert fitted.

**Pre-filter (fig. K) (DV9610PN)**

The Filter and pre-filter can be separated to allow better cleaning.

- ◆ Twist the pre-filter (9) in a clockwise direction and lift from the filter (8).

**Cleaning the dust bowls and filters**

- ◆ The dust bowls and filters can be washed in warm soapy water.
- ◆ Make sure that the filters and the dust bowl are dry before re-fitting.

**Replacing the filters**

The filters should be replaced every 6 to 9 months and whenever worn or damaged.

Replacement filters are available from your Black & Decker dealer:

For model: DV4800N use filter part number VF110-XJ

For models: DV9610PN use filter part number VF110P-XJ

For models: WD4810N, WD7210N, WD9610ECN and WD9610N use filter part number WVF110-XJ

**Maintenance**

Your Black & Decker corded/cordless appliance/tool has been designed to operate over a long period of time with a minimum of maintenance. Continuous satisfactory operation depends upon proper tool care and regular cleaning.

**Warning!** Before performing any maintenance on corded/cordless power tools:

- ◆ Switch off and unplug the appliance/tool.
- ◆ Or switch off and remove the battery from the appliance/tool if the appliance/tool has a separate battery pack.
- ◆ Or run the battery down completely if it is integral and then switch off.
- ◆ Unplug the charger before cleaning it. Your charger does not require any maintenance apart from regular cleaning.
- ◆ Regularly clean the ventilation slots in your appliance/tool/charger using a soft brush or dry cloth.
- ◆ Regularly clean the motor housing using a damp cloth. Do not use any abrasive or solvent-based cleaner.

**Protecting the environment**

Separate collection. This product must not be disposed of with normal household waste.

Should you find one day that your Black & Decker product needs replacement, or if it is of no further use to you, do not dispose of it with household waste. Make this product available for separate collection.



Separate collection of used products and packaging allows materials to be recycled and used again. Re-use of recycled materials helps prevent environmental pollution and reduces the demand for raw materials.

Local regulations may provide for separate collection of electrical products from the household, at municipal waste sites or by the retailer when you purchase a new product.

Black & Decker provides a facility for the collection and recycling of Black & Decker products once they have reached the end of their working life. To take advantage of this service please return your product to any authorised repair agent who will collect them on our behalf.

You can check the location of your nearest authorised repair agent by contacting your local Black & Decker office at the address indicated in this manual. Alternatively, a list of authorised Black & Decker repair agents and full details of our after-sales service and contacts are available on the Internet at: [www.2helpU.com](http://www.2helpU.com)

## Battery



If you want to dispose of the product yourself, the battery must be removed as described below and disposed of in accordance with local regulations.

- ◆ Preferably discharge the battery by operating the appliance until the motor stops.
- ◆ Press the release button (2) and remove the dust bowl (5).
- ◆ Remove the seven screws holding the body of the appliance together.
- ◆ Lift the housing cover away from the assembly.
- ◆ Detach all lead connections from the battery pack.
- ◆ Remove battery pack.
- ◆ Place the battery in a suitable packaging to ensure that the terminals cannot be short-circuited.
- ◆ Take the battery to your service agent or to a local recycling station.

Once removed, the battery cannot be refitted.

## Technical data

		DV4800N (H1) WD4810N (H1)	WD7210N (H1)	DV9610PN (H1) WD9610N (H1) WD9610ECN (H1)
Voltage	V <sub>dc</sub>	4.8	7.2	9.6
Battery	Type	NiMH	NiMH	NiMH
Weight	kg	0.95	1.04	1.12
Charger		BA090020D VA090020D	BA110020D VA110020D	BA140020D VA140020D
Input voltage	V <sub>ac</sub>	230	230	230
Output voltage	V <sub>ac</sub>	9	11	14
Current	mA	200	200	200
Approximate charge time	h	16	16	16
Weight	kg	0.17	0.17	0.22



## Guarantee

Black & Decker is confident of the quality of its products and offers an outstanding guarantee. This guarantee statement is in addition to and in no way prejudices your statutory rights. The guarantee is valid within the territories of the Member States of the European Union and the European Free Trade Area.

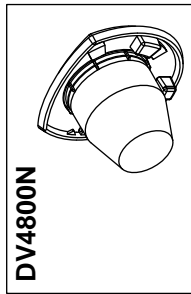
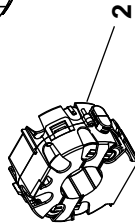
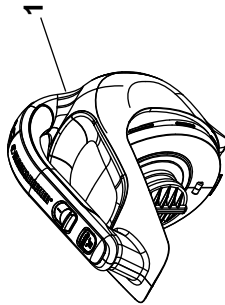
If a Black & Decker product becomes defective due to faulty materials, workmanship or lack of conformity, within 24 months from the date of purchase, Black & Decker guarantees to replace defective parts, repair products subjected to fair wear and tear or replace such products to ensure minimum inconvenience to the customer unless:

- ◆ The product has been used for trade, professional or hire purposes;
- ◆ The product has been subjected to misuse or neglect;
- ◆ The product has sustained damage through foreign objects, substances or accidents;
- ◆ Repairs have been attempted by persons other than authorised repair agents or Black & Decker service staff.

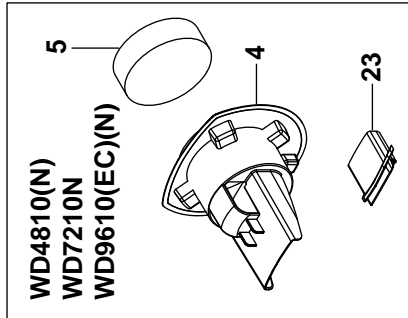
To claim on the guarantee, you will need to submit proof of purchase to the seller or an authorised repair agent. You can check the location of your nearest authorised repair agent by contacting your local Black & Decker office at the address indicated in this manual. Alternatively, a list of authorised Black & Decker repair agents and full details of our after-sales service and contacts are available on the Internet at: [www.2helpU.com](http://www.2helpU.com)

Please visit our website [www.blackanddecker.co.uk](http://www.blackanddecker.co.uk) to register your new Black & Decker product and to be kept up to date on new products and special offers. Further information on the Black & Decker brand and our range of products is available at [www.blackanddecker.co.uk](http://www.blackanddecker.co.uk)

Partial support - Only parts shown available  
Nur die aufgetretenen teile sind lieferbar  
Reparation partielle - Seules les pieces indiquees sont disponibles  
Supporto parziale - Sono disponibili soltanto le parti evidenziate  
Solo estan disponibles las peizas listadas  
So se encontraram disponeivis as pecas listadas  
Gedeeltelijke ondersteuning - alleen de getoonde onderdelen  
zijn beschikbaar

**DV4800N**

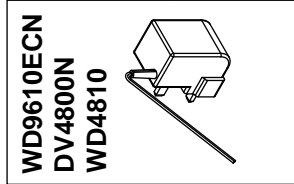
5

**WD4810(N)  
WD7210N  
WD9610(EC)(N)**

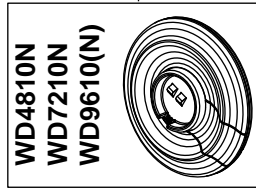
5

4

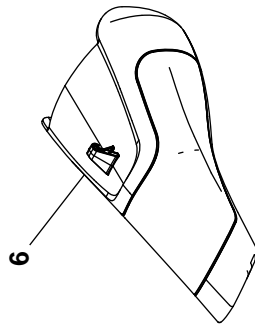
23

**WD9610ECN  
DV4800N  
WD4810**

7

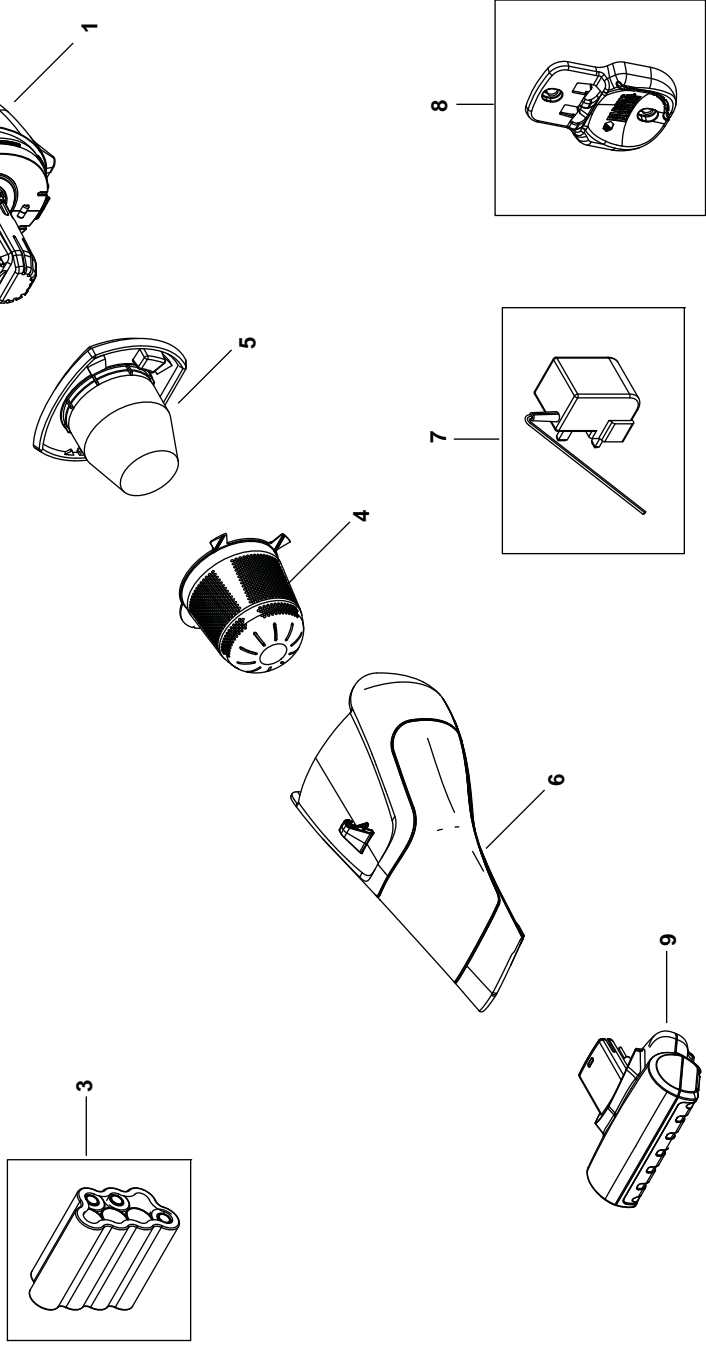
**WD4810N  
WD7210N  
WD9610(N)**

7



6

Partial support - Only parts shown available  
Nur die aufgeführten teile sind lieferbar  
Reparation partielle - Seules les pieces indiquees sont disponibles  
Supporto parziale - Sono disponibili soltanto le parti evidenziate  
Solo estan disponibles las peizas listadas  
So se encontram disponibles as pecas listadas  
Gedeeltelijke ondersteuning - alleen de getoonde onderdelen zijn beschikbaar









ENGLISH

**Do not forget to register your product!**

**[www.blackanddecker.co.uk/productregistration](http://www.blackanddecker.co.uk/productregistration)**

Register your product online at **[www.blackanddecker.co.uk/productregistration](http://www.blackanddecker.co.uk/productregistration)** or send your name, surname and product code to Black & Decker in your country.

**Australia**

Black & Decker (Australia) Pty. Ltd.  
20 Fletcher Road, Mooroolbark,  
Victoria, 3138

Tel. 03-8720 5100  
Fax 03-9727 5940

**New Zealand**

Black & Decker  
5 Te Apunga Place  
Mt Wellington  
Auckland 1060

Tel. +64 9 259 1133  
Fax +64 9 259 1122

**United Kingdom**

Black & Decker  
210 Bath Road  
Slough, Berkshire SL1 3YD

Tel. 01753 511234  
Fax 01753 551155  
Helpline 01753 574277