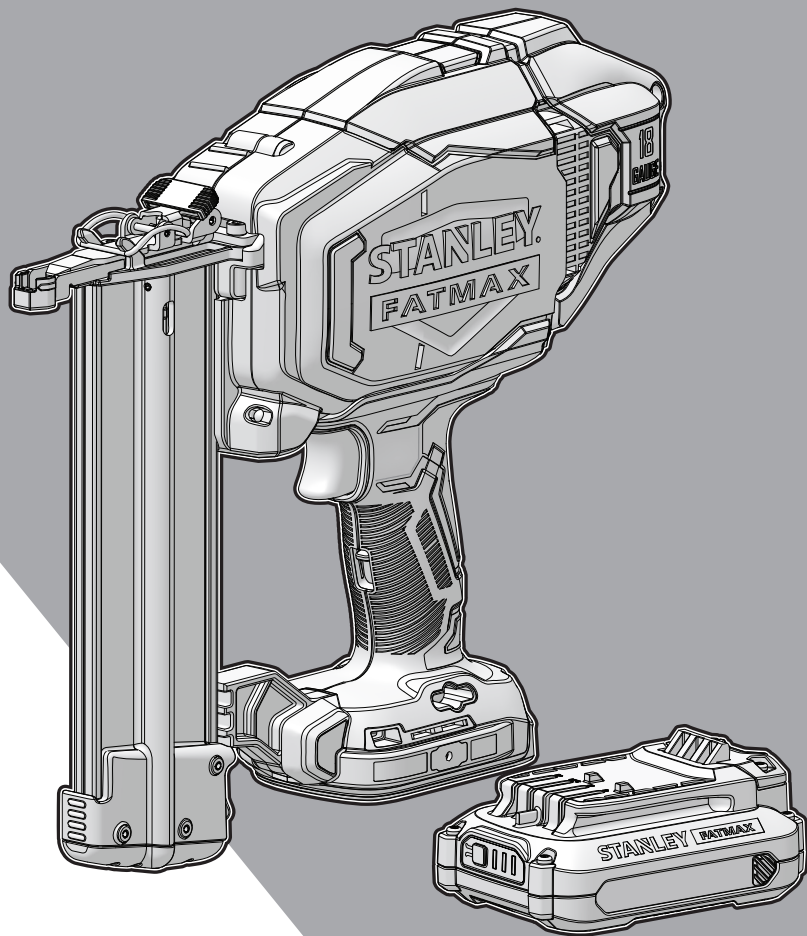


STANLEY®

FATMAX®

V20

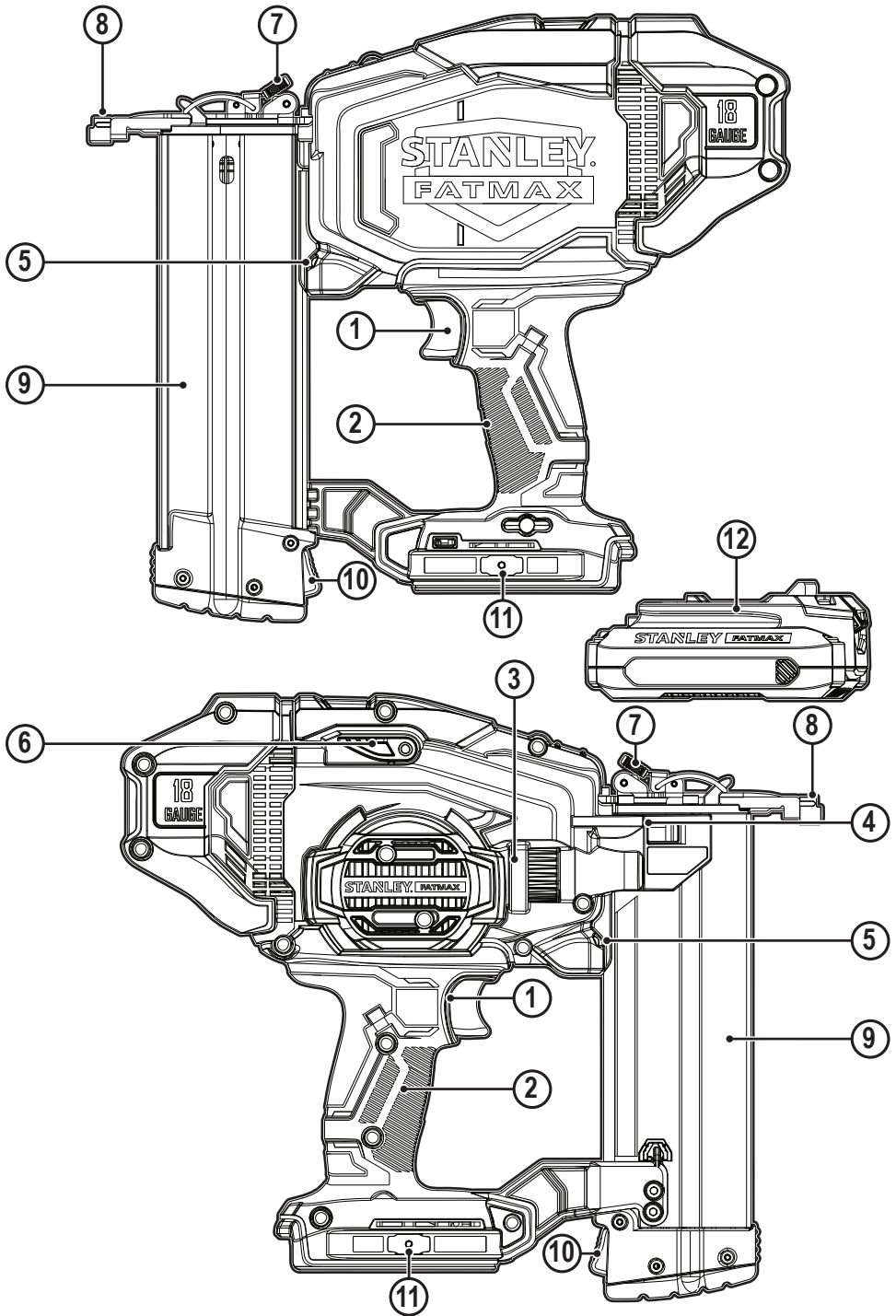
LITHIUM ION

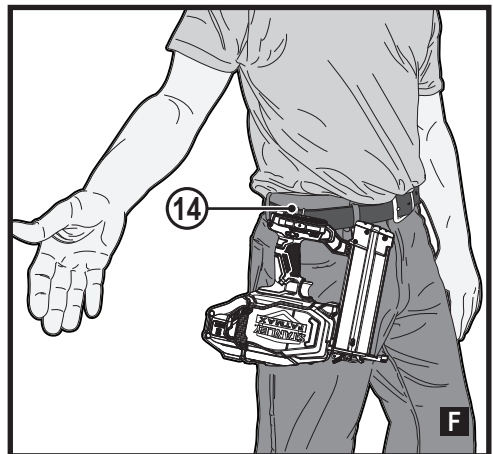
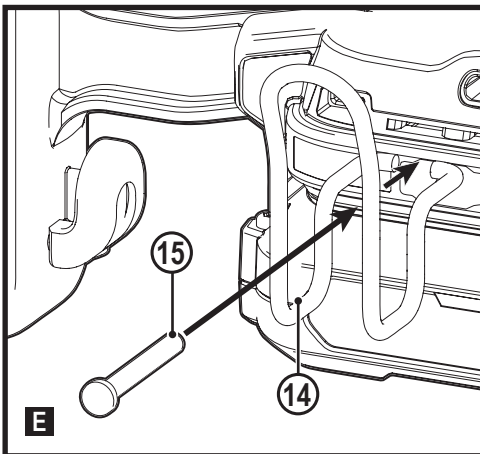
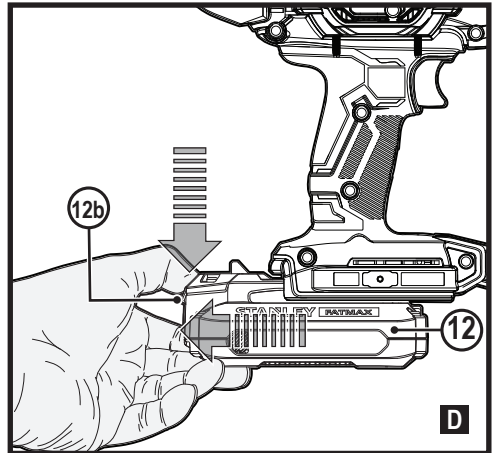
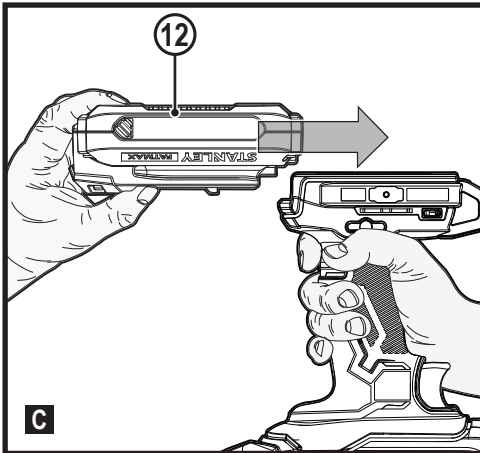
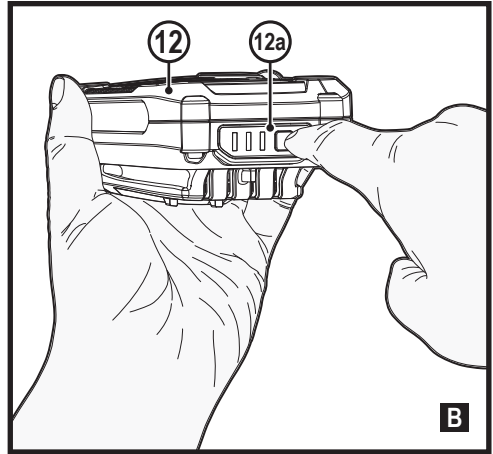
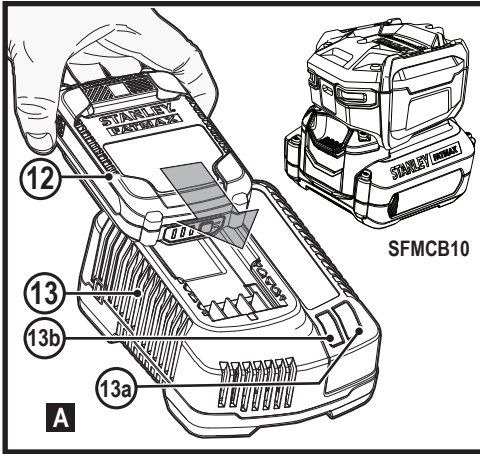


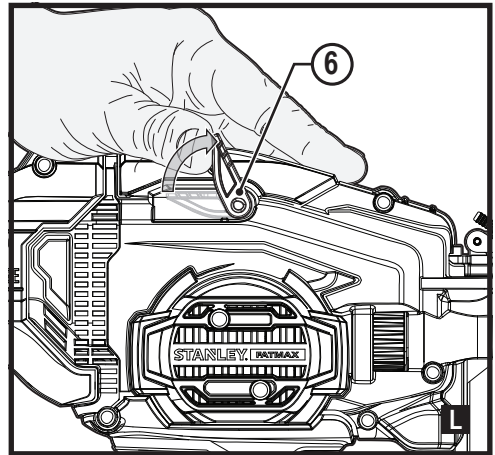
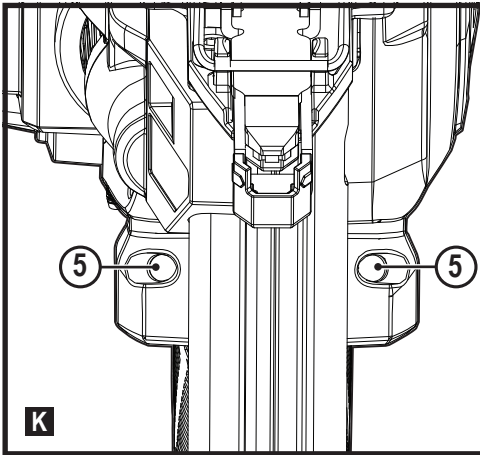
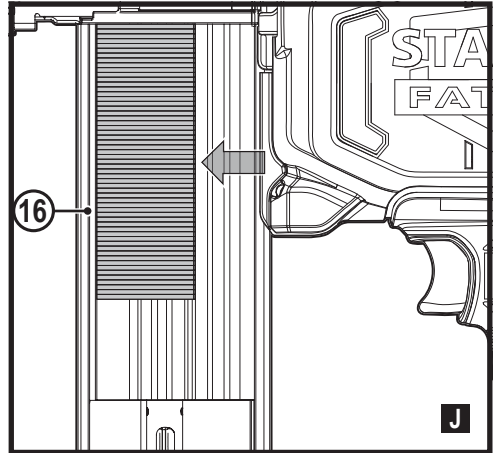
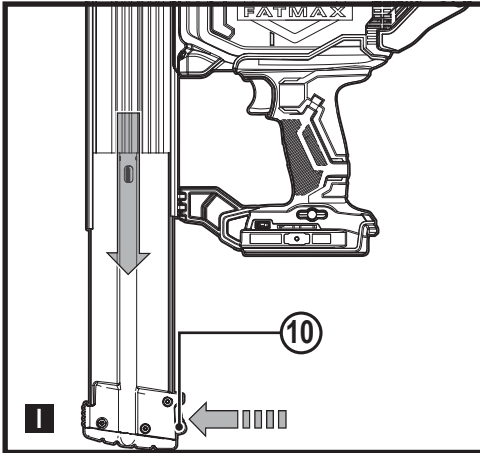
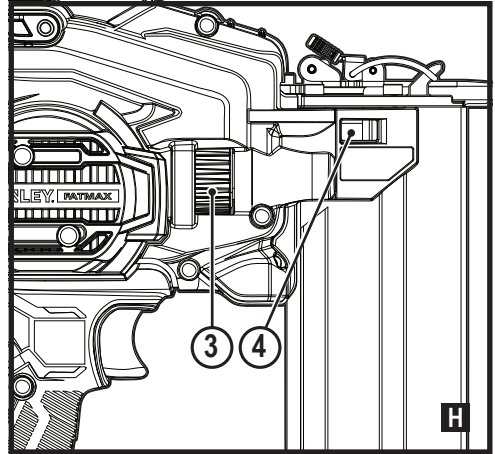
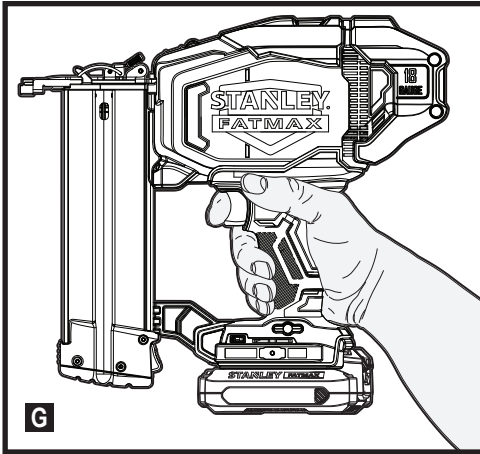
www.stanley.eu

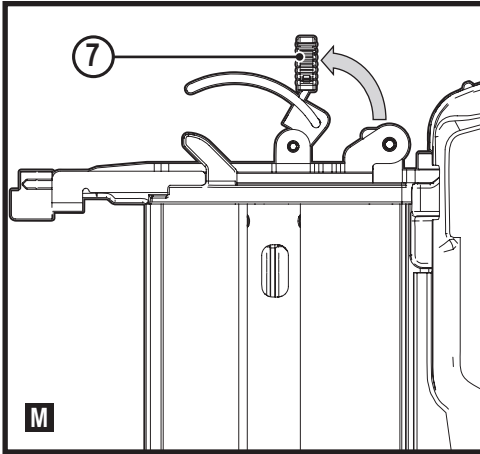
SFMCN618

English (<i>original instructions</i>)	6
Deutsch (<i>übersetzt von den originalanweisungen</i>)	15
Français (<i>traduction de la notice d'instructions originale</i>)	25
Italiano (<i>tradotto dalle istruzioni originali</i>)	35
Nederlands (<i>vertaald vanuit de originele instructies</i>)	45
Español (<i>traducido de las instrucciones originales</i>)	55
Português (<i>traduzido das instruções originais</i>)	65
Svenska (<i>översatt från de ursprungliga instruktionerna</i>)	75
Norsk (<i>oversatt fra de originale instruksjonene</i>)	83
Dansk (<i>oversat fra original brugsvejledning</i>)	92
Suomi (<i>käännetty alkuperäisestä käyttöohjeesta</i>)	101
Ελληνικά (<i>μετάφραση από τις πρωτότυπες οδηγίες</i>)	109









Intended use

Your STANLEY FATMAX SFMCN618 cordless nailer has been designed for nailing. This appliance is intended for professional and private, non professional users.

Safety instructions

General power tool safety warnings



Warning! Read all safety warnings, instructions, illustrations and specifications provided with this power tool. Failure to follow the warnings and instructions listed below may result in electric shock, fire and/or serious injury.

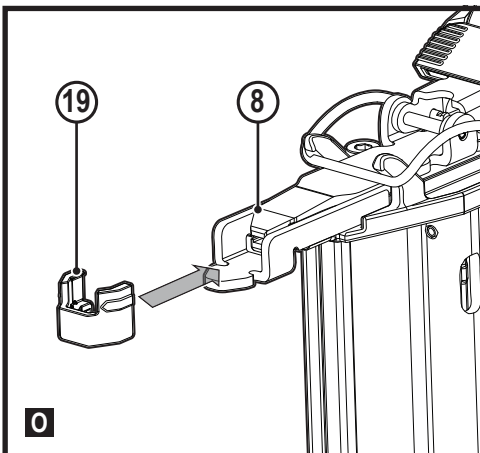
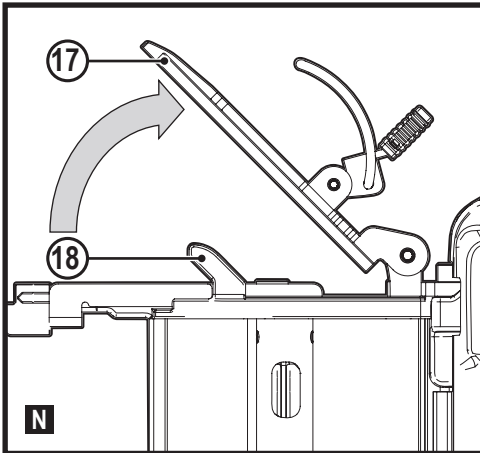
Save all warnings and instructions for future reference. The term "power tool" in all of the warnings listed below refers to your mains operated (corded) power tool or battery operated (cordless) power tool.

1. Work area safety

- a. **Keep work area clean and well lit.** Cluttered or dark areas invite accidents.
- b. **Do not operate power tools in explosive atmospheres, such as in the presence of flammable liquids, gases or dust.** Power tools create sparks which may ignite the dust or fumes.
- c. **Keep children and bystanders away while operating a power tool.** Distractions can cause you to lose control.

2. Electrical safety

- a. **Power tool plugs must match the outlet. Never modify the plug in any way.**
Do not use any adapter plugs with earthed (grounded) power tools. Unmodified plugs and matching outlets will reduce risk of electric shock.
- b. **Avoid body contact with earthed or grounded surfaces such as pipes, radiators, ranges and refrigerators.** There is an increased risk of electric shock if your body is earthed or grounded.
- c. **Do not expose power tools to rain or wet conditions.** Water entering a power tool will increase the risk of electric shock.
- d. **Do not abuse the cord. Never use the cord for carrying, pulling or unplugging the power tool. Keep cord away from heat, oil, sharp edges or moving parts.** Damaged or entangled cords increase the risk of electric shock.
- e. **When operating a power tool outdoors, use an extension cord suitable for outdoor use.** Use of a cord suitable for outdoor use reduces the risk of electric shock.
- f. **If operating a power tool in a damp location is**



unavoidable, use a residual current device (RCD) protected supply. Use of an RCD reduces the risk of electric shock.

3. Personal safety

- a. **Stay alert, watch what you are doing and use common sense when operating a power tool.**

Do not use a power tool while you are tired or under the influence of drugs, alcohol or medication. A moment of inattention while operating power tools may result in serious personal injury.

- b. **Use personal protective equipment. Always wear eye protection.** Protective equipment such as dust mask, non-skid safety shoes, hard hat, or hearing protection used for appropriate conditions will reduce personal injuries.
- c. **Prevent unintentional starting. Ensure the switch is in the off-position before connecting to power source and/or battery pack, picking up or carrying the tool.** Carrying power tools with your finger on the switch or energising power tools that have the switch on invites accidents.
- d. **Remove any adjusting key or wrench before turning the power tool on.** A wrench or a key left attached to a rotating part of the power tool may result in personal injury.
- e. **Do not overreach. Keep proper footing and balance at all times.** This enables better control of the power tool in unexpected situations.
- f. **Dress properly. Do not wear loose clothing or jewellery. Keep your hair, clothing and gloves away from moving parts.** Loose clothes, jewellery or long hair can be caught in moving parts.
- g. **If devices are provided for the connection of dust extraction and collection facilities, ensure these are connected and properly used.** Use of dust collection can reduce dust-related hazards.
- h. **Do not let familiarity gained from frequent use of tools allow you to become complacent and ignore tool safety principles.** A careless action can cause severe injury within a fraction of a second.

4. Power tool use and care

- a. **Do not force the power tool. Use the correct power tool for your application.**

The correct power tool will do the job better and safer at the rate for which it was designed.

- b. **Do not use the power tool if the switch does not turn it on and off.** Any power tool that cannot be controlled with the switch is dangerous and must be repaired.
- c. **Disconnect the plug from the power source and/or the**

battery pack from the power tool before making any adjustments, changing accessories, or storing power tools. Such preventive safety measures reduce the risk of starting the power tool accidentally.

- d. **Store idle power tools out of the reach of children and do not allow persons unfamiliar with the power tool or these instructions to operate the power tool.**

Power tools are dangerous in the hands of untrained users.

- e. **Maintain power tools and accessories. Check for misalignment or binding of moving parts, breakage of parts and any other condition that may affect the power tools operation. If damaged, have the power tool repaired before use.** Many accidents are caused by poorly maintained power tools.
- f. **Keep cutting tools sharp and clean.** Properly maintained cutting tools with sharp cutting edges are less likely to bind and are easier to control.
- g. **Use the power tool, accessories and tool bits etc. in accordance with these instructions, taking into account the working conditions and the work to be performed.**

Use of the power tool for operations different from those intended could result in a hazardous situation.

- h. **Keep handles and grasping surfaces dry, clean and free from oil and grease.** Slippery handles and grasping surfaces do not allow for safe handling and control of the tool in unexpected situations.

5. Battery tool use and care

- a. **Recharge only with the charger specified by the manufacturer.** A charger that is suitable for one type of battery pack may create a risk of fire when used with another battery pack.
- b. **Use power tools only with specifically designated battery packs.** Use of any other battery packs may create a risk of injury and fire.
- c. **When battery pack is not in use, keep it away from other metal objects, like paper clips, coins, keys, nails, screws, or other small metal objects, that can make a connection from one terminal to another.** Shorting the battery terminals together may cause burns or a fire.
- d. **Under abusive conditions, liquid may be ejected from the battery; avoid contact. If contact accidentally occurs, flush with water. If liquid contacts eyes, additionally seek medical help.** Liquid ejected from the battery may cause irritation or burns.
- e. **Do not use a battery pack or tool that is damaged or modified.** Damaged or modified batteries may exhibit unpredictable behaviour resulting in fire, explosion or risk of injury.

- f. **Do not expose a battery pack or tool to fire or excessive temperature.** Exposure to fire or temperature above 130 °C may cause explosion.
- g. **Follow all charging instructions and do not charge the battery pack or tool outside the temperature range specified in the instructions.** Charging improperly or at temperatures outside the specified range may damage the battery and increase the risk of fire.
6. **Service**
- a. **Have your power tool serviced by a qualified repair person using only identical replacement parts.**
This will ensure that the safety of the power tool is maintained.
- b. **Never service damaged BATTERY packs.** Service of BATTERY packs should only be performed by the manufacturer or authorized service providers

Additional power tool safety warnings

- ◆ **Use auxiliary handles supplied with the tool.**
Loss of control can cause personal injury.
- ◆ **Hold power tool by insulated gripping surfaces when performing an operation where the cutting accessory may contact hidden wiring.** Cutting accessory contacting a "live" wire may make exposed metal parts of the power tool "live" and could give the operator an electric shock.
- ◆ **Hold power tool by insulated gripping surfaces, when performing an operation where the fastener may contact hidden wiring.** Fasteners contacting a "live" wire may make exposed metal parts of the power tool "live" and could give the operator an electric shock.
- ◆ **Use clamps or another practical way to secure and support the workpiece to a stable platform.** Holding the work by hand or against your body leaves it unstable and may lead to loss of control.
- ◆ Before drilling into walls, floors or ceilings, check for the location of wiring and pipes.
- ◆ Avoid touching the tip of a drill bit just after drilling, as it may be hot.
- ◆ The intended use is described in this instruction manual. The use of any accessory or attachment or performance of any operation with this tool other than those recommended in this instruction manual may present a risk of personal injury and/or damage to property.

Safety of others

- ◆ Never allow children, persons with reduced physical, sensory or mental capabilities or lack of experience and knowledge or people unfamiliar with these instructions to use the machine,
- ◆ local regulations may restrict the age of the operator.
- ◆ Never operate the machine while people, especially children, or pets are nearby.

Additional Safety Instructions for Cordless Nailers

- ◆ Always wear safety glasses.
- ◆ Always wear ear protection.
- ◆ Only use fasteners of the type specified in the manual.
- ◆ Do not use any stands for mounting the tool to a support.
- ◆ Do not disassemble or block any parts of the fastener driving tool such as the contact trip.
- ◆ Prior to each operation check that the safety and triggering mechanism is functioning properly and that all nuts and bolts are tight.
- ◆ Do not use the tool as a hammer.
- ◆ Do not use the tool on a ladder.
- ◆ Never point any operational fastener driving tool at yourself or at any other person.
- ◆ While working, hold the tool in such a way that no injuries can be caused to the head or to the body in the event of a possible recoil due to a disruption in the energy supply or hard areas within the work piece.
- ◆ Never actuate the fastener driving tool into free space.
- ◆ In the work area, carry the tool at the workplace using only one handle, and never with the trigger actuated.
- ◆ Consider the conditions in the work area. Fasteners can penetrate thin work pieces or slip off corners and edges of the work piece, and thus put people at risk.
- ◆ Do not drive fasteners close to the edge of the work piece.
- ◆ Do not drive fasteners on top of other fasteners.
- ◆ Always assume that the tool contains fasteners.
Careless handling of the nailer can result in unexpected firing of fasteners and personal injury.
- ◆ Do not point the tool towards yourself or anyone nearby. Unexpected triggering will discharge the fastener causing injury.
- ◆ Do not actuate the tool unless it is placed firmly against the workpiece. If the tool is not in contact, the fastener may be deflected away from your target.
- ◆ Disconnect the tool from the power source when the fastener jams in the tool. While removing a jammed fastener, the nailer may be accidentally activated if it is plugged in.
- ◆ Do not use this tool for fastening electrical cables.
It is not designed for electric cable installation and may damage the insulation of electric cables thereby causing electric shock or fire hazards.

Residual risks

Additional residual risks may arise when using the tool which may not be included in the enclosed safety warnings. These risks can arise from misuse, prolonged use etc. Even with the application of the relevant safety regulations and the implementation of safety devices, certain residual risks can not be avoided. These include:

- ◆ Injuries caused by touching any rotating/moving parts.
- ◆ Injuries caused when changing any parts, blades or accessories.
- ◆ Injuries caused by prolonged use of a tool. When using any tool for prolonged periods ensure you take regular breaks.
- ◆ Impairment of hearing.
- ◆ Health hazards caused by breathing dust developed when using your tool (example:- working with wood, especially oak, beech and MDF.)

Noise and vibration

The declared noise and vibration emission values stated in the technical data and the declaration of conformity have been measured in accordance with a standard test method provided by EN60745 and may be used for comparing one tool with another. The declared noise and vibration emission value may also be used in a preliminary assessment of exposure.

Warning! The noise and vibration emission value during actual use of the power tool can differ from the declared value depending on the ways in which the tool is used. The noise and vibration level may increase above the level stated.

When assessing noise and vibration exposure to determine safety measures required by 2002/44/EC to protect persons regularly using power tools in employment, an estimation of noise and vibration exposure should consider, the actual conditions of use and the way the tool is used, including taking account of all parts of the operating cycle such as the times when the tool is switched off and when it is running idle in addition to the trigger time.

Labels on tool

The following symbols are shown on the tool along with the date code:



Warning! To reduce the risk of injury, the user must read the instruction manual.



Warning! To reduce the risk of injury, the user must wear ear and eye protection.



Caution: Do not stare at operating lamp.



To illuminate the immediate work surface as well as a low battery indicator and a jammed nail indicator.



Keep hands and body parts clear of immediate work area.

Additional safety instructions for batteries and chargers

Batteries

- ◆ Never attempt to open for any reason.
- ◆ Do not expose the battery to water.
- ◆ Do not store in locations where the temperature may exceed 40 °C.
- ◆ Charge only at ambient temperatures between 10 °C and 40 °C.
- ◆ When disposing of batteries, follow the instructions given in the section "Protecting the environment".
- ◆ Do not damage/deform the battery pack either by puncture or impact, as this may create a risk of injury and fire.
- ◆ Do not charge damaged batteries.
- ◆ Under extreme conditions, battery leakage may occur. When you notice liquid on the batteries Carefully wipe the liquid off using a cloth. Avoid skin contact.
- ◆ In case of skin or eye contact, follow the instructions below.

Warning! The battery fluid may cause personal injury or damage to property. In case of skin contact, immediately rinse with water. If redness, pain or irritation occurs seek medical attention. In case of eye contact, rinse immediately with clean water and seek medical attention.



Do not attempt to charge damaged batteries

Chargers

- ◆ Use your STANLEY FATMAX charger only to charge the battery in the tool with which it was supplied. Other batteries could burst, causing personal injury and damage.
- ◆ Never attempt to charge non-rechargeable batteries.
- ◆ Have defective cords replaced immediately.
- ◆ Do not expose the charger to water.
- ◆ Do not open the charger.
- ◆ Do not probe the charger

Symbols on charger



The charger is intended for indoor use only.



Read the instruction manual before use.

Electrical safety



Your adapter is double insulated; therefore no earth wire is required. Always check that the mains voltage corresponds to the voltage on the rating plate. Never attempt to replace the adapter unit with a regular mains plug.

Features

This appliance includes some or all of the following features.

1. Trigger Switch
2. Trigger Lock-Off switch
3. Depth adjustment wheel
4. Depth adjustment indicator
5. Worklights/low battery/jam/stall indicator
6. Stall release lever
7. Jam clearing latch
8. Contact trip
9. Magazine
10. Pusher latch
11. Accessory attachment location
12. Battery

Use

Warning! Let the tool work at its own pace.
Do not overload.

Charging the battery (Fig. A)

The battery needs to be charged before first use and whenever it fails to produce sufficient power on jobs that were easily done before.

The battery may become warm while charging; this is normal and does not indicate a problem.



Warning! Do not charge the battery at ambient temperatures below 10 °C or above 40 °C. Recommended charging temperature: approx. 24 °C.





Note: The charger will not charge a battery if the cell temperature is below approximately 10 °C or above 40 °C. The battery should be left in the charger and the charger will begin to charge automatically when the cell temperature warms up or cools down.

Note: To ensure maximum performance and life of lithium-ion battery packs, charge the battery pack fully before first use.

- ◆ Plug the charger (13) into an appropriate outlet before inserting battery pack (12).
- ◆ The green charging light (13a) will blink continuously indicating that the charging process has started.
- ◆ The completion of charge will be indicated by the green charging light (13a) remaining ON continuously. The battery pack (12) is fully charged and may be removed and used at this time or left in the charger (13).
- ◆ Charge discharged batteries within 1 week. Battery life will be greatly diminished if stored in a discharged state.

Charger LED Modes

	Charging: Green LED Intermittent	
--	--	---

	Fully Charged: Green LED Solid	
	Hot/Cold Pack Delay: Green LED Intermittent Red LED Solid	

Note: The compatible charger(s) will not charge a faulty battery pack. The charger will indicate a faulty battery pack by refusing to light.

Note: This could also mean a problem with a charger. If the charger indicates a problem, take the charger and battery pack to be tested at an authorized service centre.

Leaving the battery in the charger

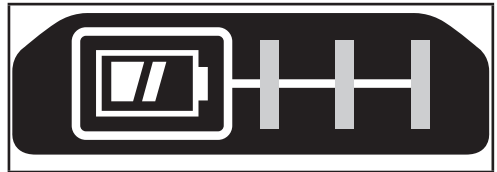
The charger and battery pack can be left connected with the LED glowing indefinitely. The charger will keep the battery pack fresh and fully charged.

Hot/Cold Pack Delay

When the charger detects a battery that is too hot or too cold, it automatically starts a Hot/Cold Pack Delay, the green LED (13a) will flash intermittently, while the red LED (13b) will remain on continuously, suspending charging until the battery has reached an appropriate temperature. The charger then automatically switches to the pack charging mode. This feature ensures maximum battery life.

Battery state of charge indicator (Fig. B)

The battery includes a state of charge indicator to quickly determine the extent of battery life as shown in figure B. By pressing the state of charge button (12a) you can easily view the charge remaining in the battery as illustrated in figure B.



Installing and Removing the Battery Pack from the tool

Warning! Make certain the lock-off button is engaged to prevent switch actuation before removing or installing battery.

To install battery pack (Fig. C)

- ◆ Insert battery pack firmly into tool until an audible click is heard as shown in figure C. Ensure battery pack is fully seated and fully latched into position.

To remove battery pack (Fig. D)

- ◆ Depress the battery release button (12b) as shown in figure D and pull battery pack out of tool.

Hang hook (Fig. E, F)

Warning! Remove nails from magazine before making any adjustments or servicing this tool. Failure to do so may result in serious injury.

Warning! To reduce the risk of serious personal injury, place the forward/reverse button in the lock-off position or turn tool off and disconnect battery pack before making any adjustments or removing/installing attachments or accessories. An accidental start-up can cause injury.

Warning! To reduce the risk of serious personal injury, ensure the screw (15) holding the hang hook is secure.

Caution: When not in use, place tool on its side on a stable surface where it will not cause a tripping or falling hazard. Some tools with large battery packs will stand upright on the battery pack but may be easily knocked over.

Note: When attaching or replacing the hang hook (14) use only the screw (15) that is provided. Be sure to securely tighten the screw.

If the hook is not desired at all, it can be removed from the tool.

To move the hang hook, remove the screw (15) that holds the hang hook (14) in place.

Note: Various trackwall hooks and storage configurations are available.

Please visit our website www.stanley.eu/3 for further information.

Operation

Warning! Read the section titled Nailer Safety Warnings at the beginning of this manual. Always wear eye and ear protection when operating this tool.

Keep the nailer pointed away from yourself and others. For safe operation, complete the following procedures and checks before each use of the nailer.

Warning! To reduce the risk of personal injury, disconnect battery pack from tool and engage trigger lock-off before performing maintenance, clearing a jammed nail, leaving work area, moving tool to another location or handing the tool to another person.

Warning! Keep fingers AWAY from trigger when not driving fasteners to avoid accidental firing. Never carry tool with finger on trigger.

- ◆ Wear proper eye, hearing and respiratory protection.
- ◆ Remove battery pack from tool and engage trigger lock-off.
- ◆ Lock the pusher in the back position and remove all nail strips from the magazine.
- ◆ Check for smooth and proper operation of contact trip and pusher assemblies.

Do not use tool if either assembly is not functioning properly.

- ◆ Never use a tool that has damaged parts.

Warning! Operate the tool with fasteners at a rate not exceed 30 times/min.

To operate the nailer

Warning! The contact trip needs to be depressed followed by a full trigger pull for each nail followed by a release of both the contact trip and trigger after each nail.

Warning! The battery should always be removed and the trigger lock-off engaged whenever any adjustments are made or when tool is not in use.

- ◆ Fully depress contact trip against the work surface.
- ◆ Fully pull trigger and motor will start. (nail will drive into work surface).
- ◆ Release trigger.
- ◆ Lift contact trip off work surface.
- ◆ Repeat the above 4 steps for next application.

Preparing the tool

Warning! NEVER spray or in any other way apply oil, lubricants or cleaning solvents inside the tool. This can seriously affect the life and performance of the tool.

Warning! The battery should always be removed and the trigger lock-off engaged whenever any adjustments are made or when tool is not in use.

- ◆ Read the Safety Instruction section of this manual.
- ◆ Wear eye and ear protection.
- ◆ Remove battery from tool and fully charge.
- ◆ Ensure magazine is empty of all fasteners.
- ◆ Check for smooth and proper operation of contact trip and pusher assemblies. Do not use tool if either assembly is not functioning properly.
- ◆ Keep tool pointed away from yourself and others.
- ◆ Insert fully charged battery pack.

Correct hand position (Fig. G)

Warning! To reduce the risk of serious personal injury, ALWAYS use correct hand position as shown in figure G.

Warning! To reduce the risk of serious personal injury, ALWAYS hold securely in anticipation of a sudden reaction. Proper hand position requires one hand on the main handle.

Adjusting Depth (Fig. H)

The depth that the fastener is driven can be adjusted using the depth adjustment wheel (3) on the side of the tool.

Warning! To reduce risk of serious injury from accidental actuation when attempting to adjust depth, Always:

- ◆ Remove battery pack.
- ◆ Engage trigger lock-off.
- ◆ Avoid contact with trigger during adjustments.

Depth settings are on a sliding scale (4). The left side indicating the deepest and the right side indicating the shallowest.

- ◆ To drive a nail deeper, rotate the depth adjustment wheel (3) downwards. This will slide the depth adjustment indicator (4) to the left on the scale.
- ◆ To drive a nail shallower, rotate the depth adjustment wheel (3) upwards. This will slide the depth adjustment indicator (4) to the right on the scale.

Loading and unloading the tool (Fig. I, J)

Warning! Keep the tool pointed away from yourself and others. Serious personal injury may result.

Warning! Never load nails with the contact trip or trigger activated.

Warning! Always remove battery pack before loading or unloading nails.

Warning! The battery should always be removed and the trigger lock-off engaged whenever any adjustments are made or when tool is not in use.

Loading the tool

- ◆ Press pusher latch (10) and pull magazine down.
- ◆ Insert fasteners into the side of the magazine. Ensure the fastener tips are placed towards the front of the magazine, under the nail guide (16) in the nail channel.
- ◆ Push magazine closed until it locks into place.

Warning! Keep fingers clear of pusher to prevent injury.

Unloading the tool

Warning! The battery should always be removed and the trigger lock-off engaged whenever any adjustments are made or when tool is not in use.

- ◆ Press the nail pusher latch and pull the magazine down.
- ◆ Tip the tool up until the nails slide freely out of the magazine.
- ◆ Open the jam clear door (7) on the nosepiece to verify there are no nails remaining.

Work lights (Fig. K)

There are work lights (5) located on each side of the nailer. Work lights turn on upon depressing the contact trip.

Note: These work lights are for illuminating the immediate work surface and are not intended to be used as flashlights.



Low Battery Indicator:

The left-side worklight will flash four consecutive times and then shut down to indicate low battery.



Jammed Nail Indicator:

The right-side worklight will flash continually if a nail becomes jammed in the nosepiece (see Clearing a jammed nail).

Stall Release (Fig. L)

Warning! If a stall occurs, the tool will disable itself and will require you to reset it. To do so, follow instructions on clearing a stalled condition. Next remove battery pack and then reinsert battery pack. The tool will now be operational.

If the nailer is used in a rigorous application where all available energy in the motor is used to drive a fastener, the tool may stall. The driver blade did not complete the drive cycle and the jam/stall indicator will flash.

Rotate the stall release lever (6) on the tool and the mechanism will release as shown in figure L.

Note! The tool will disable itself and not reset until the battery pack has been removed and reinserted. If the unit continues to stall please review the material and fastener length to be sure that it is not too rigorous an application. If the driver blade does not automatically return to the home position after rotating the stall release lever, proceed to "clearing a jammed nail".

Clearing a Jammed Nail (Fig. M, N)

Warning! To reduce the risk of personal injury, disconnect battery pack from tool and engage trigger lock-off before performing maintenance, or clearing a jammed nail.

If a nail becomes jammed in the nosepiece, keep the tool pointed away from you and follow these instructions to clear:

- ◆ Remove battery pack from tool and engage trigger lock-off.
- ◆ Remove any loaded nails. Refer to Loading and Unloading the Tool.
- ◆ Lift the jam clearing latch 7 then pull up to open front door 17
- ◆ Remove bent nail, using pliers if necessary.
- ◆ If driver blade is in the down position, cycle stall release lever 6 using enough force to fully slide it to the other end of the slot in housings.
- ◆ Close the front door and engage the latch pin under the two arms 18 on the nosepiece. Push latch until it locks in place.
- ◆ Reinsert battery pack.

Warning! If a jam occurs, the tool will disable itself and will require you to reset it. To do so, follow instructions on clearing

the jammed nail. Next remove battery pack and then reinsert battery pack. The tool will now be operational.

Note! Should nails continue to jam frequently in contact trip, have tool serviced by an authorized STANLEY FATMAX service center.

Cold Weather Operation

When operating tools at temperatures below freezing:

- ◆ Keep tool as warm as possible prior to use.
- ◆ Actuate the tool 5 or 6 times into scrap lumber before using.

Hot Weather Operation

Tool should operate normally. However, keep tool out of direct sunlight as excessive heat can deteriorate bumpers and other rubber parts resulting in increased maintenance.

No-mar tip (Fig. O)

The tool comes equipped with a spare no-mar tip (19) located on the side of the nail magazine.

To replace the no-mar pad, simply pull off the old no-mar pad and refit the new no-mar pad onto the contact trip (8).

Replacement parts

Warning! To reduce the risk of personal injury, disconnect battery pack from tool and engage trigger lock-off before performing maintenance, or clearing a jammed nail.

The tool comes equipped with a spare no mar tip located on the side of the nail magazine.

Use only identical replacement parts. For a parts list or to order parts, visit our service website at www.stanley.eu/3co.uk. You can also order parts from your nearest STANLEY FATMAX Factory Service Center or STANLEY FATMAX Authorized Warranty.

Accessories

Warning! Since accessories, other than those offered by STANLEY FATMAX, have not been tested with this product, use of such accessories with this tool could be hazardous. To reduce the risk of injury, only STANLEY FATMAX recommended accessories should be used with this product. Recommended accessories for use with your tool are available at extra cost from your local dealer or authorized service center.

Troubleshooting

If your appliance seems not to operate properly, follow the following instructions.

If this does not solve the problem, please contact your local STANLEY FATMAX repair agent.

Warning! Before proceeding, unplug the appliance.

Problem	Possible Cause	Possible Solution
Unit will not start.	Battery pack not installed properly.	Check battery pack installation.
	Battery pack not charged.	Check battery pack charging requirements.
	Trigger lock-off is engaged.	Disengage trigger lock-off.
Tool doesn't actuate. (Headlights on, motor does not run)	Motor stops running after 2 seconds.	Normal operation; release trigger or contact trip and re-depress.
Tool doesn't actuate. (Headlights flash)	Low battery charge or damaged battery.	Charge or replace battery.
Tool doesn't actuate. (Headlights flash continuously)	Jammed fastener / tool stalled.	Remove the battery, rotate the stall release lever. Clear the jammed fastener, and reinsert battery pack.
	Jammed mechanism	See authorized service center.
Tool doesn't actuate. (Headlights on, motor runs, driver blade stuck down)		See authorized service center.
Tool operates, but does not drive the fastener fully.	Low battery charge or damaged battery.	Charge or replace battery.
	Depth adjustment set too shallow.	Rotate depth adjustment wheel to a deeper setting. Read instruction manual.
	Tool not firmly applied to workpiece. Material and fastener length too rigorous an application.	Choose appropriate material or fastener length.

Maintenance

Your STANLEY FATMAX corded/cordless appliance/tool has been designed to operate over a long period of time with a minimum of maintenance. Continuous satisfactory operation depends upon proper tool/appliance care and regular cleaning.

Warning! Switch off and unplug the appliance before carrying out any cleaning.

- ◆ Dirt and grease may be removed from the exterior of the appliance using a cloth.

Warning! NEVER use solvents or other harsh chemicals for cleaning the non-metallic parts of the appliance. These chemicals may weaken the materials used in these parts. Use a cloth dampened only with water and mild soap. Never let any liquid get inside the unit; never immerse any part of the unit into a liquid.

Warning! NEVER spray or in any other way apply lubricants or cleaning solvents inside the tool. This can seriously affect the life and performance of the tool.

Service Notes

This product is not user serviceable. There are no user serviceable parts inside the nailer. Servicing at an authorized service center is required to avoid damage to static sensitive internal components.

Protecting the environment



Separate collection. Products and batteries marked with this symbol must not be disposed of with normal household waste.

Products and batteries contain materials that can be recovered or recycled reducing the demand for raw materials. Please recycle electrical products and batteries according to local provisions. Further information is available at www.2helpU.com

Technical data

SFMCN618 Type:1		
Voltage	V_{DC}	18
Battery Type		Li-Ion
Actuating mode		Sequential
Magazine angle		Straight
No load speed	/min	9000
Drive energy	approx	50J
Weight (bare tool)	kg	2.43

Fasteners			
Length	mm		16 - 50
Shank diameter	mm		1.27
Angle			Straight

This tool is a Bare unit but can be used with the chargers in the following table.

Charger		SFMCB10	SFMCB11	SFMCB12	SFMCB14
Input Voltage	V_{AC}	230	230	230	230
Output Voltage	V_{DC}	18	18	18	18
Current	A	1.25	1.25	2	4

This tool is a Bare unit but can be used with the batteries in the following table.

Battery		SFMCB201	SFMCB202	SFMCB204	SFMCB206
Voltage	V_{DC}	18	18	18	18
Capacity	Ah	1.5	2.0	4.0	6.0
Type		Li-Ion	Li-Ion	Li-Ion	Li-Ion

Level of sound pressure according to EN60745:
Sound pressure (L_{pA}) 84 dB(A), uncertainty (K) 3 dB(A)
Sound power (L_{WA}) 95 dB(A), uncertainty (K) 3 dB(A)

Vibration total values (triax vector sum) according to EN60745:
Staple nails (a_h) 2.8 m/s^2 , uncertainty (K) 1.8 m/s^2

**Declaration of Conformity
The Supply of Machinery (Safety)
Regulations 2008**



SFMCN618 - Cordless Nailer
STANLEY FATMAX declares that these products described under "technical data" are in compliance with:
The Supply of Machinery (Safety) Regulations, 2008, S.I.2008/1597 (as amended), EN 60745-1:2009 + A11:2010; EN 60745-2-16:2010.

These products conform to the following UK Regulations:
Electromagnetic Compatibility Regulations, 2016, S.I.2016/1091 (as amended).
The Restriction of the Use of Certain Hazardous Substances in Electrical and Electronic Equipment Regulations 2012, S.I.2012/3032 (as amended).

For more information, please contact STANLEY FATMAX at the following address or refer to the back of the manual. The undersigned is responsible for compilation of the technical file and makes this declaration on behalf of STANLEY FATMAX.

Karl Evans
Director – Consumer Power Tools
STANLEY FATMAX, 270 Bath Road, Slough,
Berkshire, SL1 4DX
United Kingdom
30/05/2023

EC declaration of conformity

MACHINERY DIRECTIVE



SFMCN618 - Cordless Nailer
STANLEY FATMAX declares that these products described under 2006/42/EC; EN 60745-1:2009 + A11:2010; EN 60745-2-16:2010.

These products also comply with Directive, 2014/30/EU and 2011/65/EU. For more information, please contact STANLEY FATMAX at the following address or refer to the back of the manual.

For more information, please contact STANLEY FATMAX at the following address or refer to the back of the manual. The undersigned is responsible for compilation of the technical file and makes this declaration on behalf of STANLEY FATMAX.

Patrick Diepenbach

Patrick Diepenbach
General Manager, Benelux
STANLEY FATMAX,
Egide Walschaertsstraat 14-18
2800 Mechelen, Belgium
30/05/2023

Guarantee

STANLEY FATMAX is confident of the quality of its products and offers consumers a 12 month guarantee from the date of purchase.

This guarantee is in addition to and in no way prejudices your statutory rights. The guarantee is valid within the territories of the Member States of the European Union and the European Free Trade Area and the United Kingdom.

To claim on the guarantee, the claim must be in accordance with STANLEY FATMAX Terms and Conditions and you will need to submit proof of purchase to the seller or an authorised repair agent.

Terms and conditions of the STANLEY FATMAX 1 year guarantee and the location of your nearest authorised repair agent can be obtained on the Internet at www.2helpU.com, or by contacting your local STANLEY FATMAX office at the address indicated in this manual.

Please visit our website www.stanley.eu/3 to register your new STANLEY FATMAX product and receive updates on new products and special offers.

Intended use

Verwendungszweck

Ihre STANLEY FATMAX Akku-Nagelmaschine SFMCN618 wurde zum Nageln konzipiert. Dieses Gerät ist zum gewerblichen und privaten Einsatz vorgesehen.

Sicherheitshinweise

Allgemeine Sicherheitswarnungen für das Gerät



Warnung! Lesen Sie alle Sicherheitshinweise, Anleitungen, Illustrationen u Spezifikationen, die mit diesem Elektrowerkzeug geliefert werden. Die Nichteinhaltung der folgenden Warnungen und Anweisungen kann einen elektrischen Schlag, Brand und/oder schwere Verletzungen verursachen.

Bewahren Sie alle Warnhinweise und alle Anweisungen gut auf. Der nachfolgend verwendete Begriff "Gerät" bezieht sich auf netzbetriebene Geräte (mit Netzkabel) und auf akkubetriebene Geräte (ohne Netzkabel).

1. Sicherheit im Arbeitsbereich

- a. **Halten Sie den Arbeitsbereich sauber und gut ausgeleuchtet.** Unaufgeräumte oder dunkle Bereiche begünstigen Unfälle.
- b. **Betreiben Sie das Elektrowerkzeug nicht in explosionsgefährdeten Umgebungen, in denen sich z.B. brennbare Flüssigkeiten, Gase oder Staub befinden.** Elektrowerkzeuge erzeugen Funken, die den Staub oder die Dämpfe entzünden können.
- c. **Halten Sie Kinder und Zuschauer fern, während Sie ein Elektrogerät betreiben.** Ablenkung kann dazu führen, dass Sie die Kontrolle über das Gerät verlieren.

2. Elektrische Sicherheit

- a. **Der Stecker des Elektrogerätes muss in die Steckdose passen.** Ändern Sie niemals den Stecker in irgendeiner Form. Verwenden Sie keinerlei Adapterstecker an geerdeten Elektrogeräten. Unveränderte Stecker und passende Steckdosen mindern die Gefahr eines elektrischen Schlages.
- b. **Vermeiden Sie Körperkontakt mit geerdeten Flächen, wie Rohre, Radiatoren, Herde und Kühlgeräte.** Es besteht eine erhöhte Gefahr für einen elektrischen Schlag, wenn Ihr Körper geerdet ist.
- c. **Setzen Sie Elektrogeräte keinem Regen oder feuchter Umgebung aus.** Wenn Wasser in das Elektrogerät eindringt, erhöht sich die Gefahr eines elektrischen Schlages.
- d. **Überlasten Sie das Kabel nicht.** Verwenden Sie niemals das Kabel, um das Elektrogerät zu tragen oder durch Ziehen vom Netz zu trennen.

- Halten Sie das Kabel fern von Hitze, Öl, scharfen Kanten oder beweglichen Teilen.** Beschädigte oder verhedderte Kabel erhöhen die Gefahr eines elektrischen Schlages.
- e. **Wenn Sie ein Elektrogerät im Freien betreiben, verwenden Sie ein für den Außeneinsatz geeignetes Verlängerungskabel.** Die Verwendung von für den Außeneinsatz geeigneten Kabeln mindert die Gefahr eines elektrischen Schlages.
- f. **Wenn der Betrieb eines Elektrogerätes in feuchter Umgebung unumgänglich ist, verwenden Sie eine durch einen Fehlerstromschutzschalter (FI-Schalter oder Rcd) geschützte Stromversorgung.** Der Einsatz eines Fehlerstromschutzschalters mindert die Gefahr eines elektrischen Schlages.
3. **Sicherheit von Personen**
- a. **Seien Sie aufmerksam, achten Sie darauf, was Sie tun, und gehen Sie mit Vernunft an die Arbeit mit einem Elektrowerkzeug.** Benutzen Sie kein Elektrowerkzeug, wenn Sie müde sind oder unter dem Einfluss von Drogen, Alkohol oder Medikamenten stehen. Ein Moment der Unachtsamkeit beim Betrieb eines Elektrogerätes kann zu schweren Verletzungen führen.
- b. **Tragen Sie persönliche Schutzausrüstung und immer eine Schutzbrille.** Das Tragen persönlicher Schutzausrüstung, wie Staubmaske, rutschfeste Sicherheitsschuhe, Schutzhelm oder Gehörschutz, je nach Art und Einsatz des Elektrowerkzeuges, verringert das Risiko von Verletzungen.
- c. **Vermeiden Sie unbeabsichtigtes Starten.** Vergewissern Sie sich, dass der Schalter in der AUS-Position ist, bevor Sie das Gerät an die Stromversorgung und/oder an den Akku anschließen oder wenn Sie das Gerät aufnehmen oder tragen. Wenn Sie beim Tragen des Elektrowerkzeuges den Finger am Schalter haben oder das Gerät eingeschaltet an die Stromversorgung anschließen, kann dies zu Unfällen führen.
- d. **Entfernen Sie alle Einstellschlüssel oder Werkzeuge, bevor Sie das Elektrogerät einschalten.** Werkzeuge oder Schlüssel, die an rotierenden Teilen des Elektrogerätes angebracht sind, können zu Verletzungen führen.
- e. **Vermeiden Sie eine abnormale Körperhaltung.** Sorgen Sie für einen sicheren Stand und halten Sie jederzeit das Gleichgewicht. Dadurch können Sie das Elektrowerkzeug in unerwarteten Situationen besser kontrollieren.
- f. **Tragen Sie geeignete Kleidung.** Tragen Sie keine weite Kleidung und keinen Schmuck. Halten Sie Haare und Kleidung von beweglichen Teilen fern. Lose sitzende Kleidung, Schmuck oder lange Haare können sich in den beweglichen Teilen verfangen.
- g. **Wenn Geräte für den Anschluss an eine Staubabsaugung und Staubsammlung vorgesehen sind, vergewissern Sie sich, dass diese richtig angeschlossen sind und verwendet werden.** Der Einsatz von Staubsaugern kann staubbedingte Gefahren mindern.
- h. **Vermeiden Sie, durch die häufige Nutzung des Werkzeugs in einen Trott zu verfallen und Prinzipien für die Werkzeugsicherheit zu ignorieren.** Eine unachtsame Aktion kann im Bruchteil einer Sekunde zu schweren Verletzungen führen.
4. **Verwendung und Pflege des Elektrogerätes**
- a. **Überlasten Sie das Elektrogerät nicht.** Verwenden Sie das für Ihre Arbeit passende Elektrogerät. Das richtige Gerät wird die Aufgabe besser und sicherer erledigen, wenn es bestimmungsgemäß verwendet wird.
- b. **Benutzen Sie kein Elektrowerkzeug, dessen Schalter defekt ist.** Ein Elektrowerkzeug, das sich nicht mehr ein- oder ausschalten lässt, ist gefährlich und muss repariert werden.
- c. **Trennen Sie den Stecker vom Netz und/ oder den Akku (sofern abnehmbar) vom Elektrowerkzeug, bevor Sie Einstellungen am Gerät vornehmen, Zubehör wechseln oder es aufbewahren.** Diese Vorbeugemaßnahmen mindern die Gefahr, dass das Elektrogerät unbeabsichtigt startet.
- d. **Bewahren Sie nicht verwendete Elektrogeräte für Kinder unerreichbar auf und lassen Sie nicht zu, dass Personen ohne Erfahrung mit dem Elektrogerät oder mit diesen Anweisungen das Elektrogerät bedienen.** Elektrogeräte sind in den Händen nicht geschulter Personen gefährlich.
- e. **Elektrowerkzeuge und Zubehör müssen gepflegt werden.** Prüfen Sie, ob bewegliche Teile verzogen oder ausgeschlagen, ob Teile gebrochen oder in einem Zustand sind, der den Betrieb des Elektrogerätes beeinträchtigen kann. Bei Beschädigungen lassen Sie das Elektrogerät reparieren, bevor Sie es verwenden. Viele Unfälle entstehen wegen mangelnder Wartung der Elektrogeräte.
- f. **Halten Sie Schneidwerkzeuge scharf und sauber.** Richtig gewartete Schneidwerkzeuge mit scharfen Klingen blockieren seltener und sind leichter unter Kontrolle zu halten.
- g. **Verwenden Sie Elektrogeräte, Zubehör und Einsätze (Bits) usw. gemäß diesen Anweisungen und unter Berücksichtigung der Arbeitsbedingungen und der Aufgabe.** Wenn Sie das Elektrogerät für Aufgaben verwenden, die nicht bestimmungsgemäß sind, kann dies zu gefährlichen Situationen führen.
- h. **Halten Sie die Griffe trocken, sauber und frei von Öl und Fett.** Rutschige Griffe und Oberflächen unterbinden

die sichere Bedienbarkeit und Kontrolle über das Werkzeug in unerwarteten Situationen.

5. Verwendung und Pflege von Akkugeräten

- a. **Laden Sie die Akkus nur in Ladegeräten auf, die vom Hersteller empfohlen werden.** Ein Ladegerät, das für einen bestimmten Akkutyp geeignet ist, kann zu Brandgefahr führen, wenn es mit einem anderen Akku verwendet wird.
- b. **Verwenden Sie Elektrogeräte nur mit den speziell vorgesehenen Akkus.** Der Einsatz anderer Akkus kann zu Verletzungs- und Brandgefahr führen.
- c. **Wenn Akkus nicht verwendet werden, halten Sie sie von anderen Metallteilen, z.B. Büroklammern, Münzen, Schlüsseln, Nägeln, Schrauben oder anderen kleinen Metallteilen fern, die eine Verbindung zwischen den Polen verursachen können.** Wenn die Akkupole kurzgeschlossen werden, kann dies zu Verbrennungen oder einem Brand führen.
- d. **Bei falscher Anwendung kann Flüssigkeit aus dem Akku austreten. Vermeiden Sie den Kontakt damit. Bei zufälligem Kontakt mit Wasser abspülen. Wenn die Flüssigkeit in die Augen kommt, nehmen Sie zusätzlich ärztliche Hilfe in Anspruch.** Austretende Akkuflüssigkeit kann zu Hautreizungen oder Verbrennungen führen.
- e. **Verwenden Sie kein Akkupack oder Werkzeug, das beschädigt ist oder modifiziert wurde.** Beschädigte oder modifizierte Akkus können unvorhersehbare Reaktionen auslösen und zu Bränden, Explosionen oder Verletzungen führen.
- f. **Setzen Sie das Akkupack oder Werkzeug keinem Feuer oder übermäßig hohen Temperaturen aus.** Die Belastung durch Feuer oder Temperaturen über 130 °C kann zur Explosion führen.
- g. **Befolgen Sie alle Ladeanweisungen und laden Sie das Akkupack oder Werkzeug nicht außerhalb des in den Anweisungen festgelegten Temperaturbereichs auf.** Ein unsachgemäßer Ladevorgang oder Temperaturen außerhalb des festgelegten Bereichs können den Akku schädigen und die Brandgefahr erhöhen.

6. Service

- a. **Lassen Sie Ihr Elektrowerkzeug nur von qualifiziertem Fachpersonal und nur mit Original- Ersatzteilen reparieren.** Damit wird sichergestellt, dass die Sicherheit des Gerätes erhalten bleibt.
- b. **Führen Sie niemals Wartungsarbeiten an beschädigten AKKUS durch.** Die Wartung von AKKUPACKS darf nur vom Hersteller selbst oder autorisierten Dienstleistern durchgeführt werden.

Allgemeine Sicherheitswarnhinweise für Elektrowerkzeuge

- ◆ **Verwenden Sie die mitgelieferten Zusatzgriffe.** Der Verlust der Kontrolle kann Verletzungen verursachen.
- ◆ **Halten Sie das Elektrowerkzeug an den isolierten Griffflächen, wenn Arbeiten durchgeführt werden, bei denen das Schneidgerät versteckte Leitungen berühren könnte.** Der Kontakt des Schneidwerkzeugs mit einer spannungsführenden Leitung kann auch metallene Geräteteile unter Spannung setzen und zu einem elektrischen Schlag führen.
- ◆ **Halten Sie das Gerät an den isolierten Griffflächen fest, wenn Sie Arbeiten ausführen, bei denen verdeckte Kabel oder das eigene Geräte-kabel beschädigt werden könnten.** Der Kontakt von Befestigungsmitteln mit einer spannungsführenden Leitung kann auch metallene Geräteteile unter Spannung setzen und zu einem elektrischen Schlag führen.
- ◆ **Sichern Sie das Werkstück zum Beispiel mit Einspannvorrichtungen auf einer stabilen Plattform.** Das Werkstück ist instabil, wenn es mit der Hand oder dem Körper abgestützt wird, was zum Verlust der Kontrolle führen kann.
- ◆ **Prüfen Sie vor dem Bohren in Wände, Fußböden oder Decken diese Stellen auf dahinterliegende Kabel oder Rohre.**
- ◆ **Berühren Sie die Spitze des Bohreinsatzes nicht unmittelbar nach dem Bohren, da diese heiß sein kann.**
- ◆ **Die bestimmungsgemäße Verwendung ist in dieser Betriebsanleitung beschrieben.** Die Verwendung von Zubehör oder Anbauteilen, die nicht in dieser Anleitung empfohlen sind, sowie die Bedienung des Geräts in Abweichung von den in dieser Anleitung beschriebenen Verfahren kann zu Verletzungen und/oder Sachschäden führen.

Sicherheit von Anderen

- ◆ **Lassen Sie diese Maschine niemals von Personen mit eingeschränkten körperlichen, sensorischen oder geistigen Fähigkeiten oder mangelnder Erfahrung und Wissen in Bezug auf diese Anweisungen bedienen.**
- ◆ **Beachten Sie lokale Richtlinien, in denen unter Umständen ein Mindestalter für den Bediener festgelegt ist.**
- ◆ **Es sollte stets ein Sicherheitsabstand zu anderen Personen, insbesondere Kindern, und Haustieren eingehalten werden.**

Zusätzliche Sicherheitshinweise für Akku Nagelmaschinen

- ◆ Tragen Sie immer eine Schutzbrille.
- ◆ Tragen Sie immer einen Gehörschutz.
- ◆ Verwenden Sie Befestigungselemente nur des im Handbuch angegebenen Typs.
- ◆ Verwenden Sie keinen Ständer zur Befestigung des Werkzeugs an einer Stütze.
- ◆ Demontieren oder blockieren Sie keine Teile des Eintreibgeräts, wie die Kontaktauslösung.
- ◆ Prüfen Sie vor jeder Verwendung, ob der Sicherheits- und Auslösemechanismus richtig funktioniert und dass alle Schrauben und Muttern fest angezogen sind.
- ◆ Verwenden Sie das Werkzeug nicht als Hammer.
- ◆ Verwenden Sie das Werkzeug nicht auf einer Leiter.
- ◆ Richten Sie ein laufendes Eintreibgerät nie auf sich selbst oder auf andere Personen.
- ◆ Halten Sie das Werkzeug während der Arbeit so, dass bei einem möglichen Rückstoß, der aufgrund einer Störung der Stromversorgung oder durch harten Bereiche innerhalb des Werkstücks entstehen kann, keine Verletzungen an Kopf oder Körper verursacht werden können.
- ◆ Betätigen Sie das Eintreibgerät nie in Richtung eines freien Raums.
- ◆ Tragen Sie das Werkzeug im Arbeitsbereich immer nur an einem Handgriff und niemals bei betätigtem Auslöser.
- ◆ Beachten Sie die Bedingungen des Arbeitsbereichs. Befestigungsmittel können dünne Werkstücke durchdringen oder an Ecken oder Kanten des Werkstücks abrutschen, wodurch eine Verletzungsgefahr entstehen kann.
- ◆ Treiben Sie Befestigungsmittel nicht nah an der Kante des Werkstücks ein.
- ◆ Treiben Sie Befestigungselemente nicht über anderen Befestigungselementen ein.
- ◆ Gehen Sie stets davon aus, dass das Werkzeug Klammern enthält. Die sorglose Behandlung der Nagelmaschine kann zum unerwarteten Abfeuern der Nägel und zu Verletzungen führen.
- ◆ Zeigen Sie mit dem Werkzeug nicht auf sich selbst oder in Richtung anderer Personen. Bei unerwarteter Auslösung werden Nägel abgegeben, wodurch Verletzungen verursacht werden.
- ◆ Betätigen Sie das Werkzeug nur, wenn es fest am Werkstück anliegt. Wenn das Werkzeug keinen Kontakt hat, kann das Befestigungsmittel vom vorgesehenen Ziel abgelenkt werden.
- ◆ Trennen Sie das Werkzeug von der Stromquelle ab, wenn der Nagel im Werkzeug klemmt. Wenn Sie einen klemmenden Nagel entfernen, kann die Nagelmaschine

unbeabsichtigt eingeschaltet werden, wenn sie in eine Steckdose eingesteckt ist.

- ◆ **Verwenden Sie dieses Werkzeug nicht zur Befestigen von Elektrokabeln.** Das Werkzeug ist nicht für die Installation von Elektrokabeln vorgesehen und kann deren Isolierung beschädigen, wodurch Stromschläge oder Brände verursacht werden können.

Restrisiken

Zusätzliche Restrisiken können auftreten, wenn das Werkzeug verwendet wird, das möglicherweise nicht in den Sicherheitswarnungen enthalten ist. Diese Risiken können aus Missbrauch, verlängerter Nutzung usw. resultieren.

Selbst unter Beachtung der geltenden Sicherheitsvorschriften und des Einsatzes von Schutzvorrichtungen können bestimmte Risiken nicht vermieden werden. Diese sind:

- ◆ Verletzungen durch Berühren rotierender/sich bewegender Teile.
- ◆ Verletzungen bei einem Wechsel von Teilen, Klingen oder Zubehör.
- ◆ Verletzungen, die durch zu lange Nutzung des Werkzeugs verursacht werden. Bei der längeren Verwendung eines Werkzeugs ist sicherzustellen, dass regelmäßig Pausen eingelegt werden.
- ◆ Schwerhörigkeit.
- ◆ Gesundheitsgefahren durch Einatmen von Staub bei der Benutzung des Werkzeugs (beispielsweise bei der Arbeit mit Holz, vor allem Eiche, Buche und MDF.)

Geräusche und Vibrationen

Die in den technischen Daten und der Konformitätserklärung angegebenen Geräusch- und Vibrationsemissionswerte wurden gemäß einem genormten Prüfverfahren gemäß EN60745 gemessen und können zum Vergleich eines Werkzeugs mit einem anderen verwendet werden.

Der deklarierte Geräusch- und Vibrationsemissionswert kann auch für eine vorläufige Bewertung der Exposition verwendet werden.

Warnung! Der Geräusch- und Vibrationsemissionswert während des tatsächlichen Gebrauchs des Elektrowerkzeugs kann je nach Art der Verwendung des Werkzeugs von dem angegebenen Wert abweichen. Der Geräusch- und Vibrationspegel kann über das angegebene Niveau ansteigen. Bei der Bewertung der Lärm- und Vibrationsbelastung zur Bestimmung der Sicherheitsmaßnahmen, die gemäß 2002/44/EG erforderlich sind, um Personen zu schützen, die regelmäßig Elektrowerkzeuge am Arbeitsplatz verwenden, sollten bei einer Schätzung der Lärm- und Vibrationsbelastung die tatsächlichen Nutzungsbedingungen und die Art und Weise, wie das Werkzeug verwendet wird, berücksichtigt werden. einschließlich der Berücksichtigung aller Teile des Betriebszyklus, wie z.B. der Zeiten, in denen das

Werkzeug ausgeschaltet ist, und des Leerlaufs, zusätzlich zur Auslösezeit.

Etiketten am Werkzeug

Am Gerät sind die folgenden Warnsymbole inkl.

Datumscode angebracht:



Warnung! Zur Reduzierung der Verletzungsgefahr muss der Nutzer die Betriebsanleitung lesen.



Warnung! Zur Reduzierung der Verletzungsgefahr muss der Nutzer Augen- und Gehörschutz tragen.



Vorsicht: Starren Sie nicht auf die Betriebsleuchte.



Zur Beleuchtung des unmittelbaren Arbeitsbereichs sowie als Batterieentladeanzeige und als Anzeige bei einem eingeklemmten Nagel.



Halten Sie Ihre Hände und Körperteile vom unmittelbaren Arbeitsbereich fern.

Zusätzliche Sicherheitshinweise für Akkus und Ladegeräte

Akkus

- ◆ Keinesfalls versuchen, den Akku zu öffnen.
- ◆ Achten Sie darauf, dass der Akku nicht mit Wasser in Berührung kommt.
- ◆ Nicht bei Temperaturen über 40 °C lagern.
- ◆ Laden Sie den Akku nur bei Umgebungstemperaturen von 10 °C bis 40 °C.
- ◆ Beachten Sie bei der Entsorgung von Batterien und Akkus die Hinweise im Abschnitt „Umweltschutz“.
- ◆ Der Akku darf nicht durch mechanische Krafteinwirkung oder Belastungen beschädigt oder verformt werden. Andernfalls besteht Verletzungs- und Brandgefahr.
- ◆ Laden Sie beschädigte Akkus nicht auf.
- ◆ Unter extremen Bedingungen können Akkus undicht werden. Wenn Sie feststellen, dass aus dem Akku Flüssigkeit austritt, wischen Sie diese vorsichtig mit einem Tuch ab. Vermeiden Sie Hautkontakt.
- ◆ Beachten Sie nach Haut- oder Augenkontakt die folgenden Hinweise

Warnung! Batteriesäure kann Sach- oder Personenschäden verursachen. Spülen Sie die Säure nach Hautkontakt sofort mit Wasser ab. Suchen Sie einen Arzt auf, wenn sich auf der Haut Rötungen, Reizungen oder andere Irritationen zeigen. Spülen Sie das Auge nach Augenkontakt sofort mit sauberm Wasser aus, und suchen Sie einen Arzt auf.



Versuchen Sie nicht, beschädigte Batterien aufzuladen

Ladegeräte

- ◆ Verwenden Sie das STANLEY FATMAX-Ladegerät nur für den Akku des Werkzeugs, mit dem es geliefert wurde. Andere Akkus könnten platzen und Sachschäden oder Verletzungen verursachen.
- ◆ Versuchen Sie keinesfalls, nicht aufladbare Batterien zu laden.
- ◆ Lassen Sie beschädigte Kabel sofort austauschen.
- ◆ Achten Sie darauf, dass das Ladegerät nicht mit Wasser in Berührung kommt.
- ◆ Versuchen Sie nicht, das Ladegerät zu öffnen.
- ◆ Nehmen Sie am Ladegerät keine Veränderungen vor.

Symbole auf dem Ladegerät



Das Ladegerät darf nur im Innenbereich verwendet werden.



Vor Gebrauch die Anleitung lesen.

Elektrische Sicherheit



Das Ladegerät ist schutzisoliert, daher ist keine Erdleitung erforderlich. Stellen Sie sicher, dass die Netzspannung der auf dem Typenschild des Geräts angegebenen Spannung entspricht. Ersetzen Sie das Ladegerät keinesfalls durch ein normales Netzkabel.

Merkmale

Dieses Gerät verfügt über einige oder alle der folgenden Merkmale:

1. Auslöseschalter
2. Auslösersperrschalter
3. Tiefeneinstellung
4. Tiefeneinstellungsanzeige
5. Arbeitsleuchte/Anzeigelampe für schwachen Akku/Staublockierung
6. Blockierungslösehebel
7. Sperrklinke zum Beheben von Staus
8. Kontaktauslösung
9. Magazin
10. Schieberriegel
11. Schieberriegelfreigabe
12. Akku

Verwendung

Warnung! Lassen Sie das Werkzeug die Geschwindigkeit selbst bestimmen. Nicht überlasten.

Laden des Akkus (Abb.A)

Der Akku muss vor erstmaliger Benutzung und immer dann aufgeladen werden, wenn das Gerät nicht mehr die volle Leistung bringt. Während des Ladevorgangs kann der Akku warm werden. Das ist normal.

Warnung! Laden Sie den Akku nicht, wenn die Umgebungstemperatur unter 10 °C oder über 40 °C liegt. Empfohlene Ladetemperatur: ca. 24 °C.







Hinweis: Ein Akku, bei dem die Temperatur der Batteriezellen unter ca. 10 °C oder über 40 °C liegt, wird vom Ladegerät nicht geladen.

Lassen Sie in diesem Fall den Akku im Ladegerät. Das Ladegerät beginnt automatisch mit dem Ladevorgang, sobald sich die Zellen erwärmt bzw. abgekühlt haben.

Hinweis: Um die maximale Leistung und Lebensdauer der Li-Ionen-Akkus zu gewährleisten, laden Sie das Akkupack vor der ersten Verwendung vollständig auf

- ◆ Setzen Sie das Ladegerät (13) in eine geeignete Steckdose ein, bevor Sie den Akku (12) einsetzen.
- ◆ Die grüne Leuchte (Aufladen) (13a) blinkt dauerhaft und zeigt dadurch an, dass der Ladevorgang begonnen wurde.
- ◆ Der Abschluss des Ladevorgangs wird dadurch angezeigt, dass das grüne Licht (13a) dauerhaft leuchtet. Der Akku (12) ist vollständig aufgeladen und kann jetzt entnommen und verwendet oder in der Ladestation (13) gelassen werden.
- ◆ Ein entladener Akku sollte innerhalb einer Woche wieder aufgeladen werden. Die Lebensdauer des Akkus sinkt drastisch, wenn dieser in entladener Zustand aufbewahrt wird.

LED-Modi des Ladegeräts

	Laden: Grüne LED - mit Unterbrechungen	
	Vollständig aufgeladen: Grüne LED - dauerhaft	
	Verzögerung heißer/kalter Akku: Grüne LED - mit Unterbrechungen Rote LED - dauerhaft	

Hinweis: Diese/s kompatible/n Ladegerät/e lädt keine defekten Akkus auf. Das Ladegerät zeigt einen defekten Akku dadurch an, dass es nicht leuchtet.

Hinweis: Dies kann auch auf ein Problem mit dem Ladegerät hinweisen. Wenn das Ladegerät auf ein Problem hinweist, bringen Sie es zusammen mit dem Akku zur Überprüfung zu einer autorisierten Servicestelle.

Belassen des Akkus im Ladegerät

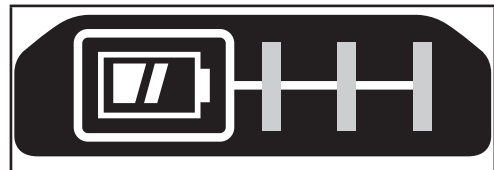
Sie können den Akku auf im Ladegerät belassen. In diesem Fall leuchtet die LED-Anzeige dauerhaft. Das Ladegerät hält den Akku in einem vollständig geladenen Zustand.

Verzögerung heißer/kalter Akku

Wenn das Ladegerät einen zu heißen oder zu kalten Akku erkennt, startet es automatisch die Verzögerung heißer/kalter Akku. Die grüne LED (13a) blinkt dann mit Unterbrechungen, während die rote LED (13b) kontinuierlich leuchtet und den Ladevorgang bis zum Ende des Ladevorgangs unterbricht, bis der Akku eine angemessene Temperatur erreicht hat. Das Ladegerät schaltet dann automatisch in den Lademodus. Diese Funktion gewährleistet eine maximale Lebensdauer des Akkus.

Akkuladestandsanzeige (Abb. B)

Der Akku besitzt eine Ladestandsanzeige, mit der die Lebensdauer der Batterie wie in Abbildung B dargestellt schnell ermittelt werden kann. Durch Drücken der Ladezustands-Taste (12a) können Sie die im Akku verbleibende Ladung wie in Abbildung B dargestellt anzeigen.



Anbringen und Entfernen des Akkus

Warnung! Der Verriegelungsknopf muss eingerastet sein, damit keine unbeabsichtigte Bedienung des Ein-/Aus-Schalters vor dem Anbringen bzw. Entfernen des Akkus erfolgen kann.

Anbringen des Akkus (Abb.C)

- ◆ Setzen Sie den Akku fest in das Werkzeug ein, bis ein Klicken zu hören ist, wie in Abbildung C gezeigt wird. Achten Sie darauf, dass der Akku vollständig eingesetzt und eingerastet ist.

Entfernen des Akkus (Abb.D)

- ◆ Drücken Sie den Akku-Löseknopf (12b) wie in Abbildung D gezeigt und ziehen Sie den Akku aus dem Werkzeug.

Aufhängehaken (Abb.E, F)

Warnung! Entfernen Sie die Nägel aus dem Magazin, bevor Sie am Werkzeug Einstellungen oder Wartungsarbeiten

vornehmen. Eine Nichtbeachtung kann schwere Verletzungen zur Folge haben.

Warnung! Um die Gefahr schwerer Verletzungen zu mindern, stellen Sie den Rechts-/Links-Schalter in die Verriegelungsposition oder schalten Sie das Gerät aus und entfernen Sie den Akku, bevor Sie Einstellungen vornehmen oder Anbaugeräte oder Zubehör anbringen oder entfernen. Ungewolltes Anlaufen kann Verletzungen verursachen.

Warnung! Stellen Sie zur Vermeidung von schweren Verletzungen sicher, dass die Schraube (15) die den Aufhängehaken hält, sicher ist.

Vorsicht: Wenn es nicht in Gebrauch ist, legen Sie das Werkzeug auf eine stabile Oberfläche, wo es kein Stolpern oder Stürze verursachen kann. Bestimmte Werkzeuge mit großen Akkus stehen aufrecht auf dem Akku und können leicht umgeworfen werden.

Hinweis: Verwenden Sie beim Befestigen oder Austauschen des Aufhängehakens (14) nur die mitgelieferte Schraube (15). Stellen Sie sicher, dass die Schraube gut festgezogen ist. Wenn der Haken gar nicht verwendet werden soll, kann er vom Werkzeug abgenommen werden.

Um die Position des Aufhängehakens zu ändern, entfernen Sie die Schraube (15), durch die der Aufhängehaken (14) befestigt ist.

Hinweis: Verschiedene Trackwall-Haken und Aufbewahrungskonfigurationen sind verfügbar.

Weitere Informationen finden Sie auf unserer Website unter www.stanley.eu/3.

Betrieb

Warnung! Lesen Sie den Abschnitt mit dem Titel „Sicherheitshinweise zu Nagelmaschinen“ am Anfang dieses Handbuchs. Tragen Sie Augen- und Gehörschutz, wenn Sie mit dem Gerät arbeiten. Halten Sie die Nagelmaschine von sich und anderen weg. Für einen sicheren Betrieb führen Sie vor jeder Benutzung der Nagelmaschine die folgenden Arbeiten und Kontrollen durch.

Warnung! Um die Gefahr von Verletzungen zu vermeiden, trennen Sie den Akku vom Werkzeug und betätigen Sie die Auslösersperre, bevor Sie Wartungsarbeiten durchführen, gestaute Nägel beseitigen, den Arbeitsbereich verlassen, das Werkzeug an eine andere Stelle bringen oder das Werkzeug einer anderen Person übergeben.

Warnung! Halten Sie die Finger vom Auslöser WEG, wenn keine Befestigungselemente eingetrieben werden, um ein versehentliches Auslösen zu vermeiden. Tragen Sie das Werkzeug niemals mit dem Finger am Auslöser.

- ◆ Tragen Sie geeigneten Augen-, Gehör- und Atemschutz.
- ◆ Nehmen Sie den Akkupack aus dem Werkzeug heraus und kuppeln die Auslösersperre ein.
- ◆ Verriegeln Sie den Schieber in der hinteren Position und entfernen Sie alle Nagelstreifen aus dem Magazin.

- ◆ Überprüfen Sie, dass die Kontaktauslösungs- und Schieberbaugruppen reibungslos und ordnungsgemäß funktionieren. Sehen Sie von einer Verwendung des Werkzeugs ab, wenn eine der Baugruppen nicht einwandfrei arbeitet.
- ◆ Verwenden Sie niemals ein Werkzeug, dessen Teile beschädigt sind.

Warnung! Betreiben Sie das Werkzeug mit Befestigungselementen mit einer Geschwindigkeit, die 30 Mal/Minute nicht überschreitet.

Bedienung der Nagelmaschine

Warnung! Die Kontaktauslösung muss eingedrückt werden, gefolgt vom vollständigen Herausziehen des Auslösers für jeden Nagel, wiederum gefolgt vom Loslassen der Kontaktauslösung und des Auslösers nach jedem Nagel.

Warnung! Der Akku sollte immer entfernt werden und die Auslösersperre betätigt werden, wenn Einstellungen vorgenommen werden oder wenn das Werkzeug nicht in Gebrauch ist.

- ◆ Drücken Sie den Kontaktauslöser (8) gegen die Arbeitsfläche.
- ◆ Ziehen Sie den Auslöser (1) vollständig heraus, dann startet der Motor. (Der Nagel wird in die Arbeitsfläche eingetrieben.)
- ◆ Lassen Sie den Auslöser los.
- ◆ Nehmen Sie die Kontaktauslösung von der Arbeitsfläche ab.
- ◆ Wiederholen Sie die obigen 4 Schritte für die nächste Anwendung.

Vorbereiten des Werkzeugs

Warnung! Sprühen Sie NIE Öl, Schmiermittel oder Reinigungslösungen in das Innere des Werkzeugs oder tragen diese auf irgendeine andere Weise auf. Das kann die Lebensdauer und Leistung des Werkzeugs ernsthaft beeinträchtigen.

Warnung! Der Akku sollte immer entfernt werden und die Auslösersperre betätigt werden, wenn Einstellungen vorgenommen werden oder wenn das Werkzeug nicht in Gebrauch ist.

- ◆ Lesen Sie die Sicherheitshinweise in dieser Anleitung.
- ◆ Tragen Sie Augen- und Gehörschutz.
- ◆ Entfernen Sie den Akku aus dem Werkzeug und laden Sie ihn vollständig auf.
- ◆ Stellen Sie sicher, dass im Magazin keine Befestigungselemente mehr vorhanden sind.
- ◆ Überprüfen Sie, dass die Kontaktauslösungs- und Schieberbaugruppen reibungslos und ordnungsgemäß funktionieren. Sehen Sie von einer Verwendung des Werkzeugs ab, wenn eine der Baugruppen nicht einwandfrei arbeitet.
- ◆ Halten Sie das Werkzeug von sich und anderen weg.

- ◆ Setzen Sie nur einen vollständig geladenen Akku ein.

Korrekte Handstellung (Fig. G)

Warnung! Um das Risiko schwerer Verletzungen zu verringern, verwenden Sie IMMER die richtige Handposition, wie in Abbildung G gezeigt.

Warnung! Um das Risiko schwerer Personenschäden zu verringern, IMMER gut festhalten in Erwartung einer plötzlichen Reaktion.

Die richtige Handposition erfordert eine Hand am Hauptgriff.

Einstellen der Tiefe (Fig. H)

Die Eintreibtiefe des Befestigers kann mit dem Tiefeneinstellrad (3) an der Seite des Werkzeugs eingestellt werden.

Warnung! Um das Risiko schwerer Verletzungen durch versehentliche Betätigung beim Versuch, die Tiefe einzustellen, zu verringern, immer:

- ◆ Akkupack entfernen.
- ◆ Abzugssperre aktivieren.
- ◆ Vermeiden Sie den Kontakt mit dem Auslöser während der Einstellungen.
Die Tiefeneinstellungen erfolgen auf einer Gleitskala (4). Die linke Seite zeigt die tiefste und die rechte Seite die flachste an.
- ◆ Um einen Nagel tiefer einzutreiben, drehen Sie das Tiefeneinstellrad (3) nach unten. Dadurch wird die Tiefeneinstellungsanzeige (4) auf der Skala nach links verschoben.
- ◆ Um einen Nagel flacher einzutreiben, drehen Sie das Tiefeneinstellrad (3) nach oben. Dadurch wird die Tiefeneinstellungsanzeige (4) auf der Skala nach rechts verschoben.

Be- und Entladen des Werkzeuges (Fig. I, J)

Warnung! Halten Sie das Werkzeug von sich und anderen fern. Schwere Personenschäden können die Folge sein.

Warnung! Niemals Nägel laden, wenn der Kontaktauslöser oder Auslöser aktiviert ist.

Warnung! Entfernen Sie immer den Akkupack, bevor Sie Nägel laden oder entladen.

Warnung! Der Akku sollte immer entfernt und die Abzugssperre aktiviert werden, wenn Einstellungen vorgenommen werden oder das Werkzeug nicht verwendet wird.

Laden des Werkzeuges

- ◆ Drückerriegel (10) drücken und Magazin nach unten ziehen.
- ◆ Befestigungselemente seitlich in das Magazin einführen. Stellen Sie sicher, dass die Befestigungsspitzen zur Vorderseite des Magazins unter der Nagelführung (16) im Nagelkanal platziert sind.
- ◆ Magazin zuschieben, bis es einrastet.

Warnung! Finger vom Drücker fernhalten, um Verletzungen zu vermeiden.

Entladen des Werkzeuges

Warnung! Der Akku sollte immer entfernt und die Abzugssperre aktiviert werden, wenn Einstellungen vorgenommen werden oder das Werkzeug nicht verwendet wird.

- ◆ Drücken Sie auf die Nagelschieberverriegelung und ziehen Sie das Magazin nach unten.
- ◆ Kippen Sie das Werkzeug nach oben, bis die Nägel frei aus dem gleiten Zeitschrift.
- ◆ Öffnen Sie die Staubeseitigungsklappe (7) am Nasenstück, um sicherzustellen, dass keine Nägel mehr vorhanden sind.

Arbeitscheinwerfer (Fig. K)

Auf jeder Seite des Naglers befinden sich Arbeitscheinwerfer (5).

Die Arbeitscheinwerfer schalten sich ein, wenn der Kontaktauslöser gedrückt wird.

Hinweis: Diese Arbeitscheinwerfer dienen der Beleuchtung der unmittelbaren Arbeitsfläche und sind nicht als Taschenlampen gedacht.



Anzeige für schwache Batterie:

Die linke Arbeitsleuchte blinkt vielmal hintereinander und schaltet sich dann aus, um eine schwache Batterie anzuzeigen.



Anzeige für eingeklemmte Nägel:

Die rechte Arbeitsleuchte blinkt kontinuierlich, wenn ein Nagel im Nasenstück eingeklemmt ist (siehe Beseitigen eines eingeklemmten Nagels).

Stallfreigabe (Fig. L)

Warnung! Wenn ein Stillstand auftritt, deaktiviert sich das Tool selbst und fordert Sie auf, es zurückzusetzen. Befolgen Sie dazu die Anweisungen zum Beheben eines blockierten Zustands. Entfernen Sie als nächstes den Akkupack und setzen Sie den Akkupack wieder ein. Das Tool ist nun betriebsbereit.

Wenn der Nagler in einer strengen Anwendung verwendet wird, wo alle verfügbare Energie im Motor verwendet wird, um ein Befestigungselement anzutreiben, kann das Werkzeug stehen bleiben. Das Treiberblatt hat den Fahrzyklus nicht

abgeschlossen und die Stau-/Blockieranzeige blinkt. Drehen Sie den Feststellösehebel (6) am Werkzeug und der Mechanismus löst sich, wie in Abbildung L gezeigt. **Notiz!** Das Werkzeug deaktiviert sich selbst und wird nicht zurückgesetzt, bis der Akku entfernt und wieder eingesetzt wurde. Wenn das Gerät weiterhin blockiert, überprüfen Sie bitte das Material und die Befestigungslänge, um sicherzustellen, dass es sich nicht um eine zu strenge Anwendung handelt. Wenn der Fahrer Klinge nicht automatisch in die Ausgangsposition zurückkehrt, nachdem der Feststellösehebel gedreht wurde, fahren Sie mit „Beseitigen eines eingeklemmten Nagels“ fort.

Beseitigen eines eingeklemmten Nagels (Fig. M, N)

Warnung! Um das Verletzungsrisiko zu verringern, trennen Sie den Akkupack vom Werkzeug und aktivieren Sie die Abzugssperre, bevor Sie Wartungsarbeiten durchführen oder einen eingeklemmten Nagel entfernen.

Wenn sich ein Nagel im Nasenstück verklemt, halten Sie das Werkzeug von sich weg gerichtet und befolgen Sie diese Anweisungen, um Folgendes zu beseitigen:

- ◆ Entfernen Sie den Akku aus dem Werkzeug und aktivieren Sie die Abzugssperre.
- ◆ Beladene Nägel entfernen. Siehe Laden und Entladen des Werkzeugs.
- ◆ Heben Sie den Staubeseitigungsriegel 7 an und ziehen Sie ihn dann nach oben, um die vordere Klappe 17 zu öffnen.
- ◆ Verbogenen Nagel entfernen, ggf. mit Zange.
- ◆ Wenn sich das Antriebsblatt in der unteren Position befindet, lösen Sie den Feststellhebel 6 mit genügend Kraft, um ihn vollständig zum anderen Ende des Schlitzes in den Gehäusen zu schieben.
- ◆ Schließen Sie die Vordertür und rasten Sie den Verriegelungsstift unter den beiden Armen 18 am Nasenstück ein. Drücken Sie die Verriegelung, bis sie einrastet.
- ◆ Akkupack wieder einsetzen.

Warnung! Wenn ein Stau auftritt, deaktiviert sich das Werkzeug selbst und fordert Sie auf, es zurückzusetzen. Befolgen Sie dazu die Anweisungen zum Entfernen des eingeklemmten Nagels. Entfernen Sie als nächstes den Akkupack und setzen Sie den Akkupack wieder ein. Das Tool ist nun betriebsbereit.

Hinweis! Sollten die Nägel beim Kontaktauslöser weiterhin häufig klemmen, lassen Sie das Werkzeug von einem autorisierten STANLEY FATMAX-Servicecenter warten.

Cold Weather Operation

When operating tools at temperatures below freezing:

- ◆ Keep tool as warm as possible prior to use.

- ◆ Actuate the tool 5 or 6 times into scrap lumber before using.

Betrieb bei heißem Wetter

Das Werkzeug sollte normal funktionieren. Halten Sie das Werkzeug jedoch von direkter Sonneneinstrahlung fern, da übermäßige Hitze Stoßfänger und andere Gummiteile beschädigen kann, was zu erhöhtem Wartungsaufwand führt.

No-mar-tipp (Fig. O)

Das Werkzeug wird mit einer Ersatzspitze (19) geliefert, die sich an der Seite des Nagelmagazins befindet.

Um das No-Mar-tipp auszutauschen, ziehen Sie einfach das alte No-Mar-tipp ab und setzen Sie das neue No-Mar-tipp wieder auf den Kontaktauslöser (8).

Ersatzteile

Warnung! Um das Verletzungsrisiko zu verringern, trennen Sie den Akkupack vom Werkzeug und aktivieren Sie die Abzugssperre, bevor Sie Wartungsarbeiten durchführen oder einen eingeklemmten Nagel entfernen.

Das Werkzeug ist mit einer Ersatzspitze ausgestattet, die sich an der Seite des Nagelmagazins befindet.

Verwenden Sie nur identische Ersatzteile. Eine Teileliste oder Teilebestellung finden Sie auf unserer Service-Website unter www.stanley.eu/3co.uk. Sie können Teile auch bei Ihrem nächsten Händler bestellen STANLEY FATMAX Factory Service Center oder autorisierte STANLEY FATMAX Garantie.

Zubehör

Warnung! Da andere Zubehörteile als die von STANLEY FATMAX angebotenen nicht mit diesem Produkt getestet wurden, könnte die Verwendung solchen Zubehörs mit diesem Werkzeug gefährlich sein. Um das Verletzungsrisiko zu verringern, sollte mit diesem Produkt nur von STANLEY FATMAX empfohlenes Zubehör verwendet werden. Empfohlenes Zubehör zur Verwendung mit Ihrem Werkzeug sind gegen Aufpreis bei Ihrem Händler vor Ort oder autorisiert erhältlich Servicecenter.

Fehlerbehebung

Wenn Ihr Gerät nicht richtig zu funktionieren scheint, befolgen Sie die folgenden Anweisungen.

Wenn dies das Problem nicht löst, wenden Sie sich bitte an Ihren örtlichen STANLEY FATMAX-Reparaturpartner.

Warnung! Trennen Sie das Gerät, bevor Sie fortfahren.

Problem	Mögliche Ursache	Mögliche Lösung
Gerät startet nicht.	Akku nicht richtig eingesetzt.	Überprüfen Sie die Installation des Akkupacks.
	Akku nicht geladen.	Prüfen Sie die erforderliche Ladekapazität
	Abzugssperre ist engagiert.	Lösen Sie die Abzugssperre.

Problem	Mögliche Ursache	Mögliche Lösung
Werkzeug lässt sich nicht betätigen. (Leuchten an, Motor läuft nicht.)	Motor hört nach 2 Sekunden auf zu laufen.	Normaler Betrieb; Auslöser oder Kontaktauslösung lösen und noch einmal drücken.
Tool doesn't activate. (Headlights flash)	Werkzeug löst nicht aus. (Scheinwerfer blinken)	Batterie laden oder ersetzen.
Werkzeug löst nicht aus. (Scheinwerfer blinken ständig)	Befestiger verklemt / Werkzeug steckengeblieben. Blockierter Mechanismus.	Entfernen Sie die Batterie, drehen Sie den Blockierfreigabehebel. Entfernen Sie das verkleimte Befestigungselement und setzen Sie den Akku wieder ein. Siehe autorisiertes Servicezentrum.
Werkzeug löst nicht aus. (Scheinwerfer an, Motor läuft, Mitnehmerklinge klemmt fest).		Siehe autorisiertes Servicezentrum.
Werkzeug funktioniert, tut es aber das Befestigungselement nicht vollständig eintreiben.	Niedrige Batterieladung oder beschädigte Batterie. Tiefeneinstellung zu flach eingestellt. Werkzeug nicht fest am Werkstück angelegt. Material und Befestigungslänge zu streng für eine Anwendung.	Batterie laden oder ersetzen. Tiefeneinstellrad auf drehen eine tiefere Einstellung. Bedienungsanleitung lesen. Wählen Sie das geeignete Material oder die Befestigungslänge.

Wartung

Ihr STANLEY FATMAX-Gerät wurde im Hinblick auf eine lange Lebensdauer und einen möglichst geringen Wartungsaufwand entwickelt. Ein kontinuierlicher, zufriedenstellender Betrieb hängt von der richtigen Pflege des Gerätes und seiner regelmäßigen Reinigung ab.

Das Ladegerät benötigt keine Wartung, es sollte jedoch regelmäßig gereinigt werden.

Warnung! Entfernen Sie vor jeglichen Wartungsarbeiten am Gerät den Akku aus dem Gerät. Ziehen Sie das Ladegerät aus der Netzsteckdose, bevor Sie es reinigen.

- Reinigen Sie regelmäßig die Lüftungsschlitze des Geräts und des Ladegeräts mit einer weichen Bürste oder einem trockenen Tuch.
- Reinigen Sie das Motorgehäuse regelmäßig mit einem feuchten Tuch. Verwenden Sie keine scheuernden Reinigungsmittel oder Reinigungsmittel auf Lösungsmittelbasis.
- Öffnen Sie regelmäßig das Bohrfutter, und entfernen Sie durch Klopfen Staub aus dem Inneren des Geräts.

Umweltschutz



Getrennte Entsorgung. Produkte und Batterien, die mit diesem Symbol gekennzeichnet sind, dürfen nicht im normalen Hausmüll entsorgt werden.

Produkte und Akkus enthalten Materialien, die wiederverwertet werden können, um den Bedarf an Rohstoffen zu verringern. Bitte recyceln Sie elektrische Produkte und Akkus gemäß den örtlichen Bestimmungen. Weitere Informationen finden Sie auf www.2helpU.com

Technische Daten

		SFMCN618 Type:1
Spannung	V _{DC}	18
Batterietyp		Li-Ion
Auslösemodus		Sequential
Magazinwinkel		Straight
Leerlaufdrehzahl	/min	9000
Antriebsenergie	approx	50J
Gewicht (ohne Werkzeug)	kg	2,43

Befestigungselemente		
Länge	mm	16 - 50
Schaftdurchmesser	mm	1,27
Winkel		Straight

Dieses Werkzeug ist eine bloße Einheit, kann aber mit den Ladegeräten in der folgenden Tabelle verwendet werden.

Ladegerät		SFMCB10	SFMCB11	SFMCB12	SFMCB14
Eingangsspannung	V _{AC}	230	230	230	230
Ausgangsspannung	V _{DC}	18	18	18	18
Stromstärke	A	1,25	1,25	2	4

Dieses Werkzeug ist eine bloße Einheit, kann aber mit den Batterien in der folgenden Tabelle verwendet werden.

Akku		SFMCB201	SFMCB202	SFMCB204	SFMCB206
Spannung	V _{DC}	18	18	18	18
Kapazität	Ah	1,5	2,0	4,0	6,0
Typ		Li-Ion	Li-Ion	Li-Ion	Li-Ion

Schalldruckpegel gemäß EN60745:

Schalldruck (L_{pA}) 84 dB(A), Unsicherheitsfaktor (K) 3 dB(A)
Schalleistung (L_{WA}) 95 dB(A), Unsicherheitsfaktor (K) 3 dB(A)

Gesamtvibration (Triax-Vektorsumme) gemäß EN60745:

Nagelklammern (a_v) 2,8 m/s², Unsicherheitsfaktor (K) 1,8 m/s²

EC declaration of conformity

MACHINERY DIRECTIVE



SFMCN618 - Akku-Nagelmaschine

STANLEY Europe erklärt die Übereinstimmung der beschriebenen Produkte mit den Richtlinien 2006/42/EC; EN 60745-1:2009 + A11:2010; EN 60745-2-16:2010

Diese Produkte entsprechen außerdem den Richtlinien 2014/30/EU und 2011/65/EU. Für weitere Informationen wenden Sie sich bitte an STANLEY Europe unter der folgenden Adresse oder schauen Sie auf der Rückseite dieser Betriebsanleitung nach.

Für weitere Informationen wenden Sie sich bitte an STANLEY FATMAX unter der folgenden Adresse oder schauen Sie auf der Rückseite dieser Betriebsanleitung nach.

Der Unterzeichnete ist verantwortlich für die Zusammenstellung des technischen Dossiers und gibt diese Erklärung im Namen von STANLEY FATMAX ab.

Patrick Diepenbach

Patrick Diepenbach
General Manager, Benelux
STANLEY FATMAX,
Egide Walschaertsstraat 14-18
2800 Mechelen, Belgien
30/05/2023

Garantie

STANLEY FATMAX vertraut auf die Qualität der eigenen Geräte und bietet dem Käufer eine außergewöhnliche Garantie von 12 Monaten ab Kaufdatum. Diese Garantie versteht sich unbeschadet der gesetzlichen Gewährleistungsansprüche und schränkt diese keinesfalls ein. Diese Garantie gilt innerhalb der Staatsgebiete der Mitgliedstaaten der Europäischen Union, der Europäischen Freihandelszone und des Vereinigten Königreichs. Zur Inanspruchnahme dieser Garantie muss sie den allgemeinen Geschäftsbedingungen von STANLEY FATMAX entsprechen und dem Verkäufer bzw. der Vertragswerkstatt ist ein Kaufnachweis vorzulegen.

Die Bedingungen für die 1-jährige Garantie von STANLEY FATMAX und den Standort Ihrer nächstgelegenen Vertragswerkstatt finden Sie im Internet unter www.2helpU.com oder indem Sie sich an die lokale STANLEY FATMAX-Niederlassung wenden, deren Adresse Sie in dieser Anleitung finden.

Ihr neues STANLEY FATMAX-Produkt können Sie auf unserer Website unter www.stanley.eu/3 registrieren. Dort erhalten Sie auch Informationen über neue Produkte und Sonderangebote.

Utilisation prévue

Votre cloueuse sans-fil STANLEY FATMAX SFMCN618 a été spécialement conçue pour clouer. Cet appareil est prévu pour les utilisateurs professionnels et les particuliers.

Consignes de sécurité**Avertissements de sécurité générale propres aux outils électriques**

Avertissement! Lire tous les avertissements de sécurité, instructions, illustrations et spécifications fournies avec cet outil électrique. Le non-respect des avertissements et des instructions ci-dessous peut entraîner un choc électrique, un incendie et/ou des blessures graves.

Conservez tous les avertissements et toutes les instructions afin de pouvoir vous y référer dans le futur. Le terme "outil électrique" mentionné dans tous les avertissements listés ci-dessous fait référence à vos outils électriques branchés sur secteur (avec câble) ou fonctionnant sur pile ou batterie (sans fil).

1. Sécurité – Aire de Travail

- a. **Maintenir l'aire de travail propre et bien éclairée.** Les lieux sombres ou encombrés sont propices aux accidents.
- b. **Ne pas utiliser un outil électrique dans un milieu déflagrant, comme en présence de liquides, gaz ou poussières inflammables.** Les outils électriques peuvent produire des étincelles qui pourraient enflammer toute émanation ou poussière ambiante.
- c. **Maintenir à l'écart les enfants, ou toute autre personne, lors de l'utilisation d'un outil électrique.** Toute distraction pourrait faire perdre la maîtrise de l'appareil.

2. Sécurité – Électricité

- a. **La fiche électrique de l'outil doit correspondre à la prise murale.** Ne modifier la fiche en aucune façon. Ne pas utiliser de fiche d'adaptation avec un outil électrique mis à la terre (masse). L'utilisation de fiches d'origine et de prises appropriées réduira tout risque de décharges électriques.
- b. **Éviter tout contact corporel avec des éléments mis à la terre comme : tuyaux, radiateurs, cuisinières ou réfrigérateurs.** Les risques de décharges électriques augmentent lorsque le corps est mis à la terre.
- c. **Ne pas exposer les outils électriques à la pluie ou à l'humidité.** Tout contact d'un outil électrique avec un liquide augmente les risques de décharges électriques.
- d. **Ne pas utiliser le cordon de façon abusive.** Ne jamais utiliser le cordon pour transporter, tirer ou débrancher un

outil électrique. Protéger le cordon de toute source de chaleur, de l'huile, et de tout bord tranchant ou pièce mobile. Les cordons endommagés ou emmêlés augmentent les risques de décharges électriques.

- e. **En cas d'utilisation d'un outil électrique à l'extérieur, utiliser systématiquement une rallonge conçue à cet effet.** Cela diminuera tout risque de décharges électriques.
 - f. **Si on ne peut éviter d'utiliser un outil électrique en milieu humide, utiliser un circuit protégé par un dispositif de courant résiduel (RCD).** Cela réduira tout risque de décharges électriques. 3.
- ### 3. Sécurité Individuelle
- a. **Rester systématiquement vigilant et faire preuve de jugement lorsqu'on utilise un outil électrique.** Ne pas utiliser d'outil électrique en cas de fatigue ou sous l'influence de drogues, d'alcool ou de médicaments. Tout moment d'inattention pendant l'utilisation d'un outil électrique comporte des risques de dommages corporels graves.
 - b. **Porter un équipement de protection individuel. Porter systématiquement un dispositif de protection oculaire.** Le fait de porter un masque anti-poussières, des chaussures antidérapantes, un casque de sécurité ou un dispositif de protection auditive, lorsque la situation le requiert, réduira les risques de dommages corporels.
 - c. **Prévenir tout démarrage accidentel. S'assurer que l'interrupteur est en position d'arrêt avant de brancher l'outil sur le secteur et/ou à la batterie, ou de le ramasser ou le transporter.** Transporter un outil le doit sur l'interrupteur ou brancher un outil électrique alors que l'interrupteur est en position de marche invite les accidents.
 - d. **Retirer toute clé de réglage avant de démarrer l'outil.** Une clé laissée sur une pièce rotative d'un outil électrique comporte des risques de dommages corporels.
 - e. **Adopter une position stable. Maintenir les pieds bien ancrés au sol et conserver son équilibre en permanence.** Cela permettra de mieux maîtriser l'outil électrique en cas de situations imprévues.
 - f. **Porter des vêtements appropriés. Ne porter aucun vêtement ample ou bijou.** Gardez vos cheveux et vos vêtements éloignés des pièces en mouvement, car ils pourraient s'y faire prendre.
 - g. **Lorsqu'un dispositif de connexion à un système de dépoussiérage ou d'élimination est fourni, s'assurer qu'il est branché et utilisé correctement.** L'utilisation de ces dispositifs peut réduire les risques engendrés par les poussières.
 - h. **Ne pensez pas être à ce point familiarisé avec l'outil après l'avoir utilisé à de nombreuses reprises, au point de ne plus rester vigilant et d'en oublier les**

consignes de sécurité. Toute action imprudente peut engendrer de graves blessures en une fraction de seconde.

4. Utilisation et Entretien des Outils Électriques

- a. **Ne pas forcer un outil électrique. Utiliser l'outil approprié au travail en cours.** L'outil approprié effectuera un meilleur travail, de façon plus sûre et à la vitesse pour laquelle il a été conçu.
 - b. **Ne pas utiliser un outil électrique dont l'interrupteur est défectueux.** Tout appareil dont l'interrupteur est défectueux est dangereux et doit être réparé.
 - c. **Débranchez la prise du secteur et/ou retirez le bloc-batterie, s'il est amovible, de l'outil électrique avant d'effectuer tout réglage, de changer un accessoire ou de ranger l'outil électrique.** Ces mesures de sécurité préventives réduisent le risque de démarrage accidentel de l'outil électrique.
 - d. **Après utilisation, ranger les outils électriques hors de portée des enfants et ne permettre à aucune personne non familière avec son fonctionnement (ou sa notice d'instructions) de l'utiliser.** Les outils peuvent être dangereux entre des mains inexpérimentées.
 - e. **Entretenez les outils électriques et leurs accessoires. Vérifier les pièces mobiles pour s'assurer qu'elles sont bien alignées et tournent librement, qu'elles sont en bon état et ne sont affectées d'aucune condition susceptible de nuire au bon fonctionnement de l'outil.** En cas de dommage, faire réparer l'outil électrique avant toute nouvelle utilisation. De nombreux accidents sont causés par des outils mal entretenus.
 - f. **Maintenir tout organe de coupe propre et bien affûté.** Les outils de coupe bien entretenus et affûtés sont moins susceptibles de se coincer et sont plus faciles à contrôler.
 - g. **Utiliser un outil électrique, ses accessoires, mèches, etc., conformément aux présentes directives et suivant la manière prévue pour ce type particulier d'outil électrique, en tenant compte des conditions de travail et de la tâche à effectuer.** L'utilisation d'un outil électrique à des fins autres que celles prévues est potentiellement dangereuse.
 - h. **Maintenez toutes les poignées et surfaces de préhension sèches, propres et exemptes d'huile et de graisse.** Des poignées et des surfaces de préhension glissantes ne permettent pas de manipuler et de contrôler l'outil correctement en cas de situations inattendues.
- ### 5. Utilisation et entretien des outils à batterie
- a. **Rechargez uniquement avec le chargeur spécifié par le fabricant.** Un chargeur adapté à un type de batterie peut créer un risque d'incendie lorsqu'il est utilisé avec une autre batterie.

- b. **N'utilisez les outils électriques qu'avec des batteries spécifiquement désignées.**L'utilisation de toute autre batterie peut créer un risque de blessure et d'incendie.
- c. **Lorsque la batterie n'est pas utilisée, tenez-la à l'écart d'autres objets métalliques, tels que des trombones, des pièces de monnaie, des clés, des clous, des vis ou d'autres petits objets métalliques, qui peuvent établir une connexion d'une borne à une autre.Un court-circuit entre les bornes de la batterie peut provoquer des brûlures ou un incendie.**
- d. **Dans des conditions abusives, du liquide peut être éjecté de la batterie ; éviter les contacts.**En cas de contact accidentel, rincer à l'eau.Si le liquide entre en contact avec les yeux, consultez également un médecin. Le liquide éjecté de la batterie peut provoquer des irritations ou des brûlures.
- e. **N'utilisez pas une batterie ou un outil endommagé ou modifié.**Les batteries endommagées ou modifiées peuvent présenter un comportement imprévisible entraînant un incendie, une explosion ou un risque de blessure.
- F. **N'exposez pas une batterie ou un outil au feu ou à une température excessive.**L'exposition au feu ou à une température supérieure à 130 °C peut provoquer une explosion.
- g. **Suivez toutes les instructions de charge et ne chargez pas la batterie ou l'outil en dehors de la plage de température spécifiée dans les instructions.**Une charge incorrecte ou à des températures en dehors de la plage spécifiée peut endommager la batterie et augmenter le risque d'incendie.

6. Réparation

- a. **Faire entretenir les outils électriques par un réparateur qualifié en n'utilisant que des pièces de rechange identiques.**Cela permettra de préserver l'intégrité de l'outil électrique et la sécurité de l'utilisateur.
- b. **Ne réparez jamais un bloc-BATTERIE endommagé.**Les réparations sur les blocs-BATTERIES ne doivent être effectuées que le fabricant ou l'un de ses prestataires de services agréés.

Avertissement de sécurité supplémentaires propres aux outils électriques

- ◆ **Utilisez les poignées auxiliaires fournies avec l'outil.** La perte de contrôle peut provoquer des blessures.
- ◆ **Tenez l'outil par ses surfaces de préhension isolées lorsque vous travaillez dans des zones où l'organe de coupe peut entrer en contact avec des fils électriques cachés.**
Tout contact de l'accessoire de coupe avec un fil sous tension peut mettre les parties métalliques exposées de

l'outil sous tension et provoquer une décharge électrique à l'utilisateur.

- ◆ **Tenez l'outil électrique par ses surfaces de préhension isolées pendant les opérations au cours desquelles la fixation peut entrer en contact avec des fils électriques cachés ou son propre cordon.**Tout contact d'une fixation avec un fil sous tension peut mettre les parties métalliques exposées de l'outil sous tension et provoquer une décharge électrique à l'utilisateur.
- ◆ **Utilisez des pinces ou tout autre moyen pratique pour fixer et soutenir l'ouvrage sur une plateforme stable.** Tenir l'ouvrage à la main ou contre votre corps le rend instable et peut conduire à une perte de contrôle.
- ◆ **Avant de percer des murs, des planchers ou des plafonds, vérifiez l'emplacement des fils électriques et des canalisations.**
- ◆ **Évitez de toucher le bout d'un foret juste après avoir percé.**Il peut être chaud.
- ◆ **L'usage prévu est décrit dans ce manuel d'utilisation.**L'utilisation d'un accessoire ou d'un équipement non spécifié ou l'utilisation de cet outil à d'autres fins que celles recommandées dans ce manuel d'utilisation présentent un risque de blessures et/ou de dommages matériels.

Sécurité des autres

- ◆ Ne laissez jamais des enfants, des personnes aux capacités physiques, sensorielles ou mentales réduites ou manquant d'expérience et de connaissances ou des personnes non familiarisées avec ces instructions utiliser la machine,
- ◆ les réglementations locales peuvent limiter l'âge de l'opérateur.
- ◆ N'utilisez jamais la machine lorsque des personnes, en particulier des enfants, ou des animaux domestiques se trouvent à proximité.

Consignes de sécurité supplémentaires pour les cloueuses sans fil

- ◆ **Portez toujours des lunettes de sécurité.**
- ◆ **Portez toujours une protection auditive.**
- ◆ **Utilisez uniquement des fixations du type spécifié dans le manuel.**
- ◆ **N'utilisez pas de supports pour monter l'outil sur un Support.**
- ◆ **Ne démontez ni ne bloquez aucune pièce de l'outil de pose de fixations, comme le déclencheur par contact.**
- ◆ **Avant chaque opération, vérifiez que la sécurité et mécanisme de déclenchement fonctionne correctement et que tous les écrous et boulons sont bien serrés.**
- ◆ **N'utilisez pas l'outil comme un marteau.**
- ◆ **Ne pas utiliser l'outil sur une échelle.**

- ◆ **Ne dirigez jamais un outil de pose de fixations opérationnel vers vous-même ou vers une autre personne.**
- ◆ **Pendant le travail, tenez l'outil de manière à éviter toute blessure à la tête ou au corps en cas de recul éventuel dû à une interruption de l'alimentation en énergie ou à des zones dures à l'intérieur de la pièce à usiner.**
- ◆ **N'actionnez jamais l'outil de pose de clous dans l'espace libre.**
- ◆ **Dans la zone de travail, transporter l'outil sur le lieu de travail avec une seule poignée et jamais avec la gâchette actionnée.**
- ◆ **Tenez compte des conditions dans la zone de travail. Les fixations peuvent pénétrer dans les pièces fines ou glisser des coins et des bords de la pièce et ainsi mettre les personnes en danger.**
- ◆ **N'enfoncez pas les fixations près du bord de la pièce à usiner.**
- ◆ **Ne pas enfoncer de fixations sur d'autres fixations.**
- ◆ **Considérez toujours que l'outil contient des attaches.**
Une manipulation négligente de la cloueuse peut entraîner un déclenchement inattendu des fixations et des blessures.
- ◆ **Ne dirigez pas l'outil vers vous-même ou vers une personne à proximité.** Un déclenchement inattendu déchargera la fixation et causera des blessures.
- ◆ **N'actionnez pas l'outil s'il n'est pas placé fermement contre la pièce.** Si l'outil n'est pas en contact, la fixation peut être déviée de votre cible.
- ◆ **Débranchez l'outil de la source d'alimentation lorsque la fixation se coince dans l'outil.** Lors du retrait d'une fixation coincée, la cloueuse peut être accidentellement activée si elle est branchée.
- ◆ **Ne pas utiliser cet outil pour fixer des câbles électriques.** Il n'est pas conçu pour l'installation de câbles électriques et peut endommager l'isolation des câbles électriques, provoquant ainsi des risques d'électrocution ou d'incendie.

Risques résiduels

Certains risques résiduels autres que ceux mentionnés dans les avertissements sur la sécurité peuvent survenir en utilisant l'outil. Ces risques peuvent être dus à une utilisation incorrecte, une utilisation prolongée, etc.

Malgré le respect de toutes les réglementations pertinentes sur la sécurité et la mise en œuvre de dispositifs de sécurité, certains risques résiduels ne peuvent pas être évités. Ils comprennent :

- ◆ Les blessures dues au contact avec des pièces mobiles/ en rotation.

- ◆ Les blessures dues au changement de pièces, de lames ou d'accessoires.
- ◆ Les blessures dues à l'utilisation prolongée d'un outil. Lorsque vous utilisez un outil quel qu'il soit pendant de longues périodes, veillez à faire des pauses régulières.
- ◆ Les troubles de l'ouïe.
- ◆ Les risques pour la santé dus à l'inhalation des poussières émises pendant l'utilisation de l'outil (exemple : travail avec du bois, surtout le chêne, le hêtre et les panneaux en MDF).

Bruit et vibration

Les valeurs déclarées d'émission de bruit et de vibrations indiquées dans les données techniques et la déclaration de conformité ont été mesurées conformément à une méthode d'essai standard fournie par EN60745 et peuvent être utilisées pour comparer un outil avec un autre. La valeur d'émission sonore et vibratoire déclarée peut également être utilisée dans une évaluation préliminaire de l'exposition.

Avertissement! La valeur d'émission de bruit et de vibrations lors de l'utilisation réelle de l'outil électrique peut différer de la valeur déclarée en fonction de la manière dont l'outil est utilisé. Le niveau de bruit et de vibration peut augmenter au-delà du niveau indiqué.

Lors de l'évaluation de l'exposition au bruit et aux vibrations pour déterminer les mesures de sécurité requises par la directive 2002/44/CE pour protéger les personnes utilisant régulièrement des outils électriques dans le cadre de leur travail, une estimation de l'exposition au bruit et aux vibrations doit prendre en compte les conditions réelles d'utilisation et la manière dont l'outil est utilisé, y compris la prise en compte de toutes les parties du cycle de fonctionnement telles que les moments où l'outil est éteint et quand il fonctionne à vide en plus du temps de déclenchement.

Étiquettes sur l'outil

Les symboles suivants sont affichés sur l'outil avec le code de date :



Avertissement! Pour réduire le risque de blessure, l'utilisateur doit lire le manuel d'instructions.



Avertissement! Pour réduire le risque de blessure, l'utilisateur doit porter des protections auditives et oculaires.



Attention : Ne regardez pas la lampe opératoire.



Pour éclairer la surface de travail immédiate ainsi qu'un indicateur de batterie faible et un indicateur de clou coincé.



Gardez les mains et les parties du corps éloignées zone de travail immédiate.

Consignes de sécurité supplémentaires pour les batteries et les chargeurs

Batteries

- ◆ N'essayez jamais d'ouvrir pour quelque raison que ce soit.
- ◆ N'exposez pas la batterie à l'eau.
- ◆ Ne pas stocker dans des endroits où la température peut dépasser 40 °C.
- ◆ Chargez uniquement à des températures ambiantes comprises entre 10 °C et 40 °C.
- ◆ Lors de la mise au rebut des piles, suivez les instructions données dans la section « Protection de l'environnement ».
- ◆ N'endommagez/déformez pas la batterie par perforation ou impact, car cela pourrait créer un risque de blessure et d'incendie.
- ◆ Ne chargez pas des batteries endommagées.
- ◆ Dans des conditions extrêmes, une fuite de la batterie peut se produire. Lorsque vous remarquez du liquide sur les piles essuyez soigneusement le liquide à l'aide d'un chiffon. Éviter le contact avec la peau.
- ◆ En cas de contact avec la peau ou les yeux, suivez les instructions ci-dessous.

Avertissement! Le liquide de la batterie peut causer des blessures ou des dommages matériels. En cas de contact avec la peau, rincer immédiatement à l'eau. En cas de rougeur, de douleur ou d'irritation, consulter un médecin. En cas de contact avec les yeux, rincer immédiatement à l'eau claire et consulter un médecin.



N'essayez pas de charger des batteries endommagées

Chargeurs

- ◆ Utilisez votre chargeur STANLEY FATMAX uniquement pour recharger batterie dans l'outil avec lequel elle a été fournie. Autre les piles pourraient exploser, causant des blessures et des dommages.
- ◆ N'essayez jamais de recharger des piles non rechargeables.
- ◆ Faites immédiatement remplacer les cordons défectueux.
- ◆ N'exposez pas le chargeur à l'eau.
- ◆ N'ouvrez pas le chargeur.
- ◆ Ne sondez pas le chargeur.

Symboles sur le chargeur



Le chargeur est destiné à une utilisation en intérieur uniquement.



Lire le mode d'emploi avant utilisation.

Sécurité électrique



Votre adaptateur est à double isolation ; aucun fil de terre n'est donc nécessaire. Vérifiez toujours que la tension secteur correspond à la tension indiquée sur la plaque signalétique. N'essayez jamais de remplacer l'adaptateur par une prise secteur normale.

Caractéristiques

Cet appareil comprend certaines ou toutes les caractéristiques suivantes.

1. Commutateur de déclenchement
2. Interrupteur de verrouillage de la gâchette
3. Molette de réglage de la profondeur
4. Indicateur de réglage de la profondeur
5. Lampes de travail/indicateur de batterie faible/bourrage/calage
6. Levier de décrochage
7. Loquet de dégagement de bourrage
8. Voyage de contact
9. Revue
10. Loquet du poussoir
11. Emplacement de fixation des accessoires
12. Batterie

Utiliser

Avertissement! Laissez l'outil travailler à son rythme. Ne pas surcharger.

Chargement de la batterie (Fig. A)

La batterie doit être chargée avant la première utilisation et chaque fois qu'elle ne produit pas suffisamment d'énergie pour des travaux qui étaient facilement effectués auparavant. La batterie peut devenir chaude pendant la charge ; ceci est normal et n'indique pas un problème.

Avertissement! Ne chargez pas la batterie à des températures ambiantes inférieures à 10 °C ou supérieures à 40 °C. Température de charge recommandée : env. 24 °C.







Remarque : Le chargeur ne chargera pas une batterie si la température de la cellule est inférieure à 10 °C environ ou supérieure à 40 °C.

La batterie doit être laissée dans le chargeur et le chargeur commencera à se charger automatiquement lorsque la température de la cellule se réchauffera ou se refroidira.

Remarque : Pour garantir des performances et une durée de vie maximales des batteries lithium-ion, chargez complètement la batterie avant la première utilisation.

- ◆ Branchez le chargeur (13) dans une prise appropriée avant d'insérer la batterie (12).
- ◆ Le voyant de charge vert (13a) clignotera en continu indiquant que le processus de charge a commencé.
- ◆ La fin de la charge sera indiquée par le voyant de charge vert (13a) allumé en continu. La batterie (12) est complètement chargée et peut être retirée et utilisée à ce moment ou laissée dans le chargeur (13).
- ◆ Rechargez les batteries déchargées dans un délai d'une semaine. La durée de vie de la batterie sera considérablement réduite si elle est stockée dans un état déchargé.

Modes DEL du chargeur

	Mise en charge: DEL verte intermittente	
	Complètement chargé: LED verte Fixe	
	Délai chaud/froid : DEL verte intermittente LED rouge fixe	

Remarque : Le ou les chargeurs compatibles ne chargeront pas une batterie défectueuse. Le chargeur indiquera une batterie défectueuse en refusant de s'allumer.

Remarque : cela peut également signifier un problème avec un chargeur. Si le chargeur indique un problème, faites tester le chargeur et la batterie dans un centre de service agréé.

Laisser la batterie dans le chargeur

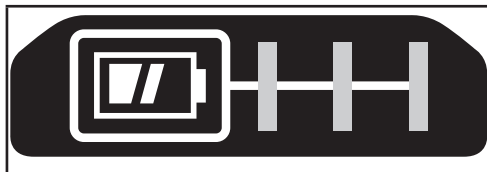
Le chargeur et la batterie peuvent être laissés connectés avec la LED allumée indéfiniment. Le chargeur gardera la batterie fraîche et complètement chargée.

Délai de pack chaud/froid

Lorsque le chargeur détecte une batterie trop chaude ou trop froide, il démarre automatiquement un délai de pack chaud/froid, la LED verte (13a) clignote par intermittence, tandis que la LED rouge (13b) reste allumée en continu, suspendant la charge jusqu'à ce que la batterie a atteint une température appropriée. Le chargeur alors passe automatiquement en mode de charge du pack. Cette fonctionnalité garantit une durée de vie maximale de la batterie.

Indicateur d'état de charge de la batterie (Fig. B)

La batterie comprend un indicateur d'état de charge pour déterminer rapidement l'étendue de la durée de vie de la batterie, comme illustré à la figure B. En appuyant sur le bouton d'état de charge (12a), vous pouvez facilement visualiser la charge restante dans la batterie, comme illustré à la figure B.



Installation et retrait de la batterie de l'outil

Avertissement! Assurez-vous que le bouton de verrouillage est engagé pour empêcher l'actionnement de l'interrupteur avant de retirer ou d'installer la batterie.

Pour installer la batterie (Fig. C)

- ◆ Insérez fermement le bloc-piles dans l'outil jusqu'à ce qu'un déclic se fasse entendre, comme illustré à la figure C. Assurez-vous que le bloc-piles est bien en place et bien verrouillé en position.

Pour retirer la batterie (Fig. D)

- ◆ Appuyez sur le bouton de déverrouillage de la batterie (12b) comme indiqué sur la figure D et retirez la batterie de l'outil.

Crochet de suspension (Fig. E, F)

Avertissement! Retirez les clous du magasin avant de faire tout réglages ou l'entretien de cet outil. Ne pas le faire peut entraîner en blessure grave.

Avertissement! Pour réduire le risque de blessures graves, placez le bouton de marche avant/arrière en position de verrouillage ou éteignez l'outil et débranchez la batterie avant de faire tout ajustement ou retrait/installation d'accessoires ou accessoires. Un démarrage accidentel peut entraîner des blessures.

Avertissement! Pour réduire le risque de blessures graves, assurez-vous la vis (15) maintenant le crochet de suspension est bien fixée.

Attention : Lorsqu'il n'est pas utilisé, placez l'outil sur le côté sur une surface stable. Surface où il ne causera pas de risque de trébuchement ou de chute. Certains outils avec de grandes batteries se tiennent debout sur le bloc-piles, mais peut être facilement renversé.

Remarque : Lors de la fixation ou du remplacement du crochet de suspension (14), utilisez seule la vis (15) qui est fournie. Assurez-vous de bien serrer la vis.

Si le crochet n'est pas du tout souhaité, il peut être retiré de l'outil. Pour déplacer le crochet de suspension, retirer la vis (15) qui maintient le accrocher le crochet (14) en place.

Note: Various trackwall hooks and storage configurations are available. Please visit our website www.stanley.eu/3 for further information.

Opération

Avertissement! Lisez la section intitulée Avertissements de sécurité pour cloueuse au début de ce manuel. Portez toujours les yeux et les oreilles protection lors de l'utilisation de cet outil. Gardez la cloueuse pointée loin de vous et des autres. Pour un fonctionnement en toute sécurité, effectuez les procédures et vérifications suivantes avant chaque utilisation de la cloueuse.

Avertissement! Pour réduire le risque de blessure, débranchez le bloc-piles de l'outil et engagez le verrouillage de la gâchette avant d'effectuer l'entretien, de dégager un clou coincé, de quitter la zone de travail, de déplacer l'outil à un autre endroit ou de remettre l'outil à une autre personne.

Avertissement! Gardez les doigts ÉLOIGNÉS de la gâchette lorsque vous n'enfonchez pas les attaches pour éviter un déclenchement accidentel. Ne transportez jamais l'outil avec le doigt sur la gâchette.

- ◆ Porter une protection oculaire, auditive et respiratoire appropriée.
- ◆ Retirez la batterie de l'outil et engagez le verrouillage de la gâchette.
- ◆ Verrouillez le poussoir en position arrière et retirez toutes les bandes de clous du magasin.
- ◆ Vérifier le bon fonctionnement des ensembles de déclenchement par contact et de poussoir. N'utilisez pas l'outil si l'un ou l'autre des ensembles ne fonctionne pas correctement.
- ◆ N'utilisez jamais un outil dont les pièces sont endommagées.

Avertissement! Faites fonctionner l'outil avec des fixations à un rythme ne dépassant pas 30 fois/min.

Pour faire fonctionner la cloueuse

Avertissement! Le déclencheur de contact doit être enfoncé, suivi d'une pression complète sur la gâchette pour chaque clou, suivie d'un relâchement du déclencheur de contact et de la gâchette après chaque clou.

Avertissement! La batterie doit toujours être retirée et le verrouillage de la gâchette engagé chaque fois que des réglages sont effectués ou lorsque l'outil n'est pas utilisé.

- ◆ Appuyez complètement sur le déclencheur de contact contre la surface de travail.
- ◆ Appuyez à fond sur la gâchette et le moteur démarrera. (le clou s'enfoncera dans la surface de travail).
- ◆ Relâchez la gâchette.

- ◆ Soulevez le déclencheur de contact de la surface de travail.
- ◆ Répétez les 4 étapes ci-dessus pour la prochaine application.

Préparation de l'outil

Avertissement! NE JAMAIS pulvériser ou appliquer de toute autre manière de l'huile, des lubrifiants ou des solvants de nettoyage à l'intérieur de l'outil. Cela peut sérieusement affecter la durée de vie et les performances de l'outil.

Avertissement! La batterie doit toujours être retirée et le verrouillage de la gâchette engagé chaque fois que des réglages sont effectués ou lorsque l'outil n'est pas utilisé.

- ◆ Lisez la section Consignes de sécurité de ce manuel.
- ◆ Portez des protections oculaires et auditives.
- ◆ Retirez la batterie de l'outil et chargez-la complètement.
- ◆ Assurez-vous que le magasin est vide de toutes les attaches.
- ◆ Vérifier le bon fonctionnement des ensembles de déclenchement par contact et de poussoir. N'utilisez pas l'outil si l'un ou l'autre des ensembles ne fonctionne pas correctement.
- ◆ Gardez l'outil pointé loin de vous et des autres.
- ◆ Insérez une batterie entièrement chargée.

Position correcte des mains (Fig. G)

Avertissement! Pour réduire le risque de blessures graves, utilisez TOUJOURS la bonne position des mains, comme indiqué sur la figure G.

Avertissement! Pour réduire le risque de blessures graves, Tenez TOUJOURS solidement en prévision d'une réaction soudaine.

Une bonne position des mains nécessite une main sur la poignée principale.

Réglage de la profondeur (Fig. H)

La profondeur d'enfoncement de la fixation peut être ajustée à l'aide de la molette de réglage de profondeur (3) située sur le côté de l'outil.

Avertissement! Pour réduire les risques de blessures graves dues à un actionnement accidentel lors d'une tentative de réglage de la profondeur, toujours :

- ◆ Remove battery pack.
- ◆ Engage trigger lock-off.
- ◆ Avoid contact with trigger during adjustments.

Les réglages de profondeur sont sur une échelle mobile (4). Le côté gauche indiquant le plus profond et le côté droit indiquant le moins profond.

- ◆ Pour enfoncer un clou plus profondément, tournez la molette de réglage de la profondeur (3) vers le bas. Cela fera glisser l'indicateur de réglage de la profondeur (4) vers la gauche sur l'échelle.

- ◆ Pour enfoncer un clou moins profondément, tournez la molette de réglage de la profondeur (3) vers le haut. Cela fera glisser l'indicateur de réglage de la profondeur (4) vers la droite sur l'échelle.

Chargement et déchargement de l'outil (Fig. I, J)

Avertissement! Gardez l'outil pointé loin de vous et des autres. Des blessures graves peuvent en résulter.

Avertissement! Ne chargez jamais de clous avec le déclencheur de contact ou la gâchette activés.

Avertissement! Retirez toujours la batterie avant de charger ou de décharger les clous.

Avertissement! La batterie doit toujours être retirée et le verrouillage de la gâchette engagé chaque fois que des réglages sont effectués ou lorsque l'outil n'est pas utilisé.

Chargement de l'outil

- ◆ Appuyez sur le loquet du poussoir (10) et tirez le chargeur vers le bas.
- ◆ Insérez les attaches dans le côté du magasin. Assurez-vous que les pointes de fixation sont placées vers l'avant du magasin, sous le guide-clou (16) dans le canal de clouage.
- ◆ Poussez le magasin fermé jusqu'à ce qu'il s'enclenche.

Avertissement! Gardez les doigts éloignés du poussoir pour éviter les blessures.

Déchargement de l'outil

Avertissement! La batterie doit toujours être retirée et le verrouillage de la gâchette engagé chaque fois que des réglages sont effectués ou lorsque l'outil n'est pas utilisé.

- ◆ Appuyez sur le loquet du pousse-clou et tirez le chargeur vers le bas.
- ◆ Basculez l'outil vers le haut jusqu'à ce que les clous glissent librement magazine.
- ◆ Ouvrez la porte d'élimination des bourrages (7) sur le nez pour vérifier qu'il ne reste plus de clous.

Phares de travail (Fig. K)

Il y a des phares de travail (5) situés de chaque côté de la cloueuse. Les phares de travail s'allument lorsque vous appuyez sur le déclencheur de contact.

Remarque : Ces lampes de travail sont destinées à éclairer la surface de travail immédiate et ne sont pas destinées à être utilisées comme lampes de poche.



Indicateur de batterie faible :

La lampe de travail gauche clignotera quatre fois de suite puis s'éteindra pour indiquer que la batterie est faible.



Indicateur de clou coincé :

La lampe de travail de droite clignotera continuellement si un clou se coince dans le nez (voir Dégagement d'un clou coincé).

Décrochage (Fig. L)

Avertissement! Si un décrochage se produit, l'outil se désactivera et vous demandera de le réinitialiser. Pour ce faire, suivez les instructions sur la suppression d'une condition de blocage. Retirez ensuite la batterie, puis réinsérez la batterie. L'outil sera désormais opérationnel.

Si la cloueuse est utilisée dans une application rigoureuse où toute l'énergie disponible dans le moteur est utilisée pour entraîner une fixation, l'outil peut caler. La lame d'entraînement n'a pas terminé le cycle de conduite et l'indicateur de blocage/blocage clignote. Tournez le levier de décrochage (6) sur l'outil et le mécanisme se déverrouillera comme illustré à la figure L.

Note! L'outil se désactivera et ne se réinitialisera pas tant que la batterie n'aura pas été retirée et réinsérée. Si l'unité continue de caler, veuillez revoir le matériau et la longueur de la fixation pour vous assurer qu'il ne s'agit pas d'une application trop rigoureuse. Si le conducteur lame ne revient pas automatiquement à la position initiale après avoir tourné le levier de décrochage, passez au « déchargement d'un clou coincé ».

Dégagement d'un clou coincé (Fig. M, N)

Avertissement! Pour réduire le risque de blessures corporelles, débranchez le bloc-piles de l'outil et engagez le verrouillage de la gâchette avant d'effectuer l'entretien ou de dégager un clou coincé.

Si un clou se coince dans l'embout nasal, gardez l'outil pointé loin de vous et suivez ces instructions pour dégager :

- ◆ Retirez la batterie de l'outil et engagez le verrouillage de la gâchette.
- ◆ Retirez tous les clous chargés. Reportez-vous à Chargement et déchargement de l'outil.
- ◆ Soulevez le loquet de dégagement de bourrage 7 puis tirez vers le haut pour ouvrir la porte avant 17.
- ◆ Retirez le clou tordu, à l'aide d'une pince si nécessaire.
- ◆ Si la lame du pilote est en position basse, actionnez le levier de déverrouillage 6 en exerçant une force suffisante.

pour la faire glisser complètement jusqu'à l'autre extrémité de la fente dans les boîtiers.

- ◆ Fermez la porte avant et engagez la goupille de verrouillage sous les deux bras 18 sur le nez. Poussez le loquet jusqu'à ce qu'il se verrouille en place.
- ◆ Réinsérez la batterie.

Attention ! Si un bourrage se produit, l'outil se désactivera et vous demandera de le réinitialiser. Pour ce faire, suivez les instructions pour dégager le clou coincé. Retirez ensuite la batterie, puis réinsérez la batterie. L'outil sera désormais opérationnel.

Remarque ! Si les clous continuent de se coincer fréquemment lors du déclenchement par contact, faites réparer l'outil par un centre de service agréé STANLEY FATMAX.

Fonctionnement par temps froid

Lors de l'utilisation d'outils à des températures sous le point de congélation :

- ◆ Gardez l'outil aussi chaud que possible avant de l'utiliser.
- ◆ Actionnez l'outil 5 ou 6 fois dans le bois de rebut avant de l'utiliser.

Fonctionnement par temps chaud

L'outil devrait fonctionner normalement. Cependant, gardez l'outil à l'abri de la lumière directe du soleil car une chaleur excessive peut détériorer les pare-chocs et autres pièces en caoutchouc, ce qui nécessite un entretien accru.

Pointe No-mar (Fig. O)

L'outil est équipé d'une pointe No-mar (19) située sur le côté du chargeur de clous.

Pour remplacer le tampon No-mar, retirez simplement l'ancien tampon anti-marques et remettez le nouveau tampon No-mar sur le déclencheur de contact (8).

Pièces de rechange

Avertissement ! Pour réduire le risque de blessures corporelles, débranchez le bloc-piles de l'outil et engagez le verrouillage de la gâchette avant d'effectuer l'entretien ou de dégager un clou coincé.

L'outil est équipé d'une pointe de rechange sans marque située sur le côté du magasin de clous.

Utilisez uniquement des pièces de rechange identiques. Pour obtenir une liste de pièces ou pour commander des pièces, visitez notre site Web de service à l'adresse www.stanley.eu/3co.uk. Vous pouvez également commander des pièces auprès de votre Centre de service d'usine STANLEY FATMAX ou garantie autorisée STANLEY FATMAX.

Accessoires

Avertissement! Étant donné que les accessoires autres que ceux proposés par STANLEY FATMAX n'ont pas été testés avec ce produit, leur utilisation avec cet outil peut être dangereuse.

Pour réduire le risque de blessure, seuls les accessoires recommandés par STANLEY FATMAX doivent être utilisés avec ce produit.

Les accessoires recommandés pour une utilisation avec votre outil sont disponibles moyennant des frais supplémentaires auprès de votre revendeur local ou agréé centre de services.

Dépannage

Si votre appareil semble ne pas fonctionner correctement, suivez les instructions suivantes.

Si cela ne résout pas le problème, veuillez contacter votre agent de réparation local STANLEY FATMAX.

Avertissement! Avant de continuer, débranchez l'appareil.

Problème	Cause possible	Solution possible
L'unité ne démarre pas.	La batterie n'est pas installée correctement.	Vérifiez l'installation de la batterie.
	Batterie non chargée.	Vérifiez les exigences de charge de la batterie.
	Le verrouillage de la gâchette est engagé.	Désengagez le verrouillage de la gâchette.
L'outil ne actionne. (phares allumés, le moteur ne tourne pas)	Le moteur s'arrête après 2 secondes.	Fonctionnement normal; relâcher la gâchette ou déclencher le contact et appuyer de nouveau.
L'outil ne s'actionne pas. (Les phares clignotent)	Charge de batterie faible ou batterie endommagée.	Charger ou remplacer la batterie.
L'outil ne s'actionne pas. (Les phares clignotent en continu)	Fixation coincée / outil bloqué.	Retirez la batterie, tournez le levier de décrochage. Retirez la fixation coincée et réinsérez la batterie.
	Mécanisme bloqué	Voir le centre de service autorisé.
L'outil ne s'actionne pas. (phares allumés, moteur tourne, lame de conducteur coincée)		Voir le centre de service autorisé.
L'outil fonctionne, mais ne ne pas enfoncer complètement la fixation.	Charge de batterie faible ou batterie endommagée.	Charger ou remplacer la batterie.
	Le réglage de la profondeur est trop faible.	Tournez la molette de réglage de la profondeur pour un cadre plus profond.
	L'outil n'est pas fermement appliqué sur la pièce.	Lire le manuel d'instructions.
	Matériau et longueur de fixation trop rigoureux pour une application.	Choisissez le matériau ou la longueur de fixation appropriée.

Entretien

Votre appareil/outil avec/sans fil STANLEY FATMAX a été conçu pour fonctionner pendant une longue période avec un minimum d'entretien.

Un fonctionnement satisfaisant continu dépend de l'entretien approprié des outils/appareils et d'un nettoyage régulier.

Avertissement! Éteignez et débranchez l'appareil avant d'effectuer tout nettoyage.

- ◆ La saleté et la graisse peuvent être enlevées de l'extérieur de l'appareil à l'aide d'un chiffon.

Avertissement! N'utilisez JAMAIS de solvants ou d'autres produits chimiques agressifs pour nettoyer les parties non métalliques de l'appareil. Ces produits chimiques peuvent affaiblir les matériaux utilisés dans ces pièces. Utilisez un chiffon imbibé uniquement d'eau et de savon doux. Ne jamais laisser de liquide pénétrer à l'intérieur de l'appareil ; n'immergez jamais aucune partie de l'appareil dans un liquide.

Avertissement! NE JAMAIS pulvériser ou appliquer de toute autre manière des lubrifiants ou des solvants de nettoyage à l'intérieur de l'outil. Cela peut sérieusement affecter la durée de vie et les performances de l'outil.

Notes d'entretien

Ce produit n'est pas réparable par l'utilisateur. Il n'y a aucune pièce réparable par l'utilisateur à l'intérieur de la cloueuse. L'entretien dans un centre de service agréé est nécessaire pour éviter d'endommager les composants internes sensibles à l'électricité statique.

La protection de l'environnement



Collecte séparée. Les produits et batteries marqués de ce symbole ne doivent pas être jetés avec les ordures ménagères normales.

Les produits et les batteries contiennent des matériaux qui peuvent être récupérés ou recyclés, ce qui réduit la demande de matières premières.

Veuillez recycler les produits électriques et les batteries conformément aux dispositions locales. De plus amples informations sont disponibles sur www.2helpU.com

Données techniques

		SFMCN618 Type:1
Tension	V_{DC}	18
Type de batterie		Li-Ion
Mode d'actionnement		Sequential

		SFMCN618 Type:1
Angle de magasin		Straight
Pas de vitesse de chargement	/min	9000
Conduire l'énergie	approx	50J
Poids (outil seul)	kg	2,43

Attaches			
Longueur	mm		16 - 50
Diamètre de la tige	mm		1,27
Angle			Droit

Cet outil est une unité nue mais peut être utilisé avec les chargeurs du tableau suivant.

Chargeur		SFMCB10	SFMCB11	SFMCB12	SFMCB14
Tension d'entrée	V_{AC}	230	230	230	230
Tension de sortie	V_{DC}	18	18	18	18
Current	A	1,25	1,25	2	4

Cet outil est une unité nue mais peut être utilisé avec les batteries du tableau suivant.

Batterie		SFMCB201	SFMCB202	SFMCB204	SFMCB206
Tension	V_{DC}	18	18	18	18
Capacité	Ah	1,5	2,0	4,0	6,0
Type		Li-Ion	Li-Ion	Li-Ion	Li-Ion

Niveau de pression acoustique selon EN60745 :

Pression sonore (L_{pA}) 84 dB(A), incertitude (K) 3 dB(A)

Puissance sonore (L_{WA}) 95 dB(A), incertitude (K) 3 dB(A)

Valeurs totales des vibrations (somme vectorielle triax) selon EN60745 :

Clous de base (a_{hV}) 2,8 m/s^2 , incertitude (K) 1,8 m/s^2

EC declaration of conformity

MACHINERY DIRECTIVE



SFMCN618 - Cordless Nailer

STANLEY FATMAX déclare que ces produits décrits sous 2006/42/EC;

EN 60745-1:2009 + A11:2010; EN 60745-2-16:2010.

Ces produits sont également conformes aux directives 2014/30/UE et 2011/65/UE. Pour plus d'informations, veuillez contacter STANLEY FATMAX à l'adresse suivante ou reportez-vous au dos du manuel.

Pour plus d'informations, veuillez contacter STANLEY FATMAX à l'adresse suivante ou reportez-vous au dos du manuel.

Le soussigné est responsable de la constitution du dossier technique et fait cette déclaration au nom de
STANLEY FAT MAX.

Patrick Diepenbach

Patrick Diepenbach
General Manager, Benelux
STANLEY FATMAX,
Egide Walschaertsstraat 14-18
2800 Mechelen, Belgique
30/05/2023

Garantie

STANLEY FATMAX est convaincu de la qualité de ses produits et offre aux consommateurs une garantie de 12 mois à compter de la date d'achat.

Cette garantie s'ajoute et ne porte en aucun cas préjudice à vos droits statutaires. La garantie est valable sur les territoires des États membres de l'Union européenne et de la zone européenne de libre-échange et du Royaume-Uni.

Pour bénéficier de la garantie, la réclamation doit être conforme aux conditions générales de STANLEY FATMAX et vous devrez soumettre une preuve d'achat au vendeur ou à un agent de réparation agréé.

Les termes et conditions de la garantie STANLEY FATMAX de 1 an et l'emplacement de votre agent de réparation agréé le plus proche peuvent être obtenus sur Internet à l'adresse www.2helpU.com, ou en contactant votre bureau local STANLEY FATMAX à l'adresse indiquée dans ce manuel. Veuillez visiter notre site Web www.stanley.eu/3 pour vous inscrire votre nouveau produit STANLEY FATMAX et recevez des mises à jour sur les nouveaux produits et les offres spéciales.

Uso previsto

La chiodatrice a batteria STANLEY FATMAX SFMCN618 è stata progettata per la chiodatura. Questo apparecchio è destinato a utenti professionali e privati, non professionali.

Istruzioni di sicurezza

Avvertenze generali sulla sicurezza degli utensili elettrici



Avvertimento! Leggi tutti gli avvisi di sicurezza, istruzioni, illustrazioni e specifiche fornite con questo utensile elettrico. La mancata osservanza delle avvertenze e delle istruzioni elencate di seguito può causare scosse elettriche, incendi e/o lesioni gravi.

Conservare tutte le avvertenze e le istruzioni per riferimenti futuri.

Il termine "utensile elettrico" in tutte le avvertenze elencate di seguito si riferisce all'utensile elettrico alimentato dalla rete (con cavo) o all'utensile elettrico alimentato a batteria (senza cavo).

1. Sicurezza dell'area di lavoro

- Mantenere l'area di lavoro pulita e ben illuminata.** Le aree disordinate o buie invitano agli incidenti.
- Non utilizzare utensili elettrici in atmosfere esplosive, come in presenza di liquidi infiammabili, gas o polvere.** Gli utensili elettrici creano scintille che possono incendiare la polvere o i fumi.
- Tenere lontani i bambini e gli astanti durante l'utilizzo di un utensile elettrico.** Le distrazioni possono farti perdere il controllo.

2. Sicurezza elettrica

- Le spine degli utensili elettrici devono corrispondere alla presa.** Non modificare mai la spina in alcun modo. Non utilizzare spine adattatrici con utensili elettrici con messa a terra. Spine non modificate e prese corrispondenti ridurranno il rischio di scosse elettriche.
- Evitare il contatto del corpo con superfici collegate a terra come tubi, radiatori, fornelli e frigoriferi.** C'è un rischio maggiore di scosse elettriche se il tuo corpo è collegato a terra o messo a terra.
- Non esporre gli utensili elettrici alla pioggia o all'umidità.** L'ingresso di acqua in un utensile elettrico aumenta il rischio di scosse elettriche.
- Non abusare del cavo. Non utilizzare mai il cavo per trasportare, tirare o scollegare l'utensile elettrico.** Tenere il cavo lontano da fonti di calore, olio, spigoli vivi o parti in movimento. Cavi danneggiati o aggrovigliati aumentano il rischio di scosse elettriche.

- e. **Quando si utilizza un utensile elettrico all'aperto, utilizzare una prolunga adatta per l'uso all'aperto.**L'uso di un cavo adatto all'uso all'aperto riduce il rischio di scosse elettriche.
- f. **Se è inevitabile utilizzare un utensile elettrico in un luogo umido, utilizzare un'alimentazione protetta da un dispositivo a corrente residua (RCD).**L'uso di un RCD riduce il rischio di scosse elettriche.
- 3. Sicurezza personale**
- a. **Rimani vigile, guarda cosa stai facendo e usa il buon senso quando utilizzi un utensile elettrico.**
Non utilizzare un utensile elettrico quando si è stanchi o sotto l'effetto di droghe, alcool o medicinali. Un momento di disattenzione durante l'utilizzo di utensili elettrici può provocare gravi lesioni personali.
- b. **Utilizzare dispositivi di protezione individuale. Indossa sempre una protezione per gli occhi.** Dispositivi di protezione come maschera antipolvere, scarpe antinfortunistiche antiscivolo, elmetto o protezione dell'udito utilizzati per condizioni appropriate ridurranno le lesioni personali.
- c. **Impedire l'avvio involontario. Assicurarsi che l'interruttore sia in posizione OFF prima di collegarlo alla fonte di alimentazione e/o alla batteria, raccogliere o trasportare l'utensile.** Portare utensili elettrici con il dito sull'interruttore o energizzare utensili elettrici con l'interruttore acceso provoca incidenti.
- d. **Rimuovere qualsiasi chiave di regolazione o chiave inglese prima di accendere l'utensile elettrico.** Una chiave inglese o una chiave lasciata attaccata a una parte rotante dell'utensile elettrico può provocare lesioni personali.
- e. **Non esagerare. Mantieni sempre una posizione e un equilibrio adeguati.** Ciò consente un migliore controllo dell'utensile elettrico in situazioni impreviste.
- f. **Vestiti correttamente. Non indossare abiti larghi o gioielli.** Tenere capelli, indumenti e guanti lontani dalle parti in movimento. Vestiti larghi, gioielli o capelli lunghi possono impigliarsi nelle parti in movimento.
- g. **Se sono previsti dispositivi per il collegamento di impianti di estrazione e raccolta della polvere, assicurarsi che siano collegati e utilizzati correttamente.** L'uso della raccolta della polvere può ridurre i rischi legati alla polvere.
- h. **Non lasciare che la familiarità acquisita dall'uso frequente di gli strumenti ti permettono di diventare compiacente e ignorare principi di sicurezza degli utensili.** Un'azione negligente può causare lesioni gravi in una frazione di secondo.
- 4. Uso e cura degli utensili elettrici**
- a. **Non forzare l'utensile elettrico.** Utilizzare l'utensile elettrico corretto per la propria applicazione. L'utensile elettrico corretto svolgerà il lavoro in modo migliore e più sicuro alla velocità per cui è stato progettato.
- b. **Non utilizzare l'utensile elettrico se l'interruttore non lo accende e non lo spegne.** Qualsiasi utensile elettrico che non può essere controllato con l'interruttore è pericoloso e deve essere riparato.
- c. **Scollegare la spina dalla fonte di alimentazione e/o il pacco batteria dall'utensile elettrico prima di effettuare qualsiasi regolazione, cambiare gli accessori o riporre gli utensili elettrici.** Tali misure preventive di sicurezza riducono il rischio di avviamento accidentale dell'elettroutensile.
- d. **Conservare gli utensili elettrici inattivi fuori dalla portata dei bambini e non consentire a persone che non hanno familiarità con l'utensile elettrico o con queste istruzioni di utilizzare l'utensile elettrico.** Gli utensili elettrici sono pericolosi nelle mani di utenti non addestrati.
- e. **Manutenzione di utensili elettrici e accessori.** Controllare il disallineamento o l'inceppamento delle parti in movimento, la rottura delle parti e qualsiasi altra condizione che possa influire sul funzionamento degli utensili elettrici. Se danneggiato, far riparare l'elettroutensile prima dell'uso. Molti incidenti sono causati da utensili elettrici sottoposti a cattiva manutenzione.
- f. **Mantenere gli utensili da taglio affilati e puliti.** Gli utensili da taglio correttamente mantenuti con taglienti affilati hanno meno probabilità di incepparsi e sono più facili da controllare.
- g. **Utilizzare l'utensile elettrico, gli accessori e le punte degli utensili ecc. in conformità con queste istruzioni, tenendo conto delle condizioni di lavoro e del lavoro da eseguire.** L'uso dell'utensile elettrico per operazioni diverse da quelle previste potrebbe causare una situazione di pericolo.
- h. **Mantenere le impugnature e le superfici di presa asciutte, pulite e privo di olio e grasso.** Maniglie scivolose e presa superfici non consentono la manipolazione e il controllo sicuri del strumento in situazioni impreviste.
- 5. Uso e cura dello strumento a batteria**
- a. **Ricaricare solo con il caricabatterie specificato dal produttore.** Un caricabatteria adatto a un tipo di pacco batteria può creare un rischio di incendio se utilizzato con un altro pacco batteria.
- b. **Utilizzare gli utensili elettrici solo con pacchi batteria specificatamente designati.** L'uso di altri pacchi batteria può creare un rischio di lesioni e incendio.

- c. **Quando il pacco batteria non è in uso, tenerlo lontano da altri oggetti metallici, come graffette, monete, chiavi, chiodi, viti o altri piccoli oggetti metallici, che possono creare un collegamento da un terminale all'altro.** Il cortocircuito tra i terminali della batteria può causare ustioni o incendi.
- d. **In condizioni abusive, il liquido può essere espulso dalla batteria; evita il contatto.** In caso di contatto accidentale, sciacquare con acqua. Se il liquido entra in contatto con gli occhi, consultare inoltre un medico. Il liquido espulso dalla batteria può causare irritazioni o ustioni.
- e. **Non utilizzare una batteria o uno strumento danneggiato o modificato.** Le batterie danneggiate o modificate possono presentare un comportamento imprevedibile con conseguenti incendi, esplosioni o rischio di lesioni.
- f. **Non esporre una batteria o uno strumento al fuoco o a temperature eccessive.** L'esposizione al fuoco o a temperature superiori a 130 °C può causare esplosioni.
- g. **Seguire tutte le istruzioni di ricarica e non caricare la batteria o l'utensile al di fuori dell'intervallo di temperatura specificato nelle istruzioni.** Una ricarica impropria o a temperature al di fuori dell'intervallo specificato può danneggiare la batteria e aumentare il rischio di incendio.
6. **Servizio**
- a. **Far riparare l'utensile elettrico da un riparatore qualificato utilizzando solo pezzi di ricambio identici.** Ciò garantirà il mantenimento della sicurezza dell'utensile elettrico.
- b. **Non riparare mai i pacchi BATTERIA danneggiati.** La manutenzione dei gruppi BATTERIA deve essere eseguita solo dal produttore o da fornitori di servizi autorizzati.

Avvertenze aggiuntive sulla sicurezza degli utensili elettrici

- ◆ **Utilizzare le impugnature ausiliarie fornite con lo strumento.** La perdita di controllo può causare lesioni personali.
- ◆ **Tenere l'utensile elettrico dalle superfici di presa isolate quando si esegue un'operazione in cui l'accessorio di taglio potrebbe entrare in contatto con cavi nascosti.** L'accessorio da taglio che entra in contatto con un filo "sotto tensione" può mettere "sotto tensione" le parti metalliche esposte dell'utensile elettrico e provocare una scossa elettrica all'operatore.
- ◆ **Tenere l'utensile elettrico dalle superfici di presa isolate, quando si esegue un'operazione in cui il dispositivo di fissaggio potrebbe entrare in contatto con cavi nascosti.**

Gli elementi di fissaggio che entrano in contatto con un filo "sotto tensione" possono mettere "sotto tensione" le parti metalliche esposte dell'utensile elettrico e provocare una scossa elettrica all'operatore.

- ◆ **Utilizzare morsetti o un altro modo pratico per fissare e sostenere il pezzo su una piattaforma stabile.** Tenere il lavoro con le mani o contro il corpo lo rende instabile e può portare alla perdita di controllo.
- ◆ **Prima di forare pareti, pavimenti o soffitti, verificare la posizione di cavi e tubi.**
- ◆ **Evitare di toccare la punta della punta del trapano subito dopo la perforazione, poiché potrebbe essere calda.**
- ◆ **L'uso previsto è descritto in questo manuale di istruzioni.** L'uso di qualsiasi accessorio o allegato o l'esecuzione di qualsiasi operazione con questo utensile diversi da quelli raccomandati in questo manuale di istruzioni può presentare un rischio di lesioni personali e/o danni alla proprietà.

Sicurezza altrui

- ◆ Non permettere mai a bambini, persone con ridotte capacità fisiche, sensoriali o mentali o mancanza di esperienza e conoscenza o persone che non abbiano familiarità con queste istruzioni di utilizzare la macchina,
- ◆ le normative locali possono limitare l'età dell'operatore.
- ◆ Non utilizzare mai la macchina in presenza di persone, in particolare bambini, o animali domestici.

Ulteriori istruzioni di sicurezza per chiodatrici a batteria

- ◆ **Indossare sempre occhiali di sicurezza.**
- ◆ **Indossare sempre protezioni per le orecchie.**
- ◆ **Utilizzare esclusivamente elementi di fissaggio del tipo specificato nel manuale.**
- ◆ **Non utilizzare supporti per montare l'utensile su a supporto.**
- ◆ **Non smontare o bloccare nessuna parte dello strumento di guida del dispositivo di fissaggio come il dispositivo di scatto del contatto.**
- ◆ **Prima di ogni operazione verificare che la sicurezza e il meccanismo di attivazione funzioni correttamente e che tutti i dadi e i bulloni siano serrati.**
- ◆ **Non utilizzare l'utensile come un martello.**
- ◆ **Non utilizzare l'attrezzo su una scala.**
- ◆ **Non puntare mai contro se stessi o contro un'altra persona alcun attrezzo per l'inserimento di elementi di fissaggio in funzione.**
- ◆ **Durante il lavoro, tenere l'utensile in modo tale da non causare lesioni alla testa o al corpo in caso di possibile contraccolpo dovuto a un'interruzione dell'alimentazione di energia o a zone dure all'interno del pezzo da lavorare.**

- ◆ Non azionare mai l'avvitatore per chiodi nello spazio libero.
- ◆ Nell'area di lavoro, trasportare l'utensile sul posto di lavoro utilizzando una sola impugnatura e mai con il grilletto azionato.
- ◆ Considerare le condizioni nell'area di lavoro. Gli elementi di fissaggio possono penetrare in pezzi sottili o scivolare da angoli e spigoli del pezzo, mettendo così a rischio le persone.
- ◆ Non inserire i dispositivi di fissaggio vicino al bordo del pezzo da lavorare.
- ◆ Non inserire elementi di fissaggio sopra altri elementi di fissaggio.
- ◆ Presupporre sempre che l'utensile contenga elementi di fissaggio. Una manipolazione incauta della chiodatrice può provocare l'accensione inaspettata di elementi di fissaggio e lesioni personali.
- ◆ Non puntare l'utensile verso se stessi o verso chiunque si trovi nelle vicinanze. L'attivazione inaspettata scaricherà il dispositivo di fissaggio causando lesioni.
- ◆ Non azionare l'utensile a meno che non sia posizionato saldamente contro il pezzo in lavorazione. Se lo strumento non è in contatto, il dispositivo di fissaggio potrebbe essere deviato lontano dal bersaglio.
- ◆ Scollegare l'utensile dalla fonte di alimentazione quando il dispositivo di fissaggio si blocca nell'utensile. Durante la rimozione di un dispositivo di fissaggio inceppato, la chiodatrice potrebbe attivarsi accidentalmente se è collegata.
- ◆ Non utilizzare questo attrezzo per fissare cavi elettrici. Non è progettato per l'installazione di cavi elettrici e può danneggiare l'isolamento dei cavi elettrici causando scosse elettriche o pericolo di incendio.

Rischi residui

Ulteriori rischi residui possono sorgere durante l'utilizzo dell'utensile che potrebbero non essere inclusi nelle avvertenze di sicurezza allegate.

Questi rischi possono derivare da uso improprio, uso prolungato ecc.

Anche con l'applicazione delle norme di sicurezza pertinenti e l'implementazione di dispositivi di sicurezza, alcuni rischi residui non possono essere evitati. Questi includono:

- ◆ Lesioni causate dal contatto con qualsiasi parte rotante/ in movimento.
- ◆ Lesioni causate durante la sostituzione di parti, lame o accessori.
- ◆ Lesioni causate dall'uso prolungato di uno strumento. Quando si utilizza uno strumento per periodi prolungati, assicurarsi di fare pause regolari.

- ◆ Compromissione dell'udito.
- ◆ Pericoli per la salute causati dall'inalazione della polvere sviluppata durante l'utilizzo dell'utensile (esempio: lavorazione del legno, in particolare quercia, faggio e MDF.)

Rumore e vibrazioni

I valori di emissione di rumore e vibrazioni dichiarati indicati nei dati tecnici e nella dichiarazione di conformità sono stati misurati secondo un metodo di prova standard fornito da EN60745 e possono essere utilizzati per confrontare uno strumento con un altro. Il valore dichiarato di emissione di rumore e vibrazioni può anche essere utilizzato in una valutazione preliminare dell'esposizione.

Avvertimento! Il valore di emissione di rumore e vibrazioni durante l'uso effettivo dell'utensile elettrico può differire dal valore dichiarato a seconda delle modalità di utilizzo dell'utensile. Il livello di rumore e vibrazioni può aumentare al di sopra del livello dichiarato.

Nel valutare l'esposizione al rumore e alle vibrazioni per determinare le misure di sicurezza richieste dalla 2002/44/CE per proteggere le persone che utilizzano regolarmente utensili elettrici sul lavoro, una stima dell'esposizione al rumore e alle vibrazioni dovrebbe prendere in considerazione le effettive condizioni di utilizzo e il modo in cui lo strumento viene utilizzato, compresa la presa in considerazione di tutte le parti del ciclo operativo come i tempi in cui l'utensile è spento e quando è inattivo oltre al tempo di attivazione.

Etichette sull'utensile

I seguenti simboli sono riportati sullo strumento insieme al codice della data:



Avvertimento! Per ridurre il rischio di lesioni, l'utente deve leggere il manuale di istruzioni.



Avvertimento! Per ridurre il rischio di lesioni, l'utente deve indossare protezioni per le orecchie e gli occhi.



Attenzione: non fissare la lampada operatoria.



Per illuminare la superficie di lavoro immediata, nonché un indicatore di batteria scarica e un indicatore di chiodi inceppati.



Tenere le mani e le parti del corpo lontano da zona di lavoro immediata.

Istruzioni di sicurezza aggiuntive per batterie e caricabatterie

Batterie

- ◆ Non tentare mai di aprire per nessun motivo.
- ◆ Non esporre la batteria all'acqua.
- ◆ Non conservare in luoghi in cui la temperatura può superare i 40 °C.
- ◆ Caricare solo a temperature ambiente comprese tra 10 °C e 40 °C.
- ◆ Per lo smaltimento delle batterie, seguire le istruzioni riportate nella sezione "Protezione dell'ambiente".
- ◆ Non danneggiare/deformare il pacco batterie perforandolo o urtandolo, in quanto ciò potrebbe creare un rischio di lesioni e incendio.
- ◆ Non caricare batterie danneggiate.
- ◆ In condizioni estreme, potrebbero verificarsi perdite dalla batteria. Quando si nota del liquido sulle batterie Pulire accuratamente il liquido con un panno. Evitare il contatto con la pelle.
- ◆ In caso di contatto con la pelle o con gli occhi, seguire le istruzioni riportate di seguito.

Avvertimento! Il liquido della batteria può causare lesioni personali o danni materiali. In caso di contatto con la pelle, sciacquare immediatamente con acqua. In caso di arrossamento, dolore o irritazione, consultare un medico. In caso di contatto con gli occhi, sciacquare immediatamente con acqua pulita e consultare un medico.



Non tentare di caricare batterie danneggiate

Caricabatterie

- ◆ Usa il tuo caricabatterie STANLEY FATMAX solo per caricare il batteria nello strumento con cui è stata fornita. Altro le batterie potrebbero scoppiare, causando lesioni personali e danni.
- ◆ Non tentare mai di caricare batterie non ricaricabili.
- ◆ Far sostituire immediatamente i cavi difettosi.
- ◆ Non esporre il caricabatterie all'acqua.
- ◆ Non aprire il caricabatteria.
- ◆ Non sondare il caricabatterie

Simboli sul caricatore



Il caricabatterie è destinato esclusivamente all'uso in interni.



Leggere il manuale di istruzioni prima dell'uso.

Sicurezza elettrica



Il tuo adattatore è a doppio isolamento; pertanto non è necessario alcun filo di terra. Verificare sempre che la tensione di rete corrisponda a quella di targa. Non tentare mai di sostituire l'adattatore con una normale spina di rete.

Caratteristiche

Questo apparecchio include alcune o tutte le seguenti caratteristiche.

1. Interruttore a grilletto
2. Interruttore di blocco del grilletto
3. Rotella di regolazione della profondità
4. Indicatore di regolazione della profondità
5. Spie di lavoro/batteria scarica/inceppamento/indicatore di stallo
6. Leva sblocco stallo
7. Chiusura a scatto per l'eliminazione degli inceppamenti
8. Viaggio di contatto
9. Rivista
10. Fermo a pulsante
11. Posizione di attacco degli accessori
12. Batteria

Utilizzo

Avvertimento! Lascia che lo strumento funzioni al proprio ritmo. Non sovraccaricare.

Ricarica della batteria (Fig. A)

La batteria deve essere caricata prima del primo utilizzo e ogni volta che non riesce a produrre energia sufficiente per lavori che prima erano facilmente eseguibili.

La batteria potrebbe riscaldarsi durante la ricarica; questo è normale e non indica un problema.

Avvertimento! Non caricare la batteria a temperature ambiente inferiori a 10 °C o superiori a 40 °C. Temperatura di ricarica consigliata: ca. 24 °C.

Nota: il caricabatterie non caricherà una batteria se la temperatura della cella è inferiore a circa 10 °C o superiore a 40 °C.

La batteria deve essere lasciata nel caricabatterie e il caricabatterie inizierà a caricarsi automaticamente quando la temperatura della cella si riscalda o si raffredda.







Note: To ensure maximum performance and life of lithium-ion battery packs, charge the battery pack fully before first use.

- ◆ Collegare il caricabatterie (13) a una presa appropriata prima di inserire il pacco batteria (12).
 - ◆ La spia verde di ricarica (13a) lampeggerà continuamente indicando che il processo di ricarica è iniziato.
 - ◆ Il completamento della carica sarà indicato dalla spia verde di carica (13a) che rimarrà accesa fissa.
- La batteria (12) è completamente carica e può essere

rimossa e utilizzata in questo momento o lasciata nel caricabatteria (13).

- ◆ Ricaricare le batterie scariche entro 1 settimana. La durata della batteria sarà notevolmente ridotta se conservata in uno stato di scarica.

Charger LED Modes

	Ricarica: LED verde intermittente	
	Completamente carico: LED verde fisso	
	Ritardo pacco caldo/freddo: LED verde intermittente LED rosso fisso	

Nota: i caricatori compatibili non caricheranno una batteria difettosa. Il caricabatterie indicherà un pacco batteria difettoso rifiutandosi di accendersi.

Nota: questo potrebbe anche significare un problema con un caricabatterie. Se il caricabatterie indica un problema, portare il caricabatterie e la batteria a farli testare presso un centro di assistenza autorizzato.

Lasciando la batteria nel caricabatterie

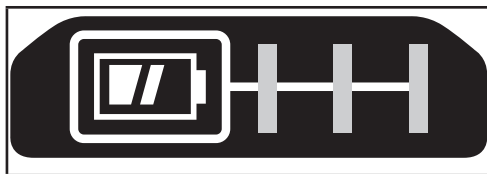
Il caricabatterie e la batteria possono essere lasciati collegati con il LED acceso a tempo indeterminato. Il caricabatterie manterrà la batteria fresca e completamente carica.

Ritardo pacco caldo/freddo

Quando il caricabatterie rileva una batteria troppo calda o troppo fredda, avvia automaticamente un Hot/Cold Pack Delay, il LED verde (13a) lampeggerà ad intermittenza, mentre il LED rosso (13b) rimarrà acceso in modo continuo, sospendendo la carica fino a che la batteria ha raggiunto una temperatura adeguata. Il caricabatterie quindi passa automaticamente alla modalità di ricarica del pacco. Questa funzione garantisce la massima durata della batteria.

Indicatore dello stato di carica della batteria (Fig. B)

La batteria include un indicatore dello stato di carica per determinare rapidamente l'autonomia della batteria come mostrato nella figura B. Premendo il pulsante dello stato di carica (12a) è possibile visualizzare facilmente la carica residua della batteria come illustrato nella figura B.



Installazione e rimozione della batteria dallo strumento

Avvertimento! Accertarsi che il pulsante di blocco sia inserito per impedire l'attivazione dell'interruttore prima di rimuovere o installare la batteria.

Per installare la batteria (Fig. C)

- ◆ Inserire saldamente la batteria nell'utensile finché non si sente un clic udibile come mostrato nella figura C. Assicurarsi che la batteria sia completamente inserita e bloccata in posizione.

Per rimuovere il pacco batteria (Fig. D)

- ◆ Premere il pulsante di rilascio della batteria (12b) come mostrato nella figura D ed estrarre la batteria dall'utensile.

Gancio per appendere (Fig. E, F)

Avvertimento! Rimuovi i chiodi dal caricatore prima di crearne una regolazione o la manutenzione di questo strumento. In caso contrario, potrebbe verificarsi in grave infortunio.

Avvertimento! Per ridurre il rischio di gravi lesioni personali, posizionare il pulsante avanti/indietro nella posizione di blocco o spegnere l'utensile e scollegare il pacco batteria prima di procedere eventuali regolazioni o rimozione/installazione di accessori o Accessori. Un avviamento accidentale può causare lesioni.

Avvertimento! Per ridurre il rischio di gravi lesioni personali, assicurarsi la vite (15) che tiene il gancio di sospensione è fissa.

Attenzione: quando non in uso, posizionare l'utensile su un lato su una stalla superficie su cui non possa inciampare o cadere. Alcuni strumenti con pacchi batteria di grandi dimensioni rimarranno in posizione verticale sul pacco batteria, ma può essere facilmente rovesciato.

Nota: Quando si attacca o si sostituisce il gancio di sospensione (14), utilizzare solo la vite (15) in dotazione. Assicurati di farlo in modo sicuro stringere la vite.

Se il gancio non è affatto desiderato, può essere rimosso lo strumento. Per spostare il gancio di sospensione, rimuovere la vite (15) che lo fissa appendere il gancio (14) in posizione.

Nota: sono disponibili vari ganci per trackwall e configurazioni di archiviazione.

Si prega di visitare il nostro sito Web www.stanley.eu/3 per ulteriori informazioni.

Funzionamento

Avvertimento! Leggere la sezione intitolata Avvertenze sulla sicurezza della chiodatrice all'inizio di questo manuale. Indossa sempre occhi e orecchie protezione quando si utilizza questo strumento.

Tieni la chiodatrice puntata lontano da te stesso e dagli altri. Per un funzionamento sicuro, completare le seguenti procedure e controlli prima di ogni utilizzo della chiodatrice.

Avvertimento! Per ridurre il rischio di lesioni personali, scollegare il pacco batteria dall'utensile e attivare il blocco del grilletto prima di eseguire la manutenzione, rimuovere chiodi inceppati, lasciare l'area di lavoro, spostare l'utensile in un'altra posizione o consegnare l'utensile a un'altra persona.

Avvertimento! Tenere le dita LONTANO dal grilletto quando non si inseriscono i dispositivi di fissaggio per evitare spari accidentali. Non portare mai l'attrezzo con il dito sul grilletto.

- ◆ Indossare una protezione adeguata per gli occhi, l'udito e le vie respiratorie.
- ◆ Rimuovere la batteria dall'utensile e attivare il blocco del grilletto.
- ◆ Bloccare lo spintore in posizione arretrata e rimuovere tutte le strisce di chiodi dal caricatore.
- ◆ Controllare il corretto e regolare funzionamento dei gruppi di sgancio dei contatti e pulsanti.
Non utilizzare lo strumento se uno dei due gruppi non funziona correttamente.
- ◆ Non utilizzare mai un utensile con parti danneggiate.

Avvertimento! Azionare l'utensile con dispositivi di fissaggio a una velocità non superiore a 30 volte/min.

Per azionare la chiodatrice

Avvertimento! Lo scatto di contatto deve essere abbassato seguito da una pressione completa del grilletto per ciascun chiodo, seguito dal rilascio sia dello scatto di contatto che del grilletto dopo ogni chiodo.

Avvertimento! La batteria deve sempre essere rimossa e il blocco del grilletto inserito ogni volta che vengono effettuate regolazioni o quando lo strumento non è in uso.

- ◆ Abbassare completamente lo scatto di contatto contro la superficie di lavoro.
- ◆ Tirare completamente il grilletto e il motore si avvia. (il chiodo entrerà nella superficie di lavoro).
- ◆ Rilasciare il grilletto.
- ◆ Sollevare lo scatto del contatto dalla superficie di lavoro.
- ◆ Ripetere i 4 passaggi precedenti per l'applicazione successiva.

Preparazione dello strumento

Avvertimento! MAI spruzzare o applicare in altro modo olio, lubrificanti o solventi per la pulizia all'interno dell'utensile.

Ciò può compromettere seriamente la durata e le prestazioni dell'utensile.

Avvertimento! La batteria deve sempre essere rimossa e il blocco del grilletto inserito ogni volta che vengono effettuate regolazioni o quando lo strumento non è in uso.

- ◆ Leggere la sezione Istruzioni di sicurezza di questo manuale.
- ◆ Indossare protezioni per occhi e orecchie.
- ◆ Rimuovere la batteria dall'utensile e caricarla completamente.
- ◆ Assicurarsi che il caricatore sia privo di tutti i dispositivi di fissaggio.
- ◆ Controllare il corretto e regolare funzionamento dei gruppi di sgancio dei contatti e pulsanti. Non utilizzare lo strumento se uno dei due gruppi non funziona correttamente.
- ◆ Tenere lo strumento puntato lontano da se stessi e dagli altri.
- ◆ Inserire la batteria completamente carica.

Posizione corretta della mano (Fig. G)

Avvertimento! Per ridurre il rischio di gravi lesioni personali, utilizzare SEMPRE la corretta posizione delle mani come mostrato nella figura G.

Avvertimento! Per ridurre il rischio di gravi lesioni personali, Tenere SEMPRE saldamente in previsione di una reazione improvvisa.

La corretta posizione della mano richiede una mano sull'impugnatura principale.

Regolazione della profondità (Fig. H)

La profondità di inserimento del dispositivo di fissaggio può essere regolata utilizzando la rotella di regolazione della profondità (3) sul lato dell'utensile.

Avvertenza! Per ridurre il rischio di lesioni gravi dovute all'azionamento accidentale durante il tentativo di regolazione della profondità, sempre:

- ◆ Rimuovere la batteria.
- ◆ Inserire il blocco del grilletto.
- ◆ Evitare il contatto con il grilletto durante le regolazioni.

Le impostazioni di profondità sono su una scala mobile (4).

Il lato sinistro indica il più profondo e il lato destro indica il più basso.

- ◆ Per piantare un chiodo più in profondità, ruotare la rotella di regolazione della profondità (3) verso il basso. Questo farà scorrere l'indicatore di regolazione della profondità (4) verso sinistra sulla scala.
- ◆ Per piantare un chiodo meno profondo, ruotare la rotella di regolazione della profondità (3) verso l'alto. Questo farà scorrere l'indicatore di regolazione della profondità (4) verso destra sulla scala.

Carico e scarico dell'utensile (Fig. I, J)

Avvertimento! Tieni lo strumento puntato lontano da te stesso e dagli altri. Potrebbero verificarsi gravi

lesioni personali.

Avvertimento! Non caricare mai i chiodi con lo scatto di contatto o il grilletto attivato.

Avvertimento! Rimuovere sempre la batteria prima di caricare o scaricare i chiodi.

Avvertimento! La batteria deve sempre essere rimossa e il blocco del grilletto inserito ogni volta che vengono effettuate regolazioni o quando lo strumento non è in uso.

Caricamento dello strumento

- ◆ Premere la chiusura a scatto (10) e abbassare il caricatore.
- ◆ Inserire i dispositivi di fissaggio sul lato del caricatore. Assicurarsi che le punte dei dispositivi di fissaggio siano posizionate verso la parte anteriore del caricatore, sotto la guida del chiodo (16) nel canale del chiodo.
- ◆ Spingere il caricatore in posizione di chiusura finché non si blocca in posizione.

Avvertimento! Tenere le dita lontane dallo spintore per evitare lesioni.

Scaricamento dello strumento

Avvertenza! La batteria deve essere sempre rimossa e il blocco del grilletto inserito ogni volta che vengono effettuate regolazioni o quando l'utensile non è in uso.

- ◆ Premere il fermo dello spingichiodi e abbassare il caricatore.
- ◆ Inclinare l'attrezzo verso l'alto finché i chiodi non fuoriescono liberamente rivista
- ◆ Aprire lo sportellino anti-inceppamento (7) sul nasello per verificare che non vi siano chiodi rimasti.

Fari da lavoro (Fig. K)

Ci sono luci di lavoro (5) situate su ciascun lato della chiodatrice.

Le luci di lavoro si accendono premendo lo scatto del contatto.

Nota: queste luci da lavoro servono per illuminare la superficie di lavoro immediata e non sono destinate ad essere utilizzate come torce elettriche.



Indicatore di batteria scarica:

La luce da lavoro sul lato sinistro lampeggerà quattro volte consecutive e poi si spegnerà per indicare che la batteria è scarica.



Indicatore di chiodi inceppati:

La luce di lavoro sul lato destro lampeggerà continuamente se un chiodo si incastra nel nasello (vedere Rimozione di un chiodo inceppato).

Rilascio dello stallo (Fig. L)

Avvertimento! Se si verifica uno stallo, lo strumento si disabiliterà e richiederà il ripristino. Per fare ciò, seguire le istruzioni su come eliminare una condizione di stallo. Quindi rimuovere la batteria e reinserirla. Lo strumento sarà ora operativo.

Se la chiodatrice viene utilizzata in un'applicazione rigorosa dove tutto l'energia disponibile nel motore viene utilizzata per azionare un dispositivo di fissaggio, l'utensile potrebbe andare in stallo. La lama del driver non ha completato il ciclo di guida e l'indicatore di inceppamento/stallo lampeggerà.

Ruotare la leva di rilascio dello stallo (6) sull'attrezzo e il meccanismo si sbloccherà come mostrato nella figura L.

Nota! Lo strumento si disattiverà da solo e non si ripristinerà fino a quando il pacco batteria non sarà stato rimosso e reinserito. Se l'unità continua a bloccarsi, rivedere il materiale e la lunghezza del dispositivo di fissaggio per assicurarsi che non si tratti di un'applicazione troppo rigorosa. Se il conducente

la lama non torna automaticamente alla posizione iniziale dopo aver ruotato la leva di rilascio dello stallo, procedere alla "rimozione di un chiodo inceppato".

Rimozione di un chiodo inceppato (Fig. M, N)

Avvertenza! Per ridurre il rischio di lesioni personali, scollegare il pacco batteria dall'utensile e attivare il blocco del grilletto prima di eseguire la manutenzione o rimuovere un chiodo inceppato.

Se un chiodo si incastra nel nasello, tieni lo strumento puntato lontano da te e segui queste istruzioni per pulire:

- ◆ Rimuovere la batteria dall'utensile e attivare il blocco del grilletto.
- ◆ Rimuovere eventuali chiodi caricati. Fare riferimento a Caricamento e scaricamento dell'utensile.
- ◆ Sollevare il fermo di eliminazione degli inceppamenti 7, quindi tirare verso l'alto per aprire lo sportello anteriore 17.
- ◆ Rimuovere il chiodo piegato, utilizzando le pinze se necessario.
- ◆ Se la lama del driver è in posizione abbassata, azionare la leva di rilascio stallo 6 esercitando una forza sufficiente per farla scorrere completamente fino all'altra estremità della fessura negli alloggiamenti.

- ◆ Chiudere lo sportello anteriore e innestare il perno di chiusura sotto i due bracci 18 del nasello. Spingere il fermo finché non si blocca in posizione.
- ◆ Reinserire la batteria.

Attenzione! Se si verifica un inceppamento, lo strumento si disattiverà e richiederà il ripristino. Per fare ciò, seguire le istruzioni su come eliminare l'unghia inceppata.

Quindi rimuovere la batteria e reinserirla. Lo strumento sarà ora operativo.

Nota! Se i chiodi continuano a incepparsi frequentemente durante il contatto, far riparare l'utensile da un centro di assistenza autorizzato STANLEY FATMAX.

Funzionamento in climi freddi

Quando si utilizzano strumenti a temperature sotto lo zero:

- ◆ Mantenere lo strumento il più caldo possibile prima dell'uso.
- ◆ Azionare l'attrezzo 5 o 6 volte nel legname di scarto prima dell'uso.

Funzionamento in climi caldi

Lo strumento dovrebbe funzionare normalmente. Tuttavia, tenere l'utensile lontano dalla luce solare diretta poiché il calore eccessivo può deteriorare i paraurti e altre parti in gomma con conseguente aumento della manutenzione.

Punta No-mar (Fig. O)

Lo strumento è dotato di una punta no-mar di ricambio (19) situata sul lato del caricatore chiodi.

Per sostituire il tampone no-mar, è sufficiente estrarre il vecchio tampone no-mar e rimontare il nuovo tampone no-mar sull'innesto di contatto (8).

Parti di ricambio

Avvertenza! Per ridurre il rischio di lesioni personali, scollegare il pacco batteria dall'utensile e attivare il blocco del grilletto prima di eseguire la manutenzione o rimuovere un chiodo inceppato.

Lo strumento è dotato di una punta no mar di ricambio situata sul lato del caricatore chiodi.

Utilizzare solo parti di ricambio identiche. Per un elenco delle parti o per ordinare le parti, visitare il nostro sito Web di assistenza all'indirizzo www.stanley.eu/3co.uk. Puoi anche ordinare parti dal tuo più vicino STANLEY FATMAX Factory Service Center o garanzia autorizzata STANLEY FATMAX.

Accessori

Avvertimento! Poiché gli accessori, diversi da quelli offerti da STANLEY FATMAX, non sono stati testati con questo prodotto, l'uso di tali accessori con questo utensile potrebbe essere pericoloso. Per ridurre il rischio di lesioni, con questo prodotto devono essere utilizzati solo gli accessori consigliati da STANLEY FATMAX.

Gli accessori consigliati per l'uso con lo strumento sono disponibile a un costo aggiuntivo presso il rivenditore locale o autorizzato centro Servizi.

Risoluzione dei problemi

Se l'apparecchio sembra non funzionare correttamente, seguire le seguenti istruzioni.

Se ciò non risolve il problema, contattare l'agente di riparazione STANLEY FATMAX locale.

Avvertimento! Prima di procedere, scollegare l'apparecchio.

Problema	Causa possibile	Possibile soluzione
L'unità non si avvia.	Pacco batteria non installato correttamente. Pacco batteria non carico. Il blocco del grilletto è impegnato.	Controllare l'installazione della batteria. Controllare i requisiti di ricarica della batteria. Disinserire il blocco del grilletto.
Lo strumento non aziona. (Fari accesi, il motore non funziona)	Il motore smette di funzionare dopo 2 secondi.	Operazione normale: rilasciare il grilletto o far scattare il contatto e premere nuovamente.
Lo strumento non si attiva. (I fari lampeggiano)	Batteria scarica o batteria danneggiata.	Caricare o sostituire la batteria.
L'attrezzo non si attiva. (I fari lampeggiano continuamente)	Dispositivo di fissaggio inceppato / utensile in stallo. Meccanismo bloccato	Rimuovere la batteria, ruotare la leva di rilascio dello stallo. Rimuovere il dispositivo di fissaggio inceppato e reinserire il pacco batteria. Consultare un centro di assistenza autorizzato.
L'attrezzo non si aziona. (Fari accesi, motore in funzione, lama di trascinamento bloccata)		Consultare un centro di assistenza autorizzato.
Lo strumento funziona, ma lo fa non guidare completamente il dispositivo di fissaggio.	Batteria scarica o batteria danneggiata. La regolazione della profondità è troppo bassa. Utensile non saldamente applicato al pezzo. Il materiale e la lunghezza del dispositivo di fissaggio sono un'applicazione troppo rigorosa.	Caricare o sostituire la batteria. Ruotare la rotella di regolazione della profondità su un'ambientazione più profonda. Leggi il manuale di istruzioni. Scegli il materiale appropriato o la lunghezza del dispositivo di fissaggio.

Manutenzione

Il vostro apparecchio/utensile con/senza filo STANLEY FATMAX è stato progettato per funzionare per un lungo periodo di tempo con una manutenzione minima. Il funzionamento continuo e soddisfacente dipende dalla corretta cura dell'utensile/apparecchio e dalla pulizia regolare.

Avvertimento! Spegner e scollegare l'apparecchio prima di eseguire qualsiasi operazione di pulizia.

- ◆ Lo sporco e il grasso possono essere rimossi dall'esterno dell'apparecchio utilizzando un panno.

Avvertimento! Non utilizzare MAI solventi o altri prodotti chimici aggressivi per pulire le parti non metalliche dell'apparecchio. Queste sostanze chimiche possono indebolire i materiali utilizzati in queste parti. Utilizzare un panno inumidito solo con acqua e sapone neutro. Non lasciare mai che liquidi penetrino all'interno dell'unità; non immergere mai alcuna parte dell'unità in un liquido.

Avvertimento! MAI spruzzare o applicare in altro modo lubrificanti o solventi per la pulizia all'interno dell'utensile. Ciò può compromettere seriamente la durata e le prestazioni dell'utensile.

Note di servizio

Questo prodotto non è riparabile dall'utente. Non ci sono parti riparabili dall'utente all'interno della chiodatrice. L'assistenza presso un centro di assistenza autorizzato è necessaria per evitare danni ai componenti interni sensibili all'elettricità statica.

Protezione dell'ambiente



Raccolta differenziata. I prodotti e le batterie contrassegnati da questo simbolo non devono essere smaltiti con i normali rifiuti domestici.

I prodotti e le batterie contengono materiali che possono essere recuperati o riciclati riducendo la domanda di materie prime.

Si prega di riciclare i prodotti elettrici e le batterie secondo le disposizioni locali. Ulteriori informazioni sono disponibili su www.2helpU.com

Dati tecnici

		SFMCN618 Type:1
Voltaggio	V _{DC}	18
Tipo di batteria		Li-Ion
Modalità di attuazione		Sequential
Angolo rivista		Straight
Nessuna velocità di caricamento	/min	9000
Guidare l'energia	approx	50J
Peso (attrezzo nudo)	kg	2,43

Elementi di fissaggio		
Lunghezza	mm	16 - 50
Diametro gambo	mm	1,27
Angle		Straight

Questo strumento è un'unità Bare ma può essere utilizzato con i caricatori nella tabella seguente.

Caricabatterie		SFMCB10	SFMCB11	SFMCB12	SFMCB14
Tensione di ingresso	V _{AC}	230	230	230	230
Tensione di uscita	V _{DC}	18	18	18	18
Attuale	A	1,25	1,25	2	4

Questo strumento è un'unità nuda ma può essere utilizzato con le batterie nella tabella seguente.

Batteria		SFMCB201	SFMCB202	SFMCB204	SFMCB206
Voltaggio	V _{DC}	18	18	18	18
Capacità	Ah	1,5	2,0	4,0	6,0
Type		Li-Ion	Li-Ion	Li-Ion	Li-Ion

Livello di pressione sonora secondo EN60745:

Pressione sonora (L_{pA}) 84 dB(A), incertezza (K) 3 dB(A)

Sound power (L_{WA}) 95 dB(A), incertezza (K) 3 dB(A)

Valori totali delle vibrazioni (somma vettoriale triassiale) secondo EN60745:

Staple chiodi (a_v) 2,8 m/s², incertezza (K) 1,8 m/s²

EC declaration of conformity

MACHINERY DIRECTIVE



SFMCN618 - Chiodatrice a batteria

STANLEY FATMAX dichiara che questi prodotti descritti di seguito 2006/42/EC; EN 60745-1:2009 + A11:2010; EN 60745-2-16:2010.

Anche questi prodotti sono conformi alla Direttiva 2014/30/EU and 2011/65/EU.

Per ulteriori informazioni, contattare STANLEY FATMAX al seguente indirizzo o consultare il retro del manuale.

Per ulteriori informazioni, contattare STANLEY FATMAX al seguente indirizzo o consultare il retro del manuale.

Il sottoscritto è responsabile della compilazione del fascicolo tecnico e rende questa dichiarazione per conto di

STANLEY FATMAX.

Patrick Diepenbach

Patrick Diepenbach

Direttore generale, Benelux

STANLEY FATMAX,

Egide Walschaertsstraat 14-18

2800 Mechelen, Belgio

30/05/2023

Garanzia

STANLEY FATMAX è sicura della qualità dei suoi prodotti e offre ai consumatori una garanzia di 12 mesi dalla data di acquisto.

Questa garanzia si aggiunge e non pregiudica in alcun modo i tuoi diritti legali. La garanzia è valida all'interno dei territori degli Stati Membri dell'Unione Europea e dell'Area Europea di Libero Scambio e del Regno Unito.

Per usufruire della garanzia, la richiesta deve essere conforme ai Termini e condizioni STANLEY FATMAX e sarà necessario presentare la prova di acquisto al venditore o a un agente di riparazione autorizzato.

I termini e le condizioni della garanzia STANLEY FATMAX di 1 anno e l'ubicazione dell'agente di riparazione autorizzato più vicino possono essere ottenuti su Internet all'indirizzo www.2helpU.com o contattando l'ufficio locale STANLEY FATMAX all'indirizzo indicato in questo manuale.

Si prega di visitare il nostro sito Web www.stanley.eu/3 per registrarsi

il tuo nuovo prodotto STANLEY FATMAX e ricevi aggiornamenti su nuovi prodotti e offerte speciali.

Bedoeld gebruik

Uw STANLEY FATMAX SFMCN618 accutacker is ontworpen om te spijkeren. Dit apparaat is bedoeld voor professionele en particuliere, niet-professionele gebruikers.

Veiligheidsinstructies

Algemene veiligheidswaarschuwingen voor elektrisch gereedschap



Waarschuwing! Lees alle veiligheidswaarschuwingen, instructies, illustraties en specificaties die bij dit elektrisch gereedschap zijn geleverd. Het niet opvolgen van de onderstaande waarschuwingen en instructies kan leiden tot elektrische schokken, brand en/of ernstig letsel.

Bewaar alle waarschuwingen en instructies voor toekomstig gebruik. De term "elektrisch gereedschap" in alle onderstaande waarschuwingen verwijst naar uw elektrisch gereedschap dat op het elektriciteitsnet (met snoer) of op batterijen (snoerloos) werkt.

1. Veiligheid op de werkvloer

- a. **Houd het werkgebied schoon en goed verlicht.**
Rommelige of donkere gebieden nodigen uit tot ongelukken.
- b. **Gebruik geen elektrisch gereedschap in explosieve atmosferen, zoals in de aanwezigheid van ontvlambare vloeistoffen, gassen of stof.** Elektrisch gereedschap veroorzaakt vonken die het stof of de dampen kunnen doen ontbranden.
- c. **Houd kinderen en omstanders uit de buurt tijdens het gebruik van elektrisch gereedschap.** Afdelingen kunnen ertoe leiden dat u de controle verliest.

2. Elektrische veiligheid

- a. **Stekkers van elektrisch gereedschap moeten in het stopcontact passen.** Breng op geen enkele manier wijzigingen aan de stekker aan.
Gebruik geen verloopstekkers met geaard (geaard) elektrisch gereedschap. Ongewijzigde stekkers en bijpassende stopcontacten verminderen het risico op elektrische schokken.
- b. **Vermijd lichamelijk contact met geaarde of geaarde oppervlakken zoals leidingen, radiatoren, fornuizen en koelkasten.** Er is een verhoogd risico op een elektrische schok als uw lichaam geaard of geaard is.
- c. **Stel elektrisch gereedschap niet bloot aan regen of natte omstandigheden.** Water dat een elektrisch gereedschap binnendringt, verhoogt het risico op een elektrische schok.

- d. **Maak geen misbruik van het snoer.** Gebruik het snoer nooit om elektrisch gereedschap te dragen, eraan te trekken of de stekker uit het stopcontact te halen. Hou het snoer uit de buurt van hitte, olie, scherpe randen of bewegende onderdelen. Beschadigde of verwarde snoeren verhogen het risico op een elektrische schok.
 - e. **Gebruik bij gebruik buitenshuis een verlengsnoer dat geschikt is voor gebruik buitenshuis.** Het gebruik van een snoer dat geschikt is voor gebruik buitenshuis vermindert het risico op een elektrische schok.
 - f. **Als het gebruik van een elektrisch gereedschap op een vochtige locatie onvermijdelijk is, gebruik dan een voeding met aardlekschakelaar (RCD).** Het gebruik van een aardlekschakelaar vermindert het risico op een elektrische schok.
- 3. Persoonlijke veiligheid**
- a. **Blijf alert, let op wat u doet en gebruik uw gezond verstand bij het bedienen van elektrisch gereedschap.** Gebruik geen elektrisch gereedschap als u moe bent of onder invloed bent van drugs, alcohol of medicijnen. Een moment van onoplettendheid tijdens het bedienen van elektrisch gereedschap kan leiden tot ernstig persoonlijk letsel.
 - b. **Gebruik persoonlijke beschermingsmiddelen. Draag altijd oogbescherming.** Beschermende uitrusting zoals een stofmasker, antislip veiligheidsschoenen, helm of gehoorbescherming die onder de juiste omstandigheden wordt gebruikt, zal persoonlijk letsel verminderen.
 - c. **Voorkom onbedoeld starten.** Zorg ervoor dat de schakelaar in de uit-stand staat voordat u het gereedschap aansluit op de stroombron en/of accu, het oppakt of draagt. Het dragen van elektrisch gereedschap met uw vinger op de schakelaar of het inschakelen van elektrisch gereedschap met de schakelaar aan, nodigt uit tot ongelukken.
 - d. **Verwijder alle stelsleutels of moersleutels voordat u het elektrisch gereedschap inschakelt.** Een moersleutel of sleutel die aan een draaiend deel van het elektrisch gereedschap blijft zitten, kan leiden tot persoonlijk letsel.
 - e. **Overdrijf niet. Zorg te allen tijde voor een goede voet en balans.** Dit zorgt voor een betere controle over het elektrische gereedschap in onverwachte situaties.
 - f. **Kleed u naar behoren. Draag geen losse kleding of sieraden.** Hou uw haar, kleding en handschoenen uit de buurt van bewegende onderdelen. Loszittende kleding, sieraden of lang haar kunnen door bewegende delen worden gegrepen.
 - g. **Als er apparaten zijn voorzien voor de aansluiting van stofafzuig- en verzamelfaciliteiten, zorg er dan voor dat deze zijn aangesloten en correct worden gebruikt.** Het gebruik van stofopvang kan stofgerelateerde gevaren verminderen.
 - h. **Laat geen vertrouwdeheid ontstaan door veelvuldig gebruik van tools stellen u in staat zelfgenoegzaam te worden en te negeren veiligheidsprincipes van gereedschap.** Een onzorgvuldige actie kan veroorzaken ernstig letsel binnen een fractie van een seconde.
- 4. Gebruik en onderhoud van elektrisch gereedschap**
- a. **Forceer het elektrisch gereedschap niet.** Gebruik het juiste elektrische gereedschap voor uw toepassing. Het juiste elektrische gereedschap zal het werk beter en veiliger doen in het tempo waarvoor het is ontworpen.
 - b. **Gebruik het elektrisch gereedschap niet als de schakelaar het niet aan en uit zet.** Elektrisch gereedschap dat niet met de schakelaar kan worden bediend, is gevaarlijk en moet worden gerepareerd.
 - c. **Haal de stekker uit het stopcontact en/of de accu uit het elektrisch gereedschap voordat u instellingen uitvoert, accessoires verwisselt of elektrisch gereedschap opbergt.** Dergelijke preventieve veiligheidsmaatregelen verkleinen het risico dat het elektrisch gereedschap per ongeluk wordt gestart.
 - d. **Bewaar elektrisch gereedschap dat niet wordt gebruikt buiten het bereik van kinderen en laat personen die niet bekend zijn met het elektrische gereedschap of deze instructies het elektrische gereedschap niet gebruiken.** Elektrisch gereedschap is gevaarlijk in de handen van ongetrainde gebruikers.
 - e. **Onderhoud elektrisch gereedschap en accessoires.** Controleer op verkeerde uittijning of vastlopen van bewegende onderdelen, breuk van onderdelen en andere omstandigheden die de werking van elektrisch gereedschap kunnen beïnvloeden. Als het elektrisch gereedschap beschadigd is, moet u het vóór gebruik laten repareren. Veel ongelukken worden veroorzaakt door slecht onderhouden elektrisch gereedschap.
 - f. **Houd snijgereedschap scherp en schoon.** Goed onderhouden snijgereedschappen met scherpe snijkanten lopen minder snel vast en zijn gemakkelijker te controleren.
 - g. **Gebruik het elektrisch gereedschap, toebehoren en bits enz. volgens deze instructies, rekening houdend met de werkomstandigheden en de uit te voeren werkzaamheden.** Het gebruik van het elektrische gereedschap voor werkzaamheden die niet zijn bedoeld, kan tot gevaarlijke situaties leiden.
 - h. **Houd handgrepen en grijpvlakken droog, schoon en vrij van olie en vet.** Gladde handvatten en grijpen oppervlakken maken een veilige hantering en controle van de hulpmiddel in onverwachte situaties.
- 5. Gebruik en onderhoud van accugereedschap**
- a. **Laad alleen op met de door de fabrikant opgegeven lader.**

Een lader die geschikt is voor een bepaald type accu kan brandgevaar opleveren bij gebruik met een andere accu.

- b. **Gebruik elektrisch gereedschap alleen met speciaal daarvoor bestemde accupacks.** Het gebruik van andere accu's kan een risico op letsel en brand met zich meebrengen.
- c. **Als de accu niet in gebruik is, houd deze dan uit de buurt van andere metalen voorwerpen, zoals paperclips, munten, sleutels, spijkers, schroeven of andere kleine metalen voorwerpen, die een verbinding kunnen maken tussen de ene aansluiting en de andere.** Het kortsluiten van de accupolen kan brandwonden of brand veroorzaken.
- d. **Onder slechte omstandigheden kan er vloeistof uit de batterij spuiten; Vermijd contact.** Als er per ongeluk contact is, spoel dan met water. Als vloeistof in contact komt met de ogen, zoek dan ook medische hulp. Vloeistof die uit de batterij komt, kan irritatie of brandwonden veroorzaken.
- e. **Gebruik geen accu of gereedschap dat beschadigd of gewijzigd is.** Beschadigde of gewijzigde batterijen kunnen onvoorspelbaar gedrag vertonen, wat kan leiden tot brand, explosie of risico op letsel.
- f. **Stel een accu of gereedschap niet bloot aan vuur of extreme temperaturen.** Blootstelling aan vuur of temperaturen boven 130 °C kan een explosie veroorzaken.
- g. **Volg alle oplaadinstructies en laad de accu of het gereedschap niet op buiten het in de instructies aangegeven temperatuurbereik.** Onjuist opladen of bij temperaturen buiten het gespecificeerde bereik kan de batterij beschadigen en het risico op brand vergroten.

6. Service

- a. **Laat uw elektrische gereedschap onderhouden door een gekwalificeerde reparateur die alleen identieke vervangende onderdelen gebruikt.**
Dit zorgt ervoor dat de veiligheid van het elektrisch gereedschap behouden blijft.
- b. **Voer nooit onderhoud uit aan beschadigde ACCU's.**
Onderhoud van BATTERIJ-packs mag alleen worden uitgevoerd door de fabrikant of geautoriseerde dienstverleners

Aanvullende veiligheids waarschuwingen voor elektrisch gereedschap

- ◆ **Gebruik de hulphandgrepen die bij het gereedschap worden geleverd.** Verlies van controle kan persoonlijk letsel veroorzaken.
- ◆ **Houd elektrisch gereedschap vast aan de geïsoleerde grijpvlakken wanneer u een handeling uitvoert waarbij het snijaccessoire in contact kan komen met verborgen bedrading.**

Als een snijaccessoire in contact komt met een draad die onder spanning staat, kunnen blootliggende metalen delen van het elektrische gereedschap onder spanning komen te staan en kan de gebruiker een elektrische schok krijgen.

- ◆ **Houd het elektrisch gereedschap vast bij de geïsoleerde grijpvlakken wanneer u een handeling uitvoert waarbij het bevestigingsmiddel in contact kan komen met verborgen bedrading.** Bevestigingen die in contact komen met een draad die onder spanning staat, kunnen blootliggende metalen delen van het elektrische gereedschap onder spanning brengen en kunnen de gebruiker een elektrische schok geven.
- ◆ **Gebruik klemmen of een andere praktische manier om het werkstuk op een stabiel platform te bevestigen en te ondersteunen.** Als u het werkstuk met de hand of tegen uw lichaam vasthoudt, wordt het onstabiel en kunt u de controle verliezen.
- ◆ **Voordat u in muren, vloeren of plafonds boort, controleert u de locatie van bedrading en leidingen.**
- ◆ **Raak de punt van een boor niet aan net na het boren, aangezien deze heet kan zijn.**
- ◆ **Het bedoelde gebruik wordt beschreven in deze gebruiksaanwijzing.** Het gebruik van een accessoire of hulpstuk of het uitvoeren van enige handeling met dit gereedschap, anders dan aanbevolen in deze gebruiksaanwijzing, kan een risico op persoonlijk letsel en/of schade aan eigendommen met zich meebrengen.

Veiligheid van anderen

- ◆ **Laat nooit kinderen, personen met verminderde lichamelijke, zintuiglijke of geestelijke vermogens of gebrek aan ervaring en kennis of personen die niet bekend zijn met deze instructies de machine gebruiken,**
- ◆ **Lokale regelgeving kan de leeftijd van de bediener beperken.**
- ◆ **Gebruik de machine nooit als er mensen, vooral kinderen, of huisdieren in de buurt zijn.**

Aanvullende veiligheidsinstructies voor draadloze spijker machines

- ◆ **Draag altijd een veiligheidsbril.**
- ◆ **Draag altijd gehoorbescherming.**
- ◆ **Gebruik alleen bevestigingsmiddelen van het type dat in de handleiding wordt vermeld.**
- ◆ **Gebruik geen standaard voor het monteren van het gereedschap op een steun.**
- ◆ **Demonteer of blokkeer geen onderdelen van het gereedschap voor het indrijven van bevestigingsmiddelen, zoals de contactstrip.**
- ◆ **Controleer voor elk gebruik of de veiligheid en activeringsmechanisme naar behoren functioneert en dat alle moeren en bouten goed vastzitten.**

- ◆ **Gebruik het gereedschap niet als hamer.**
- ◆ **Gebruik het gereedschap niet op een ladder.**
- ◆ **Richt nooit een operationeel gereedschap voor het indrijven van bevestigingsmiddelen op uzelf of op een andere persoon.**
- ◆ **Houd het gereedschap tijdens het werk zo vast dat er bij een eventuele terugslag door een onderbreking van de energietoevoer of harde plekken in het werkstuk geen verwondingen aan het hoofd of het lichaam kunnen ontstaan.**
- ◆ **Gebruik het gereedschap voor het indrijven van bevestigingsmiddelen nooit in een vrije ruimte.**
- ◆ **Draag het gereedschap op de werkplek in het werkgebied met slechts één handgreep en nooit met de trekker ingedrukt.**
- ◆ **Houd rekening met de omstandigheden in het werkgebied. Bevestigingsmiddelen kunnen dunne werkstukken binnendringen of van hoeken en randen van het werkstuk glijden en zo mensen in gevaar brengen.**
- ◆ **Drijf geen bevestigingsmiddelen dicht bij de rand van het werkstuk.**
- ◆ **Rijd geen bevestigingsmiddelen bovenop andere bevestigingsmiddelen.**
- ◆ **Ga er altijd van uit dat het gereedschap bevestigingsmiddelen bevat.** Onzorgvuldige omgang met het spijkerapparaat kan leiden tot onverwacht afvuren van bevestigingsmiddelen en persoonlijk letsel.
- ◆ **Richt het apparaat niet op uzelf of iemand in de buurt.** Onverwachte activering zal de bevestiger ontladen en letsel veroorzaken.
- ◆ **Gebruik het gereedschap alleen als het stevig tegen het werkstuk is geplaatst.** Als het gereedschap geen contact maakt, kan de bevestiger van uw doel worden afgebogen.
- ◆ **Koppel het gereedschap los van de stroombron wanneer het bevestigingsmiddel in het gereedschap vast komt te zitten.** Tijdens het verwijderen van een vastgelopen bevestiger kan de spijkermaker per ongeluk worden geactiveerd als deze is aangesloten.
- ◆ **Gebruik dit gereedschap niet voor het bevestigen van elektrische kabels.** Het is niet ontworpen voor installatie van elektrische kabels en kan de isolatie van elektrische kabels beschadigen, waardoor elektrische schokken of brandgevaar kunnen ontstaan.

veiligheidsvoorschriften en de implementatie van veiligheidsvoorzieningen kunnen bepaalde restrictie's niet worden vermeden. Deze omvatten:

- ◆ Letsel veroorzaakt door het aanraken van draaiende/ bewegende onderdelen.
- ◆ Letsel veroorzaakt bij het vervangen van onderdelen, messen of accessoires.
- ◆ Verwondingen veroorzaakt door langdurig gebruik van gereedschap. Zorg ervoor dat u regelmatig een pauze neemt wanneer u gereedschap gedurende langere tijd gebruikt.
- ◆ Slechthorendheid.
- ◆ Gezondheidsrisico's veroorzaakt door het inademen van stof dat vrijkomt bij het gebruik van uw gereedschap (bijvoorbeeld: werken met hout, vooral eiken, beuken en MDF.)

Lawaai en trillingen

De opgegeven geluids- en trillingsemissiewaarden vermeld in de technische gegevens en de conformiteitsverklaring zijn gemeten in overeenstemming met een standaard testmethode van EN60745 en kunnen worden gebruikt om het ene gereedschap met het andere te vergelijken. De opgegeven geluids- en trillingsemissiewaarde kan ook worden gebruikt bij een voorlopige beoordeling van de blootstelling.

Waarschuwing! De geluids- en trillingsemissiewaarde tijdens daadwerkelijk gebruik van het elektrische gereedschap kan afwijken van de opgegeven waarde, afhankelijk van de manier waarop het gereedschap wordt gebruikt. Het geluids- en trillingsniveau kan boven het vermelde niveau stijgen. Bij het beoordelen van de blootstelling aan geluid en trillingen om de veiligheidsmaatregelen te bepalen die vereist zijn door 2002/44/EG om personen te beschermen die regelmatig elektrisch gereedschap gebruiken, moet bij een schatting van de blootstelling aan geluid en trillingen rekening worden gehouden met de werkelijke gebruiksomstandigheden en de manier waarop het gereedschap wordt gebruikt, inclusief rekening houden met alle onderdelen van de bedrijfscyclus, zoals de tijden waarop het gereedschap is uitgeschakeld en wanneer het inactief is naast de activeringstijd.

Etiketten op gereedschap

De volgende symbolen worden samen met de datumcode op het gereedschap weergegeven:



Waarschuwing! Om het risico op letsel te verkleinen, moet de gebruiker de gebruiksaanwijzing lezen.



Waarschuwing! Om het risico op letsel te verminderen, moet de gebruiker oor- en oogbescherming dragen.



Restrictie's

Bij het gebruik van het gereedschap kunnen extra restrictie's ontstaan die mogelijk niet in de meegeleverde veiligheidswaarschuwingen zijn opgenomen. Deze risico's kunnen ontstaan door verkeerd gebruik, langdurig gebruik etc.

Zelfs met de toepassing van de relevante



Let op: niet in de operatielamp staren.



Om het directe werkoppervlak te verlichten, evenals een indicator voor een bijna lege batterij en een vastgelopen nagelindicator.



Houd handen en lichaamsdelen uit de buurt directe werkgebied.

Aanvullende veiligheidsinstructies voor batterijen en opladers

Batterijen

- ◆ Probeer nooit om welke reden dan ook te openen.
- ◆ Stel de batterij niet bloot aan water.
- ◆ Bewaar niet op plaatsen waar de temperatuur hoger kan worden dan 40 °C.
- ◆ Laad alleen op bij omgevingstemperaturen tussen 10 °C en 40 °C.
- ◆ Volg bij het weggoien van batterijen de instructies in het hoofdstuk "Bescherming van het milieu".
- ◆ Beschadig/vervorm de batterij niet door doorboren of stoten, aangezien dit een risico op letsel en brand kan veroorzaken.
- ◆ Laad geen beschadigde batterijen op.
- ◆ Onder extreme omstandigheden kan batterijlekkage optreden. Als u merkt dat er vloeistof op de batterijen zit. Veeg de vloeistof er voorzichtig af met een doek. Vermijd huidcontact.
- ◆ Volg onderstaande instructies in geval van huid- of oogcontact.

Waarschuwing! De batterijvloeistof kan persoonlijk letsel of materiële schade veroorzaken. Bij huidcontact onmiddellijk met water afspoelen. Als roodheid, pijn of irritatie optreedt, medische hulp inroepen. Bij oogcontact onmiddellijk met schoon water spoelen en medische hulp inroepen.



Probeer geen beschadigde batterijen op te laden

Opladers

- ◆ Gebruik uw STANLEY FATMAX-oplader alleen om de batterij in het gereedschap waarbij het werd geleverd. Ander batterijen kunnen barsten, wat persoonlijk letsel en schade kan veroorzaken.
- ◆ Probeer nooit niet-oplaadbare batterijen op te laden.
- ◆ Laat defecte snoeren direct vervangen.
- ◆ Stel de oplader niet bloot aan water.
- ◆ Open de oplader niet.
- ◆ Test de oplader niet.

Symbolen op oplader



De oplader is alleen bedoeld voor gebruik binnenshuis.



Lees voor gebruik de gebruiksaanwijzing.

Electrische veiligheid



Je adapter is dubbel geïsoleerd; daarom is er geen aarddraad nodig. Controleer altijd of de netspanning overeenkomt met de spanning op het typeplaatje. Probeer nooit de adaptereenheid te vervangen door een gewone stekker.

Eigenschappen

Dit apparaat bevat enkele of alle van de volgende functies.

1. Trigger-schakelaar
2. Activeer de Lock-Off-schakelaar
3. Diepte-instelwiel
4. Diepte-instellingsindicator
5. Werklampen/batterij bijna leeg/blokkade/blokkade-indicator
6. Hendel voor het vrijgeven van de blokkering
7. Vergrendeling voor het verhelpen van storingen
8. Contactreis
9. Tijdschrift
10. Duwvergrendeling
11. Locatie van accessoirebevestiging
12. Batterij

Gebruik

Waarschuwing! Laat de tool in zijn eigen tempo werken. Niet overbelasten.

De batterij opladen (afb.A)

De batterij moet worden opgeladen voor het eerste gebruik en wanneer deze niet voldoende vermogen levert voor taken die voorheen gemakkelijk werden uitgevoerd.

De batterij kan warm worden tijdens het opladen; dit is normaal en duidt niet op een probleem.

Waarschuwing! Laad de batterij niet op bij omgevingstemperaturen onder 10 °C of boven 40 °C. Aanbevolen laadtemperatuur: ca. 24 °C.

Let op: De lader laadt een accu niet op als de celtemperatuur lager is dan ongeveer 10 °C of hoger dan 40 °C.

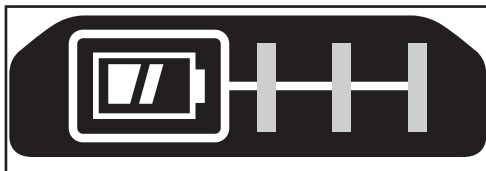
De batterij moet in de lader blijven en de lader begint automatisch op te laden wanneer de celtemperatuur opwarmt of afkoelt.

Opmerking: Laad de batterij vóór het eerste gebruik volledig op om maximale prestaties en levensduur van lithium-ionbatterijen te garanderen.

- ◆ Steek de oplader (13) in een geschikt stopcontact voordat de accu (12) plaatst.
- ◆ Het groene oplaadlampje (13a) knippert continu om aan te geven dat het oplaadproces is gestart.
- ◆ De voltooiing van het opladen wordt aangegeven doordat het groene oplaadlampje (13a) continu AAN blijft. De accu (12) is volledig opgeladen en kan op dit moment worden verwijderd en gebruikt of in de oplader (13) worden gelaten.
- ◆ Laad lege batterijen binnen 1 week op. De levensduur van de batterij wordt aanzienlijk verkort als deze in ontladen toestand wordt bewaard.

Indicator laadtoestand batterij (afb.B)

De batterij is voorzien van een laadstatusindicator om snel de levensduur van de batterij te bepalen, zoals weergegeven in afbeelding B. Door op de knop voor de laadstatus (12a) te drukken, kunt u eenvoudig de resterende lading in de batterij bekijken, zoals weergegeven in afbeelding B.



Oplader LED-modi

	Opladen: Groene LED Onderbroken	
	Volledig opgeladen: Groene LED brandt continu	
	Hot/Cold Pack-vertraging: Groene LED Onderbroken Rode LED continu	

Opmerking: de compatibele oplader(s) kunnen een defecte accu niet opladen. De lader zal een defect batterijpakket aangeven door te weigeren op te lichten.

Opmerking: dit kan ook een probleem met een oplader betekenen. Als de oplader een probleem aangeeft, laat de oplader en de accu dan testen bij een geautoriseerd servicecentrum.

De batterij in de lader laten

De oplader en het batterijpakket kunnen aangesloten blijven terwijl de LED voor onbepaalde tijd blijft branden. De lader zorgt ervoor dat de accu fris en volledig opgeladen blijft.

Hot/Cold Pack-vertraging

Wanneer de lader detecteert dat een batterij te warm of te koud is, start hij automatisch een Hot/Cold Pack-vertraging, de groene LED (13a) zal met tussenpozen knipperen, terwijl de rode LED (13b) continu zal blijven branden, waardoor het opladen wordt onderbroken tot de batterij een geschikte temperatuur heeft bereikt. De lader dan schakelt automatisch over naar de pack-oplaadmodus. Deze functie zorgt voor een maximale levensduur van de batterij.

De accu installeren en verwijderen uit het gereedschap

Waarschuwing! Zorg ervoor dat de vergrendelingsknop is ingeschakeld om te voorkomen dat de schakelaar wordt bediend voordat u de batterij verwijderd of installeert.

Accu installeren (Afb.C)

- ◆ Plaats de accu stevig in het gereedschap totdat u een klik hoort, zoals weergegeven in afbeelding C. Zorg ervoor dat de accu volledig op zijn plaats zit en volledig op zijn plaats is vergrendeld.

De accu verwijderen (Fig. D)

- ◆ Druk de accu-ontgrendelingsknop (12b) in zoals weergegeven in afbeelding D en trek de accu uit het gereedschap.

Hanghaak (afb.E, F)

Waarschuwing! Verwijder spijkers uit het magazijn voordat u ze maakt aanpassingen of onderhoud aan dit gereedschap.

Als u dit niet doet, kan dit het gevolg zijn bij ernstig letsel.

Waarschuwing! Om het risico op ernstig persoonlijk letsel te verminderen, plaats de vooruit/achteruit-knop in de vergrendelde stand of schakel het gereedschap uit en koppel de accu los voordat u begint eventuele aanpassingen of het verwijderen/installeren van hulpstukken of accessoires. Onbedoeld starten kan letsel veroorzaken.

Waarschuwing! Om het risico op ernstig persoonlijk letsel te verminderen, dient u ervoor te zorgen de schroef (15) die de ophanghaak vasthoudt, zit goed vast.

Let op: Plaats het gereedschap op zijn kant op een stal wanneer het niet in gebruik is oppervlak waar het geen struikel- of valgevaar oplevert. Sommige gereedschappen met grote accupacks blijven rechtop staan accu, maar kan gemakkelijk worden omgestoten.

Opmerking: Gebruik bij het bevestigen of vervangen van de ophanghaak (14), alleen de meegeleverde schroef (15). Zorg ervoor dat u veilig draai de schroef vast.

Als de haak helemaal niet gewenst is, kan deze worden verwijderd het gereedschap.

Om de ophanghaak te verplaatsen, verwijdert u de schroef (15) die de ophanghaak vasthoudt hang de haak (14) op zijn plaats.

Opmerking: er zijn verschillende trackwall-haken en opslagconfiguraties beschikbaar.

Bezoek onze website www.stanley.eu/3 voor meer informatie.

Operatie

Waarschuwing! Lees het gedeelte met de titel

Veiligheidswaarschuwingen voor spijkermachines aan het begin van deze handleiding. Draag altijd oog en oor bescherming bij het gebruik van dit gereedschap.

Houd de spijkermaker weg van uzelf en anderen gericht. Voer voor een veilig gebruik de volgende procedures en controles uit voor elk gebruik van de spijkermachine.

Waarschuwing! Om het risico op persoonlijk letsel te verkleinen, moet u de accu loskoppelen van het gereedschap en de trekker vergrendelen voordat u onderhoud uitvoert, een vastgelopen spijker verwijderd, het werkgebied verlaat, het gereedschap naar een andere locatie verplaatst of het gereedschap aan een andere persoon overhandigt.

Waarschuwing! Houd uw vingers UIT de buurt van de trekker wanneer u geen bevestigingsmiddelen indrukt om onbedoeld afvuren te voorkomen. Draag het gereedschap nooit met een vinger aan de trekker.

- ◆ Draag geschikte oog-, gehoor- en ademhalingsbescherming.
- ◆ Verwijder de accu uit het gereedschap en schakel de trekker uit.
- ◆ Vergrendel de pusher in de achterste stand en verwijder alle nagelstrips uit het magazijn.
- ◆ Controleer de soepele en juiste werking van contactschakelaars en drukmechanismen. Gebruik het gereedschap niet als een van beide onderdelen niet goed functioneert.
- ◆ Gebruik nooit gereedschap met beschadigde onderdelen.

Waarschuwing! Bedien het gereedschap met bevestigingsmiddelen met een snelheid van niet meer dan 30 keer/min.

Om de spijkermaker te bedienen

Waarschuwing! De contactschakelaar moet worden ingedrukt, gevolgd door een volledige trekkracht voor elke spijker, gevolgd door het loslaten van zowel de contactschakelaar als de trekker na elke spijker.

Waarschuwing! De batterij moet altijd worden verwijderd en de trekker moet altijd worden vergrendeld wanneer er aanpassingen worden gemaakt of wanneer het gereedschap niet in gebruik is.

- ◆ Druk de contactstrip volledig tegen het werkoppervlak.

- ◆ Trek de trekker volledig over en de motor start. (spijker zal in het werkoppervlak rijden).
- ◆ Laat de trekker los.
- ◆ Til de contactschakelaar van het werkoppervlak.
- ◆ Herhaal de bovenstaande 4 stappen voor de volgende toepassing.

Vorbereiding van het gereedschap

Waarschuwing! NOOIT olie, smeermiddelen of reinigingsmiddelen in het gereedschap spuiten of op een andere manier aanbrengen. Dit kan de levensduur en prestaties van het gereedschap ernstig aantasten.

Waarschuwing! De batterij moet altijd worden verwijderd en de trekker moet altijd worden vergrendeld wanneer er aanpassingen worden gemaakt of wanneer het gereedschap niet in gebruik is.

- ◆ Lees het hoofdstuk Veiligheidsinstructies van deze handleiding.
- ◆ Draag oog- en gehoorbescherming.
- ◆ Verwijder de accu uit het gereedschap en laad deze volledig op.
- ◆ Zorg ervoor dat het magazijn leeg is van alle bevestigingsmiddelen.
- ◆ Controleer de soepele en juiste werking van contactschakelaars en drukmechanismen. Gebruik het gereedschap niet als een van beide onderdelen niet goed functioneert.
- ◆ Houd het gereedschap van uzelf en anderen af gericht.
- ◆ Plaats een volledig opgeladen accu.

Correcte handpositie (Fig. G)

Waarschuwing! Om het risico op ernstig persoonlijk letsel te verkleinen, dient u ALTIJD de handpositie in de juiste positie te gebruiken, zoals weergegeven in afbeelding G.

Waarschuwing! Om het risico op ernstig persoonlijk letsel te verminderen, ALTIJD stevig vasthouden in afwachting van een plotselinge reactie. Voor een juiste handpositie is één hand op de hoofdhandgreep vereist.

Diepte aanpassen (Fig. H)

De diepte waarmee de bevestiger wordt aangedreven, kan worden aangepast met behulp van het diepte-instelwiel (3) aan de zijkant van het gereedschap.

Waarschuwing! Om het risico van ernstig letsel door onbedoelde activering te verminderen wanneer u probeert de diepte aan te passen, moet u altijd:

- ◆ Batterijpakket verwijderen.
- ◆ Activeer de triggervergrendeling.
- ◆ Vermijd contact met de trekker tijdens aanpassingen.

Diepte-instellingen zijn op een glijdende schaal (4). De linkerkant geeft het diepste aan en de rechterkant geeft het ondiepste aan.

- ◆ Om een spijker dieper te slaan, draait u het diepte-instelwiel (3) naar beneden. Hierdoor schuift de diepte-instellingsindicator (4) naar links op de schaal.
- ◆ Om een spijker ondieper te slaan, draait u het diepte-instelwiel (3) naar boven. Hierdoor schuift de diepte-instellingsindicator (4) naar rechts op de schaal.



Gereedschap in- en uitladen (afb. I, J)

Waarschuwing! Houd het gereedschap weg van uzelf en anderen gericht. Ernstig persoonlijk letsel kan het gevolg zijn.

Waarschuwing! Laad nooit spijkers terwijl de contactschakelaar of trekker geactiveerd is.

Waarschuwing! Verwijder altijd de batterij voordat u spijkers laadt of verwijderd.

Waarschuwing! De batterij moet altijd worden verwijderd en de trekker moet altijd worden vergrendeld wanneer er aanpassingen worden gemaakt of wanneer het gereedschap niet in gebruik is.

Het laden van het gereedschap

- ◆ Duwvergrendeling (10) indrukken en magazijn naar beneden trekken.
- ◆ Steek bevestigingsmiddelen in de zijkant van het magazijn. Zorg ervoor dat de uiteinden van de bevestigingsmiddelen naar de voorkant van het magazijn zijn geplaatst, onder de nagelgeleider (16) in het nagelkanaal.
- ◆ Duw het magazijn dicht tot het vastklikt.

Waarschuwing! Houd vingers uit de buurt van de stamper om letsel te voorkomen.

Het gereedschap uitladen

Waarschuwing! De accu moet altijd worden verwijderd en de trekker moet altijd worden vergrendeld wanneer er aanpassingen worden gemaakt of wanneer het gereedschap niet in gebruik is.

- ◆ Druk op de nagelduwer en trek het magazijn naar beneden.
- ◆ Kantel het gereedschap omhoog totdat de spijkers vrij uit de tijdschrift
- ◆ Open de klep voor het verwijderen van papierstoringen (7) op het neusstuk om te controleren of er geen spijkers meer zijn.

Werklampen (Fig. K)

Aan weerszijden van het spijkerapparaat bevinden zich werklampen (5). Werklampen gaan aan bij het indrukken van de contactschakelaar.

Opmerking: Deze werklampen zijn bedoeld om het directe werkoppervlak te verlichten en zijn niet bedoeld om als zaklamp te worden gebruikt.

Lage batterij-indicator:

De werklamp aan de linkerkant knippert vier keer achter elkaar en gaat dan uit om aan te geven dat de batterij bijna leeg is.



Vastgelopen spijkerindicator:

De rechter werklamp knippert continu als een spijker vast komt te zitten in het neusstuk (zie Een vastgelopen spijker verwijderen).

Vrijgave blokkering (Fig. L)

Waarschuwing! Als er een blokkade optreedt, schakelt de tool zichzelf uit en moet u deze resetten. Volg hiervoor de instructies voor het wissen van een vastgelopen toestand. Verwijder vervolgens de batterij en plaats de batterij opnieuw. De tool is nu operationeel.

Als de spijkermaker wordt gebruikt in een rigoureuze toepassing waar alles beschikbare energie in de motor wordt gebruikt om een bevestigingsmiddel aan te drijven, kan het gereedschap vastlopen. Het mes van de aandrijving heeft de rijcyclus niet voltooid en de vastgelopen/afgeslagen indicator gaat knipperen.

Draai aan de blokkeerhendel (6) op het gereedschap en het mechanisme wordt vrijgegeven zoals weergegeven in afbeelding L.

Opmerking! Het gereedschap schakelt zichzelf uit en wordt niet gereset totdat de batterij is verwijderd en opnieuw is geplaatst. Als het apparaat blijft vastlopen, controleer dan het materiaal en de lengte van de bevestigingsmiddelen om er zeker van te zijn dat het niet een te rigoureuze toepassing is. Als de bestuurder mes niet automatisch terugkeert naar de uitgangspositie na het draaien van de blokkeerhendel, ga verder met "een vastgelopen spijker verwijderen".

Een vastgelopen nagel verwijderen (Fig. M, N)

Waarschuwing! Om het risico op persoonlijk letsel te verkleinen, koppelt u de accu los van het gereedschap en activeert u de trekkervergrendeling voordat u onderhoud uitvoert of een vastgelopen nagel verwijderd.

Als een spijker vast komt te zitten in het neusstuk, houd het

gereedschap dan van u af gericht en volg deze instructies om het volgende te verhelpen:

- ◆ Verwijder de accu uit het gereedschap en schakel de trekker uit.
- ◆ Verwijder eventuele geladen spijkers. Raadpleeg Het gereedschap laden en lossen.
- ◆ Til de vergrendeling voor het verwijderen van papierstoringen 7 op en trek deze vervolgens omhoog om de voorklep 17 te openen.
- ◆ Verbogen nagel verwijderen, indien nodig met een tang.
- ◆ Als het aandrijfblad zich in de neerwaartse positie bevindt, gebruikt u genoeg kracht om de ontgrendelingshendel 6 vast te zetten om deze volledig naar het andere uiteinde van de sleuf in de behuizingen te schuiven.
- ◆ Sluit de voordeur en plaats de vergrendelingspen onder de twee armen 18 op het neusstuk. Druk op de vergrendeling totdat deze vastklikt.
- ◆ Plaats de batterij terug.

Waarschuwing! Als er een storing optreedt, schakelt het gereedschap zichzelf uit en moet u het resetten. Volg hiervoor de instructies voor het verwijderen van de vastgelopen nagel. Verwijder vervolgens de batterij en plaats de batterij opnieuw. De tool is nu operationeel.

NB! Mochten spijkers regelmatig vast blijven zitten tijdens het contact, laat het gereedschap dan nakijken door een geautoriseerd STANLEY FATMAX-servicecentrum.

Bediening bij koud weer

Bij gebruik van gereedschap bij temperaturen onder het vriespunt:

- ◆ Houd het gereedschap vóór gebruik zo warm mogelijk.
- ◆ Activeer het gereedschap 5 of 6 keer in schroot voordat u het gebruikt.

Werking bij warm weer

Het gereedschap zou normaal moeten werken. Houd het gereedschap echter uit direct zonlicht, aangezien overmatige hitte bumpers en andere rubberen onderdelen kan aantasten, wat resulteert in meer onderhoud.

No-mar tip (Fig. 0)

Het gereedschap is uitgerust met een reserve no-mar tip (19) die zich aan de zijkant van het nagelmagazijn bevindt.

Om de no-mar-pad te vervangen, trekt u gewoon de oude no-mar-pad eraf en plaatst u de nieuwe no-mar-pad terug op de contactstrip (8).

Vervangingsonderdelen

Waarschuwing! Om het risico op persoonlijk letsel te verkleinen, koppelt u de accu los van het gereedschap en activeert u de trekvergrendeling voordat u onderhoud uitvoert of een vastgelopen nagel verwijdert. De tool is uitgerust met een reserve no mar-tip aan de zijkant van

het nagelmagazijn.

Gebruik alleen identieke vervangende onderdelen. Bezoek onze servicewebsite op www.stanley.eu/3co.uk voor een onderdelenlijst of om onderdelen te bestellen. U kunt ook onderdelen bestellen bij uw dichtstbijzijnde STANLEY FATMAX Fabrieksservicecentrum of STANLEY FATMAX Geautoriseerde Garantie.

Accessoires

Waarschuwing! Aangezien andere accessoires dan die aangeboden door STANLEY FATMAX niet zijn getest met dit product, kan het gebruik van dergelijke accessoires met dit gereedschap gevaarlijk zijn. Om het risico op letsel te verkleinen, mogen alleen door STANLEY FATMAX aanbevolen accessoires met dit product worden gebruikt. Aanbevolen accessoires voor gebruik met uw gereedschap zijn tegen meerprijs verkrijgbaar bij uw lokale dealer of geautoriseerd Servicecentrum.

Probleemoplossen

Volg de volgende instructies als uw apparaat niet goed lijkt te werken.

Als dit het probleem niet oplost, neem dan contact op met uw plaatselijke STANLEY FATMAX-reparateur.

Waarschuwing! Haal de stekker van het apparaat uit het stopcontact voordat u verder gaat.

Probleem	Mogelijke oorzaak	Mogelijke oplossing
Eenheid start niet.	Accu is niet goed geplaatst. Batterijpakket niet opgeladen. Triggervergrendeling is betrokken.	Controleer de installatie van het batterijpakket. Controleer de oplaadvereisten voor de batterij. Schakel de triggervergrendeling uit.
Hulpmiddel niet bedienen. (koplampen aan, motor loopt niet)	Motor stopt na 2 seconden.	Normale operatie; laat trekker of contactrip los en druk opnieuw in.
Gereedschap werkt niet. (Koplampen knipperen)	Lage batterijlading of beschadigde batterij.	Batterij opladen of vervangen.
Gereedschap werkt niet. (Koplampen knipperen continu)	Vastgelopen bevestigingsmiddel / gereedschap vastgelopen. Vastgelopen mechanisme	Verwijder de batterij, draai aan de ontgrendelingshendel. Verwijder de vastgelopen sluiting en plaats de batterij terug. Raadpleeg een geautoriseerd servicecentrum.
Gereedschap werkt niet. (Koplampen aan, motor draait, aandrijfblad zit vast)		Raadpleeg een geautoriseerd servicecentrum.

Probleem	Mogelijke oorzaak	Mogelijke oplossing
Tool werkt, maar doet het wel draai het bevestigingsmiddel niet volledig aan.	Lage batterijlading of beschadigde batterij. Diepte-instelling te ondiep ingesteld. Gereedschap niet stevig op het werkstuk aangebracht. Materiaal en bevestigingslengte te rigoureuze toepassing.	Batterij opladen of vervangen. Draai het diepte-instelwiel naar een diepere instelling. Lees de gebruiksaanwijzing. Kies het juiste materiaal of de juiste lengte van het bevestigingsmiddel.

Onderhoud

Uw STANLEY FATMAX apparaat/gereedschap met snoer/ snoer is ontworpen om langdurig te functioneren met een minimum aan onderhoud. Voortdurende bevredigende werking is afhankelijk van goed onderhoud van gereedschap/apparaat en regelmatige reiniging.

Waarschuwing! Schakel het apparaat uit en haal de stekker uit het stopcontact voordat u met schoonmaken begint.

- ◆ Dirt and grease may be removed from the exterior of the appliance using a cloth.

Waarschuwing! Gebruik NOOIT oplosmiddelen of andere agressieve chemicaliën om de niet-metalen onderdelen van het apparaat schoon te maken. Deze chemicaliën kunnen de gebruikte materialen in deze onderdelen verzwakken. Gebruik een doek die alleen is bevochtigd met water en milde zeep. Laat nooit vloeistof in het apparaat komen; dompel nooit enig onderdeel van het apparaat onder in een vloeistof.

Waarschuwing! NOOIT smeermiddelen of reinigingsoplosmiddelen in het gereedschap spuiten of op een andere manier aanbrengen. Dit kan de levensduur en prestaties van het gereedschap ernstig aantasten.

Service notices

Dit product kan niet door de gebruiker worden onderhouden. Er zijn geen onderdelen die door de gebruiker kunnen worden onderhouden in het spijkerapparaat. Onderhoud door een geautoriseerd servicecentrum is vereist om schade aan statisch gevoelige interne componenten te voorkomen.

Het milieu beschermen



Aparte inzameling. Producten en batterijen die met dit symbool zijn gemarkeerd, mogen niet bij het normale huisvuil worden weggegooid.

Producten en batterijen bevatten materialen die kunnen worden teruggewonnen of gerecycled, waardoor de vraag naar grondstoffen afneemt.

Recycle elektrische producten en batterijen volgens de plaatselijke voorschriften. Meer informatie is te vinden op www.2helpU.com

Technische data

		SFMCN618 Type:1
Spanning	V_{DC}	18
Type batterij		Li-Ion
Activerende modus		Sequential
Tijdschrift hoek		Straight
Geen laadsnelheid	/min	9000
Energie aandrijven	ap-prox	50J
Gewicht (zonder gereedschap)	kg	2,43

Bevestigingsmiddelen			
Lengte	mm		16 - 50
Schachtdiameter	mm		1,27
Angle			Straight

Dit gereedschap is een kale eenheid, maar kan worden gebruikt met de opladers in de volgende tabel.

Oplader		SFMCB10	SFMCB11	SFMCB12	SFMCB14
Ingangsspanning	V_{AC}	230	230	230	230
Uitgangsspanning	V_{DC}	18	18	18	18
Current	A	1,25	1,25	2	4

Dit gereedschap is een kale eenheid, maar kan worden gebruikt met de batterijen in de volgende tabel.

Accu		SFMCB201	SFMCB202	SFMCB204	SFMCB206
Spanning	V_{DC}	18	18	18	18
Capaciteit	Ah	1,5	2,0	4,0	6,0
Type		Li-Ion	Li-Ion	Li-Ion	Li-Ion

Geluidsniveau volgens EN60745:

Geluidsdruk (L_{pA}) 84 dB(A), onzekerheid (K) 3 dB(A)
 Geluidskracht (L_{WA}) 95 dB(A), onzekerheid (K) 3 dB(A)

Totale trillingswaarden (triax vectorsom) volgens EN60745:

Nagels nieten (a_{n1}) 2,8 m/s², onzekerheid (K) 1,8 m/s²

EC declaration of conformity

MACHINERY DIRECTIVE



SFMCN618 - Snoerloze spijkermachine

STANLEY FATMAX verklaart dat deze onder beschreven producten 2006/42/EC; EN 60745-1:2009 + A11:2010; EN 60745-2-16:2010.

Deze producten voldoen ook aan de richtlijn 2014/30/EU and 2011/65/EU.

Neem voor meer informatie contact op met STANLEY FATMAX op het volgende adres of raadpleeg de achterkant van de handleiding.

Ondergetekende is verantwoordelijk voor het samenstellen van het technisch dossier en legt deze verklaring af namens STANLEY FATMAX.

Patrick Diepenbach

Patrick Diepenbach
Algemeen directeur, Benelux
STANLEY FATMAX,
Egide Walschaertsstraat 14-18
2800 Mechelen, België
30/05/2023

Garantie

STANLEY FATMAX heeft vertrouwen in de kwaliteit van zijn producten en biedt consumenten een garantie van 12 maanden vanaf de datum van aankoop.

Deze garantie vormt een aanvulling op en doet geen afbreuk aan uw wettelijke rechten. De garantie is geldig op het grondgebied van de lidstaten van de Europese Unie en de Europese Vrijhandelszone en het Verenigd Koninkrijk. Om aanspraak te kunnen maken op de garantie, moet de claim in overeenstemming zijn met de algemene voorwaarden van STANLEY FATMAX en moet u een aankoopbewijs overleggen aan de verkoper of een geautoriseerde reparateur. De algemene voorwaarden van de STANLEY FATMAX-garantie van 1 jaar en de locatie van uw dichtstbijzijnde erkende reparateur kunnen worden verkregen op internet op www.2helpU.com, of door contact op te nemen met uw lokale STANLEY FATMAX-vestiging op het adres dat in deze handleiding wordt vermeld.

Bezoek onze website www.stanley.eu/3 om u te registreren uw nieuwe STANLEY FATMAX-product en ontvang updates over nieuwe producten en speciale aanbiedingen.

Uso previsto

Su clavadora a batería STANLEY FATMAX SFMCN618 ha sido diseñada para clavar. Este aparato está destinado a usuarios profesionales y privados, no profesionales.

Instrucciones de seguridad

Advertencias generales de seguridad para herramientas eléctricas



¡Advertencia! Lea todas las advertencias de seguridad, instrucciones, ilustraciones y especificaciones provistas con esta herramienta eléctrica. El incumplimiento de las advertencias e instrucciones enumeradas a continuación puede provocar descargas eléctricas, incendios y/o lesiones graves.

Guarde todas las advertencias e instrucciones para referencia futura. El término "herramienta eléctrica" en todas las advertencias enumeradas a continuación se refiere a su herramienta eléctrica operada por la red eléctrica (con cable) o a su herramienta eléctrica operada por batería (inalámbrica).

1. **seguridad del area de trabajo**
 - a. **Mantenga el área de trabajo limpia y bien iluminada.** Las áreas desordenadas u oscuras invitan a los accidentes.
 - b. **No utilice herramientas eléctricas en atmósferas explosivas, como en presencia de líquidos, gases o polvos inflamables.** Las herramientas eléctricas crean chispas que pueden encender el polvo o los humos.
 - c. **Mantenga a los niños y transeúntes alejados mientras opera una herramienta eléctrica.** Las distracciones pueden hacer que pierda el control.
2. **Seguridad eléctrica**
 - a. **No enchufes de las herramientas eléctricas deben coincidir con el tomacorriente.** Nunca modifique el enchufe de ninguna manera. No utilice enchufes adaptadores con herramientas eléctricas conectadas a tierra. Los enchufes no modificados y los tomacorrientes coincidentes reducirán el riesgo de descarga eléctrica.
 - b. **Evite el contacto del cuerpo con superficies conectadas a tierra o conectadas a tierra, como tuberías, radiadores, estufas y refrigeradores.** Existe un mayor riesgo de descarga eléctrica si su cuerpo está conectado a tierra o conectado a tierra.
 - c. **No exponga las herramientas eléctricas a la lluvia ni a la humedad.** Si entra agua en una herramienta eléctrica, aumentará el riesgo de descarga eléctrica.
 - d. **No maltrate el cable.** Nunca utilice el cable para transportar, tirar o desencharcar la herramienta eléctrica.

Mantenga el cable alejado del calor, el aceite, los bordes afilados o las piezas móviles. Los cables dañados o enredados aumentan el riesgo de descarga eléctrica.

- e. **Cuando opere una herramienta eléctrica al aire libre, use un cable de extensión adecuado para uso al aire libre.** El uso de un cable adecuado para uso en exteriores reduce el riesgo de descarga eléctrica.
- f. **Si es inevitable utilizar una herramienta eléctrica en un lugar húmedo, utilice un suministro protegido por un dispositivo de corriente residual (RCD).** El uso de un RCD reduce el riesgo de descarga eléctrica.

3. Seguridad personal

- a. **Manténgase alerta, mire lo que está haciendo y use el sentido común cuando opere una herramienta eléctrica.** No use una herramienta eléctrica si está cansado o bajo la influencia de drogas, alcohol o medicamentos. Un momento de falta de atención mientras opera herramientas eléctricas puede resultar en lesiones personales graves.
- b. **Use equipo de protección personal. Siempre use protección para los ojos.** El equipo de protección, como una máscara contra el polvo, zapatos de seguridad antideslizantes, un casco o protección para los oídos, utilizados para las condiciones apropiadas, reducirán las lesiones personales.
- c. **Evite el arranque involuntario.** Asegúrese de que el interruptor esté en la posición de apagado antes de conectarlo a la fuente de alimentación y/o al paquete de baterías, levantar o transportar la herramienta. Transportar herramientas eléctricas con el dedo en el interruptor o energizar herramientas eléctricas que tienen el interruptor encendido invita a los accidentes.
- d. **Retire cualquier llave o llave de ajuste antes de encender la herramienta eléctrica.** Una llave inglesa o una llave que se deje unida a una pieza giratoria de la herramienta eléctrica puede provocar lesiones personales.
- e. **No se extralimite.** Mantenga la postura y el equilibrio en todo momento. Esto permite un mejor control de la herramienta eléctrica en situaciones inesperadas.
- f. **Vístete apropiadamente.** No use ropa suelta ni joyas. Mantenga su cabello, ropa y guantes alejados de las piezas móviles. La ropa suelta, las joyas o el pelo largo pueden quedar atrapados en las piezas móviles.
- g. **Si se proporcionan dispositivos para la conexión de las instalaciones de recolección y extracción de polvo, asegúrese de que estén conectados y se utilicen correctamente.** El uso de recolección de polvo puede reducir los peligros relacionados con el polvo.
- h. **No permita que la familiaridad adquirida por el uso frecuente de Las herramientas le permitan volverse complaciente e ignorar Principios de seguridad de las herramientas.**

Una acción descuidada puede causar lesiones graves en una fracción de segundo.

4. Uso y cuidado de herramientas eléctricas

- a. **No fuerce la herramienta eléctrica.** Utilice la herramienta eléctrica correcta para su aplicación. La herramienta eléctrica correcta hará el trabajo mejor y de forma más segura al ritmo para el que fue diseñada.
 - b. **No use la herramienta eléctrica si el interruptor no la enciende y apaga.** Cualquier herramienta eléctrica que no se pueda controlar con el interruptor es peligrosa y debe repararse.
 - c. **Desconecte el enchufe de la fuente de alimentación y/o el paquete de baterías de la herramienta eléctrica antes de realizar ajustes, cambiar accesorios o almacenar herramientas eléctricas.** Estas medidas preventivas de seguridad reducen el riesgo de que la herramienta eléctrica arranque accidentalmente.
 - d. **Guarde las herramientas eléctricas inactivas fuera del alcance de los niños y no permita que personas que no estén familiarizadas con la herramienta eléctrica o estas instrucciones operen la herramienta eléctrica.** Las herramientas eléctricas son peligrosas en manos de usuarios no capacitados.
 - e. **Mantenimiento de herramientas eléctricas y accesorios.** Compruebe si hay piezas móviles desalineadas o atascadas, piezas rotas y cualquier otra condición que pueda afectar el funcionamiento de las herramientas eléctricas. Si está dañada, haga reparar la herramienta eléctrica antes de usarla. Muchos accidentes son causados por herramientas eléctricas mal mantenidas.
 - f. **Mantenga las herramientas de corte afiladas y limpias.** Las herramientas de corte bien mantenidas con filos afilados tienen menos probabilidades de atascarse y son más fáciles de controlar.
 - g. **Utilice la herramienta eléctrica, los accesorios y las puntas de la herramienta, etc. de acuerdo con estas instrucciones, teniendo en cuenta las condiciones de trabajo y el trabajo a realizar.** El uso de la herramienta eléctrica para operaciones diferentes a las previstas podría resultar en una situación peligrosa.
 - h. **Mantenga las manijas y las superficies de agarre secas, limpias y libre de aceite y grasa.** Mangos resbaladizos y agarre superficies no permiten el manejo y control seguro del herramienta en situaciones inesperadas.
- ### 5. Uso y cuidado de herramientas a batería
- a. **Recargue solo con el cargador especificado por el fabricante.** Un cargador que sea adecuado para un tipo de paquete de baterías puede crear un riesgo de incendio cuando se usa con otro paquete de baterías.

- b. **Use herramientas eléctricas solo con paquetes de baterías designados específicamente.** El uso de cualquier otro paquete de baterías puede crear un riesgo de lesiones e incendio.
- c. **Cuando el paquete de baterías no esté en uso, manténgalo alejado de otros objetos metálicos, como sujetapapeles, monedas, llaves, clavos, tornillos u otros objetos metálicos pequeños, que puedan hacer una conexión de un terminal a otro.** Hacer un cortocircuito entre los terminales de la batería puede causar quemaduras o un incendio.
- d. **En condiciones abusivas, es posible que salga líquido de la batería; evitar el contacto.** Si ocurre contacto accidentalmente, enjuague con agua. Si el líquido entra en contacto con los ojos, busque además ayuda médica. El líquido expulsado de la batería puede causar irritación o quemaduras.
- e. **No utilice una batería o una herramienta que esté dañada o modificada.** Las baterías dañadas o modificadas pueden exhibir un comportamiento impredecible que resulte en un incendio, explosión o riesgo de lesiones.
- f. **No exponga el paquete de baterías ni la herramienta al fuego ni a temperaturas excesivas.** La exposición al fuego o a una temperatura superior a 130 °C puede provocar una explosión.
- g. **Siga todas las instrucciones de carga y no cargue la batería o la herramienta fuera del rango de temperatura especificado en las instrucciones.** La carga incorrecta o a temperaturas fuera del rango especificado puede dañar la batería y aumentar el riesgo de incendio.

6. Servicio

- a. **Haga que su herramienta eléctrica sea reparada por una persona calificada que utilice únicamente piezas de repuesto idénticas.** Esto garantizará que se mantenga la seguridad de la herramienta eléctrica.
- b. **Nunca repare paquetes de BATERÍA dañados.** El servicio de los paquetes de BATERÍAS solo debe ser realizado por el fabricante o proveedores de servicio autorizados.

Advertencias de seguridad adicionales para herramientas eléctricas

- ◆ **Utilice los mangos auxiliares suministrados con la herramienta.** La pérdida de control puede causar lesiones personales.
- ◆ **Sujete la herramienta eléctrica por las superficies de agarre aisladas cuando realice una operación en la que el accesorio de corte pueda entrar en contacto con cables ocultos.**

Un accesorio de corte que entre en contacto con un cable "con corriente" puede hacer que las partes metálicas expuestas de la herramienta eléctrica estén "con corriente" y podría provocar una descarga eléctrica al operador.

- ◆ **Sujete la herramienta eléctrica por las superficies de agarre aisladas cuando realice una operación en la que el sujetador pueda entrar en contacto con cables ocultos.** Los sujetadores que hacen contacto con un cable "vivo" pueden hacer que las partes metálicas expuestas de la herramienta eléctrica estén "vivas" y podrían causar una descarga eléctrica al operador.
- ◆ **Use abrazaderas u otra forma práctica de asegurar y sostener la pieza de trabajo en una plataforma estable.** Sostener el trabajo con la mano o contra su cuerpo lo deja inestable y puede provocar la pérdida de control.
- ◆ **Antes de perforar paredes, pisos o techos, verifique la ubicación del cableado y las tuberías.**
- ◆ **Evite tocar la punta de una broca justo después de taladrar, ya que puede estar caliente.**
- ◆ **El uso previsto se describe en este manual de instrucciones.** El uso de cualquier accesorio o complemento o la realización de cualquier operación con esta herramienta que no sean los recomendados en este manual de instrucciones puede presentar un riesgo de lesiones personales y/o daños a la propiedad.

Seguridad de los demás

- ◆ **Nunca permita que niños, personas con capacidades físicas, sensoriales o mentales reducidas o falta de experiencia y conocimiento o personas que no estén familiarizadas con estas instrucciones usen la máquina,**
- ◆ **Las regulaciones locales pueden restringir la edad del operador.**
- ◆ **Nunca opere la máquina mientras haya personas, especialmente niños o mascotas cerca.**

Instrucciones de seguridad adicionales para clavadoras inalámbricas

- ◆ **Utilice siempre gafas de seguridad.**
- ◆ **Siempre use protección para los oídos.**
- ◆ **Utilice únicamente sujetadores del tipo especificado en el manual.**
- ◆ **No utilice soportes para montar la herramienta en un apoyo.**
- ◆ **No desmonte ni bloquee ninguna pieza de la herramienta de colocación de sujetadores, como el disparador por contacto.**
- ◆ **Antes de cada operación comprobar que las condiciones de seguridad y mecanismo de disparo funciona correctamente y que todas las tuercas y pernos están apretados.**

- ◆ No utilice la herramienta como un martillo.
- ◆ No utilice la herramienta en una escalera.
- ◆ Nunca apunte con ninguna herramienta operativa para colocar sujetadores hacia usted o hacia cualquier otra persona.
- ◆ Mientras trabaja, sostenga la herramienta de tal manera que no pueda causar lesiones en la cabeza o el cuerpo en caso de un posible retroceso debido a una interrupción en el suministro de energía o áreas duras dentro de la pieza de trabajo.
- ◆ Nunca accione la herramienta de conducción de sujetadores en el espacio libre.
- ◆ En la zona de trabajo, transporte la herramienta en el lugar de trabajo utilizando una sola empuñadura y nunca con el gatillo accionado.
- ◆ Considere las condiciones en el área de trabajo Los sujetadores pueden penetrar piezas de trabajo delgadas o deslizarse por las esquinas y los bordes de la pieza de trabajo y, por lo tanto, poner en riesgo a las personas.
- ◆ No coloque sujetadores cerca del borde de la pieza de trabajo.
- ◆ No coloque sujetadores encima de otros sujetadores.
- ◆ Siempre asuma que la herramienta contiene sujetadores. El manejo descuidado de la clavadora puede resultar en disparos inesperados de sujetadores y lesiones personales.
- ◆ No apunte la herramienta hacia usted ni hacia nadie que esté cerca. La activación inesperada descargará el sujetador y causará lesiones.
- ◆ No accione la herramienta a menos que esté colocada firmemente contra la pieza de trabajo. Si la herramienta no está en contacto, el sujetador puede desviarse de su objetivo.
- ◆ Desconecte la herramienta de la fuente de alimentación cuando el sujetador se atasque en la herramienta. Al retirar un sujetador atascado, la clavadora puede activarse accidentalmente si está enchufada.
- ◆ No utilice esta herramienta para sujetar cables eléctricos. No está diseñado para la instalación de cables eléctricos y puede dañar el aislamiento de los cables eléctricos y causar descargas eléctricas o riesgos de incendio.

- ◆ Lesiones causadas por tocar cualquier pieza giratoria/ móvil.
- ◆ Lesiones causadas al cambiar cualquier pieza, cuchillas o accesorios.
- ◆ Lesiones causadas por el uso prolongado de una herramienta. Cuando utilice cualquier herramienta durante períodos prolongados, asegúrese de tomar descansos regulares.
- ◆ Deterioro de la audición.
- ◆ Peligros para la salud causados por respirar el polvo generado al usar su herramienta (ejemplo: trabajar con madera, especialmente roble, haya y MDF).

Ruido y vibración

Los valores de emisión de ruido y vibraciones declarados en los datos técnicos y la declaración de conformidad se han medido de acuerdo con un método de prueba estándar proporcionado por EN60745 y pueden usarse para comparar una herramienta con otra. El valor declarado de emisión de ruido y vibraciones también puede utilizarse en una evaluación preliminar de la exposición.

¡Advertencia! El valor de emisión de ruido y vibraciones durante el uso real de la herramienta eléctrica puede diferir del valor declarado dependiendo de las formas en que se utilice la herramienta. El nivel de ruido y vibración puede aumentar por encima del nivel indicado.

Al evaluar la exposición al ruido y las vibraciones para determinar las medidas de seguridad exigidas por 2002/44/EC para proteger a las personas que utilizan regularmente herramientas eléctricas en el trabajo, se debe considerar una estimación de la exposición al ruido y las vibraciones, las condiciones reales de uso y la forma en que se usa la herramienta, incluida la consideración de todas las partes del ciclo operativo, como los momentos en que la herramienta está apagada y cuando está inactiva, además del tiempo de activación.

Etiquetas en la herramienta

Los siguientes símbolos se muestran en la herramienta junto con el código de fecha:



¡Advertencia! Para reducir el riesgo de lesiones, el usuario debe leer el manual de instrucciones.



¡Advertencia! Para reducir el riesgo de lesiones, el usuario debe usar protección para los oídos y los ojos.



Precaución: No mire fijamente a la lámpara en funcionamiento.

Riesgos residuales

Pueden surgir riesgos residuales adicionales al usar la herramienta que pueden no estar incluidos en las advertencias de seguridad adjuntas.

Estos riesgos pueden surgir del mal uso, uso prolongado, etc. Incluso con la aplicación de las normas de seguridad pertinentes y la implementación de dispositivos de seguridad, no se pueden evitar ciertos riesgos residuales. Éstas incluyen:



Para iluminar la superficie de trabajo inmediata, así como un indicador de batería baja y un indicador de clavo atascado.



Mantenga las manos y partes del cuerpo alejadas de zona de trabajo inmediata.

Instrucciones de seguridad adicionales para baterías y cargadores

Baterías

- ◆ Nunca intente abrir por ningún motivo.
- ◆ No exponga la batería al agua.
- ◆ No almacene en lugares donde la temperatura pueda exceder los 40 °C.
- ◆ Cargue solo a temperaturas ambiente entre 10 °C y 40 °C.
- ◆ Cuando se deshaga de las pilas, siga las instrucciones dadas en la sección "Protección del medio ambiente".
- ◆ No dañe ni deforme el paquete de baterías mediante perforaciones o impactos, ya que esto puede crear un riesgo de lesiones e incendio.
- ◆ No cargue baterías dañadas.
- ◆ En condiciones extremas, pueden producirse fugas de la batería. Cuando observe líquido en las pilas Limpie con cuidado el líquido con un paño. Evite el contacto con la piel.
- ◆ En caso de contacto con la piel o los ojos, siga las instrucciones a continuación.

¡Advertencia! El líquido de la batería puede causar lesiones personales o daños a la propiedad. En caso de contacto con la piel, enjuague inmediatamente con agua. Si se produce enrojecimiento, dolor o irritación, busque atención médica. En caso de contacto con los ojos, enjuague inmediatamente con agua limpia y busque atención médica.



No intente cargar baterías dañadas

Cargadores

- ◆ Utilice su cargador STANLEY FATMAX únicamente para cargar la batería en la herramienta con la que se suministró. Otro las baterías podrían explotar, causando lesiones personales y daños.
- ◆ Nunca intente cargar baterías no recargables.
- ◆ Haga que se reemplacen inmediatamente los cables defectuosos.
- ◆ No exponga el cargador al agua.
- ◆ No abra el cargador.
- ◆ No pruebe el cargador.

Símbolos en el cargador



El cargador está diseñado para uso en interiores únicamente.



Lea el manual de instrucciones antes de usar.

Seguridad eléctrica



Su adaptador tiene doble aislamiento; por lo tanto, no se requiere cable de tierra. Compruebe siempre que la tensión de red corresponda a la tensión de la placa de características. Nunca intente reemplazar la unidad adaptadora con un enchufe de red normal.

Características

Este aparato incluye algunas o todas las siguientes características.

1. Interruptor de gatillo
2. Interruptor de bloqueo del gatillo
3. Rueda de ajuste de profundidad
4. Indicador de ajuste de profundidad
5. Indicador de luces de trabajo/batería baja/atasco/bloqueo
6. Palanca de liberación de calado
7. Pestillo de despeje de atascos
8. Viaje de contacto
9. Revista
10. Pestillo de empuje
11. Ubicación de la fijación de accesorios
12. Batería

Usar

¡Advertencia! Deje que la herramienta trabaje a su propio ritmo.
No sobrecargue.

Carga de la batería (Fig. A)

La batería debe cargarse antes del primer uso y siempre que no produzca suficiente energía en trabajos que antes se hacían fácilmente.

La batería puede calentarse durante la carga; esto es normal y no indica un problema.

¡Advertencia! No cargue la batería a temperaturas ambiente inferiores a 10 °C o superiores a 40 °C. Temperatura de carga recomendada: aprox. 24 °C.

Nota: El cargador no cargará una batería si la temperatura de la celda está por debajo de los 10 °C o por encima de los 40 °C aproximadamente.

La batería debe dejarse en el cargador y el cargador comenzará a cargarse automáticamente cuando la temperatura de la celda se caliente o se enfríe.

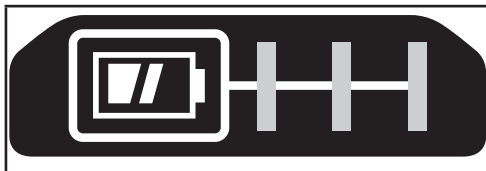
Nota: Para garantizar el máximo rendimiento y vida útil de los paquetes de baterías de iones de litio, cárguelos por completo antes de usarlos por primera vez.

- ◆ Enchufe el cargador (13) en un tomacorriente apropiado antes de insertar el paquete de baterías (12).
- ◆ La luz verde de carga (13a) parpadeará continuamente indicando que el proceso de carga ha comenzado.
- ◆ La finalización de la carga se indicará con la luz verde de carga (13a) que permanecerá ENCENDIDA de forma continua. El paquete de baterías (12) está completamente cargado y puede retirarse y usarse en este momento o dejarse en el cargador (13).
- ◆ Cargue las baterías descargadas en 1 semana. La vida útil de la batería disminuirá considerablemente si se almacena descargada.

cambia automáticamente al modo de carga del paquete. Esta función garantiza la máxima duración de la batería.

Indicador de estado de carga de la batería (Fig. B)

La batería incluye un indicador de estado de carga para determinar rápidamente la duración de la batería, como se muestra en la figura B. Al presionar el botón de estado de carga (12a), puede ver fácilmente la carga restante en la batería, como se ilustra en la figura B.



Modos LED del cargador

	Cargando: LED verde intermitente	
	Completamente cargado: LED verde Sólido	
	Retraso del paquete frío/ caliente: LED verde intermitente LED rojo Sólido	

Nota: Los cargadores compatibles no cargarán una batería defectuosa. El cargador indicará un paquete de batería defectuoso al negarse a encender.

Nota: Esto también podría significar un problema con un cargador. Si el cargador indica un problema, lleve el cargador y la batería a un centro de servicio autorizado para que los prueben.

Dejar la batería en el cargador

El cargador y la batería se pueden dejar conectados con el LED encendido indefinidamente. El cargador mantendrá la batería fresca y completamente cargada.

Retraso del paquete frío/caliente

Cuando el cargador detecta una batería que está demasiado caliente o demasiado fría, inicia automáticamente un Retraso de paquete caliente/frío, el LED verde (13a) parpadeará de forma intermitente, mientras que el LED rojo (13b) permanecerá encendido de forma continua, suspendiendo la carga hasta que se complete la batería. La batería ha alcanzado una temperatura adecuada, entonces el cargador

Instalación y extracción del paquete de baterías de la herramienta

¡Advertencia! Asegúrese de que el botón de bloqueo esté activado para evitar que se active el interruptor antes de quitar o instalar la batería.

Para instalar el paquete de baterías (Fig. C)

- ◆ Inserte el paquete de baterías firmemente en la herramienta hasta que se escuche un clic audible, como se muestra en la figura C. Asegúrese de que el paquete de baterías esté completamente asentado y trabado en su posición.

Para quitar el paquete de baterías (Fig. D)

- ◆ Presione el botón de liberación de la batería (12b) como se muestra en la figura D y extraiga el paquete de baterías de la herramienta.

Gancho colgante (Fig. E, F)

¡Advertencia! Quite los clavos del cargador antes de hacer cualquier ajustes o mantenimiento de esta herramienta. El no hacerlo puede resultar en lesiones graves.

¡Advertencia! Para reducir el riesgo de lesiones personales graves, coloque el botón de avance/retroceso en la posición de bloqueo o apague la herramienta y desconecte el paquete de baterías antes de hacer cualquier ajuste o remoción/ instalación de accesorios o accesorios. Una puesta en marcha accidental puede causar lesiones.

¡Advertencia! Para reducir el riesgo de lesiones personales graves, asegúrese de el tornillo (15) que sostiene el gancho para colgar está seguro.

Precaución: Cuando no esté en uso, coloque la herramienta de costado sobre una superficie estable. superficie donde no cause un peligro de tropiezo o caída. Algunas herramientas con paquetes de baterías grandes se pararán en posición vertical sobre la batería, pero puede

volcarse fácilmente.

Nota: Cuando coloque o reemplace el gancho para colgar (14), use únicamente el tornillo (15) que se proporciona. Asegúrese de asegurar Ajustar el tornillo.

Si no se desea el gancho en absoluto, se puede quitar de la herramienta.

Para mover el gancho de colgar, quite el tornillo (15) que sujeta el cuelgue el gancho (14) en su lugar.

Nota: Hay disponibles varios ganchos para pared de rieles y configuraciones de almacenamiento.

Visite nuestro sitio web www.stanley.eu/3 para obtener más información.

Operación

¡Advertencia! Lea la sección titulada Advertencias de seguridad para clavadoras al principio de este manual. Siempre ojo y oído protección al operar esta herramienta. Mantenga la clavadora apuntando lejos de usted y de los demás. Para una operación segura, complete los siguientes procedimientos y comprobaciones antes de cada uso de la clavadora.

¡Advertencia! Para reducir el riesgo de lesiones personales, desconecte el paquete de baterías de la herramienta y active el bloqueo del gatillo antes de realizar tareas de mantenimiento, quitar clavos atascados, abandonar el área de trabajo, mover la herramienta a otro lugar o entregar la herramienta a otra persona.

¡Advertencia! Mantenga los dedos LEJOS del gatillo cuando no utilice sujetadores para evitar disparos accidentales. Nunca transporte la herramienta con el dedo en el gatillo.

- ◆ Utilice protección adecuada para los ojos, los oídos y las vías respiratorias.
- ◆ Retire el paquete de baterías de la herramienta y active el bloqueo del gatillo.
- ◆ Bloquee el empujador en la posición trasera y retire todas las tiras de clavos del cargador.
- ◆ Verifique el funcionamiento suave y adecuado de los conjuntos de disparo por contacto y empujador. No use la herramienta si alguno de los ensamblajes no funciona correctamente.
- ◆ Nunca utilice una herramienta que tenga piezas dañadas.

¡Advertencia! Opere la herramienta con sujetadores a una velocidad que no supere las 30 veces/min.

Para operar la clavadora

¡Advertencia! El disparador de contacto debe presionarse seguido de un tirón completo del gatillo para cada clavo seguido de una liberación tanto del disparador de contacto como del disparador después de cada clavo.

¡Advertencia! Siempre se debe quitar la batería y activar el bloqueo del gatillo siempre que se realicen ajustes o cuando la herramienta no esté en uso.

- ◆ Presione completamente el disparador de contacto contra la superficie de trabajo.
- ◆ Apriete completamente el gatillo y el motor arrancará. (el clavo se clavará en la superficie de trabajo).
- ◆ Suelte el gatillo.
- ◆ Levante el disparo por contacto de la superficie de trabajo.
- ◆ Repita los 4 pasos anteriores para la próxima aplicación.

Preparando la herramienta

¡Advertencia! NUNCA rocíe ni aplique de ninguna otra forma aceite, lubricantes o disolventes de limpieza en el interior de la herramienta. Esto puede afectar seriamente la vida útil y el rendimiento de la herramienta.

¡Advertencia! Siempre se debe quitar la batería y activar el bloqueo del gatillo siempre que se realicen ajustes o cuando la herramienta no esté en uso.

- ◆ Lea la sección de instrucciones de seguridad de este manual.
- ◆ Use protección para los ojos y los oídos.
- ◆ Retire la batería de la herramienta y cárguela por completo.
- ◆ Asegúrese de que el cargador esté vacío de todos los sujetadores.
- ◆ Verifique el funcionamiento suave y adecuado de los conjuntos de disparo por contacto y empujador. No use la herramienta si alguno de los ensamblajes no funciona correctamente.
- ◆ Mantenga la herramienta apuntando lejos de usted y de los demás.
- ◆ Inserte el paquete de baterías completamente cargado.

Posición correcta de la mano (Fig. G)

¡Advertencia! Para reducir el riesgo de lesiones personales graves, SIEMPRE use la posición correcta de las manos como se muestra en la figura G.

¡Advertencia! Para reducir el riesgo de lesiones personales graves, SIEMPRE sostenga firmemente en previsión de una reacción repentina.

La posición adecuada de la mano requiere una mano en el mango principal.

Profundidad de ajuste (Fig. H)

La profundidad a la que se introduce el sujetador se puede ajustar usando la rueda de ajuste de profundidad (3) en el costado de la herramienta.

¡Advertencia! Para reducir el riesgo de lesiones graves por activación accidental al intentar ajustar la profundidad, siempre:

- ◆ Retire el paquete de baterías.
- ◆ Active el bloqueo del gatillo.
- ◆ Evite el contacto con el gatillo durante los ajustes.

Los ajustes de profundidad están en una escala móvil (4). El lado izquierdo indica lo más profundo y el lado derecho lo menos profundo.

- ◆ Para clavar un clavo más profundo, gire la rueda de ajuste de profundidad (3) hacia abajo. Esto deslizará el indicador de ajuste de profundidad (4) hacia la izquierda en la escala.
- ◆ Para clavar un clavo menos profundo, gire la rueda de ajuste de profundidad (3) hacia arriba. Esto deslizará el indicador de ajuste de profundidad (4) hacia la derecha en la escala.

Carga y descarga de la herramienta (Fig. I, J)

¡Advertencia! Mantenga la herramienta apuntando lejos de usted y de los demás. Se pueden producir lesiones personales graves.

¡Advertencia! Nunca cargue clavos con el disparo por contacto o el gatillo activado.

¡Advertencia! Retire siempre el paquete de baterías antes de cargar o descargar clavos.

¡Advertencia! Siempre se debe quitar la batería y activar el bloqueo del gatillo siempre que se realicen ajustes o cuando la herramienta no esté en uso.

Cargando la herramienta

- ◆ Presione el pestillo del empujador (10) y tire del cargador hacia abajo.
- ◆ Inserte sujetadores en el costado del cargador. Asegúrese de que las puntas de los sujetadores estén colocadas hacia el frente del cargador, debajo de la guía para clavos (16) en el canal para clavos.
- ◆ Empuje el cargador para cerrarlo hasta que encaje en su lugar.

¡Advertencia! Mantenga los dedos alejados del empujador para evitar lesiones.

Descarga de la herramienta

¡Advertencia! Siempre se debe quitar la batería y activar el bloqueo del gatillo siempre que se realicen ajustes o cuando la herramienta no esté en uso.

- ◆ Presione el pestillo del empujador de clavos y tire del cargador hacia abajo.
- ◆ Incline la herramienta hacia arriba hasta que los clavos se deslicen libremente fuera del revista
- ◆ Abra la puerta para despejar atascos (7) en la boquilla para verificar que no queden clavos.

Luces de trabajo (Fig. K)

Hay luces de trabajo (5) ubicadas a cada lado de la clavadora. Las luces de trabajo se encienden al presionar el disparador de contacto.

Nota: Estas luces de trabajo son para iluminar la superficie de trabajo inmediata y no están diseñadas para usarse como linternas.



Indicador de batería baja:

La luz de trabajo del lado izquierdo parpadeará cuatro veces consecutivas y luego se apagará para indicar batería baja.



Indicador de clavo atascado:

La luz de trabajo del lado derecho parpadeará continuamente si un clavo se atasca en la boquilla (consulte Cómo quitar un clavo atascado).

Liberación de calado (Fig. L)

¡Advertencia! Si se produce un atasco, la herramienta se desactivará sola y le pedirá que la reinicie. Para hacerlo, siga las instrucciones para eliminar una condición de estancamiento. A continuación, extraiga el paquete de baterías y luego vuelva a insertar el paquete de baterías. La herramienta ya estará operativa.

Si la clavadora se usa en una aplicación rigurosa donde toda la energía disponible en el motor se utiliza para impulsar un sujetador, la herramienta puede atascarse. La cuchilla impulsora no completó el ciclo de manejo y el indicador de atasco/bloqueo parpadeará.

Gire la palanca de liberación de bloqueo (6) en la herramienta y el mecanismo se liberará como se muestra en la figura L.

¡Nota! La herramienta se desactivará sola y no se reiniciará hasta que se haya retirado y vuelto a colocar el paquete de baterías. Si la unidad continúa deteniéndose, revise el material y la longitud del sujetador para asegurarse de que no sea una aplicación demasiado rigurosa. Si el conductor la hoja no vuelve automáticamente a la posición inicial después de girar la palanca de liberación de bloqueo, proceda a "quitar un clavo atascado".

Limpieza de un clavo atascado (Fig. M, N)

¡Advertencia! Para reducir el riesgo de lesiones personales, desconecte el paquete de baterías de la herramienta y active el bloqueo del gatillo antes de realizar el mantenimiento o quitar un clavo atascado.

Si un clavo se atasca en la boquilla, mantenga la herramienta

apuntando lejos de usted y siga estas instrucciones para despejar:

- ◆ Retire el paquete de baterías de la herramienta y active el bloqueo del gatillo.
- ◆ Retire los clavos cargados. Consulte Carga y descarga de la herramienta.
- ◆ Levante el pestillo de despeje de atascos 7 y luego tire hacia arriba para abrir la puerta delantera 17.
- ◆ Retire el clavo torcido, utilizando pinzas si es necesario.
- ◆ Si la cuchilla del impulsor está en la posición hacia abajo, gire la palanca de liberación de bloqueo 6 usando suficiente fuerza para deslizarla completamente hacia el otro extremo de la ranura en las carcasas.
- ◆ Cierre la puerta delantera y enganche el pasador de seguridad debajo de los dos brazos 18 en la boquilla. Empuje el pestillo hasta que encaje en su lugar.
- ◆ Vuelva a insertar la batería.

¡Advertencia! Si se produce un atasco, la herramienta se desactivará y le pedirá que la reinicie. Para hacerlo, siga las instrucciones para despejar el clavo atascado. A continuación, extraiga el paquete de baterías y luego vuelva a insertar el paquete de baterías. La herramienta ya estará operativa.

¡Nota! Si los clavos continúan atascándose con frecuencia en el viaje por contacto, haga reparar la herramienta en un centro de servicio STANLEY FATMAX autorizado.

Operación en clima frío

Cuando opere herramientas a temperaturas bajo cero:

- ◆ Mantenga la herramienta lo más caliente posible antes de usarla.
- ◆ Accione la herramienta 5 o 6 veces en madera de desecho antes de usarla.

Operación en clima cálido

La herramienta debería funcionar normalmente. Sin embargo, mantenga la herramienta alejada de la luz solar directa, ya que el calor excesivo puede deteriorar los parachoques y otras piezas de goma, lo que resulta en un mayor mantenimiento.

No-mar tip (Fig. 0)

La herramienta viene equipada con una punta de repuesto no-mar (19) ubicada en el lateral del cargador de clavos. Para reemplazar la almohadilla no-mar, simplemente retire la almohadilla antimarcha vieja y vuelva a colocar la nueva almohadilla antimarcha en el disparador de contacto (8).

Piezas de repuesto

¡Advertencia! Para reducir el riesgo de lesiones personales, desconecte el paquete de baterías de la herramienta y active el bloqueo del gatillo antes de realizar el mantenimiento o quitar un clavo atascado.

La herramienta viene equipada con una punta de repuesto que no se daña ubicada en el costado del cargador de clavos. Utilice únicamente piezas de repuesto idénticas. Para obtener una lista de piezas o pedir piezas, visite nuestro sitio web de servicio en www.stanley.eu/3co.uk.

También puede pedir repuestos a su tienda más cercana. Centro de Servicio de Fábrica STANLEY FATMAX o Garantía Autorizada STANLEY FATMAX.

Accesorios

¡Advertencia! Debido a que no se han probado con este producto accesorios distintos a los ofrecidos por STANLEY FATMAX, el uso de dichos accesorios con esta herramienta podría ser peligroso. Para reducir el riesgo de lesiones, solo deben usarse con este producto los accesorios recomendados por STANLEY FATMAX.

Los accesorios recomendados para usar con su herramienta son disponible a un costo adicional de su distribuidor local o autorizado centro de servicio.

Solución de problemas

Si su electrodoméstico parece no funcionar correctamente, siga las siguientes instrucciones.

Si esto no resuelve el problema, póngase en contacto con su agente de reparación STANLEY FATMAX local.

¡Advertencia! Antes de continuar, desenchufe el aparato.

Problema	Causa posible	Solución posible
La unidad no arranca.	Paquete de batería no instalado correctamente. Paquete de batería no cargado. El bloqueo del gatillo es comprometido.	Verifique la instalación del paquete de baterías. Verifique los requisitos de carga del paquete de baterías. Desenganche el bloqueo del gatillo.
La herramienta no actúa. (Faros encendidos, el motor no funciona)	El motor deja de funcionar después de 2 segundos.	Operación normal; suelte el gatillo o dispare por contacto y vuelva a presionar.
La herramienta no se acciona. (Faros destellan)	Carga de batería baja o batería dañada.	Cargue o reemplace la batería.
La herramienta no se activa. (Los faros delanteros parpadean continuamente)	Sujetador atascado/ herramienta atascada. mecanismo atascado	Retire la batería, gire la palanca de liberación de la parada. Retire el sujetador atascado y vuelva a insertar el paquete de baterías. Consulte el centro de servicio autorizado.
La herramienta no se acciona. (Faros delanteros encendidos, motor en marcha, hoja impulsora atascada).		Consulte el centro de servicio autorizado.

Más información está disponible en www.2helpU.com

Problema	Causa posible	Solución posible
La herramienta funciona, pero no no introduzca el sujetador por completo.	Carga de batería baja o batería dañada. El ajuste de profundidad es demasiado superficial. La herramienta no está firmemente aplicada a la pieza de trabajo. El material y la longitud del sujetador son una aplicación demasiado rigurosa.	Cargue o reemplace la batería. Gire la rueda de ajuste de profundidad para un escenario más profundo. Leer manual de instrucciones. Elija el material apropiado o la longitud del sujetador.

Mantenimiento

Su electrodoméstico/herramienta con/sin cable STANLEY FATMAX ha sido diseñado para funcionar durante un largo período de tiempo con un mantenimiento mínimo.El funcionamiento continuo y satisfactorio depende del cuidado adecuado de la herramienta/aparato y de la limpieza regular. **¡Advertencia!** Apague y desenchufe el aparato antes de realizar cualquier limpieza.

- ◆ La suciedad y la grasa se pueden quitar del exterior del aparato con un paño.

¡Advertencia! NUNCA use solventes u otros productos químicos agresivos para limpiar las partes no metálicas del aparato.Estos productos químicos pueden debilitar los materiales utilizados en estas piezas.Utilice un paño humedecido únicamente con agua y jabón suave.Nunca permita que entre líquido dentro de la unidad; nunca sumerja ninguna parte de la unidad en un líquido.

¡Advertencia! NUNCA rocíe ni aplique de ninguna otra forma lubricantes o disolventes de limpieza en el interior de la herramienta.Esto puede afectar seriamente la vida útil y el rendimiento de la herramienta.

Notas de servicio

Este producto no es reparable por el usuario.No hay piezas reparables por el usuario dentro de la clavadora.Se requiere servicio en un centro de servicio autorizado para evitar daños a los componentes internos sensibles a la estática.

Protecting the environment



colección separada.Los productos y baterías marcados con este símbolo no deben desecharse con la basura doméstica normal.

Los productos y las baterías contienen materiales que se pueden recuperar o reciclar, lo que reduce la demanda de materias primas.

Recicle los productos eléctricos y las baterías de acuerdo con las disposiciones locales.

Technical data

		SFMCN618 Type:1
Voltaje	V _{DC}	18
Tipo de Batería		Li-Ion
Modo de actuación		Sequential
Ángulo de la revista		Straight
Sin velocidad de carga	/min	9000
Impulsar la energía	approx	50J
Peso (herramienta desnuda)	kg	2,43

Fasteners		
Longitud	mm	16 - 50
Diámetro del vástago	mm	1,27
Angle		Straight

Esta herramienta es una unidad básica pero se puede utilizar con los cargadores de la siguiente tabla.

Cargador		SFMCB10	SFMCB11	SFMCB12	SFMCB14
Voltaje de entrada	V _{AC}	230	230	230	230
Tensión de salida	V _{DC}	18	18	18	18
Corriente	A	1,25	1,25	2	4

Esta herramienta es una unidad básica, pero se puede utilizar con las baterías de la siguiente tabla.

Battery		SFMCB201	SFMCB202	SFMCB204	SFMCB206
Voltaje	V _{DC}	18	18	18	18
Capacidad	Ah	1,5	2,0	4,0	6,0
Type		Li-Ion	Li-Ion	Li-Ion	Li-Ion

Nivel de presión sonora según EN60745:

Presión de sonido (L_{pa}) 84 dB(A), incertidumbre (K) 3 dB(A)

Potencia de sonido (L_{WA}) 95 dB(A), incertidumbre (K) 3 dB(A)

Valores totales de vibración (suma vectorial triax) según EN60745:

Clavos básicos (a_v) 2,8 m/s², incertidumbre (K) 1,8 m/s²

Declaración de conformidad CE

DIRECTIVA DE MAQUINARIA



SFMCN618 - Clavadora inalámbrica

STANLEY FATMAX declara que estos productos descritos en 2006/42/EC; EN 60745-1:2009 + A11:2010; EN 60745-2-16:2010.

Estos productos también cumplen con la Directiva 2014/30/EU and 2011/65/EU. Para obtener más información, póngase en contacto con STANLEY FATMAX en la siguiente dirección o consulte la parte posterior del manual.

Para obtener más información, póngase en contacto con STANLEY FATMAX en la siguiente dirección o consulte la parte posterior del manual.

El abajo firmante es responsable de la compilación del archivo técnico y hace esta declaración en nombre de STANLEY FATMAX.

Patrick Diepenbach

Patrick Diepenbach
Gerente general, Benelux
STANLEY FATMAX,
Egide Walschaertsstraat 14-18
2800 Mechelen, Bélgica
30/05/2023

Garantizar

STANLEY FATMAX confía en la calidad de sus productos y ofrece a los consumidores una garantía de 12 meses a partir de la fecha de compra.

Esta garantía es adicional y de ninguna manera perjudica sus derechos legales. La garantía es válida dentro de los territorios de los Estados miembros de la Unión Europea y del Área Europea de Libre Comercio y el Reino Unido.

Para reclamar la garantía, el reclamo debe realizarse de acuerdo con los Términos y condiciones de STANLEY FATMAX y deberá presentar un comprobante de compra al vendedor o a un agente de reparación autorizado.

Los términos y condiciones de la garantía de 1 año de STANLEY FATMAX y la ubicación de su agente de reparación autorizado más cercano se pueden obtener en Internet en www.2helpU.com, o comunicándose con su oficina local de STANLEY FATMAX en la dirección indicada en este manual. Visite nuestro sitio web www.stanley.eu/3 para registrarse su nuevo producto STANLEY FATMAX y reciba actualizaciones sobre nuevos productos y ofertas especiales.

Uso pretendido

Seu pregador sem fio STANLEY FATMAX SFMCN618 foi projetado para pregar. Este aparelho destina-se a usuários profissionais e privados, não profissionais.

Instruções de segurança**Avisos gerais de segurança para ferramentas elétricas**

Aviso! Leia todos os avisos de segurança, instruções, ilustrações e especificações fornecidas com esta ferramenta elétrica. O não cumprimento dos avisos e instruções listados abaixo pode resultar em choque elétrico, incêndio e/ou ferimentos graves.

Guarde todos os avisos e instruções para referência futura. O termo "ferramenta elétrica" em todos os avisos listados abaixo refere-se à sua ferramenta elétrica operada por rede elétrica (com fio) ou ferramenta elétrica operada por bateria (sem fio).

1. Segurança da área de trabalho

- a. **Mantenha a área de trabalho limpa e bem iluminada.** Áreas desordenadas ou escuras convidam a acidentes.
- b. **Não opere ferramentas elétricas em atmosferas explosivas, como na presença de líquidos, gases ou poeira inflamáveis.** As ferramentas elétricas criam faíscas que podem inflamar a poeira ou fumaça.
- c. **Mantenha crianças e espectadores afastados enquanto estiver operando uma ferramenta elétrica.** As distrações podem fazer com que você perca o controle.

2. Segurança elétrica

- a. **Os plugues das ferramentas elétricas devem corresponder à tomada.** Nunca modifique o plugue de forma alguma. Não use nenhum plugue adaptador com ferramentas elétricas aterradas. Plugues não modificados e tomadas correspondentes reduzirão o risco de choque elétrico.
- b. **Evite contato corporal com superfícies aterradas ou aterradas, como tubos, radiadores, fogões e refrigeradores.** Existe um risco aumentado de choque elétrico se seu corpo estiver aterrado ou aterrado.
- c. **Não exponha ferramentas elétricas à chuva ou condições úmidas.** A entrada de água em uma ferramenta elétrica aumentará o risco de choque elétrico.
- d. **Não abuse do cordão.** Nunca use o cabo para carregar, puxar ou desligar a ferramenta elétrica. Mantenha o cabo longe do calor, óleo, bordas afiadas ou partes móveis. Cabos danificados ou emaranhados aumentam o risco de choque elétrico.

- e. **Ao operar uma ferramenta elétrica ao ar livre, use um cabo de extensão adequado para uso externo.** O uso de um cabo adequado para uso externo reduz o risco de choque elétrico.
- f. **Se for inevitável operar uma ferramenta elétrica em um local úmido, use uma fonte protegida por dispositivo de corrente residual (RCD).** O uso de um RCD reduz o risco de choque elétrico.
- 3. Segurança pessoal**
- a. **Fique alerta, observe o que está fazendo e use o bom senso ao operar uma ferramenta elétrica.** Não use uma ferramenta elétrica se estiver cansado ou sob a influência de drogas, álcool ou medicamentos. Um momento de desatenção ao operar ferramentas elétricas pode resultar em ferimentos graves.
- b. **Use equipamentos de proteção individual. Sempre use proteção para os olhos.** Equipamentos de proteção como máscara contra poeira, sapatos de segurança antiderrapantes, capacete ou proteção auditiva usados para condições apropriadas reduzirão os ferimentos pessoais.
- c. **Evite partida involuntária. Certifique-se de que o interruptor esteja na posição desligada antes de conectar à fonte de alimentação e/ou bateria, pegar ou carregar a ferramenta.** Carregar ferramentas elétricas com o dedo no interruptor ou energizar ferramentas elétricas com o interruptor ligado é um convite a acidentes.
- d. **Remova qualquer chave de ajuste ou chave inglesa antes de ligar a ferramenta elétrica.** Uma chave inglesa ou uma chave deixada presa a uma parte rotativa da ferramenta elétrica pode resultar em ferimentos pessoais.
- e. **Não exagere.** Mantenha os pés e o equilíbrio adequados o tempo todo. Isso permite um melhor controle da ferramenta elétrica em situações inesperadas.
- f. **Vista-se adequadamente.** Não use roupas largas ou joias. Mantenha seu cabelo, roupas e luvas longe de peças móveis. Roupas largas, joias ou cabelos compridos podem ficar presos nas peças móveis.
- g. **Se forem fornecidos dispositivos para a conexão de instalações de extração e coleta de pó, certifique-se de que estejam conectados e usados corretamente.** O uso da coleta de poeira pode reduzir os perigos relacionados à poeira.
- h. **Não deixe que a familiaridade adquirida com o uso frequente de ferramentas permitam que você se torne complacente e ignore princípios de segurança de ferramentas.** Uma ação descuidada pode causar ferimentos graves em uma fração de segundo.
- 4. Uso e cuidados com ferramentas elétricas**
- a. **Não force a ferramenta elétrica.** Use a ferramenta elétrica correta para sua aplicação. A ferramenta elétrica correta fará o trabalho melhor e com mais segurança na velocidade para a qual foi projetada.
- b. **Não use a ferramenta elétrica se o interruptor não ligar e desligar.** Qualquer ferramenta elétrica que não possa ser controlada com o interruptor é perigosa e deve ser consertada.
- c. **Desconecte o plugue da fonte de alimentação e/ou a bateria da ferramenta elétrica antes de fazer qualquer ajuste, trocar acessórios ou armazenar ferramentas elétricas.** Tais medidas preventivas de segurança reduzem o risco de ligar a ferramenta elétrica acidentalmente.
- d. **Guarde as ferramentas elétricas inativas fora do alcance de crianças e não permita que pessoas não familiarizadas com a ferramenta elétrica ou com estas instruções operem a ferramenta elétrica.** Ferramentas elétricas são perigosas nas mãos de usuários não treinados.
- e. **Faça a manutenção de ferramentas elétricas e acessórios.** Verifique se há desalinhamento ou emperramento de peças móveis, quebra de peças e qualquer outra condição que possa afetar a operação das ferramentas elétricas. Se estiver danificada, conserte a ferramenta elétrica antes de usá-la. Muitos acidentes são causados por ferramentas elétricas mal conservadas.
- f. **Mantenha as ferramentas de corte afiadas e limpas.** Ferramentas de corte mantidas adequadamente com arestas de corte afiadas têm menos probabilidade de emperrar e são mais fáceis de controlar.
- g. **Use a ferramenta elétrica, acessórios e brocas etc. de acordo com estas instruções, levando em consideração as condições de trabalho e o trabalho a ser executado.** O uso da ferramenta elétrica para operações diferentes daquelas pretendidas pode resultar em uma situação perigosa.
- h. **Mantenha as pegas e superfícies de agarrar secas, limpas e livre de óleo e graxa.** Alças escorregadias e agarrar superfícies não permitem o manuseio seguro e o controle do ferramenta em situações inesperadas.
- 5. Battery tool use and care**
- a. **Recharge only with the charger specified by the manufacturer.** A charger that is suitable for one type of battery pack may create a risk of fire when used with another battery pack.
- b. **Use power tools only with specifically designated battery packs.** Use of any other battery packs may create a risk of injury and fire.
- c. **When battery pack is not in use, keep it away from other metal objects, like paper clips, coins, keys, nails, screws, or other small metal objects, that can make a connection from one terminal to**

- another.** Shorting the battery terminals together may cause burns or a fire.
- d. **Under abusive conditions, liquid may be ejected from the battery; avoid contact. If contact accidentally occurs, flush with water. If liquid contacts eyes, additionally seek medical help.** Liquid ejected from the battery may cause irritation or burns.
- e. **Do not use a battery pack or tool that is damaged or modified.** Damaged or modified batteries may exhibit unpredictable behaviour resulting in fire, explosion or risk of injury.
- f. **Do not expose a battery pack or tool to fire or excessive temperature.** Exposure to fire or temperature above 130 °C may cause explosion.
- g. **Follow all charging instructions and do not charge the battery pack or tool outside the temperature range specified in the instructions.** Charging improperly or at temperatures outside the specified range may damage the battery and increase the risk of fire.
6. **Service**
- a. **Have your power tool serviced by a qualified repair person using only identical replacement parts.** This will ensure that the safety of the power tool is maintained.
- b. **Never service damaged BATTERY packs.** Service of BATTERY packs should only be performed by the manufacturer or authorized service providers

Avisos adicionais de segurança para ferramentas elétricas

- ◆ **Use os punhos auxiliares fornecidos com a ferramenta.** A perda de controle pode causar ferimentos pessoais.
- ◆ **Segure a ferramenta elétrica pelas superfícies isoladas ao realizar uma operação em que o acessório de corte possa entrar em contato com a fiação oculta.** O contato do acessório de corte com um fio "energizado" pode tornar as partes metálicas expostas da ferramenta elétrica "energizadas" e causar um choque elétrico no operador.
- ◆ **Segure a ferramenta elétrica pelas superfícies de pega isoladas, ao realizar uma operação em que o prendedor possa entrar em contato com fios ocultos.** Prendedores em contato com um fio "vivo" podem deixar as partes metálicas expostas da ferramenta elétrica "vivas" e podem causar um choque elétrico no operador.
- ◆ **Use grampos ou outra forma prática de prender e apoiar a peça de trabalho em uma plataforma estável.** Segurar o trabalho com as mãos ou contra o corpo deixa-o instável e pode levar à perda de controle.
- ◆ **Antes de perfurar paredes, pisos ou tetos, verifique a localização da fiação e dos tubos.**

- ◆ **Evite tocar na ponta da broca logo após a perfuração, pois pode estar quente.**
- ◆ **O uso pretendido é descrito neste manual de instruções.** O uso de qualquer acessório ou anexo ou a execução de qualquer operação com esta ferramenta além das recomendadas neste manual de instruções pode apresentar risco de ferimentos pessoais e/ou danos à propriedade.

Segurança dos outros

- ◆ Nunca permita que crianças, pessoas com capacidades físicas, sensoriais ou mentais reduzidas ou com falta de experiência e conhecimento ou pessoas não familiarizadas com estas instruções usem a máquina,
- ◆ regulamentos locais podem restringir a idade do operador.
- ◆ Nunca opere a máquina na presença de pessoas, especialmente crianças ou animais de estimação.

Instruções adicionais de segurança para pregos sem fio

- ◆ **Use sempre óculos de segurança.**
- ◆ **Sempre use protetor auricular.**
- ◆ **Utilize apenas fixadores do tipo especificado no manual.**
- ◆ **Não use nenhum suporte para montar a ferramenta em um apoiar.**
- ◆ **Não desmonte ou bloqueie nenhuma peça da ferramenta de inserção de prendedores, como o disparador de contato.**
- ◆ **Antes de cada operação, verifique se a segurança e mecanismo de acionamento está funcionando corretamente e se todas as porcas e parafusos estão apertados.**
- ◆ **Não use a ferramenta como martelo.**
- ◆ **Não use a ferramenta em uma escada.**
- ◆ **Nunca aponte nenhuma ferramenta operacional de cravação para você ou para qualquer outra pessoa.**
- ◆ **Durante o trabalho, segure a ferramenta de forma que não ocorram ferimentos na cabeça ou no corpo em caso de um possível recuo devido a uma interrupção no fornecimento de energia ou áreas duras da peça de trabalho.**
- ◆ **Nunca acione a ferramenta de cravação no espaço livre.**
- ◆ **Na área de trabalho, carregue a ferramenta no local de trabalho usando apenas uma alça e nunca com o gatilho acionado.**
- ◆ **Considere as condições na área de trabalho Os fixadores podem penetrar em peças de trabalho finas ou escorregar nos cantos e bordas da peça de trabalho, colocando assim as pessoas em risco.**
- ◆ **Não coloque fixadores perto da borda da peça de trabalho.**

- ◆ **Não coloque fixadores em cima de outros fixadores.**
- ◆ **Sempre assuma que a ferramenta contém fixadores.** O manuseio descuidado do pregador pode resultar em disparo inesperado de fixadores e ferimentos pessoais.
- ◆ **Não aponte a ferramenta para si ou para alguém próximo.** O acionamento inesperado descarregará o fixador, causando ferimentos.
- ◆ **Não acione a ferramenta a menos que ela esteja firmemente colocada contra a peça de trabalho.** Se a ferramenta não estiver em contato, o fixador pode ser desviado do seu alvo.
- ◆ **Desconecte a ferramenta da fonte de alimentação quando o prendedor encravar na ferramenta.** Ao remover um prendedor atolado, o pregador pode ser ativado acidentalmente se estiver conectado.
- ◆ **Não use esta ferramenta para prender cabos elétricos.** Ele não foi projetado para instalação de cabos elétricos e pode danificar o isolamento dos cabos elétricos, causando choque elétrico ou risco de incêndio.

riscos residuais

Additional residual risks may arise when using the tool that may not be included in the safety warnings included.

Esses riscos podem surgir do uso indevido, uso prolongado, etc.

Mesmo com a aplicação dos regulamentos de segurança relevantes e a implementação de dispositivos de segurança, certos riscos residuais não podem ser evitados. Esses incluem:

- ◆ Lesões causadas pelo toque em qualquer parte rotativa/móvel.
- ◆ Lesões causadas pela troca de peças, lâminas ou acessórios.
- ◆ Lesões causadas pelo uso prolongado de uma ferramenta. Ao usar qualquer ferramenta por períodos prolongados, certifique-se de fazer pausas regulares.
- ◆ Deficiência auditiva.
- ◆ Perigos para a saúde causados pela inalação do pó desenvolvido durante a utilização da sua ferramenta (exemplo: - trabalhar com madeira, especialmente carvalho, faia e MDF.)

Ruído e vibração

Os valores de emissão de ruído e vibração declarados nos dados técnicos e na declaração de conformidade foram medidos de acordo com um método de teste padrão fornecido pela EN60745 e podem ser usados para comparar uma ferramenta com outra. O valor declarado de emissão de ruído e vibração também pode ser usado em uma avaliação preliminar da exposição.

Aviso! O valor da emissão de ruído e vibração durante o uso real da ferramenta elétrica pode diferir do valor declarado,

dependendo das formas como a ferramenta é usada. O nível de ruído e vibração pode aumentar acima do nível indicado. Ao avaliar a exposição ao ruído e à vibração para determinar as medidas de segurança exigidas pela norma 2002/44/EC para proteger as pessoas que usam ferramentas elétricas regularmente no trabalho, uma estimativa da exposição ao ruído e à vibração deve considerar as condições reais de uso e a forma como a ferramenta é usada, incluindo levar em conta todas as partes do ciclo operacional, como os momentos em que a ferramenta é desligada e quando está funcionando ociosa, além do tempo de acionamento.

Etiquetas na ferramenta

Os seguintes símbolos são mostrados na ferramenta junto com o código de data:



Aviso! Para reduzir o risco de ferimentos, o usuário deve ler o manual de instruções.



Aviso! Para reduzir o risco de ferimentos, o usuário deve usar proteção para os ouvidos e olhos.



Cuidado: Não olhe fixamente para a lâmpada de operação



Para iluminar a superfície de trabalho imediata, bem como um indicador de bateria fraca e um indicador de unha encravada.



Mantenha as mãos e partes do corpo longe de área de trabalho imediata.

Instruções de segurança adicionais para baterias e carregadores

Baterias

- ◆ Nunca tente abrir por qualquer motivo.
- ◆ Não exponha a bateria à água.
- ◆ Não armazene em locais onde a temperatura possa exceder 40 °C.
- ◆ Carregue apenas a uma temperatura ambiente entre 10 °C e 40 °C.
- ◆ Ao descartar as baterias, siga as instruções fornecidas na seção "Proteção do meio ambiente".
- ◆ Não danifique/deforme a bateria por perfuração ou impacto, pois isso pode criar risco de ferimentos e incêndio.
- ◆ Não carregue baterias danificadas.

- ◆ Sob condições extremas, pode ocorrer vazamento da bateria. Quando notar líquido nas baterias Limpe cuidadosamente o líquido com um pano. Evite contato com a pele.
- ◆ Em caso de contato com a pele ou olhos, siga as instruções abaixo.

Aviso! O fluido da bateria pode causar lesões pessoais ou danos à propriedade. Em caso de contato com a pele, lave imediatamente com água. Se ocorrer vermelhidão, dor ou irritação, procure atendimento médico. Em caso de contato com os olhos, lave imediatamente com água limpa e procure atendimento médico.



Não tente carregar baterias danificadas

Carregadores

- ◆ Use your STANLEY FATMAX charger only to charge the battery in the tool with which it was supplied. Other batteries could burst, causing personal injury and damage.
- ◆ Never attempt to charge non-rechargeable batteries.
- ◆ Have defective cords replaced immediately.
- ◆ Do not expose the charger to water.
- ◆ Do not open the charger.
- ◆ Do not probe the charger

Símbolos no carregador



O carregador destina-se apenas a utilização no interior.



Leia o manual de instruções antes de usar.

Segurança elétrica



Seu adaptador tem isolamento duplo; portanto, nenhum fio terra é necessário. Verifique sempre se a tensão de rede corresponde à tensão indicada na placa de características. Nunca tente substituir a unidade do adaptador por um plugue de alimentação normal.

Características

Este aparelho inclui alguns ou todos os seguintes recursos.

1. Gatilho Interruptor
2. Interruptor de bloqueio do gatilho
3. Roda de ajuste de profundidade
4. Indicador de ajuste de profundidade
5. Luzes de trabalho/indicador de bateria fraca/obstrução/parada
6. Alavanca de liberação de estol
7. Trava de desencravamento
8. Viagem de contato
9. Revista

10. Trava do empurrador
11. Local de fixação do acessório
12. Bateria

Usar

Aviso! Deixe a ferramenta trabalhar em seu próprio ritmo. Não sobrecarregue.

Carregar a bateria (Fig. A)

A bateria precisa ser carregada antes do primeiro uso e sempre que não produzir energia suficiente em trabalhos que antes eram facilmente executados.

A bateria pode aquecer durante o carregamento; isso é normal e não indica um problema.

Aviso! Não carregue a bateria em temperaturas ambiente abaixo de 10 °C ou acima de 40 °C. Temperatura de carga recomendada: aprox. 24 °C.






Observação: O carregador não carregará uma bateria se a temperatura da célula estiver abaixo de aproximadamente 10 °C ou acima de 40 °C.

A bateria deve ser deixada no carregador e o carregador começará a carregar automaticamente quando a temperatura da célula aumentar ou diminuir.

Nota: Para garantir o máximo desempenho e vida útil das baterias de íon-lítio, carregue-as totalmente antes de.

- ◆ Ligue o carregador (13) a uma tomada adequada antes de inserir a bateria (12).
- ◆ A luz verde de carregamento (13a) piscará continuamente, indicando que o processo de carregamento foi iniciado.
- ◆ A conclusão da carga será indicada pela luz verde de carga (13a) permanecendo acesa continuamente. A bateria (12) está totalmente carregada e pode ser removida e usada neste momento ou deixada no carregador (13).
- ◆ Carregue baterias descarregadas dentro de 1 semana. A vida útil da bateria será bastante reduzida se armazenada em um estado descarregado.

Charger LED Modes

	Carregamento: LED verde intermitente	
	Completamente carregado: LED Verde Sólido	
	Atraso do Pacote Quente/Frio: LED verde intermitente LED Vermelho Sólido	

Nota: O(s) carregador(es) compatível(is) não carrega(m) uma bateria defeituosa. O carregador indicará uma bateria com defeito, recusando-se a acender.

Observação: isso também pode significar um problema com o carregador. Se o carregador indicar um problema, leve o carregador e a bateria para serem testados em um centro de serviço autorizado.

Deixar a bateria no carregador

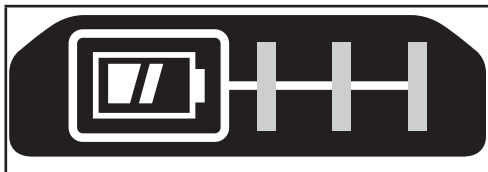
O carregador e a bateria podem ser deixados conectados com o LED aceso indefinidamente. O carregador manterá a bateria nova e totalmente carregada.

Atraso de Bolsa Quente/Fria

Quando o carregador detecta uma bateria muito quente ou muito fria, ele automaticamente inicia um Hot/Cold Pack Delay, o LED verde (13a) piscará intermitentemente, enquanto o LED vermelho (13b) permanecerá aceso continuamente, suspendendo o carregamento até que o bateria atingiu uma temperatura adequada. O carregador então muda automaticamente para o modo de carregamento do pacote. Esse recurso garante a duração máxima da bateria.

Indicador do estado de carga da bateria (Fig. B)

A bateria inclui um indicador de estado de carga para determinar rapidamente a duração da bateria, conforme mostrado na figura B. Ao pressionar o botão de estado de carga (12a), você pode visualizar facilmente a carga restante na bateria, conforme ilustrado na figura B.



Instalando e removendo a bateria da ferramenta

Aviso! Certifique-se de que o botão de bloqueio esteja acionado para evitar a ativação do interruptor antes de remover ou instalar a bateria.

Para instalar a bateria (Fig. C)

- ◆ Insira a bateria com firmeza na ferramenta até ouvir um clique audível, conforme mostrado na figura C. Certifique-se de que a bateria esteja totalmente encaixada e travada na posição.

Para remover a bateria (Fig. D)

- ◆ Pressione o botão de liberação da bateria (12b) conforme mostrado na figura D e puxe a bateria para fora da ferramenta.

Gancho de pendurar (Fig. E, F)

Aviso! Remova os pregos do magazine antes de fazer qualquer ajustes ou manutenção desta ferramenta. Não fazer isso pode resultar em lesão grave.

Aviso! Para reduzir o risco de lesões pessoais graves, coloque o botão de avanço/retrocesso na posição de bloqueio ou desligue a ferramenta e desconecte a bateria antes de fazer quaisquer ajustes ou remoção/instalação de acessórios ou acessórios. Uma partida acidental pode causar ferimentos.

Aviso! Para reduzir o risco de lesões pessoais graves, certifique-se de o parafuso (15) que segura o gancho de pendurar está preso.

Cuidado: Quando não estiver em uso, coloque a ferramenta de lado em uma superfície estável onde não cause perigo de tropeçar ou cair.

Algumas ferramentas com baterias grandes ficarão em pé na bateria, mas pode ser facilmente derrubada.

Observação: Ao prender ou substituir o gancho de pendurar (14), use apenas o parafuso (15) fornecido. Certifique-se de Aperte o parafuso.

Se o gancho não for desejado, ele pode ser removido do a ferramenta.

Para mover o gancho de enforcamento, remova o parafuso (15) que prende o pendure o gancho (14) no lugar.

Nota: Vários ganchos de trackwall e configurações de armazenamento estão disponíveis.

Visite o nosso website www.stanley.eu/3 para mais informações.

Operação

Aviso! Leia a seção intitulada Avisos de segurança do pregador no início deste manual. Sempre use olho e ouvido proteção ao operar esta ferramenta.

Mantenha o pregador apontado para longe de você e dos outros. Para uma operação segura, conclua os seguintes procedimentos e verificações antes de cada uso do pregador.

Aviso! Para reduzir o risco de ferimentos pessoais, desconecte a bateria da ferramenta e ative o travamento do gatilho antes de realizar manutenção, remover pregos presos, sair da área de trabalho, mover a ferramenta para outro local ou entregar a ferramenta a outra pessoa.

Aviso! Mantenha os dedos LONGE do gatilho quando não estiver acionando fixadores para evitar disparos acidentais. Nunca carregue a ferramenta com o dedo no gatilho.

- ◆ Wear proper eye, hearing and respiratory protection.
- ◆ Remove battery pack from tool and engage trigger lock-off.

- ◆ Trave o empurrador na posição traseira e remova todas as tiras de pregos do carregador.
- ◆ Verifique a operação suave e adequada dos conjuntos de disparo e impulsor de contato.
Não use a ferramenta se o conjunto não estiver funcionando corretamente.
- ◆ Nunca use uma ferramenta com peças danificadas.

Aviso! Opere a ferramenta com fixadores a uma taxa não superior a 30 vezes/min.

Para operar o pregador

Aviso! O disparo de contato precisa ser pressionado seguido por um acionamento completo do gatilho para cada prego, seguido por uma liberação do disparo de contato e do gatilho após cada prego.

Aviso! A bateria deve sempre ser removida e o gatilho travado acionado sempre que quaisquer ajustes forem feitos ou quando a ferramenta não estiver em uso.

- ◆ Pressione totalmente o disparador de contato contra a superfície de trabalho.
- ◆ Puxe o gatilho totalmente e o motor dará partida.(o prego penetrará na superfície de trabalho).
- ◆ Solte o gatilho.
- ◆ Levante o disparador de contato da superfície de trabalho.
- ◆ Repita os 4 passos acima para a próxima aplicação.

Preparando a ferramenta

Aviso! NUNCA pulverize ou aplique de qualquer outra forma óleo, lubrificantes ou solventes de limpeza dentro da ferramenta. Isso pode afetar seriamente a vida útil e o desempenho da ferramenta.

Aviso! A bateria deve sempre ser removida e o gatilho travado acionado sempre que quaisquer ajustes forem feitos ou quando a ferramenta não estiver em uso.

- ◆ Leia a seção Instruções de segurança deste manual.
- ◆ Use proteção para os olhos e ouvidos.
- ◆ Remova a bateria da ferramenta e carregue-a totalmente.
- ◆ Certifique-se de que o magazine esteja vazio de todos os fixadores.
- ◆ Verifique a operação suave e adequada dos conjuntos de disparo e impulsor de contato. Não use a ferramenta se o conjunto não estiver funcionando corretamente.
- ◆ Mantenha a ferramenta apontada para longe de você e dos outros.
- ◆ Insira a bateria totalmente carregada.

Posição correta da mão (Fig. G)

Aviso! Para reduzir o risco de ferimentos graves, SEMPRE use a posição correta das mãos, conforme mostrado na figura G.

Aviso! Para reduzir o risco de lesões pessoais graves, SEMPRE segure firmemente antes de uma reação repentina. A posição correta da mão requer uma mão na alça principal.

Ajustando a Profundidade (Fig. H)

A profundidade em que o fixador é inserido pode ser ajustada usando a roda de ajuste de profundidade (3) na lateral da ferramenta.

Aviso! Para reduzir o risco de ferimentos graves causados por acionamento acidental ao tentar ajustar a profundidade, sempre:

- ◆ Remova a bateria.
- ◆ Engate o bloqueio do gatilho.
- ◆ Evite contato com o gatilho durante os ajustes.

As configurações de profundidade estão em uma escala móvel (4). O lado esquerdo indicando o mais profundo e o lado direito indicando o mais raso.

- ◆ Para cravar um prego mais fundo, gire a roda de ajuste de profundidade (3) para baixo. Isso deslizará o indicador de ajuste de profundidade (4) para a esquerda na escala.
- ◆ Para cravar um prego mais raso, gire a roda de ajuste de profundidade (3) para cima. Isso fará com que o indicador de ajuste de profundidade (4) deslize para a direita na escala.

Carregar e descarregar a ferramenta (Fig. I, J)

Aviso! Mantenha a ferramenta apontada para longe de você e de outras pessoas. Podem ocorrer ferimentos graves.

Aviso! Nunca carregue pregos com o disparo de contato ou gatilho ativado.

Aviso! Sempre remova a bateria antes de carregar ou descarregar os pregos.

Aviso! A bateria deve sempre ser removida e o gatilho travado acionado sempre que quaisquer ajustes forem feitos ou quando a ferramenta não estiver em uso.

Carregando a ferramenta

- ◆ Pressione a trava do empurrador (10) e puxe o carregador para baixo.
- ◆ Insira os fechos na lateral do magazine. Assegure-se de que as pontas dos prendedores estejam posicionadas para a frente do carregador, sob a guia de pregos (16) no canal de pregos.
- ◆ Empurre o magazine para fechar até que ele trave no lugar.

Aviso! Mantenha os dedos afastados do empurrador para evitar ferimentos.

Descarregando a ferramenta

Aviso! A bateria deve sempre ser removida e o gatilho travado acionado sempre que quaisquer ajustes forem feitos ou quando a ferramenta não estiver em uso.

- ◆ Pressione a trava do empurrador de pregos e puxe o carregador para baixo.
- ◆ Incline a ferramenta para cima até que os pregos deslizem livremente para fora revista.

- ◆ Abra a porta de desobstrução (7) no revólver para verificar se não há mais pregos.

Luzes de trabalho (Fig. K)

Existem luzes de trabalho (5) localizadas em cada lado do pregador. As luzes de trabalho acendem ao pressionar o disparo do contato.

Observação: essas luzes de trabalho são para iluminar a superfície de trabalho imediata e não devem ser usadas como lanternas.



Indicador de bateria fraca:

A luz de trabalho do lado esquerdo piscará quatro vezes consecutivas e depois desligará para indicar bateria fraca.



Indicador de prego encravado:

A luz de trabalho do lado direito piscará continuamente se um prego ficar preso no revólver (consulte Como remover um prego preso).

Liberação de estol (Fig. L)

Aviso! Se ocorrer um travamento, a ferramenta será desativada e exigirá que você a reinicie. Para fazer isso, siga as instruções sobre como limpar uma condição paralisada. Em seguida, remova a bateria e reinsira a bateria. A ferramenta agora estará operacional.

Se o pregador for usado em uma aplicação rigorosa onde toda a energia disponível no motor for usada para acionar um fixador, a ferramenta pode travar. A lâmina do acionador não completou o ciclo de acionamento e o indicador de atolamento/parada piscará.

Gire a alavanca de liberação do bloqueio (6) na ferramenta e o mecanismo será liberado conforme mostrado na figura L.

Observação! A ferramenta se desativará e não será redefinida até que a bateria seja removida e inserida. Se a unidade continuar travando, revise o material e o comprimento do fixador para ter certeza de que não é uma aplicação muito rigorosa. Se o motorista lâmina não retornar automaticamente para a posição inicial depois de girar a alavanca de liberação do estol, prossiga para "limpar um prego preso".

Limpando uma unha encravada (Fig. M, N)

Aviso! Para reduzir o risco de ferimentos pessoais, desconecte a bateria da ferramenta e ative o travamento

do gatilho antes de realizar a manutenção ou remover um prego preso.

Se um prego ficar preso no revólver, mantenha a ferramenta apontada para longe de você e siga estas instruções para desobstruir:

- ◆ Remova a bateria da ferramenta e engate o bloqueio do gatilho.
- ◆ Remova quaisquer pregos carregados. Consulte Carregar e Descarregar a Ferramenta.
- ◆ Levante a trava de desencravamento 7 e puxe para cima para abrir a porta frontal 17.
- ◆ Remova o prego torto, usando um alicate se necessário.
- ◆ Se a lâmina do acionador estiver na posição para baixo, gire a alavanca de liberação de estol 6 usando força suficiente para deslizá-la totalmente para a outra extremidade do slot nas caixas.
- ◆ Feche a porta frontal e encaixe o pino de trava sob os dois braços 18 do revólver. Empurre a trava até que ela trave no lugar.
- ◆ Reinsira a bateria.

Aviso! Se ocorrer um encravamento, a ferramenta irá desactivar-se e irá requerer que a reinicie. Para fazer isso, siga as instruções para remover a unha encravada. Em seguida, remova a bateria e reinsira a bateria. A ferramenta agora estará operacional.

Nota! Se os pregos continuarem a encravar frequentemente durante o disparo de contacto, leve a ferramenta para assistência a um centro de assistência STANLEY FATMAX autorizado.

Operação em clima frio

Ao operar ferramentas em temperaturas abaixo de zero:

- ◆ Mantenha a ferramenta o mais quente possível antes de usar.
- ◆ Acione a ferramenta 5 ou 6 vezes em pedaços de madeira antes de usar.

Operação em clima quente

A ferramenta deve operar normalmente. No entanto, mantenha a ferramenta longe da luz solar direta, pois o calor excessivo pode deteriorar os para-choques e outras peças de borracha, resultando em maior manutenção.

No-mar pontas (Fig. O)

A ferramenta vem equipada com uma ponta sobressalente No-mar (19) localizada na lateral do magazine de unhas. Para substituir No-mar pastilhas, basta retirar a antiga pastilha anti-arruído e recolocar a nova pastilha anti-arruído no disparador de contato (8).

Peças de reposição

Aviso! Para reduzir o risco de ferimentos pessoais, desconecte a bateria da ferramenta e ative a trava do gatilho

antes de realizar a manutenção ou remover um prego preso. A ferramenta vem equipada com uma ponta sobressalente no mar localizada na lateral do magazine de unhas. Use apenas peças de reposição idênticas. Para obter uma lista de peças ou encomendar peças, visite o nosso website de serviço em www.stanley.eu/3co.uk. Você também pode encomendar peças de seu mais próximo Centro de Serviço de Fábrica STANLEY FATMAX ou Garantia Autorizada STANLEY FATMAX.

Acessórias

Aviso! Como os acessórios, além dos oferecidos pela STANLEY FATMAX, não foram testados com este produto, o uso de tais acessórios com esta ferramenta pode ser perigoso. Para reduzir o risco de ferimentos, apenas os acessórios recomendados pela STANLEY FATMAX devem ser usados com este produto.

Os acessórios recomendados para uso com sua ferramenta são disponível a um custo extra de seu revendedor local ou autorizado Centro de serviço.

Solução de problemas

Se o seu aparelho parece não funcionar corretamente, siga as seguintes instruções.

Se isso não resolver o problema, entre em contato com o agente de reparo STANLEY FATMAX local.

Aviso! Antes de prosseguir, desligue o aparelho.

Problema	Possible Cause	Possible Solution
A unidade não inicia.	A bateria não foi instalada corretamente. Bateria não carregada. O bloqueio do gatilho é noivo.	Verifique a instalação da bateria. Verifique os requisitos de carregamento da bateria. Desengate o bloqueio do gatilho.
Ferramenta não acionar. (Faróis acesos, motor não funciona)	O motor para de funcionar após 2 segundos.	Operação normal; solte o gatilho ou o disparo do contato e pressione novamente.
A ferramenta não funciona. (Os faróis piscam)	Carga baixa da bateria ou bateria danificada.	Carregue ou substitua a bateria.
A ferramenta não funciona. (Os faróis piscam continuamente)	Prendedor emperrado / ferramenta travada. Mecanismo emperrado	Remova a bateria, gire a alavanca de liberação de estol. Remova o prendedor emperrado e reinsira a bateria. Consulte o centro de serviço autorizado.
A ferramenta não funciona. (Faróis acesos, motor funciona, lâmina do acionador presa)		Consulte o centro de serviço autorizado.

Problema	Possible Cause	Possible Solution
A ferramenta funciona, mas não coloque o fixador totalmente.	Carga baixa da bateria ou bateria danificada. Ajuste de profundidade muito raso. A ferramenta não está firmemente aplicada na peça de trabalho. O comprimento do material e do fixador é uma aplicação muito rigorosa.	Carregue ou substitua a bateria. Gire a roda de ajuste de profundidade para uma configuração mais profunda. Leia o manual de instruções. Escolha o material apropriado ou o comprimento do fixador.

Manutenção

O seu aparelho/ferramenta com/sem fio STANLEY FATMAX foi concebido para funcionar durante um longo período de tempo com um mínimo de manutenção. A operação satisfatória continua depende de cuidados adequados com a ferramenta/aparelho e limpeza regular.

Aviso! Desligue e desconecte o aparelho antes de realizar qualquer limpeza.

- ◆ A sujeidade e gordura podem ser removidas do exterior do aparelho com um pano.

Aviso! NUNCA use solventes ou outros produtos químicos agressivos para limpar as partes não metálicas do aparelho. Esses produtos químicos podem enfraquecer os materiais usados nessas peças. Use um pano umedecido apenas com água e sabão neutro. Nunca deixe nenhum líquido entrar na unidade; nunca mergulhe qualquer parte da unidade em um líquido.

Aviso! NUNCA borrifue ou aplique de qualquer outra forma lubrificantes ou solventes de limpeza dentro da ferramenta. Isso pode afetar seriamente a vida útil e o desempenho da ferramenta.

Notas de Serviço

Este produto não pode ser reparado pelo usuário. Não há peças que possam ser reparadas pelo usuário dentro do pregador. A manutenção em um centro de serviço autorizado é necessária para evitar danos aos componentes internos sensíveis à estática.

Protegendo o meio ambiente



Coleta separada. Os produtos e baterias marcados com este símbolo não devem ser eliminados juntamente com o lixo doméstico normal.

Os produtos e baterias contêm materiais que podem ser recuperados ou reciclados, reduzindo a demanda por matérias-primas.

Por favor, recicle produtos elétricos e baterias de acordo com as disposições locais. Mais informações estão disponíveis em www.2helpU.com

Dados técnicos

		SFMCN618 Type:1
Tensão	V _{DC}	18
Tipo de Bateria		Li-Ion
Modo de atuação		Sequential
Ângulo da revista		Straight
Sem velocidade de carga	/min	9000
Dirigir energia	approx	50J
Peso (ferramenta nua)	kg	2,43

prendedores			
Comprimento	mm		16 - 50
Diâmetro da haste	mm		1,27
Ângulo			Straight

Esta ferramenta é uma unidade básica, mas pode ser usada com os carregadores da tabela a seguir.

Carregador		SFMCB10	SFMCB11	SFMCB12	SFMCB14
Tensão de entrada	V _{AC}	230	230	230	230
Voltagem de saída	V _{DC}	18	18	18	18
Current	A	1,25	1,25	2	4

Esta ferramenta é uma unidade básica, mas pode ser usada com as baterias da tabela a seguir.

Bateria		SFMCB201	SFMCB202	SFMCB204	SFMCB206
Tensão	V _{DC}	18	18	18	18
Capacidade	Ah	1,5	2,0	4,0	6,0
Type		Li-Ion	Li-Ion	Li-Ion	Li-Ion

Nível de pressão sonora de acordo com EN60745:	
Pressão sonora (L _{pA})	84 dB(A), incerteza (K) 3 dB(A)
Potência de som (L _{WA})	95 dB(A), incerteza (K) 3 dB(A)

Valores totais de vibração (soma do vetor triaxial) de acordo com EN60745:	
Unhas grampeadas (a _v)	2,8 m/s ² , incerteza (K) 1,8 m/s ²

Declaração CE de conformidade

DIRETIVA DE MÁQUINAS



SFMCN618 - Nailer sem fio

A STANLEY FATMAX declara que estes produtos descritos em 2006/42/EC; EN 60745-1:2009 + A11:2010; EN 60745-2-16:2010.

Esses produtos também estão em conformidade com a Diretiva 2014/30/EU and 2011/65/EU. Para obter mais informações, entre em contato com a STANLEY FATMAX no seguinte endereço ou consulte o verso do manual.

Para obter mais informações, entre em contato com a STANLEY FATMAX no seguinte endereço ou consulte o verso do manual.

O abaixo-assinado é responsável pela compilação do arquivo técnico e faz esta declaração em nome de

STANLEY FATMAX.

Patrick Diepenbach

Patrick Diepenbach
 Director Geral, Benelux
 STANLEY FATMAX,
 Egide Walschaertsstraat 14-18
 2800 Mechelen, Bélgica
 30/05/2023

Garantia

A STANLEY FATMAX confia na qualidade de seus produtos e oferece aos consumidores uma garantia de 12 meses a partir da data de compra. Esta garantia complementa e não prejudica de forma alguma os seus direitos estatutários. A garantia é válida nos territórios dos Estados Membros da União Europeia e da Zona Europeia de Comércio Livre e no Reino Unido. Para reivindicar a garantia, a reclamação deve estar de acordo com os Termos e Condições da STANLEY FATMAX e você precisará enviar o comprovante de compra ao vendedor ou a um agente de reparo autorizado.

Os termos e condições da garantia STANLEY FATMAX de 1 ano e a localização do agente de reparo autorizado mais próximo podem ser obtidos na Internet em www.2helpU.com ou entrando em contato com o escritório STANLEY FATMAX local no endereço indicado neste manual. Visite o nosso website www.stanley.eu/3 para se registrar seu novo produto STANLEY FATMAX e receba atualizações sobre novos produtos e ofertas especiais.

Avsett bruk

Din STANLEY FATMAX SFCM618 sladdlösa spikpistol har designats för spikning. Denna apparat är avsedd för professionella och privata, icke-professionella användare.

Säkerhets instruktioner

Allmänna varningar för elverktygssäkerhet



Varning! Läs alla säkerhetsvarningar, instruktioner, illustrationer och specifikationer som medföljer detta elverktyg. Underlåtenhet att följa varningarna och instruktionerna nedan kan leda till elektriska stötar, brand och/eller allvarliga skador.

Spara alla varningar och instruktioner för framtida referens.

Termen "elverktyg" i alla varningar som anges nedan hänvisar till ditt nätdrivna (sladd) elverktyg eller batteridrivna (sladdlösa) elverktyg.

1. Säkerhet på arbetsplatsen

- Håll arbetsområdet rent och väl upplyst.** Röriga eller mörka områden leder till olyckor.
- Använd inte elverktyg i explosiva miljöer, som i närvaro av brandfarliga vätskor, gaser eller damm.** Elverktyg skapar gnistor som kan antända damm eller ångor.
- Håll barn och åskådare borta när du använder ett elverktyg.** Distractioner kan få dig att tappa kontrollen.

2. Elsäkerhet

- Elverktygskontakter måste matcha uttaget. Modifiera aldrig kontakten på något sätt.** Använd inte några adapterkontakter med jordade (jordade) elverktyg. Omodifierade kontakter och matchande uttag minskar risken för elektriska stötar.
- Undvik kroppskontakt med jordade eller jordade ytor som rör, radiatorer, spisar och kylskåp.** Det finns en ökad risk för elektriska stötar om din kropp är jordad eller jordad.
- Utsätt inte elverktyg för regn eller våta förhållanden.** Vatten som kommer in i ett elverktyg ökar risken för elektriska stötar.
- Missbruk inte sladden.** Använd aldrig sladden för att bära, dra eller koppla ur elverktyget. Håll sladden borta från värme, olja, vassa kanter eller rörliga delar. Skadade eller traslade sladdar ökar risken för elektriska stötar.
- När du använder ett elverktyg utomhus, använd en förlängningsladd som är lämplig för utomhusbruk.** Användning av en sladd som är lämplig för utomhusbruk minskar risken för elektriska stötar.
- Om det är oundvikligt att använda ett elverktyg på en**

fuktig plats, använd en jordfelsbrytare (RCD) skyddad.

Användning av en jordfelsbrytare minskar risken för elektriska stötar.

3. Personlig säkerhet

- Var uppmärksam, titta på vad du gör och använd sunt förnuft när du använder ett elverktyg.** Använd inte ett elverktyg när du är trött eller påverkad av droger, alkohol eller medicin. Ett ögonblick av ouppmärksamhet när du använder elverktyg kan leda till allvarliga personskador.
- Använd personlig skyddsutrustning. Använd alltid ögonskydd.** Skyddsutrustning som dammmask, halkfria skyddsskor, hjälm eller hörselskydd som används för lämpliga förhållanden kommer att minska personskador.
- Förhindra oavsiktlig start.** Se till att strömbrytaren är i avstängt läge innan du ansluter till strömkällan och/eller batteripaketet, plockar upp eller bär verktyget. Att bära elverktyg med fingret på strömbrytaren eller att strömsätta elverktyg som har strömbrytaren på leder till olyckor.
- Ta bort eventuell justeringsnyckel eller skiftnyckel innan du slår på elverktyget.** En skiftnyckel eller en nyckel som sitter kvar på en roterande del av elverktyget kan leda till personskada.
- Överdriv inte.** Håll alltid rätt förfäste och balans. Detta möjliggör bättre kontroll över elverktyget i oväntade situationer.
- Klä dig ordentligt. Bär inte löst sittande kläder eller smycken.** Håll ditt hår, kläder och handskar borta från rörliga delar. Lösa kläder, smycken eller långt hår kan fastna i rörliga delar.
- Om enheter tillhandahålls för anslutning av dammavsugnings- och uppsamlingsanläggningar, se till att dessa är anslutna och används på rätt sätt.** Användning av dammuppsamling kan minska dammrelaterade faror.
- Låt inte förtrogenhet erhållas från frekvent användning av verktyg låter dig bli självbelåten och ignorera verktygssäkerhetsprinciper.** En slarvig handling kan orsaka allvarlig skada inom en bråkdel av en sekund.

4. Användning och skötsel av elverktyg

- Tvinga inte elverktyget. Använd rätt elverktyg för din applikation.** Rätt elverktyg kommer att göra jobbet bättre och säkrare i den takt som det är designat för.
- Använd inte elverktyget om strömbrytaren inte slår på och av det.** Alla elverktyg som inte kan styras med strömbrytaren är farliga och måste repareras.
- Koppla bort kontakten från strömkällan och/eller batteripaketet från elverktyget innan du gör några justeringar, byter tillbehör eller förvarar elverktyg.** Sådana förebyggande säkerhetsåtgärder minskar risken

för att elverkytet startas av misstag.

- d. **Förvara inaktiva elverktyg utom räckhåll för barn och låt inte personer som inte är bekanta med elverkytet eller dessa instruktioner använda elverkytet.**

Elverktyg är farliga i händerna på utbildade användare.

- e. **Underhåll elverktyg och tillbehör.**Kontrollera om rörliga delar är felinriktade eller fastnar, delar som går sönder och andra tillstånd som kan påverka elverktygets funktion.Om det är skadat, låt det elverktyg repareras före användning. Många olyckor orsakas av dåligt underhållna elverktyg.

- f. **Håll skärverktyg vassa och rena.**Korrekt underhållna skärverktyg med vassa skäreppor är mindre benägna att binda och är lättare att kontrollera.

- g. **Använd elverktyget, tillbehören och verktygsbitar etc.i enlighet med dessa instruktioner, med hänsyn till arbetsförhållandena och det arbete som ska utföras.**Användning av elverktyget för andra operationer än de avsedda kan resultera i en farlig situation.

- h. **Håll handtag och greppytor torra, rena och fri från olja och fett.**Halta handtag och grepp ytor tillåter inte säker hantering och kontroll av verktyg i oväntade situationer.

5. Batteriverktyg användning och skötsel

- a. **Ladda endast med den laddare som anges av tillverkaren.**En laddare som är lämplig för en typ av batteripaket kan skapa brandrisk när den används med ett annat batteripaket.

- b. **Använd endast elverktyg med specifikt avsedda batteripaket.**Användning av andra batteripaket kan skapa risk för skador och brand.

- c. **När batteriet inte används, håll det borta från andra metallföremål, som gem, mynt, nycklar, spikar, skruvar eller andra små metallföremål, som kan göra en anslutning från en terminal till en annan.**Kortslutning av batteripolerna kan orsaka brännskador eller brand.

- d. **Under otillåtna förhållanden kan vätska sprutas ut från batteriet; Undvik kontakt.**Om kontakt inträffar av misstag, spola med vatten.Om vätska kommer i kontakt med ögonen, sök dessutom medicinsk hjälp.Vätska som sprutas ut från batteriet kan orsaka irritation eller brännskador.

- e. **Använd inte ett batteripaket eller ett verktyg som är skadat eller modifierat.**Skadade eller modifierade batterier kan uppvisa oförutsägbart beteende som kan leda till brand, explosion eller risk för skada.

- f. **Utsätt inte ett batteripaket eller ett verktyg för eld eller för hög temperatur.**Exponering för brand eller temperaturer över 130 °C kan orsaka explosion.

- g. **Följ alla laddningsinstruktioner och ladda inte batteripaketet eller verktyget utanför det temperaturintervall som anges i instruktionerna.**Felaktig laddning eller vid temperaturer utanför det

specifierade intervallet kan skada batteriet och öka risken för brand.

6. Service

- a. **Låt en kvalificerad reparatör serva ditt elverktyg med endast identiska reservdelar.**Detta säkerställer att elverktygets säkerhet upprätthålls.

- b. **Utför aldrig service på skadade BATTERIpaket.**Service av BATTERIpaket bör endast utföras av tillverkaren eller auktoriserade serviceleverantörer.

Ytterligare varningar för elverktygssäkerhet

- ◆ **Använd hjälphandtag som medföljer verktyget.**Förlust av kontroll kan orsaka personskador.

- ◆ **Håll elverktyget i de isolerade greppytorna när du utför en operation där skärtillbehöret kan komma i kontakt med dolda ledningar.**Skärtillbehör som kommer i kontakt med en "strömförande" ledning kan göra att exponerade metalldelar på elverktyget blir "strömförande" och kan ge operatören en elektrisk stöt.

- ◆ **Håll elverktyget i de isolerade greppytorna när du utför en operation där fästelementet kan komma i kontakt med dolda ledningar.**Fästelement som kommer i kontakt med en "spänningsförande" ledning kan göra exponerade metalldelar på elverktyget "strömförande" och kan ge operatören en elektrisk stöt.

- ◆ **Använd klämmor eller annat praktiskt sätt för att fästa och stöjda arbetsstycket på en stabil plattform.**Att hålla arbetet för hand eller mot kroppen gör det instabilt och kan leda till att du förlorar kontrollen.

- ◆ **Innan du borrar i väggar, golv eller tak, kontrollera platsen för kablar och rör.**

- ◆ **Undvik att vidröra spetsen på en borr precis efter borrhningen, eftersom den kan vara varm.**

- ◆ **Avsedd användning beskrivs i denna bruksanvisning.**Användning av något tillbehör eller tillbehör eller utförande av någon annan operation med detta verktyg än de som rekommenderas i denna bruksanvisning kan innebära en risk för personskada och/eller skada på egendom.

Andras säkerhet

- ◆ **Låt aldrig barn, personer med nedsatt fysisk, sensorisk eller mental förmåga eller bristande erfarenhet och kunskap eller personer som inte känner till dessa instruktioner använda maskinen,**

- ◆ **lokala bestämmelser kan begränsa operatörens ålder.**

- ◆ **Använd aldrig maskinen när människor, särskilt barn, eller husdjur är i närheten.**

Ytterligare säkerhetsinstruktioner för sladdlösa spikpistoler

- ◆ **Bär alltid skyddsglasögon.**

- ◆ **Använd alltid hörselskydd.**

- ◆ Använd endast fästanordningar av den typ som anges i bruksanvisningen.
- ◆ Använd inga stativ för att montera verktyget på en Stöd.
- ◆ Plocka inte isär eller blockera några delar av fästanordningens indrivningsverktyg såsom kontaktutlösningen.
- ◆ Kontrollera före varje operation att säkerheten och utlösningmekanismen fungerar korrekt och att alla muttrar och bultar är åtdragna.
- ◆ Använd inte verktyget som en hammare.
- ◆ Använd inte verktyget på en stege.
- ◆ Rikta aldrig något fungerande fästdon mot dig själv eller någon annan person.
- ◆ Håll verktyget på ett sådant sätt under arbetet att inga skador kan uppstå på huvudet eller kroppen vid eventuell rekyl på grund av avbrott i energitillförseln eller hårda områden i arbetsstycket.
- ◆ Manövrera aldrig fästelementets drivverktyg till fritt utrymme.
- ◆ Bär verktyget på arbetsplatsen på arbetsplatsen med endast ett handtag och aldrig med avtryckaren aktiverad.
- ◆ Tänk på förhållandena i arbetsområdet. Fästelement kan penetrera tunna arbetsstycken eller glida av hörn och kanter på arbetsstycket och därmed utsätta människor för fara.
- ◆ Kör inte in fästelement nära kanten på arbetsstycket.
- ◆ Kör inte fästelement ovanpå andra fästelement.
- ◆ Utgå alltid från att verktyget innehåller fästelement. Slarvig hantering av spikpistolen kan resultera i oväntad avfyring av fästelement och personskador.
- ◆ Rikta inte verktyget mot dig själv eller någon i närheten. Öväntad utlösning kommer att lossa fästelementet och orsaka skada.
- ◆ Manövrera inte verktyget om det inte är placerat stadigt mot arbetsstycket. Om verktyget inte är i kontakt kan fästelementet böjas bort från ditt mål.
- ◆ Koppla bort verktyget från strömkällan när fästelementet fastnar i verktyget. När du tar bort ett fastnat fästelement kan spikpistolen aktiveras av misstag om den är ansluten.
- ◆ Använd inte detta verktyg för att fästa elkablar. Den är inte avsedd för elkabelinstallation och kan skada isoleringen av elkablar och därigenom orsaka elektriska stötar eller brandrisk.

implementering av säkerhetsanordningar kan vissa kvarvarande risker inte undvikas. Dessa inkluderar:

- ◆ Skador orsakade av beröring av roterande/rörliga delar.
- ◆ Skador orsakade vid byte av delar, knivar eller tillbehör.
- ◆ Skador orsakade av långvarig användning av ett verktyg. När du använder något verktyg under längre perioder, se till att du tar regelbundna pauser.
- ◆ Nedsatt hörsel.
- ◆ Hälsorisker orsakade av inandning av damm som bildas när du använder ditt verktyg (exempel: arbete med trä, speciellt ek, bok och MDF.)

Buller och vibrationer

De deklarerade buller- och vibrationsemissionsvärdena som anges i tekniska data och försäkran om överensstämmelse har uppmätts i enlighet med en standardtestmetod som tillhandahålls av EN60745 och kan användas för att jämföra ett verktyg med ett annat. Det deklarerade buller- och vibrationsemissionsvärdet kan också användas vid en preliminär bedömning av exponeringen.

Varning! Buller- och vibrationsemissionsvärdet vid faktisk användning av elverktyget kan skilja sig från det deklarerade värdet beroende på hur verktyget används. Ljud- och vibrationsnivån kan öka över den angivna nivån.

Vid bedömning av buller- och vibrationsexponering för att fastställa säkerhetsåtgärder som krävs enligt 2002/44/EG för att skydda personer som regelbundet använder elverktyg i anställning, bör en uppskattning av buller- och vibrationsexponering beakta, de faktiska användningsförhållandena och hur verktyget används, inklusive att ta hänsyn till alla delar av arbetscykeln såsom tidpunkterna när verktyget är avstängt och när det går på tomgång utöver utlösningstiden.

Etiketter på verktyg

Följande symboler visas på verktyget tillsammans med datumkoden:



Varning! För att minska risken för skador måste användaren läsa bruksanvisningen.



Varning! För att minska risken för skador måste användaren bära hörsel- och ögonskydd.



Varning: Stirra inte på driftslampan.



För att belysa den omedelbara arbetsytan samt en indikator för låg batterinivå och en indikator för fastnat spik.

Resterande risker

Ytterligare kvarstående risker kan uppstå vid användning av verktyget som kanske inte ingår i de bifogade säkerhetsvarningarna. Dessa risker kan uppstå från felaktig användning, långvarig användning etc.

Även med tillämpning av relevanta säkerhetsföreskrifter och



Håll händer och kroppsdelar borta från omedelbart arbetsområde.

Ytterligare säkerhetsanvisningar för batterier och laddare

Batterier

- ◆ Försök aldrig öppna av någon anledning.
- ◆ Utsätt inte batteriet för vatten.
- ◆ Förvara inte på platser där temperaturen kan överstiga 40 °C.
- ◆ Ladda endast vid omgivningstemperaturer mellan 10 °C och 40 °C.
- ◆ Vid kassering av batterier, följ instruktionerna i avsnittet "Skydda miljön".
- ◆ Skada/deformera inte batteripaketet varken genom punktering eller stötar, eftersom det kan skapa risk för skador och brand.
- ◆ Ladda inte skadade batterier.
- ◆ Under extrema förhållanden kan batteriläckage inträffa. När du märker vätska på batterierna Torka försiktigt bort vätskan med en trasa. Undvik hudkontakt.
- ◆ Vid hud- eller ögonkontakt, följ instruktionerna nedan.

Varning! Batterivätskan kan orsaka personskador eller skador på egendom. Vid hudkontakt, skölj omedelbart med vatten. Om rodnad, smärta eller irritation uppstår, sök läkare. Vid ögonkontakt, skölj omedelbart med rent vatten och sök läkare.



Försök inte ladda skadade batterier

Chargers

- ◆ Använd endast din STANLEY FATMAX-laddare för att ladda batteriet i verktyget som det levererades med. Övriga batterier kan spricka och orsaka personskador och skador.
- ◆ Försök aldrig att ladda icke-uppladdningsbara batterier.
- ◆ Byt ut defekta sladdar omedelbart.
- ◆ Utsätt inte laddaren för vatten.
- ◆ Öppna inte laddaren.
- ◆ Undersök inte laddaren

Symboler på laddaren



Laddaren är endast avsedd för inomhusbruk.



Läs bruksanvisningen före användning.

Elsäkerhet



Din adapter är dubbelisolerad; därför behövs ingen jordledning. Kontrollera alltid att nätspänningen motsvarar spänningen på märkskylten. Försök aldrig att byta ut adapternheten mot en vanlig nätkontakt.

Features

This appliance includes some or all of the following features.

1. Avtryckare
2. Aktivera läs-av-brytare
3. Djupjusteringshjul
4. Djupjusteringsindikator
5. Indikator för arbetsstrålkastare/lågt batteri/stopp/stopp
6. Stanna frigöringsspaken
7. Spärr för rensning av stopp
8. Kontakttresa
9. Tidning
10. Tryckspärr
11. Plats för tillbehörsfäste
12. Batteri

Använda sig av

Varning! Låt verktyget arbeta i sin egen takt. Överbelasta inte.

Ladda batteriet (Fig. A)

Batteriet måste laddas före första användningen och när det inte producerar tillräckligt med ström på jobb som var lätta att utföra tidigare.

Batteriet kan bli varmt under laddning; detta är normalt och indikerar inte något problem.

Varning! Ladda inte batteriet vid omgivningstemperaturer under 10 °C eller över 40 °C. Rekommenderad laddningstemperatur: ca. 24 °C.

Obs: Laddaren laddar inte ett batteri om celltemperaturen är under cirka 10 °C eller över 40 °C.

Batteriet bör sitta kvar i laddaren och laddaren börjar laddas automatiskt när celltemperaturen värms upp eller svalnar.

Obs: För att säkerställa maximal prestanda och livslängd för litiumjonbatterier, ladda batteripaketet helt innan först use.

- ◆ Anslut laddaren (13) till ett lämpligt uttag innan du sätter i batteripaketet (12).
- ◆ Den gröna laddningslampan (13a) blinkar kontinuerligt för att indikera att laddningsprocessen har startat.
- ◆ Slutförd laddning indikeras av att den gröna laddningslampan (13a) lyser konstant. Batteripaketet (12) är fulladdat och kan tas bort och användas vid denna tidpunkt eller lämnas kvar i laddaren (13).
- ◆ Ladda urladdade batterier inom 1 vecka. Batteriets livslängd försämras avsevärt om det förvaras i urladdat tillstånd.

Laddare LED-lägen

	Laddning: Grön LED Intermittent	
	Fulladdad: Fast grön lysdiod	
	Varm/ kall packningsfördröjning: Grön LED Intermittent Fast röd LED	

Obs: Den eller de kompatibla laddarna laddar inte ett felaktigt batteri. Laddaren kommer att indikera ett felaktigt batteri genom att vägra tända.

Obs: Detta kan också innebära ett problem med en laddare. Om laddaren indikerar ett problem, ta med laddaren och batteripaketet för att testas på ett auktoriserat servicecenter.

Lämnar batteriet i laddaren

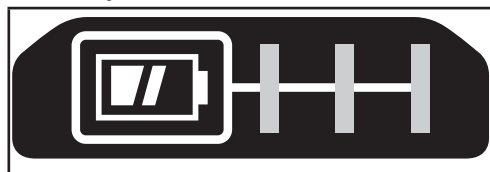
Laddaren och batteripaketet kan lämnas anslutna med lysdioden som lyser oändligt. Laddaren kommer att hålla batteripaketet fräscht och fulladdat.

Hot/Cold Pack Delay

När laddaren upptäcker ett batteri som är för varmt eller för kallt, startar den automatiskt en Hot/Cold Pack Delay, den gröna lysdioden (13a) blinkar intermittent, medan den röda lysdioden (13b) lyser kontinuerligt och avbryter laddningen tills batteriet har nått en lämplig temperatur. Laddaren då växlar automatiskt till paketladdningsläget. Denna funktion säkerställer maximal batteritid.

Batteriets laddningsindikator (Fig. B)

Batteriet har en indikator för laddningstillstånd för att snabbt avgöra omfattningen av batteriets livslängd som visas i figur B. Genom att trycka på knappen för laddningstillstånd (12a) kan du enkelt se den återstående laddningen i batteriet som illustreras i figur B.



Installera och ta bort batteripaketet från verktyget

Varning! Se till att låsknappen är inkopplad för att förhindra att strömbrytaren aktiveras innan du tar bort eller sätter i batteriet.

För att installera batteripaketet (Fig. C)

- ◆ Sätt i batteripaketet ordentligt i verktyget tills ett hörbart klick hörs som visas i figur C. Se till att batteripaketet är helt på plats och helt låst på plats.

För att ta bort batteripaketet (Fig. D)

- ◆ Tryck ned batterifrigöringsknappen (12b) som visas i figur D och dra ut batteripaketet ur verktyget.

Hängkrok (Fig. E, F)

Varning! Ta bort spikar från tidningen innan du gör några justeringar eller service av detta verktyg. Underlåtenhet att göra det kan bli resultatet vid allvarlig skada.

Varning! För att minska risken för allvarliga personskador, placera framåt/bakåt-knappen i låst läge eller stäng av verktyget och koppla bort batteriet innan du gör eventuella justeringar eller ta bort/installera tillbehör eller Tillbehör. En oavsiktlig start kan orsaka skador.

Varning! För att minska risken för allvarliga personskador, se till skruven (15) som håller fast hängkroken sitter fast.

Varning! Placera verktyget på sidan på ett stall när det inte används yta där det inte kommer att orsaka snubbel- eller fallrisk. Vissa verktyg med stora batteripaket kommer att stå upprätt på batteripaketet men kan lätt välts omkull.

Obs: När du fäster eller byter ut hängkroken (14) använd endast skruven (15) som medföljer. Se till att vara säker dra åt skruven. Önskas kroken inte alls kan den tas av verktyget.

För att flytta hängkroken, ta bort skruven (15) som håller fast hängkroken (14) på plats.

Obs: Olika spårväggskrokar och förvaringskonfigurationer finns tillgängliga. Besök vår hemsida www.stanley.eu/3 för mer information.

Operation

Varning! Läs avsnittet med rubriken Säkerhetsvarningar för spikpistol i början av denna handbok. Bär alltid öga och öra skydd när du använder detta verktyg.

Håll spikpistolen riktad bort från dig själv och andra. För säker användning, utför följande procedurer och kontroller före varje användning av spikpistolen.

Varning! För att minska risken för personskada, koppla bort batteripaketet från verktyget och aktivera avtryckaren innan du utför underhåll, rensar spikar som har fastnat, lämnar arbetsområdet, flyttar verktyget till en annan plats eller lämnar verktyget till en annan person.

Varning! Håll fingrarna BORTA från avtryckaren när du inte kör fästelement för att undvika oavsiktlig avfyring. Bär aldrig verktyget med fingret på avtryckaren.

- ◆ Använd lämpliga ögon-, hörsel- och andningsskydd.
- ◆ Ta bort batteripaketet från verktyget och aktivera avtryckarens spärr.

- ◆ Lås påskjutaren i ryggläge och ta bort alla spikremsor från magasinet.
- ◆ Kontrollera att kontaktutlösnings- och påskjutarenheterna fungerar smidigt och korrekt.
Använd inte verktyget om någon av delarna inte fungerar korrekt.
- ◆ Använd aldrig ett verktyg som har skadade delar.

Varning! Använd verktyget med fästelement med en hastighet som inte överstiger 30 gånger/min.

För att manövrera spikpistolen

Varning! Kontaktutlösningen måste tryckas ned följt av ett helt avtryckardrag för varje spik följt av ett släpp av både kontaktutlösningen och avtryckaren efter varje spik.

Varning! Batteriet ska alltid tas bort och avtryckarens spärr aktiveras närhelst några justeringar görs eller när verktyget inte används.

- ◆ Tryck kontaktutlösningen helt mot arbetsytan.
- ◆ Dra av avtryckaren helt och motorn startar. (spik kommer att slå in i arbetsytan).
- ◆ Släpp avtryckaren.
- ◆ Lyft kontakten från arbetsytan.
- ◆ Upprepa ovanstående 4 steg för nästa applicering.

Förbereder verktyget

Varning! Spraya ALDRIG eller på något annat sätt applicera olja, smörjmedel eller rengöringsmedel inuti verktyget. Detta kan allvarligt påverka verktygets livslängd och prestanda.

Varning! Batteriet ska alltid tas bort och avtryckarens spärr aktiveras närhelst några justeringar görs eller när verktyget inte används.

- ◆ Läs avsnittet Säkerhetsinstruktioner i denna handbok.
- ◆ Använd ögon- och hörselskydd.
- ◆ Ta bort batteriet från verktyget och ladda helt.
- ◆ Se till att magasinet är tomt på alla fästelement.
- ◆ Kontrollera att kontaktutlösnings- och påskjutarenheterna fungerar smidigt och korrekt. Använd inte verktyget om någon av delarna inte fungerar korrekt.
- ◆ Håll verktyget riktat bort från dig själv och andra.
- ◆ Sätt i ett fulladdat batteri.

Rätt handposition (Fig. G)

Varning! För att minska risken för allvarliga personskador, använd ALLTID korrekt handposition som visas i figur G.

Varning! För att minska risken för allvarliga personskador, Håll ALLTID säkert i väntan på en plötslig reaktion. Korrekt handposition kräver en hand på huvudhandtaget.

Justering av djup (Fig. H)

Djupet som fästelementet drivs in kan justeras med hjälp av djupjusteringshjulet (3) på sidan av verktyget.

Varning! För att minska risken för allvarlig skada på grund av oavsiktlig aktivering vid försök att justera djupet, ska alltid:

- ◆ Ta bort batteripaketet.
- ◆ Aktivera avtryckarspärren.
- ◆ Undvik kontakt med avtryckaren under justeringar.

Djupinställningarna är på en glidande skala (4). Den vänstra sidan anger den djupaste och den högra sidan anger den grundaste.

- ◆ För att slå en spik djupare, vrid djupjusteringshjulet (3) nedåt. Detta kommer att skjuta djupjusteringsindikatorn (4) åt vänster på skalan.
- ◆ För att köra en spik grundare, vrid djupjusteringshjulet (3) uppåt. Detta kommer att skjuta djupjusteringsindikatorn (4) åt höger på skalan.

Ladda och lossa verktyget (Fig. I, J)

Varning! Håll verktyget riktat bort från dig själv och andra. Allvarlig personskada kan bli följden.

Varning! Ladda aldrig spikar med kontaktutlösningen eller avtryckaren aktiverad.

Varning! Ta alltid bort batteripaketet innan du laddar eller lossar spikar.

Varning! Batteriet ska alltid tas bort och avtryckarens spärr aktiveras närhelst några justeringar görs eller när verktyget inte används.

Laddar verktyget

- ◆ Tryck på tryckspärren (10) och dra ned magasinet.
- ◆ Sätt in fästelement i sidan av magasinet. Se till att fästspetsarna är placerade mot magasinets framsida, under spikstyrningen (16) i spikkanalen.
- ◆ Stäng magasinet tills det låses på plats.
Varning! Håll fingrarna borta från tryckaren för att förhindra skador.

Avlastning av verktyget

Varning! Batteriet ska alltid tas bort och avtryckarens spärr aktiveras närhelst några justeringar görs eller när verktyget inte används.

- ◆ Tryck på spikspärren och dra ned magasinet.
- ◆ Tippa upp verktyget tills spikarna glider fritt ut ur tidskrift
- ◆ Öppna luckan (7) på nosstycket för att kontrollera att det inte finns några spikar kvar.

Arbetsbelysning (Fig. K)

Det finns arbetsljus (5) placerade på varje sida av spikpistolen. Arbetsbelysningen tänds när kontakten trycks ned.

Obs: Dessa arbetslampor är till för att belysa den omedelbara arbetsytan och är inte avsedda att användas som ficklampor.



Indikator för lågt batteri:

Den vänstra arbetslampan blinkar fyra gånger i följd och stängs sedan av för att indikera lågt batteri.



Indikator för fastnade naglar:

Den högra arbetslampan blinkar kontinuerligt om en spik fastnar i nosstycket (se Rensa en spik som fastnat).

Stall Release (Fig. L)

Varning! Om ett stall uppstår, kommer verktyget att inaktivera sig självt och kommer att kräva att du återställer det. För att göra det, följ instruktionerna för att åtgärda ett avstannat tillstånd. Ta sedan ut batteripaketet och sätt sedan i batteriet igen. Verktyget kommer nu att vara i drift.

Om spikpistolen används i en rigorös tillämpning där alla tillgänglig energi i motorn används för att driva ett fästelement, kan verktyget stanna. Förarbladet slutförde inte körcykeln och indikatorn för fast/stopp blinkar.

Vrid låsspaken (6) på verktyget och mekanismen frigörs som visas i figur L.

Notera! Verktyget kommer att inaktivera sig själv och inte återställas förrän batteripaketet har tagits bort och satts in igen. Om enheten fortsätter att stanna, se över materialet och fästelementets längd för att vara säker på att det inte är en alltför hård applikation. Om föraren bladet återgår inte automatiskt till utgångsläget efter att ha vridit stoppfrigöringsspaken, fortsätt till "rensa en spik som har fastnat".

Rensa en fastspik (Fig. M, N)

Varning! För att minska risken för personskada, koppla bort batteripaketet från verktyget och aktivera avtryckaren innan du utför underhåll eller rensar en spik som har fastnat.

Om en spik fastnar i nosstycket, håll verktyget riktat bort från dig och följ dessa instruktioner för att rensa:

- ◆ Ta bort batteripaketet från verktyget och aktivera avtryckarens spärr.
- ◆ Ta bort alla laddade spikar. Se Ladda och lossa verktyget.
- ◆ Lyft spärren för rensning av stopp 7 och dra sedan uppåt för att öppna den främre luckan 17.
- ◆ Ta bort böjd spik, använd vid behov en tång.

- ◆ Om förarbladet är i nedre läge, cykla stallfrigöringsspaken 6 med tillräckligt stor kraft för att skjuta den helt till den andra änden av skåran i husen.
- ◆ Stäng den främre luckan och haka i låsstiftet under de två armarna 18 på nosstycket. Tryck på spärren tills den låses på plats.
- ◆ Sätt tillbaka batteripaketet.

Varning! Om ett pappersstopp inträffar kommer verktyget att inaktivera sig självt och du måste återställa det. För att göra det, följ instruktionerna för att rensa den fastnade nageln. Ta sedan ut batteripaketet och sätt sedan i batteriet igen.

Verktyget kommer nu att vara i drift.

Obs! Om spikarna skulle fortsätta att fastna ofta vid kontakt, låt ett auktoriserat STANLEY FATMAX-servicecenter serva verktyget.

Operation i kallt väder

Vid användning av verktyg vid temperaturer under fryspunkten:

- ◆ Håll verktyget så varmt som möjligt före användning.
- ◆ Aktivera verktyget 5 eller 6 gånger till skrot innan du använder det.

Drift i hett väder

Verktyget ska fungera normalt. Men håll verktyget borta från direkt solljus eftersom överdriven värme kan försämra stötfångare och andra gummidelar vilket resulterar i ökat underhåll.

No-mar spets (Fig. O)

Verktyget är utrustat med en extra no-mar spets (19) placerad på sidan av spikmagasinet.

För att byta ut no-mar-dynan, dra helt enkelt av den gamla no-mar-dynan och sätt tillbaka den nya no-mar-dynan på kontaktuttaget (8).

Ersättningsdelar

Varning! För att minska risken för personskada, koppla bort batteripaketet från verktyget och aktivera avtryckaren innan du utför underhåll eller rensar en spik som har fastnat.

Verktyget är utrustat med en extra no-mar-spets placerad på sidan av spikmagasinet.

Använd endast identiska reservdelar. För en reservdelslista eller för att beställa delar, besök vår servicewebsite på www.stanley.eu/3co.uk. Du kan även beställa delar från din närmaste STANLEY FATMAX Factory Service Center eller STANLEY FATMAX auktoriserad garanti.

Tillbehör

Varning! Eftersom tillbehör, andra än de som erbjuds av STANLEY FATMAX, inte har testats med denna produkt, kan det vara farligt att använda sådana tillbehör med detta verktyg.

För att minska risken för skador bör endast tillbehör som rekommenderas av STANLEY FATMAX användas med denna produkt. Rekommenderade tillbehör för användning med ditt verktyg är tillgänglig mot extra kostnad från din lokala återförsäljare eller auktoriserad servicecenter.

Felsökning

Om din apparat inte verkar fungera korrekt, följ följande instruktioner. Om detta inte löser problemet, kontakta din lokala STANLEY FATMAX-reparatör.

Varning! Innan du fortsätter, koppla ur apparaten.

Problem	Möjlig orsak	Möjlig lösning
Enheten startar inte.	Batteriet är inte korrekt installerat. Batteriet är inte laddat. Trigger lock-off är engagerad.	Kontrollera installationen av batteripaketet. Kontrollera batteripaketets laddningskrav. Koppla ur avtryckarens spår.
Verktyget gör det inte aktivera. (strålkastare på, motor går inte)	Motorn slutar gå efter 2 sekunder.	Normal drift; släpp avtryckaren eller kontaktlösningen och tryck ned igen.
Verktyget aktiveras inte. (Strålkastarna blinkar)	Låg batteriladdning eller skadat batteri.	Ladda eller byt ut batteriet.
Verktyget aktiveras inte. (Strålkastarna blinkar kontinuerligt)	Fastnat fästelement / verktyg har fastnat. Fast mekanism	Ta bort batteriet, vrid stoppspaken. Rensa det fastnade fästet och sätt tillbaka batteriet. Se auktoriserat servicecenter.
Verktyget aktiveras inte. (strålkastare på, motor går, förbladet fastnat)		Se auktoriserat servicecenter.
Verktyget fungerar, men gör det inte driva fästet helt.	Låg batteriladdning eller skadat batteri. Djupjusteringen är för grunt. Verktyget är inte ordentligt applicerat på arbetsstycket. Material och fästelements längd är för rigorösa.	Ladda eller byt ut batteriet. Vrid djupjusteringshjulet till en djupare miljö. Läs bruksanvisningen. Välj lämpligt material eller fästelements längd.

Underhåll

Din STANLEY FATMAX sladdlösa/sladdlösa apparat/verktyg har designats för att fungera under en lång tidsperiod med ett minimum av underhåll. Kontinuerlig tillfredsställande drift är beroende av korrekt skötsel av verktyg/apparat och regelbunden rengöring.

Varning! Stäng av och koppla ur apparaten innan du utför någon rengöring.

- ◆ Smuts och fett kan avlägsnas från apparatens utsida med en trasa.

Varning! Använd ALDRIG lösningsmedel eller andra starka kemikalier för att rengöra apparatens icke-metalliska delar. Dessa kemikalier kan försvaga materialen som används i dessa delar. Använd en trasa fuktad endast med vatten och mild tvål. Låt aldrig någon vätska komma in i enheten; doppa aldrig ned någon del av enheten i en vätska.

Varning! Spraya ALDRIG eller på något annat sätt applicera smörjmedel eller rengöringsmedel inuti verktyget. Detta kan allvarligt påverka verktygets livslängd och prestanda.

Serviceanteckningar

Denna produkt kan inte underhållas av användaren. Det finns inga delar som användaren kan reparera inuti spikpistolen. Service på ett auktoriserat servicecenter krävs för att undvika skador på statisk känsliga inre komponenter.

Skydda miljön



Separat samling. Produkter och batterier märkta med denna symbol får inte slängas med vanligt hushållsavfall.

Produkter och batterier innehåller material som kan återvinnas eller återvinnas vilket minskar efterfrågan på råvaror.

Vänligen återvinn elektriska produkter och batterier enligt lokala bestämmelser. Mer information finns på www.2helpU.com

Teknisk data

		SFMCN618 Type:1
Spänning	V_{DC}	18
Batterityp		Li-Ion
Aktiveringsläge		Sequential
Magasinivinkel		Straight
Ingen lasthastighet	/min	9000
Drive energi	approx	50J
Vikt (bart verktyg)	kg	2,43

Fästelement		
Längd	mm	16 - 50
Skaftdiameter	mm	1,27
Vinkel		Straight

Detta verktyg är en Bare enhet men kan användas med laddarna i följande tabell.

Laddare		SFMCB10	SFMCB11	SFMCB12	SFMCB14
Inspänning	V_{AC}	230	230	230	230
Utspänning	V_{DC}	18	18	18	18
Current	A	1,25	1,25	2	4

Detta verktyg är en Bare enhet men kan användas med batterierna i följande tabell.

Batteri		SFMCB201	SFMCB202	SFMCB204	SFMCB206
Spänning	V_{DC}	18	18	18	18
Kapacitet	Ah	1,5	2,0	4,0	6,0
Type		Li-Ion	Li-Ion	Li-Ion	Li-Ion

Ljudtrycksnivå enligt EN60745:Ljudtryck (L_{pA}) 84 dB(A), osäkerhet (K) 3 dB(A)Ljudkraft (L_{WA}) 95 dB(A), osäkerhet (K) 3 dB(A)**Totala vibrationsvärden (triaxvektorsumma) enligt EN60745:**Häfta naglar (a_h) 2,8 m/s², osäkerhet (K) 1,8 m/s²**EG-försäkran om överensstämmelse**

MASKINDIREKTIV



SFMCN618 - Sladdlös spikpistol

STANLEY FATMAX förklarar att dessa produkter som beskrivs under 2006/42/EC; EN 60745-1:2009 + A11:2010; EN 60745-2-16:2010.

Dessa produkter överensstämmer också med direktivet 2014/30/EU and 2011/65/EU. För mer information, vänligen kontakta STANLEY FATMAX på följande adress eller se baksidan av manualen. För mer information, vänligen kontakta STANLEY FATMAX på följande adress eller se baksidan av manualen.

Undertecknad ansvarar för sammanställningen av den tekniska filen och gör denna försäkran på uppdrag av STANLEY FATMAX.

Patrick Diepenbach

Patrick Diepenbach
General Manager, Benelux
STANLEY FATMAX,
Egide Walschaertsstraat 14-18
2800 Mechelen, Belgien
30/05/2023

Garanti

STANLEY FATMAX är säker på kvaliteten på sina produkter och erbjuder konsumenterna en 12 månaders garanti från datumet av köpet. Denna garanti är ett komplement till och påverkar inte på något sätt dina lagstadgade rättigheter. Garantin är giltig inom territorierna i Europeiska unionens medlemsstater och det europeiska frihandelsområdet och Storbritannien. För att göra anspråk på garantin måste anspråket vara i enlighet med STANLEY FATMAX villkor och du måste skicka in köpbevis till säljaren eller en auktoriserad reparationsagent. Villkor och villkor för STANLEY FATMAX 1 års garanti och platsen för din närmaste auktoriserade reparationsagent kan erhållas på Internet på www.2helpU.com, eller genom att kontakta ditt lokala STANLEY FATMAX-kontor på adressen som anges i denna manual. Besök vår webbplats www.stanley.eu/3 för att registrera dig din nya STANLEY FATMAX-produkt och få uppdateringar om nya produkter och specialerbjudanden.

Tiltenkt bruk

Din STANLEY FATMAX SFMCN618 batteridrevne spikerpistol er designet for spikring. Dette apparatet er beregnet for profesjonelle og private, ikke-profesjonelle brukere.

Sikkerhetsinstruksjoner**Generelle sikkerhetsadvarsler for elektroverktøy**

Advarsel! Les alle sikkerhetsadvarsler, instruksjoner, illustrasjoner og spesifikasjoner som følger med dette elektroverktøyet. Unnlattelse av å følge advarslene og instruksjonene nedenfor kan føre til elektrisk støt, brann og/eller alvorlig skade.

Lagre alle advarsler og instruksjoner for fremtidig referanse.

Begrepet "elektrisk verktøy" i alle advarslene som er oppført nedenfor, refererer til ditt nettdrevne (med ledning) elektroverktøy eller batteridrevne (trådløse) elektroverktøy.

1. Sikkerhet på arbeidsområdet

- Hold arbeidsområdet rent og godt opplyst.** Rotete eller mørke områder inviterer til ulykker.
- Ikke bruk elektroverktøy i eksplosive atmosfærer, for eksempel i nærvær av brennbare væsker, gasser eller støv.** Elektroverktøy lager gnister som kan antenne støv eller røyk.
- Hold barn og tilskuere unna mens du bruker et elektroverktøy.** Distraksjoner kan føre til at du mister kontrollen.

2. Elektrisk sikkerhet

- Elverktøyplugger må passe til stikkkontakten. Modifiser aldri støpselet på noen måte.** Ikke bruk noen adapterplugger med jordet (jordet) elektroverktøy. Umodifiserte støpsler og matchende stikkontakter vil redusere risikoen for elektrisk støt.
- Unngå kroppskontakt med jodede eller jodede overflater som rør, radiatorer, komfyrer og kjøleskap.** Det er en økt risiko for elektrisk støt hvis kroppen din er jordet eller jordet.
- Ikke utsett elektroverktøy for regn eller våte forhold.** Vann som kommer inn i et elektroverktøy vil øke risikoen for elektrisk støt.
- Ikke misbruk ledningen. Bruk aldri ledningen til å bære, trekke eller koble fra elektroverktøyet.** Hold ledningen unna varme, olje, skarpe kanter eller bevegelige deler. Skadete eller sammenfiltrede ledninger øker risikoen for elektrisk støt.
- Når du bruker et elektroverktøy utendørs, bruk en skjøteledning som er egnet for utendørs bruk.** Bruk av en ledning egnet for utendørs bruk reduserer

risikoen for elektrisk støt.

- f. **Hvis det er uunnåelig å bruke et elektroverktøy på et fuktig sted, bruk en jordfeilbryter (RCD) beskyttet forsyning.** Bruk av en jordfeilbryter reduserer risikoen for elektrisk støt.

3. Personlig sikkerhet

- a. **Vær på vakt, se hva du gjør og bruk sunn fornuft når du bruker et elektroverktøy.** Ikke bruk et elektroverktøy mens du er trøtt eller påvirket av narkotika, alkohol eller medisiner. Et øyeblikks uoppmerksomhet mens du bruker elektroverktøy kan føre til alvorlig personskade.
- b. **Bruk personlig verneutstyr. Bruk alltid øyevern.** Verneutstyr som støvmaske, skliskire vernesko, hjelm eller hørselsvern som brukes for passende forhold vil redusere personskader.
- c. **Forhindre utilsiktet start. Sørg for at bryteren er i av-posisjon før du kobler til strømkilden og/eller batteripakken, plukker opp eller bærer verktøyet.** Å bære elektroverktøy med fingeren på bryteren eller å sette strøm på elektroverktøy som har bryteren på, inviterer til ulykker.
- d. **Fjern eventuell justeringsnøkkel eller skiftenøkkel før du slår på elektroverktøyet.** En skiftenøkkel eller en nøkkel som er festet til en roterende del av elektroverktøyet kan føre til personskade.
- e. **Ikke overdriv. Hold riktig fotfeste og balanse til enhver tid.** Dette gir bedre kontroll over elektroverktøyet i uventede situasjoner.
- f. **Kle deg skikkelig. Ikke bruk løse klær eller smykker. Hold håret, klærne og hanskene unna bevegelige deler.** Løse klær, smykker eller langt hår kan sette seg fast i bevegelige deler.
- g. **Hvis det leveres enheter for tilkobling av støvavsug og oppsamlingsanlegg, sørg for at disse er tilkoblet og riktig brukt.** Bruk av støvoppsamling kan redusere støvrelaterte farer.
- h. **Ikke la kjennskap oppnådd fra hyppig bruk av verktøy lar deg bli selvtillfreds og ignorere verktøysikkerhetsprinsippene.** En uforsiktig handling kan forårsake alvorlig skade i løpet av en brøkdell av et sekund.

4. Bruk og stell av elektroverktøy

- a. **Ikke tving elektroverktøyet. Bruk riktig elektroverktøy for din applikasjon.** Riktig elektroverktøy vil gjøre jobben bedre og sikrere med den hastigheten den ble designet for.
- b. **Ikke bruk elektroverktøyet hvis bryteren ikke slår det på og av.** Ethvert elektroverktøy som ikke kan kontrolleres med bryteren er farlig og må repareres.
- c. **Koble støpselet fra strømkilden og/eller batteripakken**

fra elektroverktøyet før du foretar justeringer, skifter tilbehør eller oppbevarer elektroverktøy. Slike forebyggende sikkerhetsiltak reduserer risikoen for å starte elektroverktøyet ved et uhell.

- d. **Oppbevar inaktivt elektroverktøy utilgjengelig for barn og la ikke personer som ikke er kjent med elektroverktøyet eller disse instruksjonene bruke elektroverktøyet.** Elektroverktøy er farlig i hendene på utrente brukere.
- e. **Vedlikehold elektroverktøy og tilbehør.** Sjekk for feiljustering eller binding av bevegelige deler, brudd på deler og andre forhold som kan påvirke driften av elektroverktøyet. Hvis det er skadet, få elektroverktøyet reparert før bruk. Mange ulykker er forårsaket av dårlig vedlikeholdt elektroverktøy.
- f. **Hold skjæreverktøy skarpe og rene.** Riktig vedlikeholdt skjæreverktøy med skarpe skjærekanten har mindre sannsynlighet for å binde seg og er lettere å kontrollere.
- g. **Bruk elektroverktøyet, tilbehør og verktøybits etc. i samsvar med disse instruksjonene, og ta hensyn til arbeidsforholdene og arbeidet som skal utføres.** Bruk av elektroverktøyet til andre operasjoner enn det som er tiltenkt, kan føre til en farlig situasjon.
- h. **Hold håndtak og gripeflater tørre, rene og fri for olje og fett.** Glatte håndtak og grep overflater tillater ikke sikker håndtering og kontroll av verktøy i uventede situasjoner.

5. Bruk og vedlikehold av batteriverktøy

- a. **Lad kun med laderen spesifisert av produsenten.** En lader som er egnet for én type batteripakke kan skape brannfare når den brukes med en annen batteripakke.
- b. **Bruk kun elektroverktøy med spesifikt utpakte batteripakker.** Bruk av andre batteripakker kan skape risiko for skader og brann.
- c. **Når batteripakken ikke er i bruk, hold den unna andre metallgjenstander, som binders, mynter, nøkler, spiker, skruer eller andre små metallgjenstander, som kan koble fra en terminal til en annen.** Kortslutning av batteripolene kan føre til brannskader eller brann.
- d. **Under dårlige forhold kan væske strømme ut fra batteriet; unngå kontakt.** Hvis kontakt oppstår ved et uhell, skyll med vann. Hvis væske kommer i kontakt med øynene, søk i tillegg medisinsk hjelp. Væske som kommer ut av batteriet kan forårsake irritasjon eller brannskader.
- e. **Ikke bruk en batteripakke eller et verktøy som er skadet eller modifisert.** Skadede eller modifiserte batterier kan vise uforutsigbar oppførsel som resulterer i brann, eksplosjon eller fare for skade.
- f. **Ikke utsett en batteripakke eller et verktøy for ild eller for høy temperatur.** Eksponering for brann eller temperatur over 130 °C kan forårsake eksplosjon.
- g. **Følg alle ladeinstruksjoner og ikke lad batteripakken**

eller verktøyet utenfor temperaturområdet spesifisert i instruksjonene. Feil lading eller ved temperaturer utenfor spesifisert område kan skade batteriet og øke risikoen for brann.

6. Service

- a. Få elektroverktøyet ditt til service av en kvalifisert reparasjonsperson som kun bruker identiske reservedeler. Dette vil sikre at sikkerheten til elektroverktøyet opprettholdes.
- b. **Utfør aldri service på skadede BATTERI-pakker.** Service av BATTERI-pakker skal kun utføres av produsenten eller autoriserte serviceleverandører.

Ytterligere sikkerhetsadvarsler for elektroverktøy

- ◆ **Bruk hjelpehåndtak som følger med verktøyet.** Tap av kontroll kan forårsake personskade.
- ◆ **Hold elektroverktøyet i de isolerte gripeflatene når du utfører en operasjon der skjæretilbehøret kan komme i kontakt med skjulte ledninger.** Kuttetilbehør som kommer i kontakt med en "strømførende" ledning kan gjøre utsatte metalldeleler på elektroverktøyet "strømførende" og kan gi operatøren et elektrisk støt.
- ◆ **Hold elektroverktøyet i de isolerte gripeflatene når du utfører en operasjon der festet kan komme i kontakt med skjulte ledninger.** Festemidler som kommer i kontakt med en "strømførende" ledning kan gjøre eksponerte metalldeleler på elektroverktøyet "strømførende" og kan gi operatøren et elektrisk støt.
- ◆ **Bruk klemmer eller en annen praktisk måte å feste og støtte arbeidsstykket til en stabil plattform.** Å holde arbeidet for hånd eller mot kroppen gjør det ustabil og kan føre til tap av kontroll.
- ◆ **Før du borer i vegger, gulv eller tak, må du kontrollere plasseringen av ledninger og rør.**
- ◆ **Unngå å berøre tuppen av en borkrone like etter boring, da den kan være varm.**
- ◆ **Tiltenkt bruk er beskrevet i denne bruksanvisningen.** Bruk av tilbehør eller tilbehør eller utførelse av andre operasjoner med dette verktøyet enn de som er anbefalt i denne bruksanvisningen kan utgjøre en risiko for personskade og/eller skade på eiendom.

Andres sikkerhet

- ◆ La aldri barn, personer med reduserte fysiske, sensoriske eller mentale evner eller mangel på erfaring og kunnskap eller personer som ikke er kjent med disse instruksjonene bruke maskinen.
- ◆ lokale forskrifter kan begrense alderen til operatøren.
- ◆ Bruk aldri maskinen mens mennesker, spesielt barn, eller kjæledyr er i nærheten.

Ytterligere sikkerhetsinstruksjoner for batteridrevne spikerpistoler

- ◆ **Bruk alltid vernebriller.**
- ◆ **Bruk alltid hørselsvern.**
- ◆ **Bruk kun festemidler av typen spesifisert i håndboken.**
- ◆ **Ikke bruk stativer for å montere verktøyet til en Brukerstøtte.**
- ◆ **Ikke demonter eller blokker noen deler av festeverktøyet, for eksempel kontaktutløseren.**
- ◆ **Kontroller før hver operasjon at sikkerheten og utløsermekanismen fungerer som den skal og at alle muttere og bolter er stramme.**
- ◆ **Ikke bruk verktøyet som en hammer.**
- ◆ **Ikke bruk verktøyet på en stige.**
- ◆ **Rett aldri et operativt festeverktøy mot deg selv eller noen annen person.**
- ◆ **Hold verktøyet på en slik måte under arbeid at det ikke kan oppstå skader på hodet eller kroppen ved en eventuell rekyl på grunn av avbrudd i energitilførselen eller harde områder i arbeidsstykket.**
- ◆ **Aktiver aldri festeverktøyet til fri plass.**
- ◆ **Bær verktøyet på arbeidsplassen i arbeidsområdet med kun ett håndtak, og aldri med avtrekkeren aktivert.**
- ◆ **Tenk på forholdene i arbeidsområdet** Festemidler kan trenge gjennom tynne arbeidsstykker eller skli av hjørner og kanter på arbeidsstykket, og dermed sette mennesker i fare.
- ◆ **Kjør ikke festemidler nær kanten av arbeidsstykket.**
- ◆ **Ikke kjør festemidler oppå andre festemidler.**
- ◆ **Anta alltid at verktøyet inneholder festemidler.** Uforsiktig håndtering av spikerpistolen kan føre til uventet avfyring av festemidler og personskade.
- ◆ **Ikke rett verktøyet mot deg selv eller noen i nærheten.** Uventet utløsning vil tømme festeanordningen og forårsake skade.
- ◆ **Ikke aktiver verktøyet med mindre det er plassert godt mot arbeidsstykket.** Hvis verktøyet ikke er i kontakt, kan festet bli bøyd bort fra målet.
- ◆ **Koble verktøyet fra strømkilden når festet setter seg fast i verktøyet.** Når du fjerner et fastklemt feste, kan spikerpistolen bli aktivert ved et uhell hvis den er pluggert inn.
- ◆ **Ikke bruk dette verktøyet til å feste elektriske kabler.** Den er ikke designet for installasjon av elektriske kabler og kan skade isolasjonen til elektriske kabler og dermed forårsake elektrisk støt eller brannfare.

Restrisiko

Ytterligere gjenværende risikoer kan oppstå ved bruk av verktøyet som kanskje ikke er inkludert i de vedlagte sikkerhetsadvarslene.

Disse risikoene kan oppstå ved misbruk, langvarig bruk osv.

Selv med anvendelse av relevante sikkerhetsforskrifter og implementering av sikkerhetsanordninger, kan visse gjenværende risikoer ikke unngås. Disse inkluderer:

- ◆ Skader forårsaket av berøring av roterende/beveglige deler.
- ◆ Skader forårsaket ved bytte av deler, kniver eller tilbehør.
- ◆ Skader forårsaket av langvarig bruk av et verktøy. Når du bruker verktøy i lengre perioder, sørg for at du tar regelmessige pauser.
- ◆ Nedsatt hørsel.
- ◆ Helsefarer forårsaket av innånding av støv som utvikles når du bruker verktøyet (eksempel: arbeid med tre, spesielt eik, bøk og MDF.)

Støy og vibrasjoner

De deklærte støy- og vibrasjonsutslippsverdiene oppgitt i de tekniske dataene og samsvarserklæringen er målt i henhold til en standard testmetode gitt av EN60745 og kan brukes til å sammenligne ett verktøy med et annet. Den oppgitte støy- og vibrasjonsutslippsverdien kan også brukes i en foreløpig vurdering av eksponering.

Advarsel! Støy- og vibrasjonsemissjonsverdien under faktisk bruk av elektroverktøyet kan avvike fra den oppgitte verdien avhengig av måten verktøyet brukes på. Støy- og vibrasjonssnivået kan øke over det oppgitte nivået.

Ved vurdering av støy- og vibrasjonseksponering for å bestemme sikkerhetstiltak som kreves av 2002/44/EC for å beskytte personer som regelmessig bruker elektroverktøy i arbeid, bør en estimering av støy- og vibrasjonseksponering ta hensyn til, de faktiske bruksforholdene og måten verktøyet brukes på, inkludert å ta hensyn til alle deler av driftssyklusen som tidspunktene når verktøyet er slått av og når det går på tomgang i tillegg til utløsertiden.

Etiketter på verktøyet

Følgende symboler vises på verktøyet sammen med datokoden:



Advarsel! For å redusere risikoen for skade, må brukeren lese bruksanvisningen.



Advarsel! For å redusere risikoen for skader, må brukeren bruke øre- og øyevern.



Forsiktig! Ikke stirr på driftslampen.



For å lyse opp den umiddelbare arbeidsflaten samt en indikator for lavt batteri og en indikator for fastkjørt spiker.



Hold hender og kroppsdeler unna umiddelbar arbeidsområde.

Ytterligere sikkerhetsinstruksjoner for batterier og ladere

Batterier

- ◆ Forsøk aldri å åpne av noen grunn.
- ◆ Ikke utsett batteriet for vann.
- ◆ Ikke oppbevar på steder der temperaturen kan overstige 40 °C.
- ◆ Lad kun ved omgivelsestemperaturer mellom 10 °C og 40 °C.
- ◆ Når du kaster batterier, følg instruksjonene gitt i avsnittet "Beskytte miljøet".
- ◆ Ikke skade/deformer batteripakken verken ved punktering eller slag, da dette kan skape fare for skade og brann.
- ◆ Ikke lad opp skadede batterier.
- ◆ Under ekstreme forhold kan batterilekkasje oppstå. Når du oppdager væske på batteriene Tørk forsiktig av væsken med en klut. Unngå hudkontakt.
- ◆ Ved hud- eller øyekontakt, følg instruksjonene nedenfor.

Advarsel! Batterivæsken kan forårsake personskade eller skade på eiendom. Ved hudkontakt, skylld umiddelbart med vann. Hvis rødhet, smerte eller irritasjon oppstår, søk legehjelp. Ved øyekontakt, skylld umiddelbart med rent vann og søk legehjelp.



Ikke forsøk å lade skadede batterier

Ladere

- ◆ Bruk kun STANLEY FATMAX-ladere til å lade batteriet i verktøyet det ble levert med. Annen batterier kan sprekke og forårsake personskade og skade.
- ◆ Forsøk aldri å lade ikke-oppladbare batterier.
- ◆ Få defekte ledninger skiftet ut umiddelbart.
- ◆ Ikke utsett laderen for vann.
- ◆ Ikke åpne laderen.
- ◆ Ikke undersøk laderen

Symboler på laderen



Ladere er kun beregnet for innendørs bruk.



Les bruksanvisningen før bruk.

Elektrisk sikkerhet



Adapteren din er dobbeltisolert; derfor er ingen jordledning nødvendig. Kontroller alltid at nettspenningen samsvarer med spenningen på typeskiltet. Forsøk aldri å bytte ut adapterenheten med en vanlig stikkontakt.

Funksjoner

Dette apparatet inneholder noen eller alle av følgende funksjoner.

1. Utløserbryter
2. Utløserlås-av-bryter
3. Dybdejusteringshjul
4. Indikator for dybdejustering
5. Arbeidslys/lavt batteri/stopp/stopp-indikator
6. Stopp utløserpakken
7. Løsningslås for papirstopp
8. Kontaktreise
9. Magasin
10. Skyvelås
11. Tilbehørsfesteplassering
12. Batteri

Bruk

Advarsel! La verktøyet jobbe i sitt eget tempo. Ikke overbelast.

Lading av batteriet (Fig. A)

Batteriet må lades før første gangs bruk og når det ikke klarer å produsere tilstrekkelig kraft på jobber som var enkelt gjort før. Batteriet kan bli varmt under lading; dette er normalt og indikerer ikke et problem.

Advarsel! Ikke lad batteriet ved omgivelsestemperaturer under 10 °C eller over 40 °C. Anbefalt ladetemperatur: ca. 24 °C.



Merk: Laderen vil ikke lade et batteri hvis celledemperaturen er under ca. 10 °C eller over 40 °C.





Batteriet bør stå i laderen og laderen vil begynne å lade automatisk når celledemperaturen varmes opp eller avkjøles.

Merk: For å sikre maksimal ytelse og levetid til litiumionbatteripakker, lad batteripakken helt opp før første gangs bruk.

- ◆ Koble laderen (13) til en passende stikkontakt før du setter inn batteripakken (12).
- ◆ Den grønne ladelampen (13a) vil blinke kontinuerlig for å indikere at ladeprosessen har startet.
- ◆ Fullført lading vil indikeres ved at den grønne ladelampen (13a) forblir PÅ kontinuerlig. Batteripakken (12) er fulladet og kan tas ut og brukes på dette tidspunktet eller la den ligge i laderen (13).
- ◆ Lad utladede batterier innen 1 uke. Batterilevetiden vil bli sterkt redusert hvis den lagres i utladet tilstand.

Lader LED-moduser

	Lader: Grønn LED Intermitterende	
--	--	---

	Fulladet: Grønn LED fast	
	Varm/kald pakkeforsinkelse: Grønn LED Intermitterende Rød LED fast	

Merk: Den(e) kompatible laderen vil ikke lade en defekt batteripakke. Laderen vil indikere en defekt batteripakke ved å nekte å lyse.

Merk: Dette kan også bety et problem med en lader. Hvis laderen indikerer et problem, ta med laderen og batteripakken for å bli testet på et autorisert servicesenter.

La batteriet ligge i laderen

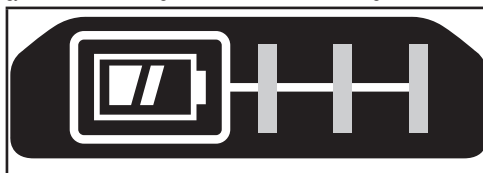
Laderen og batteripakken kan stå tilkoblet med LED-en som lyser på ubestemt tid. Laderen vil holde batteripakken frisk og fulladet.

Varm/kald pakkeforsinkelse

Når laderen oppdager et batteri som er for varmt eller for kaldt, starter den automatisk en Hot/Cold Pack Delay, den grønne LED-en (13a) vil blinke med jevne mellomrom, mens den røde LED-en (13b) vil forbli på kontinuerlig, og avbryter ladingen til batteriet har nådd en passende temperatur. Laderen da bytter automatisk til pakkeladmodus. Denne funksjonen sikrer maksimal batterilevetid.

Indikator for ladetilstand for batteri (Fig. B)

Batteriet inkluderer en ladetilstandsindikator for raskt å bestemme omfanget av batterilevetid som vist i figur B. Ved å trykke på ladetilstandsknappen (12a) kan du enkelt se gjenværende lading i batteriet som illustrert i figur B.



Installere og ta ut batteripakken fra verktøyet

Advarsel! Sørg for at låseknappen er aktivert for å forhindre at bryteren aktiveres før du tar ut eller setter inn batteriet.

Slik installerer du batteripakken (Fig. C)

- ◆ Sett batteripakken godt inn i verktøyet til det høres et hørbart klikk som vist i figur C. Sørg for at batteripakken er helt på plass og helt låst på plass.

For å fjerne batteripakken (Fig. D)

- ◆ Trykk inn batteriutløserknappen (12b) som vist i figur D og trekk batteripakken ut av verktøyet.

Hengekrok (Fig. E, F)

Advarsel! Fjern spiker fra magasinet før du lager noen justeringer eller service på dette verktøyet. Unnlattelse av å gjøre det kan resultere i alvorlig skade.

Advarsel! For å redusere risikoen for alvorlig personskade, sett forover/bakover-knappen i låst posisjon eller slå av verktøyet og koble fra batteripakken før du lager eventuelle justeringer eller fjerning/installasjon av vedlegg eller tilbehør. En utilsikket oppstart kan forårsake skade.

Advarsel! For å redusere risikoen for alvorlig personskade, sørg for skruen (15) som holder hengekroken er festet.

Forsiktig: Når det ikke er i bruk, plasser verktøyet på siden på en stall overflate der den ikke vil forårsake snuble- eller fallfare. Noen verktøy med store batteripakker vil stå oppreist på batteripakke, men kan lett bli vellet.

Merk: Når du fester eller bytter ut hengekroken (14), bruk bare skruen (15) som følger med. Pass på å være sikker stram til skruen. Hvis kroken ikke er ønsket i det hele tatt, kan den tas av verktøyet.

For å flytte hengekroken, fjern skruen (15) som holder heng kroken (14) på plass.

Merk: Ulike sporveggkroker og lagringskonfigurasjoner er tilgjengelige.

Vennligst besøk vår hjemmeside www.stanley.eu/3 for mer informasjon.

Operasjon

Advarsel! Les avsnittet med tittelen Advarsler for spikerpistol i begynnelsen av denne håndboken. Bruk alltid øye og øre beskyttelse når du bruker dette verktøyet.

Hold spikerpistolen pekt vekk fra deg selv og andre. For sikker bruk, fullfør følgende prosedyrer og kontroller før hver bruk av spikerpistolen.

Advarsel! For å redusere risikoen for personskade, koble batteripakken fra verktøyet og aktiver utløserlåsen før du utfører vedlikehold, fjerner spiker som sitter fast, forlater arbeidsområdet, flytter verktøyet til et annet sted eller overlater verktøyet til en annen person.

Advarsel! Hold fingrene BORTE fra avtrekkeren når du ikke kjører fester for å unngå utilsikket avfyring. Bær aldri verktøyet med fingeren på avtrekkeren.

- ◆ Bruk riktig øye-, hørsels- og åndedrettsvern.
- ◆ Fjern batteripakken fra verktøyet og aktiver utløserlåsen.
- ◆ Lås skyveren i bakposisjon og fjern alle spikerstrimler fra magasinet.
- ◆ Kontroller at kontaktutløser- og skyverenheten fungerer jevnt og korrekt. Ikke bruk verktøyet hvis noen av enhetene ikke fungerer som de skal.

- ◆ Bruk aldri et verktøy som har skadede deler.

Advarsel! Bruk verktøyet med festemidler med en hastighet som ikke overstiger 30 ganger/min.

For å betjene spikerpistolen

Advarsel! Kontakttrippet må trykkes ned etterfulgt av et fullt triggertrekk for hver spiker etterfulgt av en slipp av både kontakttriggeren og avtrekkeren etter hver spiker.

Advarsel! Batteriet skal alltid fjernes og utløserlåsen aktiveres når det foretas justeringer eller når verktøyet ikke er i bruk.

- ◆ Trykk kontaktutløseren helt mot arbeidsflaten.
- ◆ Trekk avtrekkeren helt inn og motoren starter. (spiker vil slå inn i arbeidsflaten).
- ◆ Slipp avtrekkeren.
- ◆ Løft kontaktutløseren fra arbeidsflaten.
- ◆ Gjenta de 4 trinnene ovenfor for neste påføring.

Klargjøring av verktøyet

Advarsel! ALDRI spray eller påfør på noen annen måte olje, smøremidler eller rengjøringsmidler inne i verktøyet. Dette kan alvorlig påvirke levetiden og ytelsen til verktøyet.

Advarsel! Batteriet skal alltid fjernes og utløserlåsen aktiveres når det foretas justeringer eller når verktøyet ikke er i bruk.

- ◆ Les avsnittet om sikkerhetsinstruksjoner i denne håndboken.
- ◆ Bruk øye- og hørselsvern.
- ◆ Fjern batteriet fra verktøyet og lad det helt opp.
- ◆ Sørg for at magasinet er tomt for alle festemidler.
- ◆ Kontroller at kontaktutløser- og skyverenheten fungerer jevnt og korrekt. Ikke bruk verktøyet hvis noen av enhetene ikke fungerer som de skal.
- ◆ Hold verktøyet rettet bort fra deg selv og andre.
- ◆ Sett inn fulladet batteripakke.

Riktig håndposisjon (Fig. G)

Advarsel! For å redusere risikoen for alvorlig personskade, bruk ALLTID riktig håndposisjon som vist i figur G.

Advarsel! For å redusere risikoen for alvorlig personskade, Hold ALLTID trygt i påvente av en plutselig reaksjon. Riktig håndposisjon krever én hånd på hovedhåndtaket.

Justering av dybde (Fig. H)

Dybden som festet drives inn kan justeres ved hjelp av dybdejusteringshjulet (3) på siden av verktøyet.

Advarsel! For å redusere risikoen for alvorlig skade fra utilsikket aktivering ved forsøk på å justere dybden, må du alltid:

- ◆ Fjern batteripakken.
- ◆ Aktiver utløserlåsen.
- ◆ Unngå kontakt med avtrekkeren under justeringer.

Dybdeinnstilling er på en glidende skala (4). Venstre side som indikerer det dypeste og høyre side som indikerer det grunneste.

- ◆ For å slå en spiker dypere, dreid dybdejusteringshjulet (3) nedover. Dette vil skyve dybdejusteringsindikatoren (4) til venstre på skalaen.
- ◆ For å kjøre en spiker grunnere, dreid dybdejusteringshjulet (3) oppover. Dette vil skyve dybdejusteringsindikatoren (4) til høyre på skalaen.

Lasting og lossing av verktøyet (Fig. I, J)

Advarsel! Hold verktøyet rettet bort fra deg selv og andre. Det kan føre til alvorlig personskade.

Advarsel! Legg aldri spiker med kontaktutløseren eller avtrekkeren aktivert.

Advarsel! Fjern alltid batteripakken før du laster eller lossar spiker.

Advarsel! Batteriet skal alltid fjernes og utløserlåsen aktiveres når det foretas justeringer eller når verktøyet ikke er i bruk.

Laster verktøyet

- ◆ Trykk på skyvelåsen (10) og trekk magasinet ned.
- ◆ Sett festene inn på siden av magasinet. Pass på at festetuppene er plassert mot fronten av magasinet, under spikerføringen (16) i spikerkanalen.
- ◆ Skyv magasinet lukket til det låses på plass.
Advarsel! Hold fingrene unna skyveren for å forhindre skade.

Lossing av verktøyet

Advarsel! Batteriet skal alltid fjernes og utløserlåsen aktiveres når det foretas justeringer eller når verktøyet ikke er i bruk.

- ◆ Trykk på spikerskyverlåsen og trekk magasinet ned.
- ◆ Tipp verktøyet opp til spikrene glir fritt ut av Blad.
- ◆ Åpne blokkeringsdøren (7) på nesestykket for å kontrollere at det ikke er noen spiker igjen.

Arbeidslyster (Fig. K)

Det er arbeidsllys (5) plassert på hver side av spikerpistolen. Arbeidslys tennes når kontakten trykkes ned.

Merk: Disse arbeidslysene er for å lyse opp den umiddelbare arbeidsflaten og er ikke ment å brukes som lommelykter.



Indikator for lavt batteri:

Arbeidsliset på venstre side vil blinke fire ganger på rad og slå seg deretter av for å indikere lavt batterinivå.



Indikator for fastkjørte negler:

Arbeidsliset på høyre side vil blinke kontinuerlig hvis en spiker setter seg fast i nesestykket (se Fjerne en fastkjørt spiker).

Stallfrigjøring (Fig. L)

Advarsel! Hvis en stopp oppstår, vil verktøyet deaktivere seg selv og vil kreve at du tilbakestiller det. For å gjøre det, følg instruksjonene for å fjerne en fastlåst tilstand. Fjern deretter batteripakken og sett deretter inn batteripakken igjen. Verktøyet vil nå være operativt.

Hvis spikerpistolen brukes i en streng applikasjon hvor alle tilgjengelig energi i motoren brukes til å drive et festemiddel, kan verktøyet stoppe. Førerbladet fullførte ikke kjøresyklusen, og indikatoren for blokkering/stopp vil blinke.

Drei stoppspaken (6) på verktøyet og mekanismen vil frigjøres som vist i figur L.

Merk! Verktøyet vil deaktivere seg selv og ikke tilbakestille før batteripakken er fjernet og satt inn igjen. Hvis enheten fortsetter å stoppe, vennligst se gjennom materialet og festelengden for å være sikker på at det ikke er for streng påføring. Hvis sjåføren bladet går ikke automatisk tilbake til utgangsposisjonen etter å ha rotert stallfrigjøringsspaken, fortsett til "rydde en fastkjørt spiker".

Fjerne en fastkjørt spiker (Fig. M, N)

Advarsel! For å redusere risikoen for personskade, koble batteripakken fra verktøyet og lås avtrekkeren før du utfører vedlikehold eller fjerner en fastkjørt spiker.

Hvis en spiker setter seg fast i nesestykket, hold verktøyet pekt bort fra deg og følg disse instruksjonene for å fjerne:

- ◆ Fjern batteripakken fra verktøyet og aktiver utløserlåsen.
- ◆ Fjern eventuelle belastede spiker. Se Laste og losse verktøyet.
- ◆ Løft papirstopplåsen 7 og trekk opp for å åpne frontdekselet 17.
- ◆ Fjern bøyd spiker, bruk tang om nødvendig.
- ◆ Hvis driverbladet er i nedre posisjon, sykle stallfrigjøringsspaken 6 med nok kraft til å skyve det helt til den andre enden av sporet i husene.
- ◆ Lukk frontdøren og fest låsepinnen under de to armene 18 på nesestykket. Skyv låsen til den låses på plass.
- ◆ Sett inn batteripakken igjen.

Advarsel! Hvis det oppstår en papirstopp, vil verktøyet deaktivere seg selv og vil kreve at du tilbakestiller det. For å gjøre det, følg instruksjonene for å fjerne den fastkjørte neglen. Fjern deretter batteripakken og sett deretter inn batteripakken igjen. Verktøyet vil nå være operativt.

Merk! Hvis neglene fortsetter å sette seg fast ved kontakt, må du få verktøyet til service av et autorisert STANLEY FATMAX-servicesenter.

Operasjon i kaldt vær

Ved bruk av verktøy ved temperaturer under frysepunktet:

- ◆ Hold verktøyet så varmt som mulig før bruk.
- ◆ Aktiver verktøyet 5 eller 6 ganger i trelast før bruk.

Drift med varmt vær

Verktøyet skal fungere normalt. Hold imidlertid verktøyet unna direkte sollys, da overdreven varme kan forringe støtfangere og andre gummideler, noe som resulterer i økt vedlikehold.

No-mar spiss (Fig. 0)

Verktøyet er utstyrt med en ekstra no-mar-tupp (19) plassert på siden av spikermagasinet.

For å erstatte no-mar-puten, trekk ganske enkelt av den gamle no-mar-puten og monter den nye no-mar-puten på kontaktutløseren (8).

Reservedeler

Advarsel! For å redusere risikoen for personskade, koble batteripakken fra verktøyet og lås avtrekkeren før du utfører vedlikehold eller fjerner en fastkjørt spiker.

Verktøyet er utstyrt med en ekstra no-mar-tupp plassert på siden av spikermagasinet.

Bruk kun identiske reservedeler. For en deleliste eller for å bestille deler, besøk vår servicenettside på www.stanley.eu/3co.uk. Du kan også bestille deler fra din nærmeste STANLEY FATMAX fabrikk servicesenter eller STANLEY FATMAX autorisert garanti.

Tilbehør

Advarsel! Siden tilbehør, annet enn det som tilbys av STANLEY FATMAX, ikke har blitt testet med dette produktet, kan bruk av slikt tilbehør med dette verktøyet være farlig. For å redusere risikoen for skade bør kun tilbehør som anbefales av STANLEY FATMAX brukes sammen med dette produktet. Anbefalt tilbehør for bruk med verktøyet ditt er tilgjengelig mot ekstra kostnad fra din lokale forhandler eller autorisert service Senter.

Feilsøking

Hvis apparatet ikke virker som det skal, følg instruksjonene nedenfor.

Hvis dette ikke løser problemet, vennligst kontakt din lokale STANLEY FATMAX-reparatør.

Advarsel! Før du fortsetter, koble fra apparatet.

Problem	Mulig årsak	Mulig løsning
Verktøyet gjør det ikke aktiver. (Fremlysene på motoren går ikke)	Motoren slutter å gå etter 2 sekunder.	Normal operasjon; slipp avtrekkeren eller kontaktutløseren og trykk ned igjen.
Verktøyet aktiveres ikke. (Lysene blinker)	Lav batterilading eller skadet batteri.	Lad eller bytt batteri.
Verktøyet aktiveres ikke. (Lysene blinker kontinuerlig)	Fastklemt feste / verktøy stoppet. Fastkjørt mekanisme	Ta ut batteriet, vri utløserpakken. Fjern det fastkjørte festet, og sett inn batteripakken igjen. Se autorisert servicesenter.
Verktøyet aktiveres ikke. (Lysene på motoren går, førerbladet sitter fast)		Se autorisert servicesenter.
Verktøyet fungerer, men gjør det ikke drive festet helt.	Lav batterilading eller skadet batteri. Dybdejustering satt for grunt. Verktøyet er ikke satt fast på arbeidsstykket. Materiale og festelengde er for strenge påføringer.	Lad eller bytt batteri. Drei dybdejusteringshjulet til en dypere setting. Les bruksanvisningen. Velg passende materiale eller festelengde.

Vedlikehold

Ditt STANLEY FATMAX ledningsfrie/trådløse apparat/verktøy er designet for å fungere over lang tid med et minimum av vedlikehold. Kontinuerlig tilfredsstillende drift avhenger av riktig pleie av verktøy/apparat og regelmessig rengjøring.

Advarsel! Slå av og trekk ut støpselet før du utfører rengjøring.

- ◆ Smuss og fett kan fjernes fra utsiden av apparatet med en klut.

Advarsel! Bruk ALDRI løsemidler eller andre sterke kjemikalier for å rengjøre de ikke-metalliske delene av apparatet. Disse kjemikaliene kan svekke materialene som brukes i disse delene. Bruk en klut som kun er fuktet med vann og mild såpe. La aldri væske komme inn i enheten; Senk aldri noen del av enheten i væske.

Advarsel! ALDRI spray eller på noen annen måte smøremidler eller rengjøringsmidler inne i verktøyet. Dette kan alvorlig påvirke levetiden og ytelsen til verktøyet.

Tjenestemerknader

Dette produktet kan ikke vedlikeholdes av brukeren.

Det er ingen deler som kan repareres av brukeren inne i spikerpistolen. Service på et autorisert servicesenter er nødvendig for å unngå skade på interne komponenter som er følsomme for statisk elektrisitet.

Problem	Mulig årsak	Mulig løsning
Enheten vil ikke starte.	Batteripakken er ikke riktig installert.	Sjekk installeringen av batteripakken.
	Batteripakken er ikke ladet.	Sjekk ladekavene til batteripakken.
	Utløserlås er forlovet.	Koble ut utløserlåsen.

Beskytter miljøet



Egen samling. Produkter og batterier merket med dette symbolet må ikke kastes sammen med vanlig husholdningsavfall.

Produkter og batterier inneholder materialer som kan gjenvinnes eller resirkuleres, noe som reduserer etterspørselen etter råvarer. Vennligst resirkuler elektriske produkter og batterier i henhold til lokale bestemmelser. Ytterligere informasjon er tilgjengelig på www.2helpU.com

Tekniske data

		SFMCN618 Type:1
Spenning	V_{DC}	18
Batteritype		Li-Ion
Aktiveringsmodus		Sequential
Magasinwinkel		Straight
Ingen lastehastighet	/min	9000
Drive energi	approx	50J
Vekt (bart verktøy)	kg	2.43

Festemidler		
Lengde	mm	16 - 50
Skaftdiameter	mm	1,27
Vinkel		Straight

Dette verktøyet er en bare enhet, men kan brukes med ladere i tabellen nedenfor.

Lader		SFMCB10	SFMCB11	SFMCB12	SFMCB14
Inngangsspenning	V_{AC}	230	230	230	230
Utgangsspenning	V_{DC}	18	18	18	18
Nåværende	A	1,25	1,25	2	4

Dette verktøyet er en bare enhet, men kan brukes med batteriene i tabellen nedenfor.

Batteri		SFMCB201	SFMCB202	SFMCB204	SFMCB206
Spenning	V_{DC}	18	18	18	18
Kapasitet	Ah	1,5	2,0	4,0	6,0
Type		Li-Ion	Li-Ion	Li-Ion	Li-Ion

Nivå på lydtrykk i henhold til EN60745:	
Lydtrykk (L_{pA})	84 dB(A), usikkerhet (K) 3 dB(A)
Lydskraft (L_{WA})	95 dB(A), usikkerhet (K) 3 dB(A)

Totalverdier for vibrasjoner (triax vektorsum) i henhold til EN60745:

Stift negler (a_{h1}) 2,8 m/s^2 , usikkerhet (K) 1,8 m/s^2

EF-samsvarserklæring

MASKINDIREKTIV



SFMCN618 - Trådløs spikerpistol

STANLEY FATMAX erklærer at disse produktene beskrevet under 2006/42/EC; EN 60745-1:2009 + A11:2010; EN 60745-2-16:2010.

Disse produktene er også i samsvar med direktivet 2014/30/EU and 2011/65/EU. For mer informasjon, vennligst kontakt STANLEY FATMAX på følgende adresse eller se baksiden av håndboken.

For mer informasjon, vennligst kontakt STANLEY FATMAX på følgende adresse eller se baksiden av håndboken.

Undertegnede er ansvarlig for sammenstilling av den tekniske filen og avgir denne erklæringen på vegne av STANLEY FATMAX.

Patrick Diepenbach

Patrick Diepenbach

General Manager, Benelux

STANLEY FATMAX,

Egide Walschaertsstraat 14-18

2800 Mechelen, Belgia

30/05/2023

Garanti

STANLEY FATMAX er trygg på kvaliteten på produktene sine og tilbyr forbrukere en 12 måneders garanti fra datoen av kjøpet.

Denne garantien kommer i tillegg til og påvirker på ingen måte dine lovbestemte rettigheter. Garantien er gyldig innenfor territoriene til medlemslandene i Den europeiske union og det europeiske frihandelsområdet og Storbritannia.

For å gjøre krav på garantien må kravet være i samsvar med STANLEY FATMAX vilkår og betingelser, og du må sende inn kjøpsbevis til selgeren eller en autorisert reparasjonsagent. Vilkår og betingelser for STANLEY FATMAX 1 års garanti og plasseringen til din nærmeste autoriserte reparasjonsagent kan fås på Internett på www.2helpU.com, eller ved å kontakte ditt lokale STANLEY FATMAX-kontor på adressen angitt i denne håndboken.

Besøk vår nettside www.stanley.eu/3 for å registrere deg ditt nye STANLEY FATMAX-produkt og motta oppdateringer om nye produkter og spesialtilbud.

Anvendelsesformål

Din STANLEY FATMAX SFMCN618 ledningsfri sømpistol er designet til sømning. Dette apparat er beregnet til professionelle og private, ikke-professionelle brugere.

Sikkerhedsinstruktioner

Generelle sikkerhedsadvarsler for elværktøj



Advarsel! Læs alle sikkerhedsadvarsler, instruktioner, illustrationer og specifikationer, der følger med dette elværktøj. Manglende overholdelse af advarslerne og instruktionerne nedenfor kan resultere i elektrisk stød, brand og/eller alvorlig personskade.

Gem alle advarsler og instruktioner til fremtidig reference.

Udtrykket "elværktøj" i alle nedenstående advarsler refererer til dit strøm-drevne (med ledning) elværktøj eller batteridrevne (trådløse) elværktøj.

1. Arbejdsrådets sikkerhed

- Hold arbejdsområdet rent og godt oplyst.** Rodede eller mørke områder inviterer til ulykker.
- Brug ikke elværktøj i eksplosive atmosfærer, såsom i nærheden af brændbare væsker, gasser eller støv.** Elværktøj danner gnister, som kan antænde støv eller dampe.
- Hold børn og omkringstående væk, mens du betjener et elværktøj.** Distractioner kan få dig til at miste kontrollen.

2. Elektrisk sikkerhed

- Elværktøjsstik skal passe til stikkontakten.** Modificer aldrig stikket på nogen måde. Brug ikke adapterstik med jordet (jordet) elværktøj. Umodificerede stik og matchende stikkontakter reducerer risikoen for elektrisk stød.
- Undgå kropskontakt med jordede eller jordede overflader såsom rør, radiatorer, komfurer og køleskabe.** Der er en øget risiko for elektrisk stød, hvis din krop er jordet eller jordet.
- Udsæt ikke elværktøj for regn eller våde forhold.** Vand, der trænger ind i et elværktøj, øger risikoen for elektrisk stød.
- Misbrug ikke ledningen.** Brug aldrig ledningen til at bære, trække eller trække elværktøjet ud. Hold ledningen væk fra varme, olie, skarpe kanter eller bevægelige dele. Beskadede eller sammenfiltrede ledninger øger risikoen for elektrisk stød.
- Når du betjener et elværktøj udendørs, skal du bruge en forlængerledning, der er egnet til udendørs brug.** Brug af en ledning, der er egnet til udendørs brug, reducerer risikoen for elektrisk stød.

- Hvis det er uundgåeligt at bruge et elværktøj på et fugtigt sted, skal du bruge en RCD-beskyttet forsyning.** Brug af en RCD reducerer risikoen for elektrisk stød.

3. Personlig sikkerhed

- Vær opmærksom, hold øje med, hvad du laver, og brug din sunde fornuft, når du betjener et elværktøj.** Brug ikke elværktøj, mens du er træt eller påvirket af stoffer, alkohol eller medicin. Et øjeblik uopmærksomhed under betjening af elværktøj kan resultere i alvorlig personskade.
 - Brug personlige værnemidler.** Bær altid øjenværn. Beskyttelsesudstyr såsom støvmaske, skridsikre sikkerhedssko, sikkerhedshjelm eller høreværn, der bruges til passende forhold, vil reducere personskader.
 - Undgå utilsigtet start.** Sørg for, at kontakten er i slukket position, før du tilslutter strømkilden og/eller batteripakken, løfter eller bærer værktøjet. At bære elværktøj med fingeren på kontakten eller at sætte strøm til elværktøj, der har kontakten tændt, inviterer til ulykker.
 - Fjern enhver justeringsnøgle eller skruenøgle, før du tænder for elværktøjet.** En skruenøgle eller en nøgle, der efterlades fastgjort til en roterende del af elværktøjet, kan resultere i personskade.
 - Gå ikke for langt.** Hold hele tiden ordentligt fodfæste og balance. Dette giver bedre kontrol over elværktøjet i uventede situationer.
 - Klæd dig ordentligt på.** Bær ikke løstsiddende tøj eller smykker. Hold dit hår, tøj og handsker væk fra bevægelige dele. Løst tøj, smykker eller langt hår kan blive fanget i bevægelige dele.
 - Hvis der leveres enheder til tilslutning af støvudsugnings- og opsamlingsfaciliteter, skal du sikre dig, at disse er tilsluttet og korrekt brugt.** Brug af støvopsamling kan reducere støvrelaterede farer.
 - Lad ikke kendskab opnået ved hyppig brug af værktøjer give dig mulighed for at blive selvtilfreds og ignorere værktøjsikkerhedsprincipper.** En skødesløs handling kan forårsage alvorlig skade inden for en brøkdal af et sekund.
- #### 4. Brug og pleje af elværktøj
- Tving ikke elværktøjet.** Brug det korrekte elværktøj til din applikation. Det korrekte elværktøj vil gøre arbejdet bedre og mere sikkert til den hastighed, som det er designet til.
 - Brug ikke elværktøjet, hvis kontakten ikke tænder og slukker for det.** Ethvert elværktøj, der ikke kan styres med kontakten, er farligt og skal repareres.
 - Tag stikket ud af strømkilden og/eller batteripakken fra elværktøjet, før du foretager justeringer, skifter tilbehør eller opbevarer elværktøj.**

Sådanne forebyggende sikkerhedsforanstaltninger reducerer risikoen for at starte elværktøjet ved et uheld.

- d. **Opbevar inaktivt elværktøj utilgængeligt for børn, og lad ikke personer, der ikke er bekendt med elværktøjet eller disse instruktioner, betjene elværktøjet.**

Elværktøj er farligt i hænderne på utrænede brugere.

- e. **Vedligehold elværktøj og tilbehør.** Tjek for fejljustering eller fastklæbning af bevægelige dele, brud på dele og enhver anden tilstand, der kan påvirke elværktøjets funktion. Hvis det er beskadiget, skal elværktøjet repareres før brug. Mange ulykker skyldes dårligt vedligeholdt elværktøj.
- f. **Hold skæreværktøj skarpt og rent.** Korrekt vedligeholdt skæreværktøjer med skarpe skærekanten er mindre tilbøjelige til at binde og er nemmere at kontrollere.
- g. **Brug elværktøjet, tilbehøret og værktøjsbits osv. i overensstemmelse med denne vejledning, under hensyntagen til arbejdsforholdene og det arbejde, der skal udføres.** Brug af elværktøjet til andre operationer end dem, der er beregnet til, kan resultere i en farlig situation.
- h. **Hold håndtag og gribeflader tørre, rene og fri for olie og fedt.** Glatte håndtag og greb overflader tillader ikke sikker håndtering og kontrol af værktøj i uventede situationer.

5. Brug og pleje af batteriværktøj

- a. **Genoplad kun med den oplader, der er specificeret af producenten.** En oplader, der er egnet til én type batteripakke, kan skabe en brandrisiko, når den bruges sammen med en anden batteripakke.
- b. **Brug kun elværktøj med specielt beregnede batteripakker.** Brug af andre batteripakker kan skabe risiko for skader og brand.
- c. **Når batteripakken ikke er i brug, skal den holdes væk fra andre metalgenstande, såsom papirclips, mønter, nøgler, søm, skruer eller andre små metalgenstande, der kan oprette forbindelse fra en terminal til en anden.** Kortslutning af batteripolerne kan forårsage forbrændinger eller brand.
- d. **Under dårlige forhold kan der komme væske ud af batteriet; undgå kontakt.** Hvis der kommer kontakt ved et uheld, skylles med vand. Hvis væske kommer i kontakt med øjnene, søg desuden lægehjælp. Væske, der kommer ud af batteriet, kan forårsage irritation eller forbrændinger.
- e. **Brug ikke en batteripakke eller et værktøj, der er beskadiget eller modificeret.** Beskadigede eller modificerede batterier kan udvise uforudsigelig adfærd, hvilket resulterer i brand, eksplosion eller risiko for personskade.
- f. **Udsæt ikke en batteripakke eller et værktøj for ild eller for høj temperatur.** Udsættelse for ild eller temperatur over 130 °C kan forårsage eksplosion.

- g. **Følg alle opladningsinstruktioner og oplad ikke batteripakken eller værktøjet uden for det temperaturområde, der er angivet i instruktionerne.** Forkert opladning eller ved temperaturer uden for det specificerede område kan beskadige batteriet og øge risikoen for brand.

6. Service

- a. **Få dit elværktøj efterset af en kvalificeret reparatør, der kun bruger identiske reservedele.** Dette vil sikre, at elværktøjets sikkerhed opretholdes.
- b. **Efterse aldrig beskadigede BATTERI-pakker.** Service af BATTERI-pakker bør kun udføres af producenten eller autoriserede serviceudbydere.

Yderligere sikkerhedsadvarsler for elværktøj

- ◆ **Brug de ekstra håndtag, der følger med værktøjet.** Tab af kontrol kan forårsage personskade.
- ◆ **Hold elværktøjet i de isolerede gribeflader, når du udfører en operation, hvor skæretilbehøret kan komme i kontakt med skjulte ledninger.** Skæringstilbehør, der kommer i kontakt med en "spændingsførende" ledning, kan gøre udsatte metaldele på elværktøjet "strømførende" og kan give operatøren et elektrisk stød.
- ◆ **Hold elværktøjet i de isolerede gribeflader, når du udfører en operation, hvor fastgørelseselementet kan komme i kontakt med skjulte ledninger.** Fastgørelseselementer, der kommer i kontakt med en "spændingsførende" ledning, kan gøre udsatte metaldele på elværktøjet "strømførende" og kan give operatøren et elektrisk stød.
- ◆ **Brug klemmer eller en anden praktisk måde til at fastgøre og støtte emnet til en stabil platform.** At holde værket i hånden eller mod din krop efterlader det ustabil og kan føre til tab af kontrol.
- ◆ **Før du borer i vægge, gulve eller lofter, skal du kontrollere placeringen af ledninger og rør.**
- ◆ **Undgå at røre ved spidsen af et bor lige efter boring, da det kan være varmt.**
- ◆ **Den tilsigtede anvendelse er beskrevet i denne brugsanvisning.** Brugen af tilbehør eller tilbehør eller udførelse af enhver anden betjening med dette værktøj end dem, der er anbefalet i denne brugsanvisning, kan udgøre en risiko for personskade og/eller skade på ejendom.

Andres sikkerhed

- ◆ Lad aldrig børn, personer med nedsatte fysiske, sensoriske eller mentale evner eller manglende erfaring og viden eller personer, der ikke er bekendt med disse instruktioner, bruge maskinen.

- ◆ Lokale regler kan begrænse operatørens alder.
- ◆ Betjen aldrig maskinen, mens mennesker, især børn, eller kæledyr er i nærheden.

Yderligere sikkerhedsinstruktioner for batteridrevne sømpistoler

- ◆ Bær altid sikkerhedsbriller.
- ◆ Brug altid høreværn.
- ◆ Brug kun fastgørelsesanordninger af den type, der er angivet i manualen.
- ◆ Brug ikke stativer til at montere værktøjet på en support.
- ◆ Adskil eller bloker ikke nogen dele af fastgørelsesværktøjet, såsom kontaktdørløseren.
- ◆ Før hver operation skal du kontrollere, at sikkerheden og udløsermekanismen fungerer korrekt, og at alle møtrikker og bolte er stramme.
- ◆ Brug ikke værktøjet som en hammer.
- ◆ Brug ikke værktøjet på en stige.
- ◆ Ret aldrig et værktøj, der virker, mod dig selv eller nogen anden person.
- ◆ Hold værktøjet på en sådan måde under arbejdet, at der ikke kan opstå skader på hovedet eller kroppen i tilfælde af et eventuelt rekyl på grund af en afbrydelse i energiforsyningen eller hårde områder i arbejdsområdet.
- ◆ Aktiver aldrig fastgørelsesværktøjet til det frie rum.
- ◆ I arbejdsområdet skal du bære værktøjet på arbejdspladsen med kun et håndtag og aldrig med aftrækkeren aktiveret.
- ◆ Overvej forholdene i arbejdsområdet.
Fastgørelsesmidler kan trænge ind i tynde emner eller glide af hjørner og kanter på emnet og dermed udsætte mennesker for fare.
- ◆ Kør ikke fastgørelseselementer tæt på kanten af arbejdsområdet.
- ◆ Kør ikke fastgørelsesanordninger oven på andre fastgørelsesanordninger.
- ◆ Antag altid, at værktøjet indeholder fastgørelseselementer. Uforsigtig håndtering af sømpistolens kan resultere i uventet affyring af fastgørelsesanordninger og personskade.
- ◆ Ret ikke værktøjet mod dig selv eller nogen i nærheden. Uventet udløsning vil udløse fastgørelseselementet og forårsage skade.
- ◆ Betjen ikke værktøjet, medmindre det er placeret fast mod arbejdsområdet. Hvis værktøjet ikke er i kontakt, kan fastgørelseselementet blive bøjet væk fra dit mål.
- ◆ Kobl værktøjet fra strømkilden, når fastgørelseselementet sidder fast i værktøjet. Mens du fjerner et fastklemt fastgørelseselement, kan sømpistolens blive aktiveret ved et uheld, hvis den er tilsluttet.

◆ Brug ikke dette værktøj til fastgørelse af elektriske kabler.

Den er ikke designet til installation af elektriske kabler og kan beskadige isoleringen af elektriske kabler og derved forårsage elektrisk stød eller brandfare.

Restrisici

Der kan opstå yderligere restrisici ved brug af værktøjet, som muligvis ikke er inkluderet i de vedlagte sikkerhedsadvarsler. Disse risici kan opstå ved misbrug, langvarig brug osv. Selv med anvendelse af de relevante sikkerhedsforskrifter og implementering af sikkerhedsanordninger kan visse resterende risici ikke undgås. Disse omfatter:

- ◆ Skader forårsaget af berøring af roterende/bevægelige dele.
- ◆ Skader forårsaget ved udskiftning af dele, knive eller tilbehør.
- ◆ Skader forårsaget af langvarig brug af et værktøj. Når du bruger et hvilket som helst værktøj i længere perioder, skal du sørge for at holde regelmæssige pauser.
- ◆ Nedsættelse af hørelsen.
- ◆ Sundhedsfarer forårsaget af indånding af støv, der udvikles ved brug af dit værktøj (eksempel: - arbejde med træ, især eg, bøg og MDF.)

Støj og vibrationer

De erklærede støj- og vibrationsemissionsværdier angivet i de tekniske data og overensstemmelseserklæringen er blevet målt i overensstemmelse med en standardtestmetode leveret af EN60745 og kan bruges til at sammenligne et værktøj med et andet. Den erklærede støj- og vibrationsemissionsværdi kan også bruges i en foreløbig vurdering af eksponeringen.

Advarsel! Støj- og vibrationsemissionsværdien under den faktiske brug af elværktøjet kan afvige fra den erklærede værdi afhængigt af den måde, hvorpå værktøjet bruges. Støj- og vibrationsniveauet kan stige over det angivne niveau. Ved vurdering af støj- og vibrationseksponering for at bestemme sikkerhedsforanstaltninger, der kræves i henhold til 2002/44/EF for at beskytte personer, der regelmæssigt bruger el-værktøj i beskæftigelse, bør et estimat af støj- og vibrationseksponering tages i betragtning, de faktiske brugsforhold og den måde, værktøjet bruges på, herunder at tage højde for alle dele af drifts cyklussen, såsom tidspunkter, hvor værktøjet er slukket, og når det kører i tomgang ud over udløsningsstiden.

Etiketter på værktøj

Følgende symboler vises på værktøjet sammen med datokoden:



Advarsel! For at mindske risikoen for skader skal brugeren læse brugsanvisningen.



Advarsel! For at mindske risikoen for skader skal brugeren bære øre- og øjenværn.



Forsigtig: Kig ikke på driftslampen.



Til at oplyse den umiddelbare arbejdsflade samt en lav batteri-indikator og en fastklemt søm-indikator.



Hold hænder og kropsdele væk fra umiddelbare arbejdsområde.

Yderligere sikkerhedsinstruktioner til batterier og opladere

Batterier

- ◆ Forsøg aldrig at åbne af nogen grund.
- ◆ Udsæt ikke batteriet for vand.
- ◆ Opbevar ikke på steder, hvor temperaturen kan overstige 40 °C.
- ◆ Oplad kun ved omgivende temperaturer mellem 10 °C og 40 °C.
- ◆ Ved bortskaffelse af batterier skal du følge instruktionerne i afsnittet "Beskyttelse af miljøet".
- ◆ Lad være med at beskadige/deformere batteripakken hverken ved punktering eller slag, da dette kan skabe risiko for skader og brand.
- ◆ Oplad ikke beskadigede batterier.
- ◆ Under ekstreme forhold kan der forekomme batterilækage. Når du bemærker væske på batterierne Tør forsigtigt væsken af med en klud. Undgå hudkontakt.
- ◆ I tilfælde af hud- eller øjenkontakt skal du følge instruktionerne nedenfor.

Advarsel! Batterivæsken kan forårsage personskade eller skade på ejendom. I tilfælde af hudkontakt skylles straks med vand. Søg lægehjælp, hvis der opstår rødme, smerte eller irritation. I tilfælde af øjenkontakt, skyl straks med rent vand og søg læge.



Forsøg ikke at oplade beskadigede batterier

Opladere

- ◆ Brug kun din STANLEY FATMAX oplader til at oplade batteri i det værktøj, som det blev leveret med. Andet batterier kan sprænge og forårsage personskade og beskadigelse.
- ◆ Forsøg aldrig at oplade ikke-genopladelige batterier.
- ◆ Få defekte ledninger udskiftet med det samme.
- ◆ Udsæt ikke opladeren for vand.

- ◆ Åbn ikke opladeren.
- ◆ Undersøg ikke opladeren

Symboler på opladeren



Opladeren er kun beregnet til indendørs brug.



Læs brugsanvisningen før brug.

Elektrisk sikkerhed



Din adapter er dobbeltisoleret; derfor kræves ingen jordledning. Kontroller altid, at netspændingen svarer til spændingen på typeskiltet. Forsøg aldrig at udskifte adapterenheden med et almindeligt netstik.

Funktioner

Dette apparat indeholder nogle eller alle af følgende funktioner.

1. Udløserkontakt
2. Udløs låse-sluk-kontakt
3. Dybdejusteringshjul
4. Indikator for dybdejustering
5. Arbejdslygter/lavt batteri/stop/stop-indikator
6. Stop udløserhåndtaget
7. Lås til udredning af papirstop
8. Kontakt tur
9. Magasin
10. Skubbelås
11. Placering af tilbehør
12. Batteri

Brug

Advarsel! Lad værktøjet arbejde i sit eget tempo. Overbelast ikke.

Opladning af batteriet (Fig. A)

Batteriet skal oplades før første brug, og når det ikke producerer tilstrækkelig strøm på opgaver, der var let at udføre før.

Batteriet kan blive varmt under opladning; dette er normalt og indikerer ikke et problem.


Advarsel! Oplad ikke batteriet ved omgivende temperaturer under 10 °C eller over 40 °C. Anbefalet ladetemperatur: ca. 24 °C.

Bemærk: Opladeren oplader ikke et batteri, hvis celledtemperaturen er under ca. 10 °C eller over 40 °C. Batteriet skal efterlades i opladeren, og opladeren begynder at oplade automatisk, når celledtemperaturen varmes op eller afkøles.

Bemærk: For at sikre maksimal ydeevne og levetid for lithium-ion-batteripakker skal du oplade batteripakken helt før første brug.

- ◆ Sæt opladeren (13) i en passende stikkontakt, før du indsætter batteripakken (12).
- ◆ Den grønne opladningslampe (13a) blinker konstant, hvilket indikerer, at opladningsprocessen er startet.
- ◆ Afslutningen af opladningen indikeres ved, at den grønne opladningslampe (13a) forbliver tændt konstant. Batteripakken (12) er fuldt opladet og kan fjernes og bruges på dette tidspunkt eller efterlades i opladeren (13).
- ◆ Oplad afladede batterier inden for 1 uge. Batteriets levetid vil blive stærkt formindsket, hvis det opbevares i en afladet tilstand.

Oplader LED-tilstande

	Opladning: Grøn LED Intermitterende	
	Fuldt opladet: Grøn LED fast	
	Varm/ kold pakningsforsinkelse: Grøn LED Intermitterende Rød LED Fast	

Bemærk: Den eller de kompatible opladere oplader ikke en defekt batteripakke. Opladeren vil indikere en defekt batteripakke ved at nægte at lyse.

Bemærk: Dette kan også betyde et problem med en oplader. Hvis opladeren indikerer et problem, skal du tage opladeren og batteripakken til test på et autoriseret servicecenter.

Lader batteriet blive i opladeren

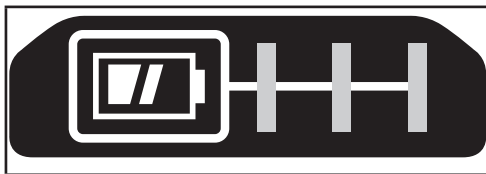
Opladeren og batteripakken kan efterlades forbundet med LED'en lysende på ubestemt tid. Opladeren holder batteripakken frisk og fuldt opladet.

Hot/Cold Pack Delay

Når opladeren registrerer et batteri, der er for varmt eller for koldt, starter den automatisk en Hot/Cold Pack Delay, den grønne LED (13a) vil blinke med mellemrum, mens den røde LED (13b) vil forblive tændt konstant og afbryde opladningen, indtil batteriet har nået en passende temperatur. Så opladeren skifter automatisk til pakkeopladningstilstand. Denne funktion sikrer maksimal batterilevetid.

Batteriets ladetilstandsindikator (Fig. B)

Batteriet inkluderer en ladetilstandsindikator for hurtigt at bestemme omfanget af batterilevetid som vist i figur B. Ved at trykke på ladetilstandsknappen (12a) kan du nemt se den resterende ladning i batteriet som vist i figur B.



Installation og fjernelse af batteripakken fra værktøjet

Advarsel! Sørg for, at låsekappen er aktiveret for at forhindre aktivering af kontakten, før du fjerner eller sætter batteriet i.

Sådan installeres batteripakken (Fig. C)

- ◆ Sæt batteripakken godt fast i værktøjet, indtil der høres et hørbart klik som vist i figur C. Sørg for, at batteripakken er helt på plads og helt låst på plads.

Sådan fjernes batteripakken (Fig. D)

- ◆ Tryk på batteriudløserknappen (12b) som vist i figur D, og træk batteripakken ud af værktøjet.

Hængekrog (Fig. E, F)

Advarsel! Fjern søm fra magasinet, før du laver nogen justeringer eller servicering af dette værktøj. Undladelse af at gøre det kan resultere i alvorlig skade.

Advarsel! For at reducere risikoen for alvorlig personskade, anbring frem-/tilbage-knappen i låst position eller sluk for værktøjet, og frakobl batteripakken, før du laver eventuelle justeringer eller fjernelse/installation af vedhæftede filer eller tilbehør. En utilsigtet opstart kan forårsage personskade.

Advarsel! Sørg for at reducere risikoen for alvorlig personskade skruen (15) der holder hængekrogen er fast.

Forsigtig! Når værktøjet ikke er i brug, skal det placeres på siden på en stald overflade, hvor den ikke vil forårsage fare for at snuble eller falde. Nogle værktøjer med store batteripakker vil stå oprejst på batteripakke, men kan let væltes.

Bemærk: Ved fastgørelse eller udskiftning af hængekrogen (14) brug kun den medfølgende skrue (15). Sørg for at være sikkert spænd skruen. Ønskes krogen slet ikke, kan den tages af værktøjet. For at flytte hængekrogen skal du fjerne skruen (15), der holder hænge krogen (14) på plads.

Bemærk: Forskellige trackwall kroge og opbevaringskonfigurationer er tilgængelige. Besøg venligst vores hjemmeside www.stanley.eu/3 for yderligere information.

Operation

Advarsel! Læs afsnittet med titlen

Sømpistolsikkerhedsadvarsler i begyndelsen af denne vejledning. Bær altid øje og øre beskyttelse, når du betjener dette værktøj.

Hold sømpistolen væk fra dig selv og andre. For sikker drift skal du udføre følgende procedurer og kontroller før hver brug af sømpistolen.

Advarsel! For at reducere risikoen for personskade, skal du frakoble batteripakken fra værktøjet og aktivere aftrækkerlåsen, før du udfører vedligeholdelse, fjerner et fastklemt søm, forlader arbejdsområdet, flytter værktøjet til et andet sted eller afleverer værktøjet til en anden person.

Advarsel! Hold fingrene VÆK fra aftrækkeren, når du ikke kører fastgørelsesanordninger for at undgå utilsigtet afyring. Bær aldrig værktøjet med fingrene på aftrækkeren.

- ◆ Bær ordentligt øjen-, høre- og åndedrætsværn.
- ◆ Fjern batteripakken fra værktøjet, og aktivér aftrækkerlåsen.
- ◆ Lås skubberen i den bagerste position, og fjern alle sømstrimler fra magasinet.
- ◆ Kontroller, om kontaktudløser- og skubberenheder fungerer jævnt og korrekt.
Brug ikke værktøj, hvis en af samlingerne ikke fungerer korrekt.
- ◆ Brug aldrig et værktøj, der har beskadigede dele.

Advarsel! Betjen værktøjet med fastgørelsesanordninger med en hastighed, der ikke overstiger 30 gange/min.

For at betjene sømpistolen

Advarsel! Kontaktudløseren skal trykkes ned efterfulgt af et fuldt udløsertræk for hver søm efterfulgt af en udløsning af både kontaktudløseren og aftrækkeren efter hver søm.

Advarsel! Batteriet skal altid fjernes og aftrækkerlåsen aktiveres, når der foretages justeringer, eller når værktøjet ikke er i brug.

- ◆ Tryk kontaktudløseren helt ned mod arbejdsfladen.
- ◆ Træk aftrækkeren helt, og motoren starter. (søm vil køre ind i arbejdsfladen).
- ◆ Slip aftrækkeren.
- ◆ Løft kontaktudløseren fra arbejdsfladen.
- ◆ Gentag ovenstående 4 trin for næste påføring.

Forberedelse af værktøjet

Advarsel! Sprøjt eller påfør ALDRIG på anden måde olie, smøremidler eller rengøringsopløsningsmidler inde i værktøjet. Dette kan alvorligt påvirke værktøjets levetid og ydeevne.

Advarsel! Batteriet skal altid fjernes og aftrækkerlåsen aktiveres, når der foretages justeringer, eller når værktøjet ikke er i brug.

- ◆ Læs afsnittet Sikkerhedsinstruktioner i denne vejledning.
- ◆ Brug øjen- og høreværn.

- ◆ Fjern batteriet fra værktøjet og oplad det helt.
- ◆ Sørg for, at magasinet er tomt for alle fastgørelsesanordninger.
- ◆ Kontroller, om kontaktudløser- og skubberenheder fungerer jævnt og korrekt. Brug ikke værktøj, hvis en af samlingerne ikke fungerer korrekt.
- ◆ Hold værktøjet rettet væk fra dig selv og andre.
- ◆ Indsæt fuldt opladet batteripakke.

Korrekt håndposition (Fig. G)

Advarsel! For at reducere risikoen for alvorlig personskade, skal du ALTID bruge den korrekte håndposition som vist i figur G.

Advarsel! For at reducere risikoen for alvorlig personskade, Hold ALTID sikkert i forventning om en pludselig reaktion. Korrekt håndposition kræver én hånd på hovedhåndtaget.

Justering af dybde (Fig. H)

Dybden, som fastgørelseselementet trækkes i, kan justeres ved hjælp af dybdejusteringshjulet (3) på siden af værktøjet.

Advarsel! For at reducere risikoen for alvorlig personskade fra utilsigtet aktivering, når du forsøger at justere dybden, skal du altid:

- ◆ Fjern batteripakken.
- ◆ Aktiver aftrækkerlåsen.
- ◆ Undgå kontakt med aftrækkeren under justeringer.

Dybdeindstillinger er på en glidende skala (4). Venstre side angiver den dybeste og højre side angiver den laveste.

- ◆ Drej dybdejusteringshjulet (3) nedad for at slå et søm dybere. Dette vil skubbe dybdejusteringsindikatoren (4) til venstre på skalaen.
- ◆ Drej dybdejusteringshjulet (3) opad for at slå et søm mere lavt. Dette vil skubbe dybdejusteringsindikatoren (4) til højre på skalaen.

Indlæsning og aflæsning af værktøjet (Fig. I, J)

Advarsel! Hold værktøjet rettet væk fra dig selv og andre. Alvorlig personskade kan medføre.

Advarsel! Indlæs aldrig søm med kontaktudløseren eller aftrækkeren aktiveret.

Advarsel! Fjern altid batteripakken, før søm sættes i eller af.

Advarsel! Batteriet skal altid fjernes og aftrækkerlåsen aktiveres, når der foretages justeringer, eller når værktøjet ikke er i brug.

Indlæsning af værktøjet

- ◆ Tryk på skubbelåsen (10), og træk magasinet ned.
- ◆ Indsæt fastgørelseselementer i siden af magasinet. Sørg for, at fastgørelsesspidserne er placeret mod forinden af magasinet, under sømføringen (16) i sømkalisen.
- ◆ Skub magasinet lukket, indtil det låser på plads.

Advarsel! Hold fingrene væk fra skubberen for at forhindre skade.

Aflæsning af værktøjet

Advarsel! Batteriet skal altid fjernes og aftrækkerlåsen aktiveres, når der foretages justeringer, eller når værktøjet ikke er i brug.

- ◆ Tryk på sømskubberlåsen, og træk magasinet ned.
- ◆ Vip værktøjet op, indtil sømmene glider frit ud af magasinet
- ◆ Åbn lågen (7) på næsestykket for at kontrollere, at der ikke er nogen søm tilbage.

Arbejdslygter (Fig. K)

Der er arbejdslygter (5) placeret på hver side af sømpistolen. Arbejdslys tændes, når kontakten trykkes ned.

Bemærk: Disse arbejdslygter er til belysning af den umiddelbare arbejdsflade og er ikke beregnet til at blive brugt som lommelygter.



Indikator for lavt batteri:

Arbejdslygten i venstre side blinker fire på hinanden følgende gange og slukker derefter for at indikere lavt batteri.



Indikator for fastklemede negle:

Arbejdslygten i højre side blinker konstant, hvis et søm sætter sig fast i næsestykket (se Fjernelse af et fastklemt søm).

Udløsning af stall (Fig. L)

Advarsel! Hvis der opstår en stall, vil værktøjet deaktivere sig selv og vil kræve, at du nulstiller det. For at gøre det skal du følge instruktionerne for at fjerne en fastlåst tilstand. Fjern derefter batteripakken, og sæt derefter batteripakken i igen. Værktøjet vil nu være operationelt.

Hvis sømpistolen bruges i en streng applikation, hvor alle tilgængelig energi i motoren bruges til at drive en fastener, kan værktøjet gå i stå. Førerbladet fuldførte ikke kørecyklussen, og indikatoren for stop/stop blinker.

Drej låsehåndtaget (6) på værktøjet, og mekanismen udløses som vist i figur L.

Bemærk! Værktøjet vil deaktivere sig selv og ikke nulstille, før batteripakken er blevet fjernet og sat i igen.

Hvis enheden fortsætter med at gå i stå, bedes du gennemgå materialet og fastgørelseslængden for at være sikker på, at det ikke er for hårdt arbejde. Hvis føreren klinglen vender ikke automatisk tilbage til udgangspositionen efter at have drejet udløserhåndtaget til stall, fortsæt til "rydning af et fastklemt søm".

Fjernelse af et fastklemt søm (Fig. M, N)

Advarsel! For at mindske risikoen for personskade skal du afbryde batteripakken fra værktøjet og aktivere aftrækkerlåsen, før du udfører vedligeholdelse eller fjerner et fastklemt søm.

Hvis et søm sætter sig fast i næsestykket, skal du holde værktøjet pegende væk fra dig og følge disse instruktioner for at fjerne:

- ◆ Fjern batteripakken fra værktøjet, og aktivér aftrækkerlåsen.
- ◆ Fjern eventuelle belastede søm. Se Indlæsning og aflæsning af værktøjet.
- ◆ Løft papirstoplåsen 7 og træk derefter op for at åbne frontlågen 17.
- ◆ Fjern bøjet søm, brug om nødvendigt en tang.
- ◆ Hvis medbringerbladet er i den nede position, skal du cykle udløserhåndtaget 6 med tilstrækkelig kraft til at skubbe det helt til den anden ende af åbningen i husene.
- ◆ Luk fordøren, og sæt låsestiften i indgreb under de to arme 18 på næsestykket. Skub låsen, indtil den låser på plads.
- ◆ Sæt batteripakken i igen.

Advarsel! Hvis der opstår en papirstop, vil værktøjet deaktivere sig selv og vil kræve, at du nulstiller det. For at gøre det skal du følge instruktionerne for at fjerne det fastklemede søm. Fjern derefter batteripakken, og sæt derefter batteripakken i igen. Værktøjet vil nu være operationelt. Bemærk! Hvis søm fortsætter med at sætte sig fast ofte ved kontakt, skal du få værktøjet efterset af et autoriseret STANLEY FATMAX-servicecenter.

Operation i koldt vejr

Ved brug af værktøj ved temperaturer under frysepunktet:

- ◆ Hold værktøjet så varmt som muligt før brug.
- ◆ Aktiver værktøjet 5 eller 6 gange i tømmeraffald før brug.

Operation i varmt vejr

Værktøjet skal fungere normalt. Hold dog værktøjet væk fra direkte sollys, da overdreven varme kan forringe kofangere og andre gummidelle, hvilket resulterer i øget vedligeholdelse.

No-mar spids (Fig. O)

Værktøjet er udstyret med en ekstra no-mar spids (19) placeret på siden af sømmagasinet.

For at udskifte no-mar puden skal du blot trække den gamle

no-mar pude af og genmontere den nye no-mar pude på kontaktudløseren (8).

Reserve dele

Advarsel! For at mindske risikoen for personskade skal du afbryde batteripakken fra værktøjet og aktivere aftrækkerlåsen, før du udfører vedligeholdelse eller fjerner et fastklemt søm.

Værktøjet er udstyret med en ekstra no-mar-spids placeret på siden af sømmagasinet.

Brug kun identiske reservedele. Besøg vores servicewebsted på www.stanley.eu/3co.uk for at få en reservedelsliste eller for at bestille reservedele. Du kan også bestille reservedele hos din nærmeste STANLEY FATMAX Factory Service Center eller STANLEY FATMAX autoriseret garanti.

tilbehør

Advarsel! Da tilbehør, bortset fra dem, der tilbydes af STANLEY FATMAX, ikke er blevet testet med dette produkt, kan brug af sådant tilbehør med dette værktøj være farligt. For at reducere risikoen for skader bør kun tilbehør, der anbefales af STANLEY FATMAX, bruges sammen med dette produkt. Anbefalet tilbehør til brug med dit værktøj er tilgængelig mod merpris hos din lokale forhandler eller autoriseret service Center.

Fejlfinding

Hvis dit apparat ikke ser ud til at fungere korrekt, skal du følge følgende instruktioner.

Hvis dette ikke løser problemet, bedes du kontakte din lokale STANLEY FATMAX-reparatør.

Advarsel! Tag stikket ud af stikkontakten, før du fortsætter.

Problem	Mulig årsag	Mulig løsning
Enheden vil ikke starte.	Batteripakken er ikke installeret korrekt. Batteripakken er ikke opladet. Udløserlåsen er beskæftiget.	Kontroller installationen af batteripakken. Tjek kravene til opladning af batteripakken. Deaktiver udløserlåsen.
Værktøjet gør ikke aktiveres. (Forlygter tændt, motor kører ikke)	Motoren stopper med at køre efter 2 sekunder.	Normal drift; slip aftrækkeren eller kontaktudløser og tryk ned igen.
Værktøjet aktiveres ikke. (Forlygterne blinker)	Lav batteriopladning eller beskadiget batteri.	Oplad eller udskift batteriet.
Værktøjet aktiveres ikke. (Forlygterne blinker konstant)	Fastklemt fastgørelseselement / værktøj stoppet. Fastklemt mekanisme	Fjern batteriet, drej låsehåndtaget. Fjern det fastsiddende fastgørelseselement, og sæt batteripakken i igen. Se autoriseret servicecenter.

Problem	Mulig årsag	Mulig løsning
Værktøjet aktiveres ikke. (Forlygter tændt, motor kører, førerblad sidder fast)		Se autoriseret servicecenter.
Værktøjet fungerer, men gør det ikke drive fastgørelseselementet helt.	Lav batteriopladning eller beskadiget batteri. Dybdejustering indstillet for lavt. Værktøjet er ikke sat fast på emnet. Materiale og fastgørelseslængde er for strenge.	Oplad eller udskift batteriet. Drej dybdejusteringshjulet til en dybere indstilling. Læs brugsanvisningen. Vælg passende materiale eller fastgørelseslængde.

Vedligeholdelse

Dit STANLEY FATMAX ledningsfrie/trådløse apparat/værktøj er designet til at fungere over en længere periode med et minimum af vedligeholdelse. Kontinuerlig tilfredsstillende drift afhænger af korrekt pleje af værktøj/apparat og regelmæssig rengøring.

Advarsel! Sluk for apparatet, og tag stikket ud af stikkontakten, før du udfører nogen form for rengøring.

- ◆ Snavs og fedt kan fjernes fra ydersiden af apparatet med en klud.

Advarsel! Brug ALDRIG opløsningsmidler eller andre skrapple kemikalier til rengøring af apparatets ikke-metalliske dele. Disse kemikalier kan svække de materialer, der anvendes i disse dele. Brug kun en klud fugtet med vand og mild sæbe. Lad aldrig væske trænge ind i enheden; nedsænk aldrig nogen del af enheden i en væske.

Advarsel! Sprøjt eller påfør ALDRIG smøremidler eller rengøringsopløsningsmidler inde i værktøjet. Dette kan alvorligt påvirke værktøjets levetid og ydeevne.

Servicebemærkninger

Dette produkt kan ikke serviceres af brugeren. Der er ingen dele inde i sømpistolen, der kan repareres af brugeren. Service på et autoriseret servicecenter er påkrævet for at undgå beskadigelse af statisk følsomme interne komponenter.

Beskyttelse af miljøet



Separat samling. Produkter og batterier mærket med dette symbol må ikke bortskaffes sammen med almindeligt husholdningsaffald.

Produkter og batterier indeholder materialer, der kan genvindes eller genanvendes, hvilket reducerer efterspørgslen efter råvarer.

Genbrug venligst elektriske produkter og batterier i henhold til lokale bestemmelser. Yderligere information findes på www.2helpU.com

EF-overensstemmelseserklæring

MASKINDIREKTIV



Teknisk data

SFMCN618 Type:1		
Volt	V_{DC}	18
Batteri type		Li-Ion
Aktiveringstilstand		Sequential
Magasininkel		Straight
Ingen belastningshastighed	/min	9000
Drive energi	approx	50J
Vægt (bart værktøj)	kg	2,43

Fastgørelsesmidler			
Længde	mm		16 - 50
Skaf diameter	mm		1,27
Vinkel			Straight

Dette værktøj er en bare enhed, men kan bruges med opladerne i følgende tabel.

Oplader		SFMCB10	SFMCB11	SFMCB12	SFMCB14
Indgangsspænding	V_{AC}	230	230	230	230
Udgangsspænding	V_{DC}	18	18	18	18
Current	A	1,25	1,25	2	4

Dette værktøj er en bare enhed, men kan bruges med batterierne i følgende tabel.

Batteri		SFMCB201	SFMCB202	SFMCB204	SFMCB206
Spænding	V_{DC}	18	18	18	18
Kapacitet	Ah	1,5	2,0	4,0	6,0
Type		Li-Ion	Li-Ion	Li-Ion	Li-Ion

Lydtryksniveau i henhold til EN60745:	
Lydtryk (L_{pA})	84 dB(A), usikkerhed (K) 3 dB(A)
Lydkraft (L_{WA})	95 dB(A), usikkerhed (K) 3 dB(A)

Samlede vibrationsværdier (triax vektorsum) i henhold til EN60745:	
Hæft negle (a_{Hv})	2,8 m/s^2 , usikkerhed (K) 1,8 m/s^2

SFMCN618 - Trådløs sømpistol
 STANLEY FATMAX erklærer, at disse produkter beskrevet under 2006/42/EC; EN 60745-1:2009 + A11:2010; EN 60745-2-16:2010.

Disse produkter er også i overensstemmelse med direktivet 2014/30/EU and 2011/65/EU. For mere information, kontakt venligst STANLEY FATMAX på følgende adresse eller se bagsiden af manualen.

For mere information, kontakt venligst STANLEY FATMAX på følgende adresse eller se bagsiden af manualen.

Undertegnede er ansvarlig for udarbejdelsen af den tekniske fil og afgiver denne erklæring på vegne af STANLEY FATMAX.

Patrick Diepenbach

Patrick Diepenbach
 General Manager, Benelux
 STANLEY FATMAX,
 Egide Walschaertsstraat 14-18
 2800 Mechelen, Belgien
 30/05/2023

Garanti

STANLEY FATMAX er overbevist om kvaliteten af sine produkter og tilbyder forbrugere en 12 måneders garanti fra datoen af købet. Denne garanti er et supplement til og berører på ingen måde dine lovbestemte rettigheder. Garantien er gyldig inden for områderne i EU's medlemsstater og Det Europæiske Frihandelsområde og Det Forenede Kongerige.

For at gøre krav på garantien skal kravet være i overensstemmelse med STANLEY FATMAX vilkår og betingelser, og du skal indsende købsbevis til sælgeren eller en autoriseret reparatør.

Vilkår og betingelser for STANLEY FATMAX 1 års garanti og placeringen af din nærmeste autoriserede reparatør kan fås på internettet på www.2helpU.com eller ved at kontakte dit lokale STANLEY FATMAX kontor på adressen angivet i denne manual.

Besøg vores hjemmeside www.stanley.eu/3 for at tilmelde dig dit nye STANLEY FATMAX-produkt og modtag opdateringer om nye produkter og specialtilbud.

Käyttötarkoitus

Akkunaulaimesi STANLEY FATMAX SFCMCN618 on suunniteltu naualaukseen. Tämä laite on tarkoitettu ammattimaisille ja yksityisille, ei-ammattimaisille käyttäjille.

Turvallisuusohjeet

Yleiset sähkötyökalujen turvallisuusvaroitukset



Varoitus! Lue kaikki turvallisuusvaroitukset, ohjeet, kuvat ja tämän sähkötyökalun mukana toimitetut tekniset tiedot. Alla lueteltujen varoitusten ja ohjeiden noudattamatta jättäminen voi aiheuttaa sähköiskun, tulipalon ja/tai vakavan vamman.

Säilytä kaikki varoitukset ja ohjeet myöhempiä tarvetta varten.

Termi "sähkötyökalu" kaikissa alla luetelluissa varoituksissa viittaa verkkovirralla toimivaan (johdolliseen) sähkötyökaluun tai akkukäyttöiseen (johdottomaan) sähkötyökaluun.

1. Työalueen turvallisuus

- Pidä työalue puhtaana ja hyvin valaistuna.** Sotkuiset tai tummat alueet aiheuttavat onnettomuuksia.
- Älä käytä sähkötyökaluja räjähdysvaarallisissa tiloissa, kuten syttyvien nesteiden, kaasujen tai pölyn lähellä.** Sähkötyökalut synnyttävät kipinöitä, jotka voivat sytyttää pölyn tai höyryt.
- Pidä lapset ja sivulliset loitolla käyttäessäsi sähkötyökalua.** Häiriöt voivat johtaa siihen, että menetät hallinnan.

2. Sähköturvallisuus

- Sähkötyökalujen pistokkeiden on vastattava pistorasiaa.** Älä koskaan muuta pistoketta millään tavalla. Älä käytä adapteripistokkeita maadoitettujen (maadoitettujen) sähkötyökalujen kanssa. Muutamattomat pistokkeet ja yhteensopivat pistorasiat vähentävät sähköiskun riskiä.
- Vältä kehon kosketusta maadoitettuihin pintoihin, kuten putkiin, lämpöpatteriin, lieseihin ja jääkaappiin.** Sähköiskun vaara on lisääntynyt, jos kehosi on maadoitettu.
- Älä altista sähkötyökaluja sateelle tai märille olosuhteille.** Sähkötyökaluun pääsevä vesi lisää sähköiskun vaaraa.
- Älä käytä johtoa väärin.** Älä koskaan käytä johtoa sähkötyökalun kantamiseen, vetämiseen tai irrottamiseen pistorasiasta. Pidä johto poissa lämmöstä, öljystä, terävistä reunoista tai liikkuvista osista. Vaurioituneet tai sotkeutuneet johdot lisäävät sähköiskun vaaraa.
- Kun käytät sähkötyökalua ulkona, käytä ulkokäyttöön sopivaa jatkojohtoa.**

Ulkokäyttöön sopivan johdon käyttö vähentää sähköiskun vaaraa.

- Jos sähkötyökalun käyttäminen kosteassa paikassa on väistämätöntä, käytä vikavirtasuojalla (RCD) suojattua syöttöä.** RCD:n käyttö vähentää sähköiskun riskiä.

3. Henkilökohtainen turvallisuus

- Pysy valppaana, katso mitä olet tekemässä ja käytä maalaisjärkeä käyttäessäsi sähkötyökalua.** Älä käytä sähkötyökalua väsyneenä tai huumeiden, alkoholin tai lääkkeiden vaikutuksen alaisena. Hetkinen tarkkaavaisuus sähkötyökaluja käytettäessä voi aiheuttaa vakavan henkilövahman.
 - Käytä henkilökohtaisia suojavarusteita.** Käytä aina suojalaseja. Asianmukaisissa olosuhteissa käytettävät suojavarusteet, kuten pölynaamari, liukumattomat turvajalkineet, suojakypärä tai kuulosuojaimet vähentävät henkilövahinkoja.
 - Estä tahaton käynnistyminen.** Varmista, että kytkin on off-asenossa, ennen kuin liität työkalun virtalähteeseen ja/tai akkuun, nostat tai kannat työkalua. Sähkötyökalujen kantaminen sormi kytkimen päällä tai sähkötyökalujen kytkeminen päälle, kun kytkin on päällä, aiheuttaa onnettomuuksia.
 - Poista kaikki säätöavain tai jakoavain ennen sähkötyökalun käynnistämistä.** Jakoavain tai avain, joka jätetään kiinni sähkötyökalun pyöriivään osaan, voi aiheuttaa henkilövahinkoja.
 - Älä kurota liikaa. Pysy koko ajan oikeassa asenossa ja tasapainossa.** Tämä mahdollistaa sähkötyökalun paremman hallinnan odottamattomissa tilanteissa.
 - Pukeudu kunnolla.** Älä käytä välijiä vaatteita tai koruja. Pidä hiuksesi, vaatteet ja käsineet poissa liikkuvista osista. Löysät vaatteet, korut tai pitkät hiukset voivat tarttua liikkuviin osiin.
 - Jos pölynpoisto- ja keräyslaitteiden liittämistä varten on laitteita, varmista, että ne on kytketty ja niitä käytetään oikein.** Pölynkeräyksen käyttö voi vähentää pölyyn liittyviä vaaroja.
 - Älä anna toistuvasta käytöstä saatua tuttua työkalujen avulla voit olla omahyväinen ja sivuuttaa työkalujen turvallisuusperiaatteet.** Huolimatonta toimintaa voi aiheuttaa vakava vamma sekunnin murto-osassa.
- #### 4. Sähkötyökalun käyttö ja huolto
- Älä käytä sähkötyökalua väkisin.** Käytä sovellukseesi sopivaa sähkötyökalua. Oikea sähkötyökalu tekee työn paremmin ja turvallisemmin sillä nopeudella, jota varten se on suunniteltu.
 - Älä käytä sähkötyökalua, jos sitä ei kytketä päälle ja pois kytkimestä.** Kaikki sähkötyökalut, joita ei voi ohjata kytkimellä, ovat vaarallisia ja ne on korjattava.

- c. **Irrota pistoke virtalähteestä ja/tai akku sähkötyökalusta ennen säätöjen tekemistä, lisävarusteiden vaihtamista tai sähkötyökalujen varastointia.**Tällaiset ennaltaehkäisevät turvatoimenpiteet vähentävät sähkötyökalun vahingossa käynnistymisen riskiä.
- d. **Säilytä käyttämättömät sähkötyökalut poissa lasten ulottuvilta äläkä anna sähkötyökalua tai näitä ohjeita tuntemattomien käyttää sähkötyökalua.**Sähkötyökalut ovat vaarallisia kouluttamattomien käyttäjien käsissä.
- e. **Huolla sähkötyökaluja ja tarvikkeita.**Tarkista liikkuvien osien kohdistusvirhe tai kiinnittyminen, osien rikkoutuminen ja muut olosuhteet, jotka voivat vaikuttaa sähkötyökalun toimintaan.Jos sähkötyökalu on vaurioitunut, korjauta se ennen käyttöä.Monet onnettomuudet johtuvat huonosti huolletuista sähkötyökaluista.
- f. **Pidä leikkuutyökalut terävinä ja puhtaina.**Oikein huolletut leikkuutyökalut, joissa on terävät leikkuureunat, eivät tartu helposti kiinni ja niitä on helpompi hallita.
- g. **Käytä sähkötyökalua, lisävarusteita ja työkalun teriä jne.näiden ohjeiden mukaisesti ottaen huomioon työolosuhteet ja suoritettava työ.**Sähkötyökalun käyttö erilaisiin toimintoihin kuin on tarkoitettu voi aiheuttaa vaaratilanteen.
- h. **Pidä kahvat ja tartuntapinnat kuivina, puhtaina ja öljytön ja rasvaton.**Liukat kahvat ja tartunta pinnat eivät mahdollista turvallista käsittelyä ja hallintaa työkalu odottamattomissa tilanteissa.
5. **Akkutyökalun käyttö ja hoito**
- a. **Lataa vain valmistajan määrittelemällä laturilla.**Yhden tyyppiselle akulle sopiva lauri voi aiheuttaa tulipalon vaaran, kun sitä käytetään toisen akun kanssa.
- b. **Käytä sähkötyökaluja vain erityisillä akuilla.**Muiden akkujen käyttö voi aiheuttaa loukkaantumis- ja tulipalon vaaran.
- c. **Kun akkua ei käytetä, pidä se loitolla muista metalliesineistä, kuten paperiliittimistä, kolikoista, avaimista, nauloista, ruuveista tai muista pienistä metalliesineistä, jotka voivat muodostaa yhteyden liittimestä toiseen.**Akun napojen oikosulku voi aiheuttaa palovammoja tai tulipalon.
- d. **Väärinkäytöksissä akusta saattaa vuotaa nestettä vältä kontaktia.**Jos kosketus tapahtuu vahingossa, huuhtele vedellä.Jos nestettä joutuu silmiin, hakeudu lisäksi lääkärin hoitoon.Akusta roiskuva neste voi aiheuttaa ärsytystä tai palovammoja.
- e. **Älä käytä akkua tai työkalua, joka on vahingoittunut tai muutettu.**Vaurioituneet tai muunnetut akut voivat käyttäytyä arvaamattomalla tavalla, mikä voi aiheuttaa tulipalon, räjähdyksen tai loukkaantumisvaaran.

- f. **Älä altista akkua tai työkalua tulelle tai liialliselle lämpötilalle.**Altistuminen tulelle tai yli 130 °C lämpötilalle voi aiheuttaa räjähdyksen.
- g. **Noudata kaikkia latausohjeita äläkä lataa akkua tai työkalua ohjeissa määritellyn lämpötila-alueen ulkopuolella.**Virheellinen lataaminen tai määritellyn alueen ulkopuolella olevissa lämpötiloissa voi vaurioittaa akkua ja lisätä tulipalon vaaraa.

6. Palvelu

- a. **Huollata sähkötyökalusi pätevällä korjaajalla käyttämällä vain identtisiä varaosia.**Näin varmistetaan, että sähkötyökalun turvallisuus säilyy.
- b. **Älä koskaan huolla vaurioitunutta AKKU-pakettia.**Vain valmistaja tai valtuutetut huoltoliikkeet saavat huoltaa AKKUA

Sähkötyökalujen lisäturvavaroitukset

- ◆ **Käytä työkalun mukana toimitettuja apukahvoja.**Hallinnan menetys voi aiheuttaa henkilövahinkoja.
- ◆ **Pitele sähkötyökalua eristetyistä tartuntapinnoista, kun suoritat toimenpiteitä, joissa leikkaustarvike voi koskettaa piilotettuja johtoja.**Jos leikkaustarvike koskettaa "jännittävää" johtoa, sähkötyökalun paljaat metalliosat "jännittyvät" ja käyttäjä voi saada sähköiskun.
- ◆ **Pitele sähkötyökalua eristetyistä tartuntapinnoista, kun suoritat toimenpiteitä, joissa kiinnitin voi koskettaa piilotettuja johtoja.**Kiinnikkeet, jotka joutuvat kosketuksiin "jännitteisen" johdon kanssa, voivat tehdä sähkötyökalun paljastuneista metalliosista "jännitteiksi" ja aiheuttaa käyttäjälle sähköiskun.
- ◆ **Käytä puristimia tai muuta käytännöllistä tapaa kiinnittää ja tukea työkalua vakaalle alustalle.**Toeksen pitäminen kädellä tai varraloa vasten jättää sen epävakaaaksi ja voi johtaa hallinnan menettämiseen.
- ◆ **Ennen kuin poraat seiniin, lattioihin tai kattoon, tarkista johtojen ja putkien sijainti.**
- ◆ **Vältä poranterän kärjen koskettamista heti porauksen jälkeen, koska se voi olla kuuma.**
- ◆ **Käyttötarkoitus on kuvattu tässä käyttöohjeessa.**Muiden kuin tässä käyttöoppaassa suositeltujen lisävarusteiden tai lisälaitteiden käyttö tai toimintojen suorittaminen tällä työkalulla voi aiheuttaa henkilö- ja/tai omaisuusvahinkojen vaaran.

Muiden turvallisuus

- ◆ **Älä koskaan anna lasten, henkilöiden, joilla on alentuneet fyysiset, aisti- tai henkiset kyvyt tai joilla ei ole kokemusta ja tietoa tai henkilöitä, jotka eivät tunne näitä ohjeita, käyttää konetta,**
- ◆ **Paikalliset määräykset voivat rajoittaa käyttäjän ikää.**
- ◆ **Älä koskaan käytä konetta, kun lähellä on ihmisiä, erityisesti lapsia, tai lemmikkejä.**

Lisäturvallisuusohjeet johdottomille naulajille

- ◆ Käytä aina suojalaseja.
- ◆ Käytä aina kuulosuojaimia.
- ◆ Käytä vain käsikirjassa määritellyn tyyppisiä kiinnikkeitä.
- ◆ Älä käytä telineitä työkalun kiinnittämiseen a tuki.
- ◆ Älä pura tai tuki mitään kiinnittimen käyttötyökalun osia, kuten kosketuslaukaisua.
- ◆ Tarkista ennen jokaista käyttöä, että turvallisuus ja laukaisumeکانismi toimii kunnolla ja että kaikki mutterit ja pultit ovat tiukalla.
- ◆ Älä käytä työkalua vasarana.
- ◆ Älä käytä työkalua tikkailla.
- ◆ Älä koskaan osoita mitään toimivaa kiinnitystyökalua itseäsi tai toista henkilöä kohti.
- ◆ Pidä työkalua työskennellessäsi niin, ettei se voi aiheuttaa vammoja päähän tai vartaloon mahdollisessa rekyllissä, joka johtuu energiansyötön häiriöstä tai työkalupaleen kovista alueista.
- ◆ Älä koskaan käytä kiinnittimen käyttötyökalua vaapaaseen tilaan.
- ◆ Kanna työkalua työalueella työpaikalla vain yhdellä kahvalla, älä koskaan liipaisinta painettuna.
- ◆ Ota huomioon työalueen olosuhteet. Kiinnikkeet voivat tunkeutua ohuisiin työkalupaleisiin tai liukua pois työkalupaleen kulumista ja reunoista ja siten vaarantaa ihmisiä.
- ◆ Älä käytä kiinnikkeitä työkalupaleen reunan lähelle.
- ◆ Älä aja kiinnikkeitä muiden kiinnikkeiden päälle.
- ◆ Oletetaan aina, että työkalu sisältää kiinnikkeitä. Naulaimen huolimaton käsittely voi johtaa kiinnikkeiden odottamattomaan laukeamiseen ja henkilövahinkoon.
- ◆ Älä suuntaa työkalua itseäsi tai muita lähellä olevia kohti. Odottamaton laukaisu purkaa kiinnikkeen aiheuttaen vamman.
- ◆ Älä käytä työkalua, ellei se ole tukevasti työstettävää kappaletta vasten. Jos työkalu ei ole kosketuksissa, kiinnitin voi taipua pois kohteestasi.
- ◆ Irrota työkalu virtalähteestä, kun kiinnike juuttuu työkaluun. Kun irrotat juuttunutta kiinnitintä, naulaus voi aktivoitua vahingossa, jos se on kytketty.
- ◆ Älä käytä tätä työkalua sähkökaapeleiden kiinnittämiseen. Sitä ei ole suunniteltu sähkökaapeleiden asennukseen ja se voi vaurioittaa sähkökaapeleiden eristystä aiheuttaen sähköiskun tai tulipalon vaaran.

Jäännösriskit

Ylimääräisiä jäännösriskejä voi syntyä käytettäessä työkalua, jota ei välttämättä ole sisällytetty mukana oleviin turvallisuusvaroituksiin. Nämä riskit voivat johtua väärinkäytöstä, pitkäaikaisesta käytöstä jne. Tiettyjä jäännösriskejä ei voida välttää vaikka sovellettaisiin asianmukaisia turvallisuusmääräyksiä ja turvalaitteita. Nämä sisältävät:

- ◆ Pyörivien/liikkuvien osien koskettamisesta aiheutuneet vammat.
- ◆ Osia, teriä tai lisävarusteita vaihdettaessa aiheutuneet vammat.
- ◆ Työkalun pitkäaikaisen käytön aiheuttamat vammat. Kun käytät mitä tahansa työkalua pitkiä aikoja, varmista, että pidät säännöllisiä taukoja.
- ◆ kuulon heikkeneminen.
- ◆ Työkalua käytettäessä syntyneen pölyn hengityksestä johtuvat terveysvaarat (esimerkki- puun, erityisesti tammen, pyökkin ja MDF:n työstö.)

Melu ja värinä

Teknisissä tiedoissa ja vaatimustenmukaisuusvakuutuksessa ilmoitetut melu- ja värinäpäästöarvot on mitattu standardin EN60745 tarjoaman testimenetelmän mukaisesti ja niitä voidaan käyttää työkalujen vertailuun. Ilmoitettua melu- ja värinäpäästöarvoa voidaan käyttää myös altistumisen alustavassa arvioinnissa.

Varoitus! Sähkötyökalun todellisen käytön aikaiset melu- ja värinäpäästöarvot voivat poiketa ilmoitetusta arvosta riippuen työkalun käyttötaavoista. Melu- ja värinätaaso voi nousta ilmoitetun tason yläpuolelle.

Arvioitaessa melu- ja värinäaltistumista ja määritettäessä turvatoimenpiteitä, joita direktiivissä 2002/44/EY vaaditaan sähkötyökaluja säännöllisesti työssä käyttävien henkilöiden suojelemiseksi, melu- ja värinäaltistuksen arvioinnissa on otettava huomioon todelliset käyttöolosuhteet ja työkalun käytötapa, mukaan lukien ottaminen huomioon kaikki toimintajakson osat, kuten ajat, jolloin työkalu on sammutettu ja kun se käy tyhjäkäynnillä liipaisuajan lisäksi.

Tarrat työkalussa

Seuraavat symbolit näkyvät työkalussa yhdessä päivämääräkoodin kanssa:



Varoitus! Loukkaantumisen riskin vähentämiseksi käyttäjän on luettava käyttöohjeet.



Varoitus! Loukkaantumisen riskin vähentämiseksi käyttäjän on käytettävä kuulosuojaimia ja silmiä.



Varoitus: Älä tuljota käyttölamppua.



Välittömän työpinnan valaisemiseen sekä akun heikon ilmaisimen ja jumiutuneen kynnen ilmaisimen.



Pidä kädet ja ruumiinosat etäällä välittömän työalueen.

Lisäturvaohjeet akuille ja latureille

Akut

- Älä koskaan yritä avata mistään syystä.
- Älä altista akkua vedelle.
- Älä säilytä paikoissa, joissa lämpötila voi ylittää 40 °C.
- Lataa vain ympäristön lämpötilassa 10 °C - 40 °C.
- Kun hävität paristot, noudata luvussa "Ympäristön suojeleminen" annettuja ohjeita.
- Älä vahingoita/muodosta akkua puhkaisemalla tai iskulla, koska tämä voi aiheuttaa loukkaantumis- ja tulipalon vaaran.
- Älä lataa vahingoittuneita akkuja.
- Äärimmäisissä olosuhteissa akku voi vuotaa. Kun huomaat akkuissa nestettä Pyyhi neste varovasti pois liinalla. Vältä ihokosketusta.
- Jos ainetta joutuu iholle tai silmiin, noudata alla olevia ohjeita.

Varoitus! Akun neste voi aiheuttaa henkilö- tai omaisuusvahinkoja. Jos ainetta joutuu iholle, huuhtelee välittömästi vedellä. Jos punoitusta, kipua tai ärsytystä ilmenee, hakeudu lääkärin hoitoon. Jos ainetta joutuu silmiin, huuhtelee välittömästi puhtaalla vedellä ja hakeudu lääkärin hoitoon.



Älä yritä ladata vaurioituneita akkuja

Laturit

- Käytä STANLEY FATMAX -laturia vain laitteen lataamiseen akku työkalussa, jonka kanssa se toimitettiin. muu akut voivat räjähtää ja aiheuttaa henkilövahinkoja ja vahinkoja.
- Älä koskaan yritä ladata ei-ladattavia akkuja.
- Vaihda viralliset johdot välittömästi.
- Älä altista laturia vedelle.
- Älä avaa laturia.
- Älä tutki laturia

Symbolit laturissa



Laturi on tarkoitettu vain sisäkäyttöön.



Lue käyttöohje ennen käyttöä.

Sähköturvallisuus



Sovittimesi on kaksoiseristetty; siksi maadoitusjohtoa ei tarvita. Tarkista aina, että verkkojännite vastaa arvokilvessä olevaa jännitettä. Älä koskaan yritä vaihtaa sovitynsykköä tavalliseen verkkovirtapistokkeeseen.

Ominaisuuksia

Tämä laite sisältää osan tai kaikki seuraavista ominaisuuksista.

1. Liipaisinkytkin
2. Liipaista lukituskytkin
3. Syvyydensääätöpyörä
4. Syvyydensäädön ilmainen
5. Työvalot/akun alhainen/tukoksen/pysähtymisen ilmainen
6. Juoksen vapautusvipu
7. Tukosten poistosalpa
8. Ota yhteyttä
9. Aikakauslehti
10. Työntimen salpa
11. Lisävarusteiden kiinnityspaikka
12. Akku

Käyttää

Varoitus! Anna työkalun toimia omaan tahtiinsa.

Älä ylikuormita.

Akun lataaminen (kuva A)

Akku on ladattava ennen ensimmäistä käyttökertaa ja aina, kun se ei tuota riittävästi virtaa aiemmin helposti tehtävissä töissä. Akku voi lämmetä latauksen aikana; tämä on normaalia eikä tarkoita ongelmaa.

Varoitus! Älä lataa akkua ympäristön lämpötilassa alle 10 °C tai yli 40 °C. Suositeltu latauslämpötila: n.24 °C.





Huomautus: Laturi ei lataa akkua, jos kennon lämpötila on alle noin 10 °C tai yli 40 °C. Akku tulee jättää laturiin ja laturi alkaa latautua automaattisesti, kun kennon lämpötila lämpenee tai jäähtyy.

Huomautus: Litiumioniakkujen maksimaalisen suorituskyvyn ja käyttöiän varmistamiseksi lataa akku täyteen ennen ensimmäistä käyttöä.

- Kytke laturi (13) sopivaan pistorasiaan, ennen kuin asetat akun (12) paikalleen.
- Vihreä latausvalo (13a) vilkkuu jatkuvasti osoittaen, että latausprosessi on alkanut.
- Lataus on valmis, kun vihreä latausvalo (13a) palaa jatkuvasti. Akkupakkaus (12) on ladattu täyteen ja se voidaan poistaa ja käyttää tällä hetkellä tai jättää laturiin (13).
- Lataa tyhjentyneet akut 1 viikon sisällä. Akun käyttöikä lyhenee huomattavasti, jos sitä säilytetään tyhjänä.

Laturin LED-tilat

	<p>Lataus: Vihreä LED katkonainen</p>	
--	--	--

	Ladattu täyteen: Vihreä LED kiinteä	
	Kuuma/kylmä pakkauksen viive: Vihreä LED katkonainen Punainen LED kiinteä	

Huomautus: Yhteensopivat laturit eivät lataa viallista akkua. Laturi ilmoittaa viallisesta akusta kieltäytymällä syyttämistä valoa.

Huomautus: Tämä voi myös tarkoittaa ongelmaa laturissa. Jos laturi osoittaa ongelman, vie laturi ja akku testattavaksi valtuutettuun huoltoliikkeeseen.

Akun jättäminen laturiin

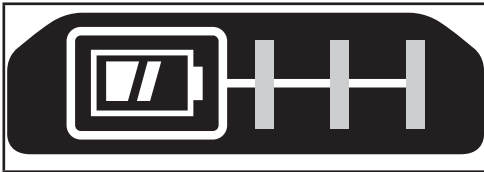
Laturi ja akku voidaan jättää kytkettyinä LED-valon palaessa loputtomiin. Laturi pitää akun tuoreena ja täyteen ladattuna.

Kuuma/kylmä pakkauksen viive

Kun laturi havaitsee liian kuumaa tai liian kylmää akkua, se käynnistää automaattisesti Hot/Cold Pack Delay -viiveen, vihreä LED (13a) vilkkuu ajoittain, kun taas punainen LED (13b) palaa jatkuvasti ja keskeyttää latauksen, kunnes akku on saavuttanut sopivan lämpötilan. Siis laturi siirtyy automaattisesti paketin lataustilaan. Tämä ominaisuus takaa maksimaalisen akun käyttöiän.

Akun varaustilan ilmaisin (kuva B)

Akussa on lataustilan ilmaisin, joka määrittää nopeasti akun käyttöiän, kuten kuvassa B. Painamalla lataustilapainiketta (12a) voit helposti tarkastella akussa jäljellä olevaa varausta kuvan B mukaisesti.



Akun asentaminen ja poistaminen työkalusta

Varoitus! Varmista, että lukituspainike on kytkettyinä estääksesi kytkimen aktivoitumisen ennen akun poistamista tai asentamista.

Akun asentaminen (kuva C)

◆ Työnä akku tiukasti työkaluun, kunnes kuuluu napsahdus kuvan C mukaisesti. Varmista, että akku on täysin paikoillaan ja lukittuu täysin paikalleen.

Akun poistaminen (kuva D)

◆ Paina akun vapautuspainiketta (12b) kuvan D mukaisesti ja vedä akku ulos työkalusta.

Ripustuskoukku (kuvat E, F)

Varoitus! Poista naulat lehdestä ennen niiden tekemistä tämän työkalun säädöt tai huolto. Jos näin ei tehdä, seurauksena voi olla vakavassa loukkaantumisessa.

Varoitus! Vähentääksesi vakavan henkilövahingon riskiä, aseta eteen/taakse-painike lukitusasentoon tai sammuta työkalu ja irrota akku ennen kuin teet sen kaikki säädöt tai lisälaitteiden poistaminen/asentaminen tai Lisätarvikkeet. Tahaton käynnistys voi aiheuttaa loukkaantumisen.

Varoitus! Vakavien henkilövahinkojen riskin vähentämiseksi varmista ruuvi (15), joka pitää ripustuskoukun, on kiinni.

Varoitus: Kun työkalua ei käytetä, aseta se kyljelleen tallelle pintaa, jossa se ei aiheuta kompastumis- tai putoamisvaaraa. Jotkut suurella kulla varustetut työkalut seisovat pystyasennossa akkupakkaus, mutta se voi helposti kaatua.

Huomautus: Käytä ripustuskoukku (14) kiinnittäessäsi tai vaihtaessasi vain mukana tuleva ruuvi (15). Varmista turvallisesti kiristä ruuvi.

Jos koukku ei haluta ollenkaan, se voidaan irrottaa työkalu. Siirrä ripustuskoukku irrottamalla ruuvi (15), joka pitää kiinni ripusta koukku (14) paikalleen.

Huomautus: Saatavilla on erilaisia ohjauksien koukkuja ja tallennuskokoonpanoja.

Vieraile verkkosivuiltamme www.stanley.eu/3 saadaksesi lisätietoja.

Operaatio

Varoitus! Lue tämän oppaan alussa oleva kohta Naulaimen turvallisuusvaroitukset. Käytä aina silmää ja korvaa suojaata tätä työkalua käytettäessä.

Pidä naulakko poissa itsestäsi ja muista. Turvallisen käytön varmistamiseksi suorita seuraavat toimenpiteet ja tarkistukset ennen jokaista naulaimen käyttöä.

Varoitus! Henkilövahinkojen vaaran vähentämiseksi irrota akku työkalusta ja kytke liipaisimen lukitus ennen huoltoa, juuttuneiden naulojen poistamista, työskentelyalueelta poistamista, työkalun siirtämistä toiseen paikkaan tai työkalun luovuttamista toiselle henkilölle.

Varoitus! Pidä sormet POISSA liipaisimesta, kun et käytä kiinnikkeitä tahattoman laukaisun välttämiseksi. Älä koskaan kanna työkalua sormi liipaisimen päällä.

- ◆ Käytä asianmukaista silmä-, kuulo- ja hengityssuojainta.
- ◆ Irrota akku työkalusta ja kytke liipaisimen lukitus.
- ◆ Lukitse työntäjä taka-asentoon ja poista kaikki naulanauhakapasitit.

- ◆ Tarkista, että kosketinlaukaisu- ja työntökokoonpanot toimivat sujuvasti ja oikein. Älä käytä työkalua, jos jompi-kumpi kokoonpano ei toimi kunnolla.
- ◆ Älä koskaan käytä työkalua, jossa on vaurioituneet osat.

Varoitus! Käytä työkalua kiinnikkeillä enintään 30 kertaa/ min nopeudella.

Naulaimen käyttöä varten

Varoitus! Kosketinlaukaisu on painettava alas, minkä jälkeen jokaisen naulan liipaisin on painettava kokonaan, minkä jälkeen sekä kosketinlaukaisu että liipaisin on vapautettava jokaisen naulan jälkeen.

Varoitus! Akku on aina poistettava ja liipaisimen lukitus kytkettävä aina, kun säätöjä tehdään tai kun työkalua ei käytetä.

- ◆ Paina kosketuslaukaisu kokonaan työtason vasten.
- ◆ Paina liipaisinta kokonaan ja moottori käynnistyy.(naula osuu työtason).
- ◆ Vapauta liipaisin.
- ◆ Nosta kosketuslaukaisu pois työtasolta.
- ◆ Toista yllä olevat 4 vaihetta seuraavaa käyttöä varten.

Työkalun valmistelu

Varoitus! ÄLÄ KOSKAAN suihkuta tai käytä millään muulla tavalla öljyä, voiteluaineita tai puhdistusliuottimia työkalun sisään. Tämä voi vaikuttaa vakavasti työkalun käyttöikään ja suorituskykyyn.

Varoitus! Akku on aina poistettava ja liipaisimen lukitus kytkettävä aina, kun säätöjä tehdään tai kun työkalua ei käytetä.

- ◆ Lue tämän oppaan Turvaohjeet-osio.
- ◆ Käytä silmä- ja kuulosuojaimia.
- ◆ Irrota akku työkalusta ja lataa se täyteen.
- ◆ Varmista, että lipas on tyhjä kaikista kiinnikkeistä.
- ◆ Tarkista, että kosketinlaukaisu- ja työntökokoonpanot toimivat sujuvasti ja oikein. Älä käytä työkalua, jos jompi-kumpi kokoonpano ei toimi kunnolla.
- ◆ Pidä työkalu suunnattuna etäällä itsestäsi ja muista.
- ◆ Aseta täyteen ladattu akku paikalleen.

Käden oikea asento (kuva G)

Varoitus! Vähentääksesi vakavan henkilövamman riskiä, käytä AINA oikeaa käsien asentoa kuvan G mukaisesti.

Varoitus! Vähentääksesi vakavan henkilövahingon riskiä, Pidä AINA tukevasti kiinni äkillisen reaktion varalta.

Oikea käsien asento vaatii yhden käden pääkahvassa.

Syvyys säätö (kuva H)

Kiinnikkeen käyttösyvyttä voidaan säätää työkalun sivulla olevalla syvyys säätöpyörällä (3).

Varoitus! Voit vähentää vahingossa tapahtuvan painamisen aiheuttaman vakavan loukkaantumisen riskiä, kun yrität säätää syvyyttä, aina:

- ◆ Irrota akku.

- ◆ Kytke liipaisimen lukitus päälle.

- ◆ Vältä koskettamasta liipaisinta säätöjen aikana.

Syvyysasetukset ovat liukuvalla asteikolla (4). Vasen puoli osoittaa syvimmän ja oikea puoli matalinta.

- ◆ Työntääksesi naulan syvemmälle, käännä syvyyden säätöpyörää (3) alaspäin. Tämä siirtää syvyyden säädön ilmaisimen (4) asteikolla vasemmalle.
- ◆ Voit ajaa naulan matalammaksi kääntämällä syvyyden säätöpyörää (3) ylöspäin. Tämä liu'uttaa syvyyden säädön ilmaisimen (4) oikealle asteikolla.

Työkalun lataaminen ja purkaminen (kuva I, J)

Varoitus! Pidä työkalu suunnattuna pois päin itsestäsi ja muista. Seurauksena voi olla vakava henkilövahinko.

Varoitus! Älä koskaan lataa naujoja kosketuslaukaisun tai liipaisimen ollessa aktiivituuna.

Varoitus! Poista akku aina ennen naulojen lataamista tai purkamista.

Varoitus! Akku on aina poistettava ja liipaisimen lukitus kytkettävä aina, kun säätöjä tehdään tai kun työkalua ei käytetä.

Työkalun lataus

- ◆ Paina työntimen salpaa (10) ja vedä makasiini alas.
- ◆ Aseta kiinnikkeet makasiinin sivuun. Varmista, että kiinnityskärjet ovat makasiinin etuosaa kohti naulanohjaimen (16) alle naulakanavassa.
- ◆ Paina makasiini kiinni, kunnes se lukittuu paikalleen.

Varoitus! Pidä sormet etäällä työntimestä loukkaantumisen estämiseksi.

Työkalun purkaminen

Varoitus! Akku tulee aina poistaa ja liipaisimen lukitus kytkeä päälle aina, kun säätöjä tehdään tai kun työkalua ei käytetä.

- ◆ Paina naulan työntimen salpaa ja vedä makasiini alas.
- ◆ Kallista työkalua, kunnes naulat liukuvat vapaasti ulos -lehtä
- ◆ Avaa tukoksenpoistoluukku (7) nenäkappaleessa varmistaaksesi, ettei naujoja ole jäljellä.

Työvalot (kuva K)

Naulaimen molemmilla puolilla on työvalot (5). Työvalot sytyttävät, kun kosketinlaukaisua painetaan.

Huomautus: Nämä työvalot on tarkoitettu välittömän työpinnan valaisemiseen, eikä niitä ole tarkoitettu käytettäväksi taskulamppuina.



Alhaisen akun ilmaisin:

Vasemmanpuoleinen työvalo välähtää neljä kertaa peräkkäin ja sammuu sitten ilmaisemaan akun heikon.



Tukkeutuneen kynnen ilmaisin:

Oikeanpuoleinen työvalo vilkkuu jatkuvasti, jos naula juuttuu suukappaleeseen (katso Juttuun jääneen naulan poistaminen).

Talkun vapautus (kuva L)

Varoitus! Jos laite pysähtyy, työkalu sammuu ja vaatii sen nollaamista. Noudata pysähtyneen tilan poistamishojeita. Irrota seuraavaksi akku ja aseta akku takaisin paikalleen. Työkalu on nyt käyttövalmis.

Jos naulainta käytetään tiukassa sovelluksessa, jossa kaikki Mootorissa olevaa energiaa käytetään kiinnittimen käyttämiseen, työkalu saattaa jumittua. Ohjainterä ei suorittanut ajojaksoa loppuun ja tukos/pysähdysmerkkivalo vilkkuu. Kierrä työkalussa olevaa jumutumisen vapautusvipua (6), jolloin mekanismi vapautuu kuvan L mukaisesti.

Huomautus! Työkalu kytkeytyy pois päältä eikä nollaudu ennen kuin akku on poistettu ja asetettu takaisin. Jos laite pysähtyy edelleen, tarkista materiaali ja kiinnikkeen pituus varmistaaksesi, ettei se ole liian tiukka käyttö. Jos kuljettaja terä ei palaa automaattisesti aloitusasentoon jumutumisen vapautusvivun kääntämisen jälkeen, jatka "jumittuneen naulan poistamiseen".

Juuttuneen kynnen poistaminen (kuva M, N)

Varoitus! Voit vähentää henkilövahinkojen vaaraa irrottamalla akku työkalusta ja kytkemällä liipaisimen lukituksen pois päältä ennen huoltoa tai jumittuneen naulan poistamista. Jos naula juuttuu suukappaleeseen, pidä työkalu suunnattuna pois päin itsestäsi ja poista se noudattamalla näitä ohjeita:

- ◆ Irrota akku työkalusta ja kytke liipaisimen lukitus.
- ◆ Poista kuormitetut naulat. Katso Työkalun lataaminen ja purkaminen.
- ◆ Nosta tukosten selvityssalppaa 7 ja vedä sitten ylöspäin avataksesi etulukuun 1.
- ◆ Poista taipunut naula tarvittaessa pihdeillä.
- ◆ Jos käyttöterä on ala-asennossa, kierrä jumitumisvapautusvipua 6 käyttämällä tarpeeksi voimaa liu'uttaaksesi sen kokonaan koteloiden raon toiseen päähän.

- ◆ Sulje etuovi ja kiinnitä nenäkappaleen kahden varren 18 alla oleva salpa. Paina salppaa, kunnes se lukittuu paikalleen.
- ◆ Aseta akku takaisin paikalleen.

Varoitus! Jos tukos tapahtuu, työkalu kytkeytyy pois päältä ja vaatii sen nollaamista. Noudata jumituneen naulan poistamista koskevia ohjeita. Irrota seuraavaksi akku ja aseta akku takaisin paikalleen. Työkalu on nyt käyttövalmis.

Huomaa! Jos naulat juuttuvat edelleen usein kosketuskatkaisun aikana, vie työkalu valtuutetun STANLEY FATMAX -huoltokeskuksen huoltoon.

Toiminta kylmällä säällä

Kun käytät työkaluja pakkasen alapuolella:

- ◆ Pidä työkalu mahdollisimman lämpimänä ennen käyttöä.
- ◆ Käytä työkalua 5 tai 6 kertaa rompuuuhun ennen käyttöä.

Kuuman sään toiminta

Työkalun tulee toimia normaalisti. Pidä työkalu kuitenkin poissa suorasta auringonpaisteesta, koska liiallinen kuumuus voi heikentää puskureita ja muita kumiosia, mikä lisää huoltoa.

No-mar kärki (kuva O)

Työkalu on varustettu ylimääräisellä no-mar kärjellä (19), joka sijaitsee naulamakasiinin sivulla.

Jos haluat vaihtaa no-mar-tyynyn, vedä vanha no-mar-tyyny irti ja asenna uusi no-mar-tyyny takaisin kosketuslaukaisuun (8).

Vaihto-osat

Varoitus! Voit vähentää henkilövahinkojen vaaraa irrottamalla akku työkalusta ja kytkemällä liipaisimen lukituksen pois päältä ennen huoltoa tai jumittuneen naulan poistamista. Työkalu on varustettu naulamakasiinin sivulla olevalla varakärjellä. Käytä vain identtisiä varaosia. Varaosaluetteloa tai osien tilaamista varten vieraille huoltosivustollamme osoitteessa www.stanley.eu/3co.uk. Voit myös tilata osia lähimmältä STANLEY FATMAXin tehdas- tai huoltokeskuksesta tai STANLEY FATMAXin valtuutetulta takuu.

Lisätarvikkeet

Varoitus! Koska muita kuin STANLEY FATMAXin tarjoamia lisävarusteita ei ole testattu tämän tuotteen kanssa, tällaisten lisävarusteiden käyttö tämän työkalun kanssa voi olla vaarallista. Loukkaantumisen riskin vähentämiseksi tämän tuotteen kanssa tulee käyttää vain STANLEY FATMAXin suosittelemia lisävarusteita. Suositellut lisävarusteet työkalusi kanssa käytettäväksi ovat saatavana lisämaksusta paikalliselta jälleenmyyjältä tai valtuutetulta palvelukeskuksesta.

Vianmääritys

Jos laitteesi ei näytä toimivan kunnolla, noudata seuraavia ohjeita. Jos tämä ei ratkaise ongelmaa, ota yhteyttä paikalliseen STANLEY FATMAX -korjausliikkeeseen.

Varoitus! Ennen kuin jatkat, irrota laite pistorasiasta.

Ongelma	mahdollinen syy	Mahdollinen ratkaisu
Unit will not start.	Akkupakettia ei ole asennettu oikein. Akkua ei ole ladattu. Liipaisimen lukitus on khalloissa.	Tarkista akun asennus. Tarkista akun latausvaatimukset. Vapauta liipaisimen lukitus.
Työkalu ei käytä. (Ajovalot päällä, moottori ei käy)	Moottori pysähtyy 2 sekunnin kuluttua.	Normaali operaatio; vapauta liipaisin tai kosketinlaukaisu ja paina uudelleen.
Työkalu ei toimi. (Ajovalot vilkkuvat)	Akun varaus on alhainen tai akku on vaurioitunut.	Lataa tai vaihda akku.
Työkalu ei toimi. (Ajovalot vilkkuvat jatkuvasti)	Kiinnitin juuttunut / työkalu jumissa. Jumissa mekanismi	Irrota akku, käännä juoksen vapautusvipua. Irrota juuttunut kiinnike ja aseta akku takaisin paikalleen. Katso valtuutettu huoltokeskus.
Työkalu ei toimi. (Ajovalot päällä, moottori käy, kuljettajan terä jumissa)		Katso valtuutettu huoltokeskus.
Työkalu toimii, mutta toimii älä käytä kiinnintä kokonaan.	Akun varaus on alhainen tai akku on vaurioitunut. Syyvyyssäätö liian matalaksi. Työkalua ei ole kiinnitetty tiukasti työkappaleeseen. Materiaali ja kiinnikkeen pituus liian tiukka sovellus.	Lataa tai vaihda akku. Kierrä syyvyydensäätöpyörä asentoon syvemmälle asetukselle. Lue käyttöohje. Valitse sopiva materiaali tai kiinnikkeen pituus.

Huolto

STANLEY FATMAX langallinen/langaton laitteesi/työkalusi on suunniteltu toimimaan pitkään ja vähällä huollolla. Jatkuva tyydyttävä toiminta riippuu asianmukaisesta työkalun/laitteen hoidosta ja säännöllisestä puhdistuksesta.

Varoitus! Katkaise virta ja irrota laite pistorasiasta ennen minkään puhdistuksen suorittamista.

- ◆ Lika ja rasva voidaan poistaa laitteen ulkopuolelta kankaalla.

Varoitus! ÄLÄ KOSKAAN käytä liuottimia tai muita vahvoja kemikaaleja laitteen ei-metallisten osien puhdistamiseen. Nämä kemikaalit voivat heikentää näissä osissa käytettyjä materiaaleja.

Käytä vain vedellä ja miedolla saippualla kostutettua liinaa. Älä koskaan päästä nestettä laitteen sisään. Älä koskaan upota mitään laitteen osaa nesteeseen.

Varoitus! ÄLÄ KOSKAAN suihkuta tai millään muulla tavalla käytä voiteluaineita tai puhdistusliuottimia työkalun

sisään. Tämä voi vaikuttaa vakavasti työkalun käyttöikään ja suorituskykyyn.

Huomautuksia palvelusta

Tämä tuote ei ole käyttäjän huollettavissa. Naulaimen sisällä ei ole käyttäjän huollettavia osia. Huolto on suoritettava valtuutetussa huoltokeskuksessa, jotta vältetään staattisen sähköherkkien sisäosien vaurioituminen.

Ympäristön suojeleminen



Erillinen kokoelma. Tällä symbolilla merkityitä tuotteita ja paristoja ei saa hävittää tavallisen kotitalousjätteen mukana.

Tuotteet ja akut sisältävät materiaaleja, jotka voidaan ottaa talteen tai kierrättää, mikä vähentää raaka-aineiden kysyntää. Kierrätä sähkötuotteet ja akut paikallisten määräysten mukaisesti. Lisätietoja on saatavilla osoitteessa www.2helpU.com

Tekniset tiedot

		SFMCN618 Type:1
Jännite	V _{DC}	18
Akkutyyppi		Li-Ion
Aktivointitila		Sequential
Magazine angle		Straight
Ei kuormitusnopeutta	/min	9000
Aja energiaa	approx	50J
Paino (paljas työkalu)	kg	2,43

Kiinnikkeet		
Pituus	mm	16 - 50
Shank diameter	mm	1,27
Angle		Straight

Tämä työkalu on paljas yksikkö, mutta sitä voidaan käyttää seuraavassa taulukossa olevien laturien kanssa.

Laturi		SFMCB10	SFMCB11	SFMCB12	SFMCB14
Tulojännite	V _{AC}	230	230	230	230
Ulostulojännite	V _{DC}	18	18	18	18
Nykyinen	A	1,25	1,25	2	4

Tämä työkalu on paljas yksikkö, mutta sitä voidaan käyttää seuraavassa taulukossa olevien akkujen kanssa.

Akku		SFMCB201	SFMCB202	SFMCB204	SFMCB206
Jännite	V _{DC}	18	18	18	18
Kapasiteetti	Ah	1,5	2,0	4,0	6,0
Type		Li-Ion	Li-Ion	Li-Ion	Li-Ion

Προβλεπόμενη χρήση

Το ασύρματο καρφωτικό STANLEY FATMAX SFMNC618 έχει σχεδιαστεί για κάρφωμα. Αυτή η συσκευή προορίζεται για επαγγελματίες και ιδιώτες, μη επαγγελματίες χρήστες.

Οδηγίες ασφαλείας**Γενικές προειδοποιήσεις για την ασφάλεια του ηλεκτρικού εργαλείου**

Προειδοποίηση! Διαβάστε όλες τις προειδοποιήσεις ασφαλείας, οδηγίες, εικονογραφίες και προδιαγραφές που παρέχονται με αυτό το ηλεκτρικό εργαλείο. Η μη τήρηση των προειδοποιήσεων και των οδηγιών που αναφέρονται παρακάτω μπορεί να οδηγήσει σε ηλεκτροπληξία, πυρκαγιά και/ή σοβαρό τραυματισμό.

Αποθηκεύστε όλες τις προειδοποιήσεις και τις οδηγίες για μελλοντική αναφορά

Ο όρος "ηλεκτρικό εργαλείο" σε όλες τις προειδοποιήσεις που αναφέρονται παρακάτω αναφέρεται στο ηλεκτρικό εργαλείο που λειτουργεί από το δίκτυο (με καλώδιο) ή στο ηλεκτρικό εργαλείο που λειτουργεί με μπαταρία (ασύρματο).

1. **Ασφάλεια χώρου εργασίας**
 - a. **Διατηρήστε τον χώρο εργασίας καθαρό και καλά φωτισμένο.** Ακατάστατες ή σκοτεινές περιοχές προκαλούν ατυχήματα.
 - b. **Μη χρησιμοποιείτε ηλεκτρικά εργαλεία σε εκρηκτικές ατμόσφαιρες, όπως παρουσία εύφλεκτων υγρών, αερίων ή σκόνης.** Τα ηλεκτρικά εργαλεία δημιουργούν σπινθήρες που μπορεί να αναφλέξουν τη σκόνη ή τις αναθυμιάσεις.
 - c. **Κρατήστε μακριά τα παιδιά και τους παρευρισκόμενους ενώ χειρίζεστε ένα ηλεκτρικό εργαλείο.** Οι περιστάσεις μπορεί να σας κάνουν να χάσετε τον έλεγχο.
2. **Ηλεκτρική ασφάλεια**
 - a. **Τα βύσματα του ηλεκτρικού εργαλείου πρέπει να ταιριάζουν με την πρίζα.**
Ποτέ μην τροποποιείτε το βύσμα με κανέναν τρόπο. Μη χρησιμοποιείτε βύσματα προσαρμογέα με γειωμένα (γειωμένα) ηλεκτρικά εργαλεία. Τα μη τροποποιημένα βύσματα και οι αντιστοιχίες πριζές θα μειώσουν τον κίνδυνο ηλεκτροπληξίας.
 - b. **Αποφύγετε την επαφή του σώματος με γειωμένες ή γειωμένες επιφάνειες όπως σωλήνες, καλοριφέρ, κουζίνες και ψυγεία.** Υπάρχει αυξημένος κίνδυνος ηλεκτροπληξίας εάν το σώμα σας είναι γειωμένο ή γειωμένο.
 - c. **Μην εκθέτετε τα ηλεκτρικά εργαλεία σε βροχή ή υγρές συνθήκες.** Η είσοδος νερού σε ένα ηλεκτρικό εργαλείο αυξάνει τον κίνδυνο ηλεκτροπληξίας.

Äänenpainetaso standardin EN60745 mukaan:
Äänenpaine (L_{pA}) 84 dB(A), epävarmuus (K) 3 dB(A)
Ääniteho (L_{WA}) 95 dB(A), epävarmuus (K) 3 dB(A)
Tärinän kokonaisarvot (triaksivektorisumma) standardin EN60745 mukaan:
Nidottu kynnät (a_{hV}) 2,8 m/s ² , epävarmuus (K) 1,8 m/s ²

EY-vaatimustenmukaisuusvakuutus

KONEEDIIREKTIIVI



SFMNC618 - Langaton naulauskone

STANLEY FATMAX vakuuttaa, että nämä alla kuvatut tuotteet 2006/42/EC; EN 60745-1:2009 + A11:2010; EN 60745-2-16:2010.

Nämä tuotteet ovat myös direktiivin mukaisia 2014/30/EU and 2011/65/EU. Lisätietoja saat ottamalla yhteyttä STANLEY FATMAXiin seuraavassa osoitteessa tai katso käsikirjan takaosasta.

Lisätietoja saat ottamalla yhteyttä STANLEY FATMAXiin seuraavassa osoitteessa tai katso käsikirjan takaosasta.

Allekirjoittanut on vastuussa teknisen asiakirjan laatimisesta ja antaa tämän lausuman puolesta
STANLEY FATMAX.

Patrick Diepenbach

Patrick Diepenbach
General Manager, Benelux
STANLEY FATMAX,
Egide Walschaertsstraat 14-18
2800 Mechelen, Belgia
30/05/2023

Guarantee**Takuu**

STANLEY FATMAX vakuuttanut tuotteidensa korkeasta laadusta ja tarjoaa kuluttajille 12 kuukauden takuun, joka astuu voimaan ostopäivänä. Takuu on voimassa Euroopan unionin ja Euroopan vapaakauppa-alueen jäsenvaltioiden sekä Yhdistyneen kuningaskunnan alueilla.

Edellytyksenä takuun saamiselle on, että vaade täyttää STANLEY FATMAXin ehdot ja että ostaja toimittaa ostotositteen jälleenmyyjälle tai valtuutetulle huoltoilikeelle. STANLEY FATMAXin yhden vuoden takuun ehdot ja lähimmän valtuutetun korjauspalvelun yhteystiedot ovat saatavilla osoitteessa www.2helpU.com tai ottamalla yhteyttä paikalliseen STANLEY FATMAXin toimipisteeseen tässä ohjekirjassa ilmoitettuun osoitteeseen.

Käy verkkosivuillemme osoitteessa www.stanley.eu/3 ja rekisteröi uusi STANLEY FATMAX tuotteesi saadaksesi tietoa uusista tuotteista ja erikoistarjouksista.

- d. Μην κάνετε κατάχρηση του καλωδίου. Μην χρησιμοποιείτε ποτέ το καλώδιο για τη μεταφορά, το τράβηγμα ή την αποσύνδεση του ηλεκτρικού εργαλείου. Κρατήστε το καλώδιο μακριά από θερμότητα, λάδι, αιχμηρές άκρες ή κινούμενα μέρη. Τα κατεστραμμένα ή μπερδεμένα καλώδια αυξάνουν τον κίνδυνο ηλεκτροπληξίας.
- e. Όταν χρησιμοποιείτε ένα ηλεκτρικό εργαλείο σε εξωτερικό χώρο, χρησιμοποιήστε ένα καλώδιο επέκτασης κατάλληλο για εξωτερική χρήση. Η χρήση καλωδίου κατάλληλου για εξωτερική χρήση μειώνει τον κίνδυνο ηλεκτροπληξίας.
- f. Εάν η λειτουργία ενός ηλεκτρικού εργαλείου σε υγρό μέρος είναι αναπόφευκτη, χρησιμοποιήστε μια προστατευμένη τροφοδοσία συσκευής υπολειπόμενου ρεύματος (RCD). Η χρήση RCD μειώνει τον κίνδυνο ηλεκτροπληξίας.
3. Προσωπική ασφάλεια
- a. Μείνετε σε εγρήγορση, παρακολουθήστε τι κάνετε και χρησιμοποιήστε την κοινή λογική όταν χειρίζεστε ένα ηλεκτρικό εργαλείο. Μην χρησιμοποιείτε ηλεκτρικό εργαλείο ενώ είστε κουρασμένοι ή υπό την επίρρινα ναρκωτικών, αλκοόλ ή φαρμάκων. Μια στιγμή απροσεξίας κατά τη λειτουργία των ηλεκτρικών εργαλείων μπορεί να οδηγήσει σε σοβαρό προσωπικό τραυματισμό.
- b. Χρησιμοποιήστε ατομικό προστατευτικό εξοπλισμό. Να φοράτε πάντα προστατευτικό για τα μάτια. Ο προστατευτικός εξοπλισμός όπως η μάσκα για τη σκόνη, τα αντιολισθητικά παπούτσια ασφαλείας, το σκληρό καπέλο ή η προστασία ακοής που χρησιμοποιείται για τις κατάλληλες συνθήκες θα μειώσει τους σωματικούς τραυματισμούς.
- c. Αποτρέψτε την ακούσια εκκίνηση. Βεβαιωθείτε ότι ο διακόπτης είναι στη θέση off πριν συνδέσετε την πηγή τροφοδοσίας ή/και την μπαταρία, υποδοί σκώσετε ή μεταφέρετε το εργαλείο. Η μεταφορά ηλεκτρικών εργαλείων με το δάχτυλό σας στον διακόπτη ή η ενεργοποίηση ηλεκτρικών εργαλείων που έχουν ενεργοποιημένο τον διακόπτη προκαλεί ατυχήματα.
- d. Αφαιρέστε οποιοδήποτε κλειδί ρύθμισης ή κλειδί πριν ενεργοποιήσετε το ηλεκτρικό εργαλείο. Ένα κλειδί ή ένα κλειδί που έχει μείνει συνδεδεμένο σε ένα περιστρεφόμενο μέρος του ηλεκτρικού εργαλείου μπορεί να προκαλέσει τραυματισμό.
- e. Μην υπερβείτε. Διατηρήστε τη σωστή βάση και την ισορροπία ανά πάσα στιγμή. Αυτό επιτρέπει καλύτερο έλεγχο του ηλεκτρικού εργαλείου σε απροσδόκητες καταστάσεις.
- f. Ντυθείτε σωστά. Μην φοράτε φαρδιά ρούχα ή κοσμήματα. Κρατήστε τα μαλλιά, τα ρούχα και τα γάντια σας μακριά από κινούμενα μέρη. Φαρδιά ρούχα, κοσμήματα ή μακριά μαλλιά μπορούν να πιαστούν σε κινούμενα μέρη.
- g. Εάν παρέχονται συσκευές για τη σύνδεση εγκαταστάσεων εξαγωγής και συλλογής σκόνης, βεβαιωθείτε ότι είναι συνδεδεμένες και χρησιμοποιούνται σωστά. Η χρήση της συλλογής σκόνης μπορεί να μειώσει τους κινδύνους που σχετίζονται με τη σκόνη.
- h. Μην αφήνετε την εξοικείωση που αποκτάται από την συχνή χρήση του. Τα εργαλεία σας επιτρέπουν να εφησυχάζεστε και να αγνοείτε αρχές ασφαλείας εργαλείων. Μια απρόσεκτη ενέργεια μπορεί να προκαλέσει σοβαρό τραυματισμό μέσα σε κλάσματα δευτερολέπτου.
4. Χρήση και φροντίδα ηλεκτρικού εργαλείου
- a. Μην πιέζετε το ηλεκτρικό εργαλείο. Χρησιμοποιήστε το σωστό ηλεκτρικό εργαλείο για την εφαρμογή σας. Το σωστό ηλεκτρικό εργαλείο θα κάνει τη δουλειά καλύτερα και ασφαλέστερα με τον ρυθμό για τον οποίο σχεδιάστηκε.
- b. Μην χρησιμοποιείτε το ηλεκτρικό εργαλείο εάν ο διακόπτης δεν το ανάβει και δεν το απενεργοποιεί. Οποιοδήποτε ηλεκτρικό εργαλείο δεν μπορεί να ελεγχθεί με το διακόπτη είναι επικίνδυνο και πρέπει να επισκευαστεί.
- c. Αποσυνδέστε το φως από την πηγή τροφοδοσίας και/ή την μπαταρία από το ηλεκτρικό εργαλείο πριν κάνετε οποιοσδήποτε ρυθμίσεις, αλλάξετε αξεσουάρ ή αποθηκεύσετε ηλεκτρικό εργαλείο. Τέτοια προληπτικά μέτρα ασφαλείας μειώνουν τον κίνδυνο τυχαίας εκκίνησης του ηλεκτρικού εργαλείου.
- d. Αποθηκεύστε τα ηλεκτρικά εργαλεία σε αδράνεια μακριά από παιδιά και μην επιτρέψετε σε άτομα που δεν είναι εξοικειωμένα με το ηλεκτρικό εργαλείο ή αυτές τις οδηγίες να χειρίζονται το ηλεκτρικό εργαλείο. Τα ηλεκτρικά εργαλεία είναι επικίνδυνα στα χέρια μη εκπαιδευμένων χρηστών.
- e. Συντήρηση ηλεκτρικών εργαλείων και αξεσουάρ. Ελέγξτε για κακή ευθυγράμμιση ή πρόσδεση κινητών μερών, θραύση εξαρτημάτων και οποιαδήποτε άλλη κατάσταση που μπορεί να επηρεάσει τη λειτουργία των ηλεκτρικών εργαλείων. Εάν έχει υποστεί ζημιά, επισκευάστε το ηλεκτρικό εργαλείο πριν από τη χρήση. Πολλά ατυχήματα προκαλούνται από κακοσυντηρημένα ηλεκτρικά εργαλεία.
- f. Διατηρείτε τα εργαλεία κοπής αιχμηρά και καθαρά. Τα σωστά συντηρημένα εργαλεία κοπής με αιχμηρές ακμές κοπής είναι λιγότερο πιθανό να δέσουν και είναι πιο εύκολο να ελεγχθούν.
- g. Χρησιμοποιήστε το ηλεκτρικό εργαλείο, τα εξαρτήματα και τις μύτες εργαλείων κ.λπ. σύμφωνα με αυτές τις οδηγίες, λαμβάνοντας υπόψη τις συνθήκες εργασίας και την εργασία που πρέπει να εκτελεστεί. Η χρήση του ηλεκτρικού εργαλείου για λειτουργίες διαφορετικές από αυτές που προορίζονται μπορεί να

οδηγήσει σε επικίνδυνη κατάσταση.

- h. **Διατηρείτε τις λαβές και τις επιφάνειες λαβής στεγνές, καθαρές και χωρίς λάδια και λίπη.** Οι ολισθηρές λαβές και οι επιφάνειες λαβής δεν επιτρέπουν τον ασφαλή χειρισμό και τον έλεγχο του εργαλείου σε απροσδόκητες καταστάσεις.
5. **Χρήση και φροντίδα εργαλείου μπαταρίας**
 - a. **Επαναφορτίστε μόνο με τον φορτιστή που καθορίζεται από τον κατασκευαστή.** Ένας φορτιστής που είναι κατάλληλος για έναν τύπο μπαταρίας μπορεί να δημιουργήσει κίνδυνο πυρκαγιάς όταν χρησιμοποιείται με άλλη μπαταρία.
 - b. **Χρησιμοποιείτε ηλεκτρικά εργαλεία μόνο με ειδικά καθορισμένα πακέτα μπαταριών.** Η χρήση οποιασδήποτε άλλης μπαταρίας μπορεί να δημιουργήσει κίνδυνο τραυματισμού και πυρκαγιάς.
 - c. **Όταν η μπαταρία δεν χρησιμοποιείται, κρατήστε την μακριά από άλλα μεταλλικά αντικείμενα, όπως συνδετήρες, κέρματα, κλειδιά, καρφιά, βίδες ή άλλα μικρά μεταλλικά αντικείμενα, που μπορούν να κάνουν σύνδεση από τον έναν ακροδέκτη στον άλλο.** Το βραχυκύκλωμα μεταξύ των ακροδεκτών της μπαταρίας μπορεί να προκαλέσει εγκαύματα ή πυρκαγιά.
 - d. **Κάτω από καταχρηστικές συνθήκες, μπορεί να εκτοξευθεί υγρό από την μπαταρία.** Αποφύγετε την επαφή. Εάν συμβεί κατά λάθος επαφή, ξεπλύνετε με νερό. Εάν το υγρό έρθει σε επαφή με τα μάτια, ζητήστε επιπλέον ιατρική βοήθεια. Το υγρό που εκτοξεύεται από την μπαταρία μπορεί να προκαλέσει ερεθισμό ή εγκαύματα.
 - e. **Μη χρησιμοποιείτε μπαταρία ή εργαλείο που είναι κατεστραμμένο ή τροποποιημένο.** Οι κατεστραμμένες ή τροποποιημένες μπαταρίες ενδέχεται να παρουσιάζουν απρόβλεπτη συμπεριφορά με αποτέλεσμα πυρκαγιά, έκρηξη ή κίνδυνο τραυματισμού.
 - f. **Μην εκθέτετε μια μπαταρία ή ένα εργαλείο σε φωτιά ή υπερβολική θερμοκρασία.** Η έκθεση στη φωτιά ή σε θερμοκρασία άνω των 130 °C μπορεί να προκαλέσει έκρηξη.
 - g. **Ακολουθήστε όλες τις οδηγίες φόρτισης και μην φορτίζετε τη μπαταρία ή το εργαλείο εκτός του εύρους θερμοκρασίας που καθορίζεται στις οδηγίες.** Η ακατάλληλη φόρτιση ή σε θερμοκρασίες εκτός του καθορισμένου εύρους μπορεί να καταστρέψει την μπαταρία και να αυξήσει τον κίνδυνο πυρκαγιάς.
6. **Υπηρεσία**
 - a. **Αναθέστε το σέρβις του ηλεκτρικού σας εργαλείου σε εξειδικευμένο επισκευαστή χρησιμοποιώντας μόνο πανομοιότυπα ανταλλακτικά.** Αυτό θα εξασφαλίσει τη διατήρηση της ασφάλειας του ηλεκτρικού εργαλείου.
 - b. **Ποτέ μην επισκευάζετε κατεστραμμένα πακέτα**

ΜΠΑΤΑΡΙΩΝ. Το σέρβις των πακέτων BATTERY θα πρέπει να εκτελείται μόνο από τον κατασκευαστή ή τους εξουσιοδοτημένους παρόχους σέρβις.

Πρόσθετες προειδοποιήσεις για την ασφάλεια του ηλεκτρικού εργαλείου

- ◆ **Χρησιμοποιήστε βοηθητικές λαβές που παρέχονται με το εργαλείο.** Η απώλεια ελέγχου μπορεί να προκαλέσει προσωπικό τραυματισμό.
- ◆ **Κρατήστε το ηλεκτρικό εργαλείο από μονωμένες επιφάνειες λαβής όταν εκτελείτε μια εργασία όπου το κοπτικό εξάρτημα μπορεί να έρθει σε επαφή με κρυφή καλωδίωση.** Το κοπτικό εξάρτημα που έρχεται σε επαφή με ένα "ζωντανό" καλώδιο μπορεί να κάνει τα εκτεθειμένα μεταλλικά μέρη του ηλεκτρικού εργαλείου "ζωντανά" και θα μπορούσε να προκαλέσει ηλεκτροπληξία στον χειριστή.
- ◆ **Κρατήστε το ηλεκτρικό εργαλείο από μονωμένες επιφάνειες λαβής, όταν εκτελείτε μια λειτουργία όπου ο συνδετήρας μπορεί να έρθει σε επαφή με κρυφή καλωδίωση.** Οι συνδετήρες που έρχονται σε επαφή με ένα "ζωντανό" καλώδιο μπορεί να κάνουν τα εκτεθειμένα μεταλλικά μέρη του ηλεκτρικού εργαλείου "ζωντανά" και θα μπορούσαν να προκαλέσουν ηλεκτροπληξία στον χειριστή.
- ◆ **Χρησιμοποιήστε σφιγκτήρες ή άλλο πρακτικό τρόπο για να στερεώσετε και να στηρίξετε το τεμάχιο εργασίας σε μια σταθερή πλατφόρμα.** Το να κρατάτε την εργασία με το χέρι ή ενάντια στο σώμα σας την αφήνει ασταθή και μπορεί να οδηγήσει σε απώλεια ελέγχου.
- ◆ **Πριν τρυπήσετε σε τοίχους, δάπεδα ή οροφές, ελέγξτε τη θέση των καλωδίων και των σωλήνων.**
- ◆ **Αποφύγετε να αγγίζετε την άκρη ενός τρυπανιού αμέσως μετά το τρύπημα, καθώς μπορεί να είναι ζεστό.**
- ◆ **Η προβλεπόμενη χρήση περιγράφεται σε αυτό το εγχειρίδιο οδηγιών.** Η χρήση οποιουδήποτε αξεσουάρ ή προσαρτήματος ή η εκτέλεση οποιασδήποτε λειτουργίας με αυτό το εργαλείο, εκτός από αυτές που συζητούνται σε αυτό το εγχειρίδιο οδηγιών, ενδέχεται να ενυψώσει κίνδυνο τραυματισμού ή/και υλικών ζημιών.

Ασφάλεια άλλων

- ◆ **Μην αφήνετε ποτέ παιδιά, άτομα με μειωμένες σωματικές, αισθητηριακές ή νοητικές ικανότητες ή έλλειψη εμπειρίας και γνώσης ή άτομα που δεν είναι εξοικειωμένα με αυτές τις οδηγίες να χρησιμοποιούν το μηχάνημα,**
- ◆ **Οι τοπικοί κανονισμοί ενδέχεται να περιορίσουν την ηλικία του χειριστή.**
- ◆ **Μην λειτουργείτε ποτέ το μηχάνημα ενώ άνθρωποι, ειδικά παιδιά, ή κατοικίδια είναι κοντά.**

Πρόσθετες οδηγίες ασφαλείας για καρφωτικά με μπαταρία

- ◆ Να φοράτε πάντα γυαλιά ασφαλείας.
- ◆ Να φοράτε πάντα προστατευτικά αυτιά.
- ◆ Χρησιμοποιείτε μόνο συνδετήρες του τύπου που καθορίζεται στο εγχειρίδιο.
- ◆ Μην χρησιμοποιείτε καμία βάση για την τοποθέτηση του εργαλείου στο α υποστήριξη.
- ◆ Μην αποσυναρμολογείτε και μην μπλοκάρετε κανένα μέρος του εργαλείου κίνησης του συνδετήρα, όπως η διαδρομή επαφής.
- ◆ Πριν από κάθε λειτουργία ελέγχετε ότι η ασφάλεια και ο μηχανισμός σκανδάλης λειτουργεί σωστά και ότι όλα τα φαξιμάδια και τα μπουλόνια είναι σφιχτά.
- ◆ Μην χρησιμοποιείτε το εργαλείο ως σφυρί.
- ◆ Μην χρησιμοποιείτε το εργαλείο σε σκάλα.
- ◆ Ποτέ μην στρέφετε κανένα εργαλείο οδήγησης στερέωσης σε εσάς ή σε οποιοδήποτε άλλο άτομο.
- ◆ Κατά την εργασία, κρατήστε το εργαλείο με τέτοιο τρόπο ώστε να μην προκληθούν τραυματισμοί στο κεφάλι ή στο σώμα σε περίπτωση πιθανής ανάκρουσης λόγω διακοπής της παροχής ενέργειας ή σκληρών περιοχών μέσα στο τεμάχιο εργασίας.
- ◆ Μην ενεργοποιείτε ποτέ το εργαλείο οδήγησης του συνδετήρα σε ελεύθερο χώρο.
- ◆ Στο χώρο εργασίας, μεταφέρετε το εργαλείο στο χώρο εργασίας χρησιμοποιώντας μόνο μία λαβή και ποτέ με ενεργοποιημένη τη σκανδάλη.
- ◆ Λάβετε υπόψη τις συνθήκες στην περιοχή εργασίας. Οι συνδετήρες μπορούν να διεισδύσουν σε λεπτά τεμάχια εργασίας ή να γλιστρήσουν από τις γωνίες και τις άκρες του τεμαχίου εργασίας, με αποτέλεσμα να θέσουν σε κίνδυνο τους ανθρώπους.
- ◆ Μην οδηγείτε τους συνδετήρες κοντά στην άκρη του τεμαχίου εργασίας.
- ◆ Μην οδηγείτε τους συνδετήρες πάνω από άλλους συνδετήρες.
- ◆ Πάντα να θεωρείτε ότι το εργαλείο περιέχει συνδετήρες. Ο απρόσεκτος χειρισμός του καρφωτού μπορεί να οδηγήσει σε απροσδόκητο πυροδότηση των συνδετήρων και τραυματισμό.
- ◆ Μην στρέφετε το εργαλείο προς τον εαυτό σας ή προς κάποιον που βρίσκεται κοντά σας. Η απροσδόκητη ενεργοποίηση θα αποφορτίσει τον συνδετήρα προκαλώντας τραυματισμό.
- ◆ Μην ενεργοποιείτε το εργαλείο εάν δεν είναι τοποθετημένο σταθερά πάνω στο τεμάχιο εργασίας. Εάν το εργαλείο δεν είναι σε επαφή, ο συνδετήρας μπορεί να εκτραπεί μακριά από τον στόχο σας.
- ◆ Αποσυνδέστε το εργαλείο από την πηγή ρεύματος όταν ο συνδετήρας μπλοκάρει στο εργαλείο. Κατά την αφαίρεση ενός μπλοκαρισμένου συνδετήρα, το

καρφωτικό μπορεί να ενεργοποιηθεί κατά λάθος εάν είναι συνδεδεμένο.

- ◆ **Μην χρησιμοποιείτε αυτό το εργαλείο για τη στερέωση ηλεκτρικών καλωδίων.** Δεν έχει σχεδιαστεί για εγκατάσταση ηλεκτρικών καλωδίων και μπορεί να καταστρέψει τη μόνωση των ηλεκτρικών καλωδίων προκαλώντας έτσι ηλεκτροπληξία ή κίνδυνο πυρκαγιάς.

Υπολειπόμενοι κίνδυνοι

Ενδέχεται να προκύψουν πρόσθετοι υπολειπόμενοι κίνδυνοι κατά τη χρήση του εργαλείου, οι οποίοι ενδέχεται να μην περιλαμβάνονται στις συνημμένες προειδοποιήσεις ασφαλείας. Αυτοί οι κίνδυνοι μπορεί να προκύψουν από κακή χρήση, παρατεταμένη χρήση κ.λπ.

Ακόμη και με την εφαρμογή των σχετικών κανονισμών ασφαλείας και την εφαρμογή διατάξεων ασφαλείας, ορισμένοι υπολειπόμενοι κίνδυνοι δεν μπορούν να αποφευχθούν.

Αυτά περιλαμβάνουν:

- ◆ Τραυματισμοί που προκαλούνται από το άγγιγμα οποιωνδήποτε περιστρεφόμενων/κινούμενων μερών.
- ◆ Τραυματισμοί που προκαλούνται κατά την αλλαγή εξαρτημάτων, λειπίδων ή αξεσουάρ.
- ◆ Τραυματισμοί που προκαλούνται από παρατεταμένη χρήση ενός εργαλείου. Όταν χρησιμοποιείτε οποιοδήποτε εργαλείο για παρατεταμένες περιόδους, φροντίστε να κάνετε τακτικά διαλείμματα.
- ◆ Βλάβη της ακοής.
- ◆ Κίνδυνοι για την υγεία που προκαλούνται από την αναπνοή σκόνης που αναπτύχθηκε κατά τη χρήση του εργαλείου σας (παράδειγμα: - εργασία με ξύλο, ιδιαίτερα δρυς, οξιά και MDF.)

Θόρυβος και κραδασμοί

Οι δηλωμένες τιμές εκπομπής θορύβου και κραδασμών που αναφέρονται στα τεχνικά δεδομένα και στη δήλωση συμμόρφωσης έχουν μετρηθεί σύμφωνα με μια τυπική μέθοδο δοκιμής που παρέχεται από το EN60745 και μπορούν να χρησιμοποιηθούν για τη σύγκριση ενός εργαλείου με άλλο. Η δηλωμένη τιμή εκπομπής θορύβου και κραδασμών μπορεί επίσης να χρησιμοποιηθεί σε μια προκαταρκτική αξιολόγηση της έκθεσης.

Προειδοποίηση! Η τιμή εκπομπής θορύβου και κραδασμών κατά την πραγματική χρήση του ηλεκτρικού εργαλείου μπορεί να διαφέρει από τη δηλωμένη τιμή ανάλογα με τους τρόπους με τους οποίους χρησιμοποιείται το εργαλείο. Το επίπεδο θορύβου και κραδασμών μπορεί να αυξηθεί πάνω από το επίπεδο που αναφέρεται.

Κατά την αξιολόγηση της έκθεσης σε θόρυβο και κραδασμούς για τον καθορισμό των μέτρων ασφαλείας που απαιτούνται από το 2002/44/EK για την προστασία ατόμων που χρησιμοποιούν τακτικά ηλεκτρικά εργαλεία στην εργασία, θα πρέπει να λαμβάνεται υπόψη η εκτίμηση της έκθεσης σε

θόρυβο και κραδασμούς, οι πραγματικές συνθήκες χρήσης και ο τρόπος χρήσης του εργαλείου. συμπεριλαμβανομένου του συνυπολογισμού όλων των τμημάτων του κύκλου λειτουργίας, όπως οι χρόνοι που το εργαλείο είναι απενεργοποιημένο και όταν λειτουργεί σε αδράνεια, επιπλέον του χρόνου ενεργοποίησης.

Ετικέτες στο εργαλείο

Τα ακόλουθα σύμβολα εμφανίζονται στο εργαλείο μαζί με τον κωδικό ημερομηνίας:



Προειδοποίηση! Για να μειώσετε τον κίνδυνο τραυματισμού, ο χρήστης πρέπει να διαβάσει το εγχειρίδιο οδηγιών.



Προειδοποίηση! Για να μειωθεί ο κίνδυνος τραυματισμού, ο χρήστης πρέπει να φοράει προστατευτικά αυτιών και ματιών.



Προσοχή: Μην κοιτάτε επίμονα τη λάμπα λειτουργίας.



Για να φωτίσετε την άμεση επιφάνεια εργασίας καθώς και μια ένδειξη χαμηλής μπαταρίας και μια ένδειξη μπλοκαρισμένου καρφιού.



Κρατήστε τα χέρια και τα μέρη του σώματος καθαρά άμεσα χώρο εργασίας.

Πρόσθετες οδηγίες ασφαλείας για μπαταρίες και φορτιστές

Μπαταρίες

- ◆ Μην επιχειρήσετε ποτέ να ανοίξετε για κανένα λόγο.
- ◆ Μην εκθέτετε την μπαταρία σε νερό.
- ◆ Μην αποθηκεύετε σε μέρη όπου η θερμοκρασία μπορεί να υπερβαίνει τους 40 °C.
- ◆ Φόρτιση μόνο σε θερμοκρασίες περιβάλλοντος μεταξύ 10 °C και 40 °C.
- ◆ Κατά την απόρριψη των μπαταριών, ακολουθήστε τις οδηγίες που δίνονται στην ενότητα "Προστασία του περιβάλλοντος".
- ◆ Μην καταστρέψετε/παραμορφώνετε το πακέτο μπαταριών είτε με τρύπημα είτε με κρούση, καθώς αυτό μπορεί να δημιουργήσει κίνδυνο τραυματισμού και πυρκαγιάς.
- ◆ Μην φορτίζετε κατεστραμμένες μπαταρίες.
- ◆ Κάτω από ακραίες συνθήκες, ενδέχεται να προκληθεί διαρροή μπαταρίας. Όταν παρατηρήσετε υγρό στις μπαταρίες, σκουπίστε προσεκτικά το υγρό χρησιμοποιώντας ένα πανί. Αποφύγετε την επαφή με το δέρμα.

- ◆ Σε περίπτωση επαφής με το δέρμα ή τα μάτια, ακολουθήστε τις παρακάτω οδηγίες.

Προειδοποίηση! Το υγρό της μπαταρίας μπορεί να προκαλέσει προσωπικό τραυματισμό ή ζημιά στην ιδιοκτησία. Σε περίπτωση επαφής με το δέρμα, ξεπλύνετε αμέσως με νερό. Εάν εμφανιστεί ερυθρότητα, πόνος ή ερεθισμός, αναζητήστε ιατρική βοήθεια. Σε περίπτωση επαφής με τα μάτια, ξεπλύνετε αμέσως με καθαρό νερό και αναζητήστε ιατρική βοήθεια.



Μην επιχειρήσετε να φορτίσετε κατεστραμμένες μπαταρίες

Εκρηκτικά

- ◆ Χρησιμοποιήστε τον φορτιστή STANLEY FATMAX μόνο για τη φόρτιση του μπαταρία στο εργαλείο με το οποίο τροφοδοτήθηκε. Άλλα οι μπαταρίες μπορεί να σκάσουν, προκαλώντας τραυματισμό και ζημιά.
- ◆ Μην επιχειρήσετε ποτέ να φορτίσετε μη επαναφορτιζόμενες μπαταρίες.
- ◆ Αντικαταστήστε αμέσως τα ελαττωματικά καλώδια.
- ◆ Μην εκθέτετε το φορτιστή σε νερό.
- ◆ Μην ανοίγετε το φορτιστή.
- ◆ Μην εξετάζετε το φορτιστή.

Σύμβολα στο φορτιστή



Ο φορτιστής προορίζεται μόνο για χρήση σε εσωτερικούς χώρους.



Διαβάστε το εγχειρίδιο οδηγιών πριν από τη χρήση.

Ηλεκτρική ασφάλεια



Ο προσαρμογέας σας είναι διπλής μόνωσης. επομένως δεν απαιτείται καλώδιο γείωσης. Ελέγχετε πάντα ότι η τάση δικτύου αντιστοιχεί στην τάση στην πινακίδα τεχνικών χαρακτηριστικών. Μην επιχειρήσετε ποτέ να αντικαταστήσετε τη μονάδα προσαρμογέα με ένα κανονικό βύσμα ρεύματος.

Δυνατότητες

Αυτή η συσκευή περιλαμβάνει μερικά ή όλα τα παρακάτω χαρακτηριστικά.

1. Διακόπτης σκανδάλης
2. Ενεργοποιήστε τον διακόπτη Lock-Off
3. Τροχός ρύθμισης βάθους
4. Ένδειξη ρύθμισης βάθους
5. Προβολείς εργασίας/χαμηλή μπαταρία/εμπλοκή/Ένδειξη ακινητοποίησης
6. Μοχλός απελευθέρωσης στάβλου
7. Μάνταλο καθαρισμού εμπλοκής
8. Ταξίδι επαφής

9. Περιοδικό
10. Μάνταλο ώθησης
11. Θέση προσαρτήσης αξεσουάρ
12. Μπαταρία

Χρήση

Προειδοποίηση! Αφήστε το εργαλείο να λειτουργήσει με τον δικό του ρυθμό.

Μην υπερφορτώνετε.

Φόρτιση της μπαταρίας (Εικ.Α)

Η μπαταρία πρέπει να φορτιστεί πριν από την πρώτη χρήση και όποτε δεν παράγει επαρκή ισχύ σε εργασίες που έγιναν εύκολα πριν.

Η μπαταρία μπορεί να ζεσταθεί κατά τη φόρτιση.αυτό είναι φυσιολογικό και δεν υποδηλώνει πρόβλημα.

Προειδοποίηση! Μη φορτίζετε την μπαταρία σε θερμοκρασίες περιβάλλοντος κάτω από 10 °C ή πάνω από 40

°C.Συνιστώμενη θερμοκρασία φόρτισης: περίπου.24 °C.





Σημείωση: Ο φορτιστής δεν θα φορτίσει μια μπαταρία εάν η θερμοκρασία του στοιχείου είναι κάτω από περίπου 10 °C ή πάνω από 40 °C.



Η μπαταρία πρέπει να μείνει στο φορτιστή και ο φορτιστής θα αρχίσει να φορτίζεται αυτόματα όταν η θερμοκρασία του στοιχείου ζεσταθεί ή κρυώσει.

Σημείωση: Για να διασφαλίσετε τη μέγιστη απόδοση και διάρκεια ζωής των μπαταριών ιόντων λιθίου, φορτίστε πλήρως τη μπαταρία πριν από την πρώτη χρήση.

- ◆ Συνδέστε το φορτιστή (13) σε μια κατάλληλη πρίζα πριν τοποθετήσετε τη μπαταρία (12).
- ◆ Η πράσινη λυχνία φόρτισης (13a) θα αναβοσβήνει συνεχώς υποδεικνύοντας ότι η διαδικασία φόρτισης έχει ξεκινήσει.
- ◆ Η ολοκλήρωση της φόρτισης θα υποδεικνύεται από την πράσινη λυχνία φόρτισης (13a) που παραμένει συνεχώς αναμμένη.Η μπαταρία (12) είναι πλήρως φορτισμένη και μπορεί να αφαιρεθεί και να χρησιμοποιηθεί αυτή τη στιγμή ή να μείνει στο φορτιστή (13).
- ◆ Φορτίστε τις αποφορτισμένες μπαταρίες εντός 1 εβδομάδας.Η διάρκεια ζωής της μπαταρίας θα μειωθεί σημαντικά εάν αποθηκεύεται σε αποφορτισμένη κατάσταση.

Λειτουργίες LED φορτιστή

	Φόρτιση: Πράσινο LED Διακοπτόμενο	
	Πλήρως φορτισμένο: Πράσινο LED Συμπαγές	

	Καθυστέρηση συσκευασίας ζεστού/κρύου: Πράσινο LED Διακοπτόμενο Κόκκινο LED Συμπαγές	
---	--	--

Σημείωση: Ο(οι) συμβατός(οι) φορτιστής(οι) δεν θα φορτίσει μια ελαττωματική μπαταρία.Ο φορτιστής θα υποδείξει μια ελαττωματική μπαταρία αρνούμενος να ανάψει.

Σημείωση: Αυτό μπορεί επίσης να σημαίνει πρόβλημα με φορτιστή.Εάν ο φορτιστής υποδείξει πρόβλημα, πάρτε τον φορτιστή και τη μπαταρία για δοκιμή σε εξουσιοδοτημένο κέντρο σέρβις.

Αφήνοντας την μπαταρία στο φορτιστή

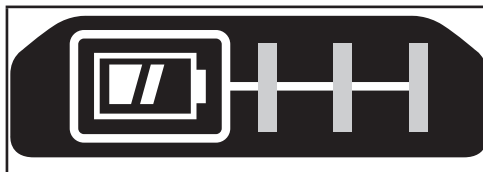
Ο φορτιστής και η μπαταρία μπορούν να παραμείνουν συνδεδεμένα με το LED να ανάβει επ' αόριστον.Ο φορτιστής θα διατηρήσει τη μπαταρία φρέσκια και πλήρως φορτισμένη.

Καθυστέρηση συσκευασίας ζεστού/κρύου

Όταν ο φορτιστής εντοπίσει μια μπαταρία που είναι πολύ ζεστή ή πολύ κρύα, ξεκινά αυτόματα μια Καθυστέρηση Hot/Cold Pack, το πράσινο LED (13a) θα αναβοσβήνει κατά διαστήματα, ενώ το κόκκινο LED (13b) θα παραμείνει συνεχώς αναμμένο, αναστέλλοντας τη φόρτιση μέχρι η μπαταρία έχει φτάσει σε κατάλληλη θερμοκρασία.Ο φορτιστής τότε μεταβαίνει αυτόματα στη λειτουργία φόρτισης πακέτου.Αυτή η λειτουργία εξασφαλίζει μέγιστη διάρκεια ζωής της μπαταρίας.

Ένδειξη κατάστασης φόρτισης μπαταρίας (Εικ.Β)

Η μπαταρία περιλαμβάνει μια ένδειξη κατάστασης φόρτισης για να προσδιορίσετε γρήγορα την έκταση της διάρκειας ζωής της μπαταρίας όπως φαίνεται στο σχήμα Β.Πατώντας το κουμπί κατάστασης φόρτισης (12a) μπορείτε εύκολα να δείτε τη φόρτιση που απομένει στην μπαταρία όπως φαίνεται στην εικόνα Β.



Εγκατάσταση και αφαίρεση της μπαταρίας από το εργαλείο

Προειδοποίηση! Βεβαιωθείτε ότι το κουμπί κλειδώματος είναι ενεργοποιημένο για να αποτρέψετε την ενεργοποίηση του διακόπτη πριν αφαιρέσετε ή τοποθετήσετε την μπαταρία.

Για να εγκαταστήσετε το πακέτο μπαταριών (Εικ.Γ)

- ◆ Τοποθετήστε σταθερά την μπαταρία στο εργαλείο μέχρι να ακουστεί ένα ηχητικό κλικ όπως φαίνεται στην εικόνα

Γ.Βεβαιωθείτε ότι η μπαταρία έχει τοποθετηθεί πλήρως και έχει ασφαλίσει πλήρως στη θέση της.

Για να αφαιρέσετε το πακέτο μπαταριών (Εικ.Δ)

- ♦ Πατήστε το κουμπί απελευθέρωσης της μπαταρίας (12b) όπως φαίνεται στην εικόνα D και τραβήξτε την μπαταρία από το εργαλείο.

Κρεμάστε γάντζο (Εικ.Ε, F)

Προειδοποίηση! Αφαιρέστε τα νύχια από το περιοδικό πριν φτιάξετε κάποιο ρυθμίσεις ή σέρβις αυτού του εργαλείου. Εάν δεν το κάνετε αυτό, μπορεί να προκύψει σε σοβαρό τραυματισμό.

Προειδοποίηση! Για να μειώσετε τον κίνδυνο σοβαρού προσωπικού τραυματισμού, τοποθετήστε το κουμπί εμπρός/πίσω στη θέση κλειδώματος ή απενεργοποιήστε το εργαλείο και αποσυνδέστε το πακέτο μπαταριών πριν το φτιάξετε τυχόν προσαρμογές ή αφαίρεση/εγκατάσταση εξαρτημάτων ή αξεσουάρ. Μια τυχαία εκκίνηση μπορεί να προκαλέσει τραυματισμό.

Προειδοποίηση! Για να μειώσετε τον κίνδυνο σοβαρού προσωπικού τραυματισμού, βεβαιωθείτε η βίδα (15) που συγκρατεί το άγκιστρο ανάρτησης είναι ασφαλισμένη.

Προσοχή: Όταν δεν το χρησιμοποιείτε, τοποθετήστε το εργαλείο στο πλάι πάνω σε στάβλο επιφάνεια όπου δεν θα υπάρχει κίνδυνος σκοντάφοντας ή πτώσης.

Ορισμένα εργαλεία με μεγάλες μπαταρίες θα στέκονται όρθια πάνω στο μπαταρία αλλά μπορεί να ανατραπεί εύκολα.

Σημείωση: Όταν συνδέετε ή αντικαθιστάτε το άγκιστρο ανάρτησης (14) χρησιμοποιήστε μόνο τη βίδα (15) που παρέχεται. Φροντίστε να το κάνετε με ασφάλεια σφίξτε τη βίδα. Εάν το άγκιστρο δεν είναι καθόλου επιθυμητό, μπορεί να αφαιρεθεί το εργαλείο. Για να μετακινήσετε το άγκιστρο ανάρτησης, αφαιρέστε τη βίδα (15) που συγκρατεί το κρεμάστε το άγκιστρο (14) στη θέση του.

Σημείωση: Διατίθενται διάφοροι γάντζοι τοίχου και διαμορφώσεις αποθήκευσης.

Επισκεφθείτε τον ιστότοπό μας www.stanley.eu/3 για περισσότερες πληροφορίες.

Λειτουργίας

Προειδοποίηση! Διαβάστε την ενότητα με τίτλο

Προειδοποιήσεις για την ασφάλεια των καρφωτικών στην αρχή αυτού του εγχειριδίου. Να φοράτε πάντα μάτια και αυτιά προστασία κατά τη λειτουργία αυτού του εργαλείου.

Κρατήστε το καρφωτικό στραμμένο μακριά από τον εαυτό σας και τους άλλους. Για ασφαλή λειτουργία, ολοκληρώστε τις ακόλουθες διαδικασίες και ελέγχους πριν από κάθε χρήση του καρφωτικού.

Προειδοποίηση! Για να μειώσετε τον κίνδυνο τραυματισμού, αποσυνδέστε το πακέτο μπαταριών από το εργαλείο

και ενεργοποιήστε το κλειδίωμα της σκανδάλης πριν πραγματοποιήσετε συντήρηση, καθαρίζοντας τα καρφία που έχουν μπλοκαριστεί, εγκαταλείψετε την περιοχή εργασίας, μετακινήστε το εργαλείο σε άλλη θέση ή παραδώστε το εργαλείο σε άλλο άτομο.

Προειδοποίηση! Κρατήστε τα δάχτυλα ΜΑΚΡΙΑ από τη σκανδάλη όταν δεν οδηγείτε συνδεδήρες για να αποφύγετε τυχαία πυροδότηση. Μην μεταφέρετε ποτέ το εργαλείο με το δάχτυλο στη σκανδάλη.

- ♦ Φοράτε κατάλληλη προστασία για τα μάτια, την ακοή και την αναπνοή.
- ♦ Αφαιρέστε τη μπαταρία από το εργαλείο και ενεργοποιήστε το κλειδίωμα της σκανδάλης.
- ♦ Κλειδώστε το ωστήριο στην πίσω θέση και αφαιρέστε όλες τις λωρίδες των νυχιών από το γεμιστήρα.
- ♦ Ελέγξτε για ομαλή και σωστή λειτουργία των συγκροτημάτων διακοπής επαφής και ώθησης. Μην χρησιμοποιείτε το εργαλείο εάν κάποιο συγκρότημα δεν λειτουργεί σωστά.
- ♦ Μην χρησιμοποιείτε ποτέ εργαλείο που έχει εξαρτήματα που έχουν υποστεί ζημιά.

Προειδοποίηση! Λειτουργήστε το εργαλείο με συνδεδήρες με ρυθμό όχι μεγαλύτερο από 30 φορές/λεπτό.

Για να λειτουργήσει το καρφωτικό

Προειδοποίηση! Το ταξίδι επαφής πρέπει να συμπίσει, ακολουθούμενο από ένα πλήρες τράβηγμα της σκανδάλης για κάθε καρφί που ακολουθείται από την απελευθέρωση τόσο της διαδρομής επαφής όσο και της σκανδάλης μετά από κάθε καρφί.

Προειδοποίηση! Η μπαταρία πρέπει πάντα να αφαιρείται και να ενεργοποιείται το κλειδίωμα της σκανδάλης όποτε γίνονται οποιοσδήποτε ρυθμίσεις ή όταν το εργαλείο δεν χρησιμοποιείται.

- ♦ Πιέστε πλήρως την επαφή επαφής στην επιφάνεια εργασίας.
- ♦ Τραβήξτε πλήρως τη σκανδάλη και ο κινητήρας θα ξεκινήσει. (το καρφί θα μπει στην επιφάνεια εργασίας).
- ♦ Απελευθερώστε τη σκανδάλη.
- ♦ Ανασηκώστε την επαφή από την επιφάνεια εργασίας.
- ♦ Επαναλάβετε τα παραπάνω 4 βήματα για την επόμενη εφαρμογή.

Προετοιμασία του εργαλείου

Προειδοποίηση! ΠΟΤΕ μην ψεκάζετε ή εφαρμόζετε με οποιονδήποτε άλλο τρόπο λάδι, λιπαντικά ή διαλύτες καθαρισμού στο εσωτερικό του εργαλείου. Αυτό μπορεί να επηρεάσει σοβαρά τη διάρκεια ζωής και την απόδοση του εργαλείου.

Προειδοποίηση! Η μπαταρία πρέπει πάντα να αφαιρείται και να ενεργοποιείται το κλειδίωμα της σκανδάλης όποτε γίνονται οποιοσδήποτε ρυθμίσεις ή όταν το εργαλείο δεν χρησιμοποιείται.

- ◆ Διαβάστε την ενότητα Οδηγίες ασφαλείας αυτού του χειριριδίου.
- ◆ Φοράτε προστατευτικά για τα μάτια και τα αυτιά.
- ◆ Αφαιρέστε την μπαταρία από το εργαλείο και φορτίστε πλήρως.
- ◆ Βεβαιωθείτε ότι ο γεμιστήρας είναι άδειος από όλους τους συνδετήρες.
- ◆ Ελέγξτε για ομαλή και σωστή λειτουργία των συγκροτημάτων διακοπής επαφής και ώθησης.Μην χρησιμοποιείτε το εργαλείο εάν κάποιο συγκρότημα δεν λειτουργεί σωστά.
- ◆ Κρατήστε το εργαλείο μακριά από τον εαυτό σας και τους άλλους.
- ◆ Τοποθετήστε πλήρως φορτισμένη μπαταρία.

Σωστή θέση χεριού (Εικ. G)

Προειδοποίηση! Για να μειώσετε τον κίνδυνο σοβαρού προσωπικού τραυματισμού, χρησιμοποιείτε ΠΙΑΝΤΑ τη σωστή θέση των χεριών όπως φαίνεται στο σχήμα G.

Προειδοποίηση! Για να μειώσετε τον κίνδυνο σοβαρού προσωπικού τραυματισμού, Η κρατάτε ΠΙΑΝΤΑ με ασφάλεια εν αναμονή μιας ξαφνικής αντίδρασης. Η σωστή θέση του χεριού απαιτεί το ένα χέρι στην κύρια λαβή.

Ρύθμιση βάθους (Εικ. Η)

Το βάθος κίνησης του συνδετήρα μπορεί να ρυθμιστεί χρησιμοποιώντας τον τροχό ρύθμισης βάθους (3) στο πλάι του εργαλείου.

Προειδοποίηση! Για να μειώσετε τον κίνδυνο σοβαρού τραυματισμού από τυχαία ενεργοποίηση κατά την προσπάθεια ρύθμισης του βάθους, Πάντα:

- ◆ Αφαιρέστε το πακέτο μπαταριών.
- ◆ Ενεργοποιήστε το κλειδώμα της σκανδάλης.
- ◆ Αποφύγετε την επαφή με τη σκανδάλη κατά τις ρυθμίσεις.

Οι ρυθμίσεις βάθους είναι σε συρόμενη κλίμακα (4). Η αριστερή πλευρά δείχνει το βαθύτερο και η δεξιά πλευρά που δείχνει το πιο ρηχό.

- ◆ Για να βάλετε ένα καρφί πιο βαθιά, περιστρέψτε τον τροχό ρύθμισης βάθους (3) προς τα κάτω. Αυτό θα σύρει την ένδειξη ρύθμισης βάθους (4) προς τα αριστερά στην κλίμακα.
- ◆ Για να καρφιώσετε πιο ρηχά, περιστρέψτε τον τροχό ρύθμισης βάθους (3) προς τα πάνω. Αυτό θα σύρει την ένδειξη ρύθμισης βάθους (4) προς τα δεξιά στην κλίμακα.

Φόρτωση και εκφόρτωση του εργαλείου (Εικ. I, J)

Προειδοποίηση! Κρατήστε το εργαλείο στραμμένο μακριά από τον εαυτό σας και τους άλλους. Μπορεί να προκληθεί σοβαρός τραυματισμός.

Προειδοποίηση! Ποτέ μην φορτώνετε τα καρφιά με ενεργοποιημένη την επαφή ή τη σκανδάλη.

Προειδοποίηση! Αφαιρέτε πάντα την μπαταρία πριν τοποθετήσετε ή ξεφορτώσετε τα καρφιά.

Προειδοποίηση! Η μπαταρία πρέπει πάντα να αφαιρείται και να ενεργοποιείται το κλειδώμα της σκανδάλης όποτε γίνονται οποιοσδήποτε ρυθμίσεις ή όταν το εργαλείο δεν χρησιμοποιείται.

Φόρτωση του εργαλείου

- ◆ Πατήστε το μάνταλο ώθησης (10) και τραβήξτε το γεμιστήρα προς τα κάτω.
- ◆ Τοποθετήστε τους συνδετήρες στο πλάι του γεμιστήρα. Βεβαιωθείτε ότι τα άκρα στερέωσης είναι τοποθετημένα προς το μπροστινό μέρος του γεμιστήρα, κάτω από τον οδηγό νυχιών (16) στο κανάλι νυχιών.
- ◆ Πιέστε το γεμιστήρα κλειστό μέχρι να ασφαλίσει στη θέση του.

Προειδοποίηση! Κρατήστε τα δάχτυλα μακριά από το σπρώξιμο για να αποφύγετε τραυματισμό.

Εκφόρτωση του εργαλείου

Προειδοποίηση! Η μπαταρία πρέπει πάντα να αφαιρείται και να ενεργοποιείται το κλειδώμα της σκανδάλης όποτε γίνονται οποιοσδήποτε ρυθμίσεις ή όταν το εργαλείο δεν χρησιμοποιείται.

- ◆ Πιέστε το μάνδαλο ώθησης νυχιών και τραβήξτε το γεμιστήρα προς τα κάτω.
- ◆ Ανασηκώστε το εργαλείο μέχρι τα καρφιά να γλιστρήσουν ελεύθερα έξω από το περιοδικό
- ◆ Ανοίξτε τη θύρα καθαρισμού μπλοκαρίσματος (7) στο ακροφύσιο για να βεβαιωθείτε ότι δεν έχουν απομείνει καρφιά.

Φώτα εργασίας (Εικ. Κ)

Υπάρχουν φώτα εργασίας (5) που βρίσκονται σε κάθε πλευρά του καρφωτού.

Τα φώτα εργασίας ανάβουν μόλις πιέσετε το ταξίδι επαφής.

Σημείωση: Αυτά τα φώτα εργασίας προορίζονται για το φωτισμό της άμεσης επιφάνειας εργασίας και δεν προορίζονται για χρήση ως φακοί.



Ένδειξη χαμηλής μπαταρίας:

Ο αριστερός προβολέας εργασίας θα αναβοσβήσει τέσσερις συνεχόμενες φορές και στη συνέχεια θα σβήσει για να δείξει χαμηλή μπαταρία.



Ένδειξη εμπλοκής νυχιών:

Ο προβολέας εργασίας της δεξιάς πλευράς θα αναβοσβήνει συνεχώς εάν ένα καρφί μπλοκάρει στο ακροφύσιο (δείτε Εκκαθάριση μπλοκαρισμένου καρφιού).

Απελευθέρωση πάγκου (Εικ.Λ)

Προειδοποίηση! Εάν προκύψει ακινητοποίηση, το εργαλείο θα απενεργοποιηθεί μόνο του και θα σας ζητήσει να το επαναφέρετε. Για να το κάνετε αυτό, ακολουθήστε τις οδηγίες για την εκκαθάριση μιας κατάστασης που έχει σταματήσει. Στη συνέχεια, αφαιρέστε την μπαταρία και, στη συνέχεια, τοποθετήστε ξανά τη μπαταρία. Το εργαλείο θα είναι πλέον λειτουργικό. Εάν το καρφωτικό χρησιμοποιείται σε αυστηρή εφαρμογή όπου όλα Η διαθέσιμη ενέργεια στον κινητήρα χρησιμοποιείται για την κίνηση ενός συνδετήρα, το εργαλείο μπορεί να σταματήσει. Η λεπίδα οδήγησης δεν ολοκλήρωσε τον κύκλο οδήγησης και η ένδειξη εμπλοκής/στάθμισης θα αναβοσβήσει.

Περιστρέψτε τον μοχλό απελευθέρωσης στάμπας (6) στο εργαλείο και ο μηχανισμός θα απελευθερωθεί όπως φαίνεται στο σχήμα Λ.

Σημείωση! Το εργαλείο θα απενεργοποιηθεί μόνο του και δεν θα επαναφερθεί μέχρι να αφαιρεθεί και να τοποθετηθεί ξανά η μπαταρία. Εάν η μονάδα συνεχίζει να ακινητοποιείται, ελέγξτε το υλικό και το μήκος του συνδετήρα για να βεβαιωθείτε ότι δεν είναι πολύ αυστηρή εφαρμογή. Αν ο οδηγός Η λεπίδα δεν επιστρέφει αυτόματα στην αρχική θέση μετά την περιστροφή του μοχλού απελευθέρωσης στάμπας, προχωρήστε στο «καθάρισμα ενός μπλοκαρισμένου καρφιού».

Καθαρίζοντας ένα μπλοκαρισμένο καρφί (Εικ.Μ, Ν)

Προειδοποίηση! Για να μειώσετε τον κίνδυνο προσωπικού τραυματισμού, αποσυνδέστε τη μπαταρία από το εργαλείο και ενεργοποιήστε το κλειδί της σκανδάλης πριν πραγματοποιήσετε συντήρηση ή καθαρισμό ενός μπλοκαρισμένου καρφιού.

Εάν μπλοκάρει ένα καρφί στη μύτη, κρατήστε το εργαλείο στραμμένο μακριά σας και ακολουθήστε αυτές τις οδηγίες για να καθαρίσετε:

- ◆ Αφαιρέστε τη μπαταρία από το εργαλείο και ενεργοποιήστε το κλειδί της σκανδάλης.
- ◆ Αφαιρέστε τυχόν φορτωμένα καρφιά. Αναρρέξτε στην ενότητα Φόρτωση και εκφόρτωση του εργαλείου.
- ◆ Ανασηκώστε το μάνταλο απομάκρυνσης εμπλοκής 7 και στη συνέχεια τραβήξτε το προς τα πάνω για να ανοίξετε την μπροστινή πόρτα 17 .
- ◆ Αφαιρέστε το λυγισμένο καρφί, χρησιμοποιώντας πένσα εάν χρειάζεται.
- ◆ Εάν η λεπίδα του οδηγού βρίσκεται στην κάτω θέση, κυκλώστε το μοχλό απελευθέρωσης στάθμευσης 6 χρησιμοποιώντας αρκετή δύναμη για να το σύρετε πλήρως στο άλλο άκρο της υποδοχής των περιβλημάτων.

- ◆ Κλείστε την μπροστινή πόρτα και ασφαλίστε τον πείρο ασφάλισης κάτω από τους δύο βραχίονες 18 στο μύτη. Σπρώξτε το μάνταλο μέχρι να ασφαλίσει στη θέση του.
- ◆ Τοποθετήστε ξανά την μπαταρία.

Προειδοποίηση! Εάν παρουσιαστεί εμπλοκή, το εργαλείο θα απενεργοποιηθεί μόνο του και θα σας ζητήσει να το επαναφέρετε. Για να το κάνετε αυτό, ακολουθήστε τις οδηγίες για το καθαρίσμα του μπλοκαρισμένου νυχιού. Στη συνέχεια, αφαιρέστε την μπαταρία και, στη συνέχεια, τοποθετήστε ξανά τη μπαταρία. Το εργαλείο θα είναι πλέον λειτουργικό.

Σημείωση! Σε περίπτωση που τα καρφιά συνεχίσουν να μπλοκάρουν συχνά κατά τη διαδρομή επαφής, αναθέστε το σέρβις του εργαλείου σε εξουσιοδοτημένο κέντρο σέρβις STANLEY FATMAX.

Λειτουργία Ψυχρού Καιρού

Όταν χρησιμοποιείτε εργαλεία σε θερμοκρασίες κάτω από το μηδέν:

- ◆ Διατηρήστε το εργαλείο όσο το δυνατόν πιο ζεστό πριν το χρησιμοποιήσετε.
- ◆ Ενεργοποιήστε το εργαλείο 5 ή 6 φορές σε σκραπ ζυλίας πριν το χρησιμοποιήσετε.

Λειτουργία ζεστού καιρού

Το εργαλείο πρέπει να λειτουργεί κανονικά. Ωστόσο, κρατήστε το εργαλείο μακριά από το άμεσο ηλιακό φως, καθώς η υπερβολική θερμότητα μπορεί να αλλοιώσει τους προφυλακτήρες και άλλα ελαστικά μέρη με αποτέλεσμα την αυξημένη συντήρηση.

No-mar tip (Εικ.Ο)

Το εργαλείο είναι εξοπλισμένο με μια ρεζέρβα no-mar (19) που βρίσκεται στο πλάι του γεμιστήρα νυχιών.

Για να αντικαταστήσετε το μαζιλαράκι no-mar, απλώς τραβήξτε το παλιό επίθεμα no-mar και τοποθετήστε ξανά το νέο επίθεμα no-mar στην επαφή επαφής (8).

Ανταλλακτικά

Προειδοποίηση! Για να μειώσετε τον κίνδυνο προσωπικού τραυματισμού, αποσυνδέστε τη μπαταρία από το εργαλείο και ενεργοποιήστε το κλειδί της σκανδάλης πριν πραγματοποιήσετε συντήρηση ή καθαρίσετε ένα μπλοκαρισμένο καρφί.

Το εργαλείο είναι εξοπλισμένο με μια ανταλλακτική άκρη no mar που βρίσκεται στο πλάι του γεμιστήρα νυχιών.

Χρησιμοποιείτε μόνο πανομοιότυπα ανταλλακτικά. Για μια λίστα ανταλλακτικών ή για να παραγγείλετε ανταλλακτικά, επισκεφτείτε τον ιστότοπο σέρβις μας στη διεύθυνση www.stanley.eu/3co.uk. Μπορείτε επίσης να παραγγείλετε ανταλλακτικά από το πλησιέστερο STANLEY FATMAX Factory Service Center ή STANLEY FATMAX Εξουσιοδοτημένη Εγγύηση.

Εξαρτήματα

Προειδοποίηση! Επειδή τα αξεσουάρ, εκτός από αυτά που προσφέρει η STANLEY FATMAX, δεν έχουν δοκιμαστεί με αυτό το προϊόν, η χρήση τέτοιων εξαρτημάτων με αυτό το εργαλείο μπορεί να είναι επικίνδυνη. Για να μειωθεί ο κίνδυνος τραυματισμού, μόνο τα συνιστώμενα αξεσουάρ STANLEY FATMAX θα πρέπει να χρησιμοποιούνται με αυτό το προϊόν. Τα συνιστώμενα εξαρτήματα για χρήση με το εργαλείο σας είναι διατίθενται με επιπλέον κόστος από τον τοπικό σας αντιπρόσωπο ή εξουσιοδοτημένο κέντρο εξπηρέτησης.

Αντιμετώπιση προβλημάτων

Εάν η συσκευή σας φαίνεται να μην λειτουργεί σωστά, ακολουθήστε τις παρακάτω οδηγίες.

Εάν αυτό δεν λύσει το πρόβλημα, επικοινωνήστε με τον τοπικό αντιπρόσωπο επισκευών STANLEY FATMAX.

Προειδοποίηση! Πριν συνεχίσετε, αποσυνδέστε τη συσκευή από την πρίζα.

Πρόβλημα	Πιθανή αιτία	Πιθανή λύση
Η μονάδα δεν θα ξεκινήσει.	Η μπαταρία δεν έχει τοποθετηθεί σωστά. Η μπαταρία δεν φορτίζεται. Το κλειδί της σκανδάλης είναι αραβωνιασμένο.	Ελέγξτε την εγκατάσταση της μπαταρίας. Ελέγξτε τις απαιτήσεις φόρτισης της μπαταρίας. Απενεργοποιήστε το κλειδί της σκανδάλης.
Το εργαλείο όχι ενεργοποίηση. (Προβολείς αναμμένοι, ο κινητήρας δεν λειτουργεί)	Ο κινητήρας σταματά να λειτουργεί μετά από 2 δευτερόλεπτα.	Κανονική λειτουργία; απελευθερώστε τη σκανδάλη ή την επαφή και πιέστε ξανά.
Το εργαλείο δεν ενεργοποιείται. (Οι προβολείς αναβοσβήνουν)	Χαμηλή φόρτιση μπαταρίας ή κατεστραμμένη μπαταρία.	Φορτίστε ή αντικαταστήστε την μπαταρία.
Το εργαλείο δεν ενεργοποιείται. (Οι προβολείς αναβοσβήνουν συνεχώς)	Μπλοκαρισμένο κομμάτι / εργαλείο ακινητοποιημένο. Μπλοκαρισμένος μηχανισμός	Αφαιρέστε την μπαταρία, περιστρέψτε το μοχλό απελευθέρωσης στάμπας. Καθαρίστε το μπλοκαρισμένο σύνδεσμο και τοποθετήστε ξανά τη μπαταρία. Ανατρέξτε στο εξουσιοδοτημένο κέντρο σέρβις.
Το εργαλείο δεν ενεργοποιείται. (Οι προβολείς αναμμένοι, ο κινητήρας λειτουργεί, η λεπίδα του οδηγού έχει κολλήσει)		Ανατρέξτε στο εξουσιοδοτημένο κέντρο σέρβις.

Πρόβλημα	Πιθανή αιτία	Πιθανή λύση
Το εργαλείο λειτουργεί, αλλά λειτουργεί μην οδηγεί πλήρως τον συνδετήρα.	Χαμηλή φόρτιση μπαταρίας ή κατεστραμμένη μπαταρία. Η ρύθμιση βάθους είναι πολύ ρηχή. Το εργαλείο δεν εφαρμόζεται σταθερά στο τεμάχιο εργασίας. Το υλικό και το μήκος του συνδετήρα είναι πολύ αυστηρή εφαρμογή.	Φορτίστε ή αντικαταστήστε την μπαταρία. Περιστρέψτε τον τροχό ρύθμισης βάθους στο ένα βαθύτερο σκηνικό. Διαβάστε το εγχειρίδιο οδηγιών. Επιλέξτε κατάλληλο υλικό ή μήκος συνδετήρα.

Συντήρηση

Η ενσύρματη/ασύρματη συσκευή/εργαλείο STANLEY FATMAX έχει σχεδιαστεί για να λειτουργεί για μεγάλο χρονικό διάστημα με ελάχιστη συντήρηση. Η συνεχής ικανοποιητική λειτουργία εξαρτάται από τη σωστή φροντίδα του εργαλείου/ συσκευής και τον τακτικό καθαρισμό.

Προειδοποίηση! Απενεργοποιήστε και αποσυνδέστε τη συσκευή από την πρίζα πριν κάνετε οποιοδήποτε καθαρισμό.

- ◆ Η βρωμιά και τα λίπη μπορούν να αφαιρεθούν από το εξωτερικό της συσκευής χρησιμοποιώντας ένα πανί.

Προειδοποίηση! ΠΟΤΕ μην χρησιμοποιείτε διαλύτες ή άλλα σκληρά χημικά για τον καθαρισμό των μη μεταλλικών μερών της συσκευής. Αυτά τα χημικά μπορεί να αποδυναμώσουν τα υλικά που χρησιμοποιούνται σε αυτά τα μέρη.

Χρησιμοποιήστε ένα πανί βρεγμένο μόνο με νερό και ήπιο σαπούνι. Μην αφήνετε ποτέ υγρό να μπει μέσα στη μονάδα. ποτέ μην βυθίζετε κανένα μέρος της μονάδας σε υγρό.

Προειδοποίηση! ΠΟΤΕ μην ψεκάζετε ή εφαρμόζετε με οποιοδήποτε άλλο τρόπο λιπαντικά ή καθαριστικά μέσα στο εργαλείο. Αυτό μπορεί να επηρεάσει σοβαρά τη διάρκεια ζωής και την απόδοση του εργαλείου.

Σημειώσεις Υπηρεσιών

Αυτό το προϊόν δεν μπορεί να επισκευαστεί από τον χρήστη. Δεν υπάρχουν εξαρτήματα που μπορούν να επισκευαστούν από το χρήστη μέσα στο καρφωτικό. Απαιτείται σέρβις σε εξουσιοδοτημένο κέντρο σέρβις για την αποφυγή ζημιών σε ευαίσθητα στατικά εσωτερικά εξαρτήματα.

Προστατεύοντας το περιβάλλον



Ξεχωριστή συλλογή. Τα προϊόντα και οι μπαταρίες που φέρουν αυτό το σύμβολο δεν πρέπει να απορρίπτονται μαζί με τα συνηθισμένα οικιακά απορρίμματα.

Τα προϊόντα και οι μπαταρίες περιέχουν υλικά που μπορούν να ανακτηθούν ή να ανακυκλωθούν μειώνοντας τη ζήτηση για πρώτες ύλες. Ανακυκλώστε τα ηλεκτρικά προϊόντα και τις μπαταρίες σύμφωνα με τις τοπικές διατάξεις. Περισσότερες πληροφορίες είναι διαθέσιμες στο www.2helpU.com

Τεχνικά δεδομένα

		SFMCN618 Type:1
Τάση ηλεκτρικού ρεύματος	V_{DC}	18
Τύπος Μπαταρίας		Li-Ion
Λειτουργία ενεργοποίησης		Sequential
Magazine angle		Straight
Χωρίς ταχύτητα φόρτωσης	/min	9000
Οδηγήστε ενέργεια	approx	50J
Βάρος (γυμνό εργαλείο)	kg	2,43

Fasteners			
Μήκος	mm		16 - 50
Shank diameter	mm		1,27
Angle			Straight

Αυτό το εργαλείο είναι μια μονάδα Bare, αλλά μπορεί να χρησιμοποιηθεί με τους φορτιστές στον παρακάτω πίνακα.

Φορτιστής		SFMCB10	SFMCB11	SFMCB12	SFMCB14
Τάση εισόδου	V_{AC}	230	230	230	230
Τάση εξόδου	V_{DC}	18	18	18	18
τρέχον	A	1,25	1,25	2	4

Αυτό το εργαλείο είναι μια μονάδα Bare, αλλά μπορεί να χρησιμοποιηθεί με τις μπαταρίες στον παρακάτω πίνακα.

Μπαταρία		SFMCB201	SFMCB202	SFMCB204	SFMCB206
Τάση ηλεκτρικού ρεύματος	V_{DC}	18	18	18	18
Χωρητικότητα	Ah	1,5	2,0	4,0	6,0
Type		Li-Ion	Li-Ion	Li-Ion	Li-Ion

Επίπεδο ηχητικής πίεσης σύμφωνα με το EN60745:	
Ηχητική πίεση (L_{pA})	84 dB(A), αβεβαιότητα (K) 3 dB(A)
Ηχητική ισχύς (L_{WA})	95 dB(A), αβεβαιότητα (K) 3 dB(A)

Συνολικές τιμές κραδασμών (τριαξονικό διανυσματικό άθροισμα) σύμφωνα με το EN60745:	
Συρραπτικά νύχια (a_h)	2,8 m/s^2 , αβεβαιότητα (K) 1,8 m/s^2

Δήλωση συμμόρφωσης ΕΚ

ΟΔΗΓΙΑ ΜΗΧΑΝΗΜΑΤΩΝ



SFMCN618 - Ασύρματο καρφωτικό

Η STANLEY FATMAX δηλώνει ότι αυτά τα προϊόντα που περιγράφονται παρακάτω 2006/42/EC; EN 60745-1:2009 + A11:2010; EN 60745-2-16:2010

Αυτά τα προϊόντα συμμορφώνονται επίσης με την Οδηγία 2014/30/EU and 2011/65/EU. Για περισσότερες πληροφορίες, επικοινωνήστε με το STANLEY FATMAX στην ακόλουθη διεύθυνση ή ανατρέξτε στο πίσω μέρος του εγχειριδίου.

Για περισσότερες πληροφορίες, επικοινωνήστε με το STANLEY FATMAX στην ακόλουθη διεύθυνση ή ανατρέξτε στο πίσω μέρος του εγχειριδίου.

Ο κάτωθι υπογεγραμμένος είναι υπεύθυνος για τη σύνταξη του τεχνικού φακέλου και κάνει αυτή τη δήλωση για λογαριασμό του STANLEY FATMAX.

Patrick Diepenbach Patrick Diepenbach
General Manager, Benelux
STANLEY FATMAX,
Egide Walschaertsstraat 14-18
2800 Mechelen, Βέλγιο
30/05/2023

Εγγυητής

Η STANLEY FATMAX είναι σίγουρη για την ποιότητα των προϊόντων της και προσφέρει στους καταναλωτές εγγύηση 12 μηνών από την ημερομηνία της αγοράς.

Αυτή η εγγύηση προστίθεται και σε καμία περίπτωση δεν προδικάζει τα θεσμοθετημένα δικαιώματά σας. Η εγγύηση ισχύει εντός των εδαφών των κρατών μελών της Ευρωπαϊκής Ένωσης και της Ευρωπαϊκής Ζώνης Ελεύθερων Συναλλαγών και του Ηνωμένου Βασιλείου.

Για να διεκδικήσετε την εγγύηση, η αξίωση πρέπει να είναι σύμφωνη με τους Όρους και τις Προϋποθέσεις της STANLEY FATMAX και θα πρέπει να υποβάλετε απόδειξη αγοράς στον πωλητή ή σε εξουσιοδοτημένο αντιπρόσωπο επισκευών. Μπορείτε να βρείτε τους όρους και τις προϋποθέσεις της εγγύησης STANLEY FATMAX 1 έτους και την τοποθεσία του πλησιέστερου εξουσιοδοτημένου αντιπροσώπου επισκευής στο Διαδίκτυο στη διεύθυνση www.2helpU.com ή επικοινωνώντας με το τοπικό γραφείο STANLEY FATMAX στη διεύθυνση που αναφέρεται σε αυτό το εγχειρίδιο. Επισκεφθείτε τον ιστότοπό μας www.stanley.eu/3 για να εγγραφείτε το νέο σας προϊόν STANLEY FATMAX και λάβετε ενημερώσεις για νέα προϊόντα και ειδικές προσφορές.

België/Belgique	Stanley Fat Max E.Walschaertstraat 14-16 2800 Mechelen Belgium	De.Tel. +32 70 220 065 Fr.Tel. +32 70 220 066 Fax +32 15 473 799 www.stanleytools.eu Enduser.be@SBDinc.com
Danmark	Stanley Fat Max Farveland 1B 2600 Glostrup	Tel. 70 20 15 10 Fax 70 22 49 10 www.stanleyworks.dk
Deutschland	Stanley Fat Max Richard Klinger Str.11, D - 65510 Idstein	Tel. 06126 21-1 Fax 06126 21-2770
Ελλάδα	Stanley Fat Max. Στράβωνος 7 & Λεωφ.Βουλιαγμένης 159 Γλυφάδα 166 74 - Αθήνα	Τηλ. +30 210 8981-616 Φαξ +30 210 8983-285 www.stanleyworks.gr
España	Stanley Fat Max. Parc de Negocis "Mas Blau" Edificio Muntadas, c/Bergadá, 1, Of.A6 08820 El Prat de Llobregat (Barcelona)	Tel. 934 797 400 Fax 934 797 419 respuesta.postventa@sbdinc.com www.stanleyworks.es
France	Stanley Fat Max 62 chemin de la Bruyère 69570 Dardilly, France	Tel. 04 72 20 39 20 Fax 04 72 20 39 00 www.stanleyoutillage.fr
Helvetia	Stanley Fat Max In der Luberzen 40 8902 Urdorf	Tel. 01 730 67 47 Fax 01 730 70 67 www.stanleyworks.de
Italia	Stanley Fat Max Energypark-Building 03 sud, Via Monza 7/A 20871 Vimercate (MB)	Tel. 039-9590200 Fax 039-9590313 www.stanley.it
Nederland	Stanley Fat Max Joulehof 12, 4600 RG Bergen op Zoom	Tel. +31 164 283 065 Fax +31 164 283 200 Enduser.NL@SBDinc.com
Norge	Stanley Fat Max Postboks 4613, Nydalen 0405 Oslo	Tlf. 45 25 13 00 Fax 45 25 08 00
Österreich	Stanley Fat Max Oberlaaerstraße 248, A-1230 Wien	Tel. 01 66116-0 Fax 01 66116-614 www.stanleyworks.de
Portugal	Stanley Fat Max Centro de Escritórios de Sintra Avenida Almirante Gago Coutinho, 132/134, Edifício 142710-418 Sintra 2710-418 Lisboa	Tel. 214667500 Fax 214667575 resposta.posvenda@sbdinc.com
Suomi	Stanley Fat Max Tekniikantie 12, 02150 Espoo	Puh. 010 400 430 Faksi 0800 411 340 www.stanleyworks.fi
Sverige	Stanley Fat Max Box 94, 431 22 Mölndal	Tel. 031-68 61 00 Fax 031-68 60 08
Türkiye	Stanley Fat Max KALE Hirdavat ve Makina A.Ş. Defterdar Mah. Savaklar Cad.No:15 Edirnekapı / Eyüp / İSTANBUL 34050	Puh. 0212 533 52 55 Faks 0212 533 10 05 www.stanleyworks.fi
United Kingdom	Stanley Fat Max 270 Bath Road Slough, Berkshire SL1 4DX	Tel. +44 (0)1753 511234 Fax +44 (0)1753 551155 www.stanleytools.co.uk
Middle East & Africa	Stanley Fat Max P.O.Box - 17164 Jebel Ali (South Zone), Dubai, UAE	Tel. +971 4 8127400 Fax +971 4 8127036 www.stanleyworks.ae
Australia & New Zealand	Stanley Black & Decker 810 Whitehorse Road Box Hill VIC 3128, Australia	Tel. 1800 338 002 (Aus) Tel. 0800 339 258 (NZ) www.stanleytools.com.au www.stanleytools.co.nz